



US00D925104S

(12) **United States Design Patent**
Mattingly

(10) **Patent No.:** **US D925,104 S**
(45) **Date of Patent:** **** Jul. 13, 2021**

(54) **ADJUSTABLE LAMPS AND COVERS FOR THE SAME**

(71) Applicant: **Mattingly Low Vision, Inc.**, El Paso, TX (US)

(72) Inventor: **Sean Mattingly**, El Paso, TX (US)

(73) Assignee: **Mattingly Low Vision, Inc.**, El Paso, TX (US)

(**) Term: **15 Years**

(21) Appl. No.: **29/686,495**

(22) Filed: **Apr. 4, 2019**

(51) **LOC (13) Cl.** **26-03**

(52) **U.S. Cl.**
USPC **D26/118**

(58) **Field of Classification Search**
USPC D26/93, 106, 107, 108, 118, 113
(Continued)

(56) **References Cited**

U.S. PATENT DOCUMENTS

D862,759 S * 10/2019 Mo D26/65
D883,551 S * 5/2020 Waldmann D26/65
(Continued)

Primary Examiner — Brian N. Vinson

(74) *Attorney, Agent, or Firm* — Norton Rose Fulbright US LLP

(57) **CLAIM**

The ornamental designs for adjustable lamps and covers for the same, as shown and described.

DESCRIPTION

FIG. 1 is a perspective view of a first desk lamp that includes a first embodiment of my designs shown in a first position, the first desk lamp including a first arm extending between a pedestal base and a first hinge, and a second arm having

a first portion connected to the first arm via the first hinge and a second portion that is farther from the first hinge than is the first portion and is rotatable relative to the first portion about an axis that is parallel to the length of the second arm.

FIG. 2 is a perspective view the first embodiment;

FIG. 3 is a left side view of the first embodiment;

FIG. 4 is a right side view of the first embodiment;

FIG. 5 is a front view of the first embodiment;

FIG. 6 is a back view of the first embodiment; and

FIG. 7 is a top view of the first embodiment.

FIG. 8 is a perspective view of a floor lamp that includes the first embodiment shown in a second position, the floor lamp having a first arm, a first hinge, and a second arm that are the same as the first arm, the first hinge, and the second arm of the first desk lamp, respectively, except that, in the floor lamp: (a) the first arm is connected to a pedestal base via a third arm (that can have a rectangular cross-sectional perimeter) that extends between the pedestal base and a second hinge (that can be the same as the first hinge) to which the first arm is coupled; and (b) the first and second arms and the first and second portions of the second arm are shown in different relative orientations (and therefore, the first embodiment is shown in the second position).

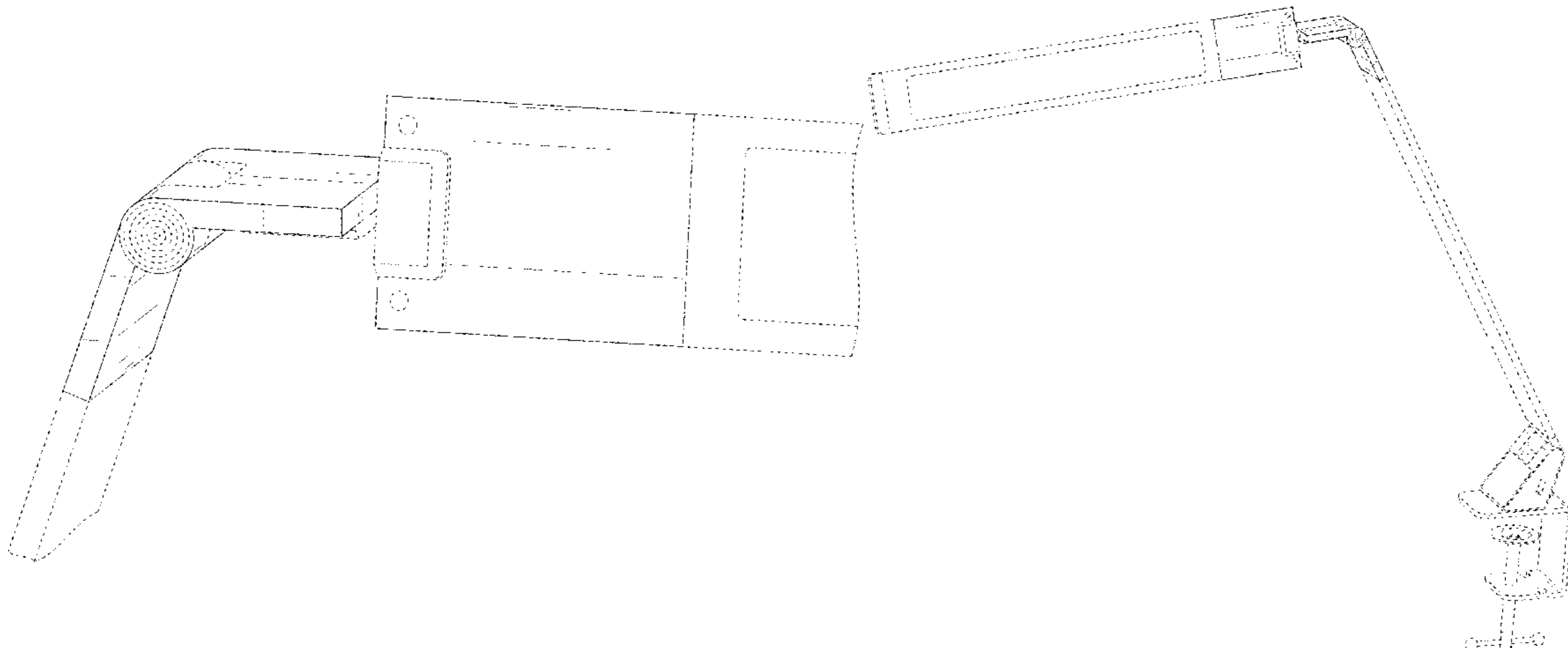
FIG. 9 is a perspective view of a second desk lamp that includes the first embodiment shown in a third position, the second desk lamp having a first arm, a first hinge, and a second arm that are the same as the first arm, the first hinge, and the second arm of the first desk lamp, respectively, except that, in the second desk lamp: (1) the first arm is connected to a clamp—rather than pedestal—base; and (2) the first and second arms and the first and second portions of the second arm are shown in different relative orientations (and therefore, the first embodiment is shown in the third position).

The first embodiment extends to—but does not include—the dash-dot boundary lines drawn around the first and second arms and the dash-dot boundary lines disposed between the first and second portions of the second arm.

The first embodiment may be positionable in one or more positions in addition to the first, second, and third positions, such additional positions including:

1. an orientation of the first arm relative to the second arm in which the first and second arms are parallel to and overlap

(Continued)



one another (“parallel orientation”), and an orientation in which the first and second arms are angularly disposed relative to one another from the parallel orientation (e.g., in a direction from their relative orientation shown in FIG. 1 to their relative orientation shown in FIG. 8) by an angle that is any one of, or between any two of: 5, 10, 15, 20, 25, 30, 35, 40, 45, 50, 55, 60, 65, 70, 75, 80, 85, 90, 95, 100, 105, 110, 115, 120, 125, 130, 135, 140, 145, 150, 155, 160, 165, 170, 175, 180, 185, 190, 195, 200, 205, 210, 215, 220, 225, or 230 degrees; and

2. an orientation of the second portion of the second arm relative to the first portion of the second arm in which the second portion is flush with the first portion (“flush orientation”), and an orientation in which the first and second portions are angularly disposed relative to one another from the flush orientation (e.g., in a direction from their relative orientation shown in FIG. 1 to their relative orientation shown in FIG. 8 or an opposite direction) by an angle that is any one of, or between any two of: 5, 10, 15, 20, 25, 30, 35, 40, 45, 50, 55, 60, 65, 70, 75, 80, 85, 90, 95, 100, 105, 110, 115, 120, 125, 130, or 135 degrees.

Also disclosed are embodiments of my designs that—though otherwise the same as the first embodiment—are positionable in one or more of the first, second, and third positions and/or in one or more of the additional positions identified above.

While not currently claimed, the features shown in dashed lines are in my possession, and I reserve the right to claim one or more of those features in this and/or in one or more future applications. Such features include but are not limited to:

1. any currently unclaimed portion of the first arm and any currently unclaimed portion of the second arm, up to and including all of the first arm and/or all of the second arm, as

well as a varying length for either or both of the first arm and the second arm, which I may indicate in each instance using break line(s);

2. the second hinge, including the same features that I currently claim for the first hinge;

3. any portion of the third arm, up to and including all of the third arm, as well as a varying length for the third arm, which I may indicate using break line(s);

4. the light that is shown as a rectangle on the second portion of the second arm with its longest sides extending along the length of the second arm as well as the portion of the second arm that surrounds it.

The dashed lines in the figures form no part of the claimed designs. Surface shading in the figures is provided solely to indicate contour. Any surfaces or portions of my adjustable lamps not shown in the figures or otherwise described in the specification form no part of the claimed designs.

1 Claim, 8 Drawing Sheets

(58) **Field of Classification Search**

CPC . F21S 6/002; F21V 1/00; F21V 21/02; F21W 2131/30

See application file for complete search history.

(56)

References Cited

U.S. PATENT DOCUMENTS

D907,838 S *	1/2021	Hood	D26/107
D911,588 S *	2/2021	Tan	D26/107
2013/0343806 A1 *	12/2013	Ng	F21V 21/26 403/120
2020/0355359 A1 *	11/2020	Pan	H05B 47/115

* cited by examiner

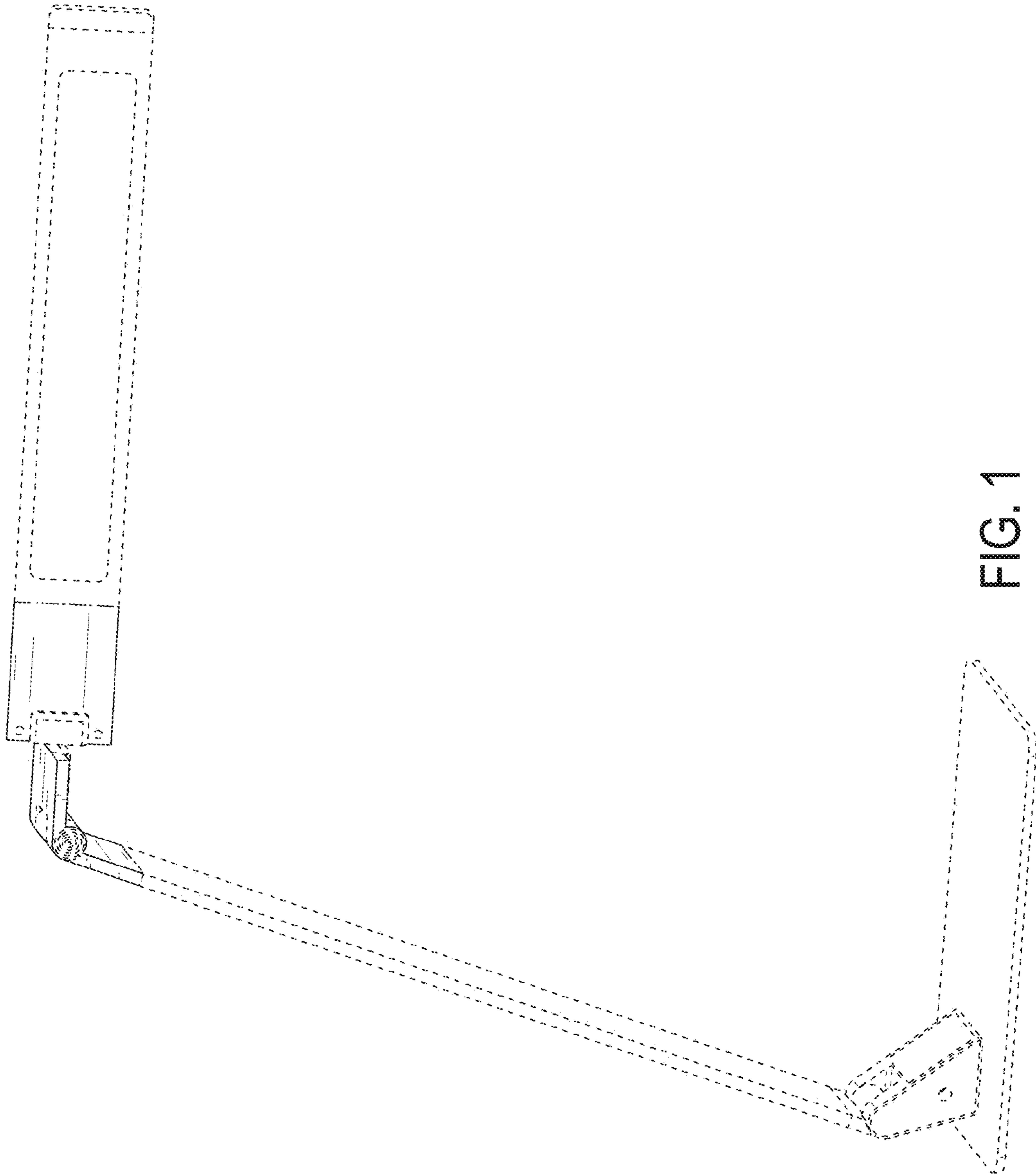


FIG. 1

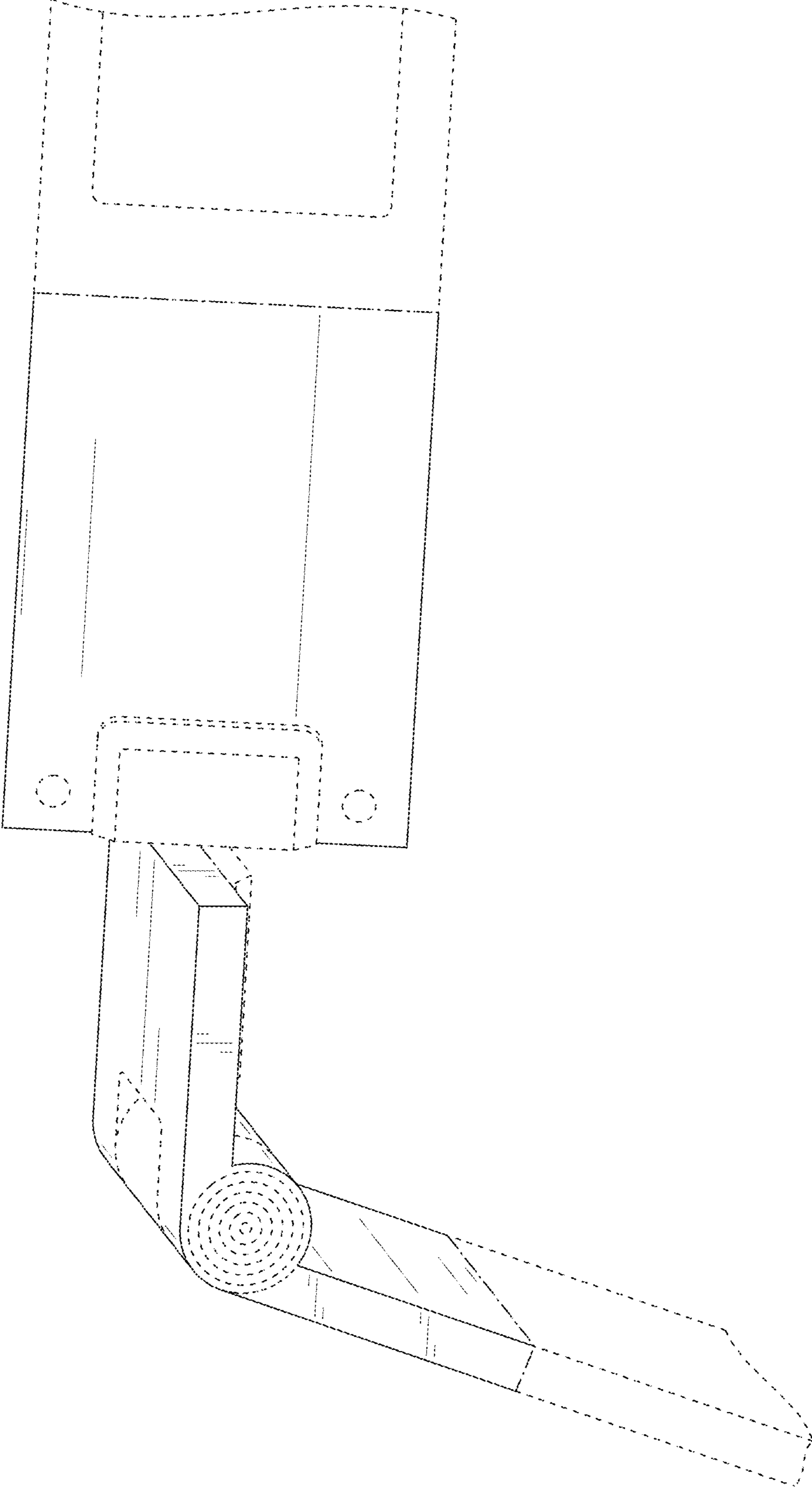


FIG. 2

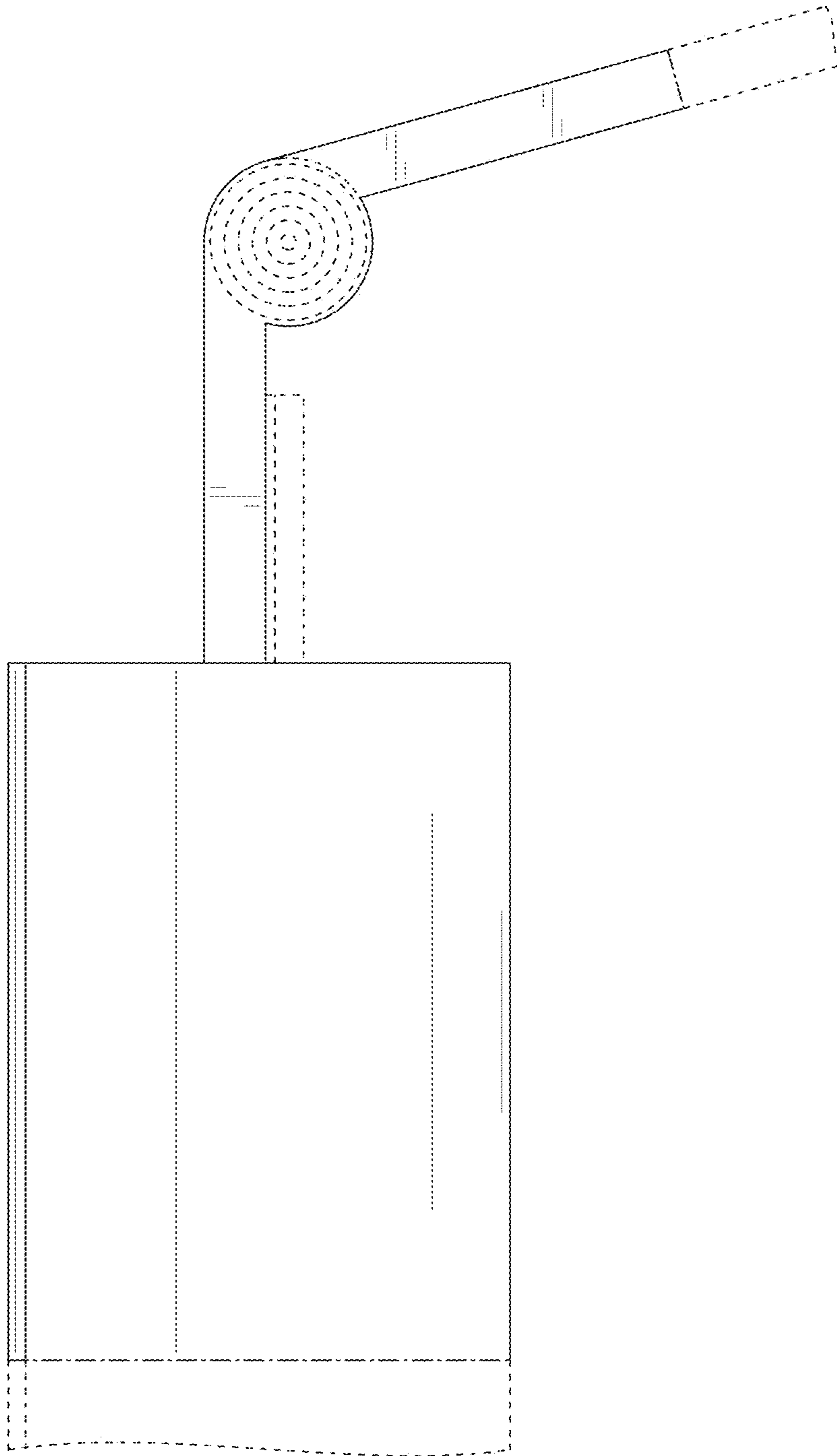


FIG. 3

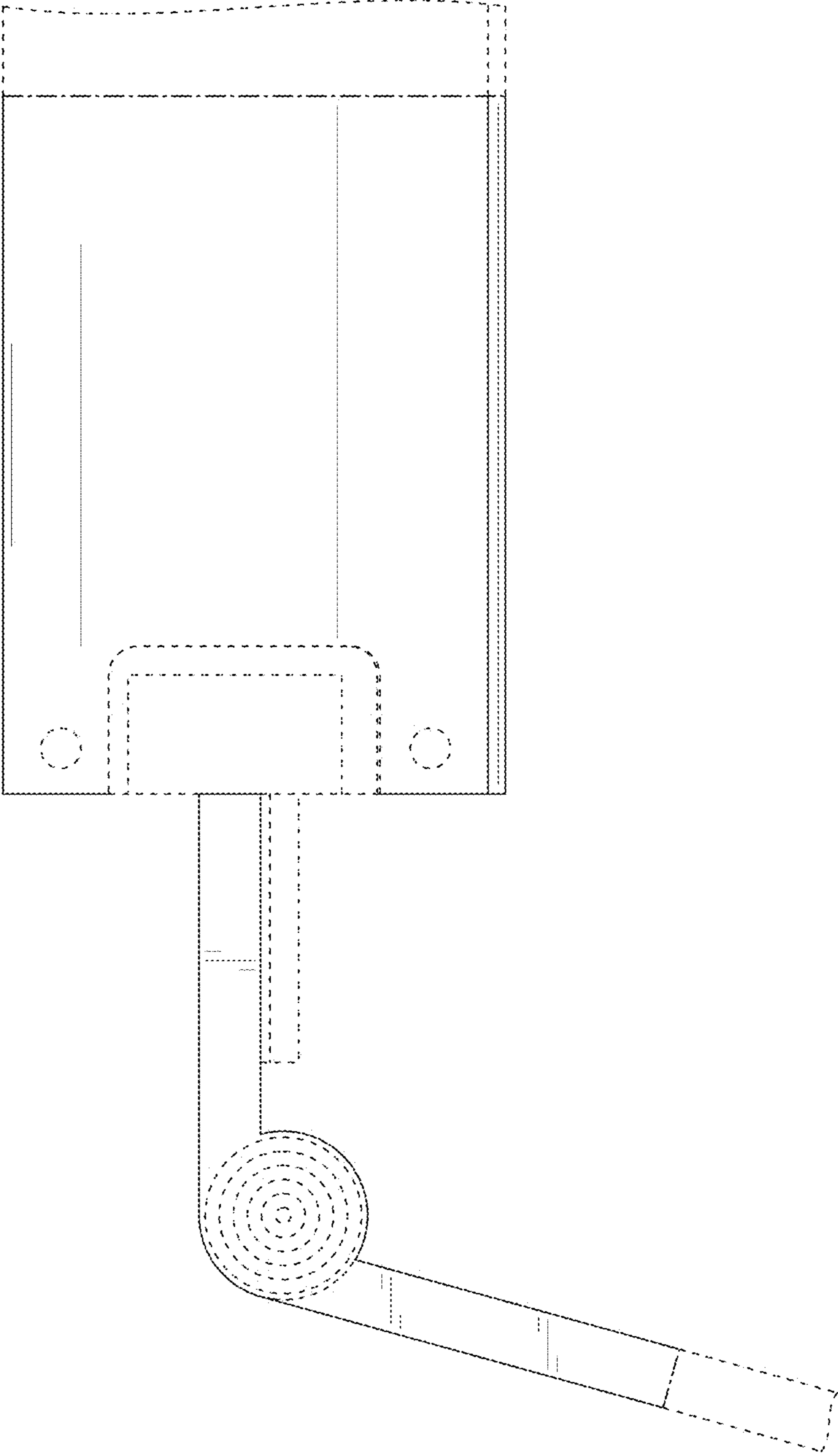


FIG. 4

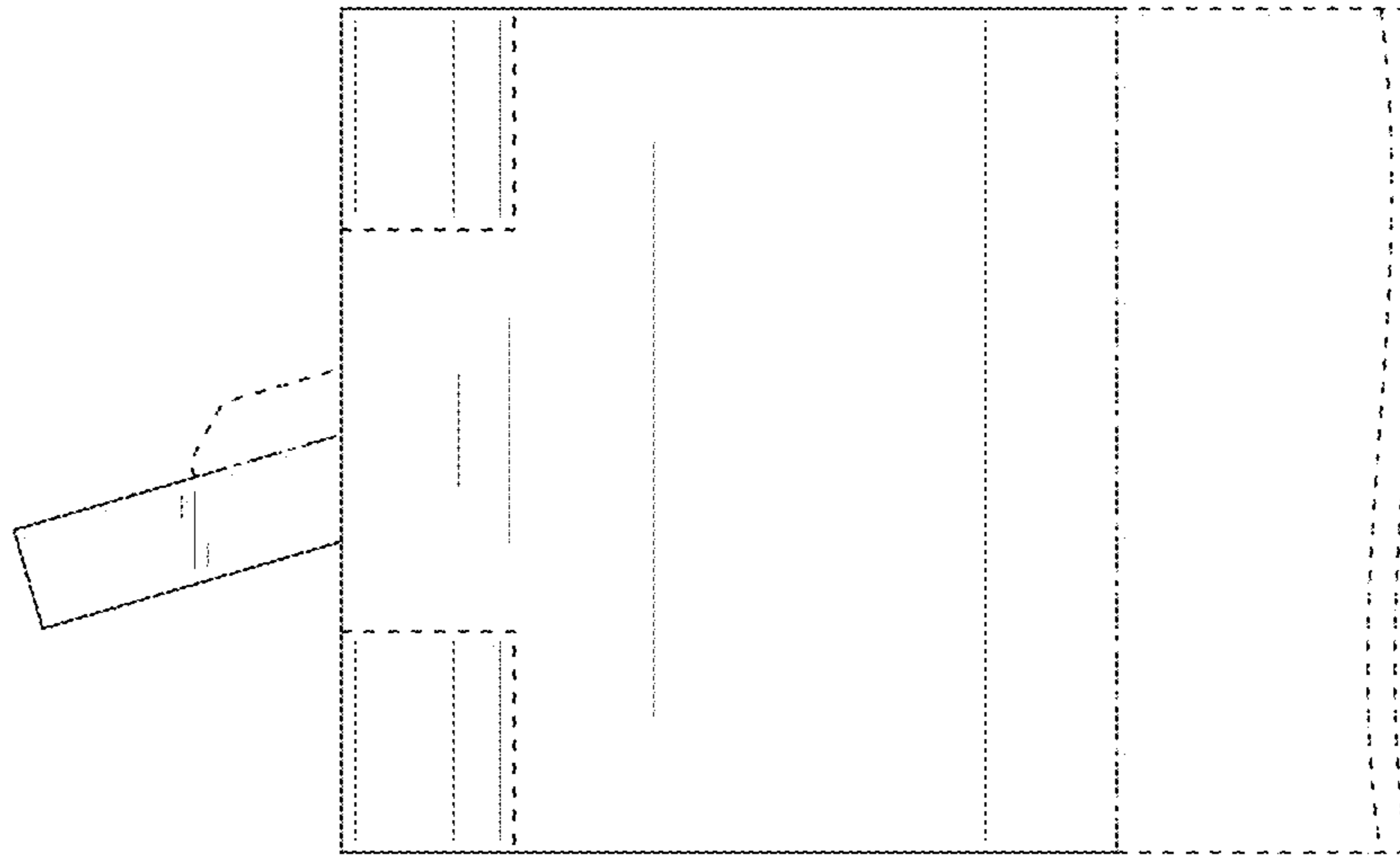


FIG. 5

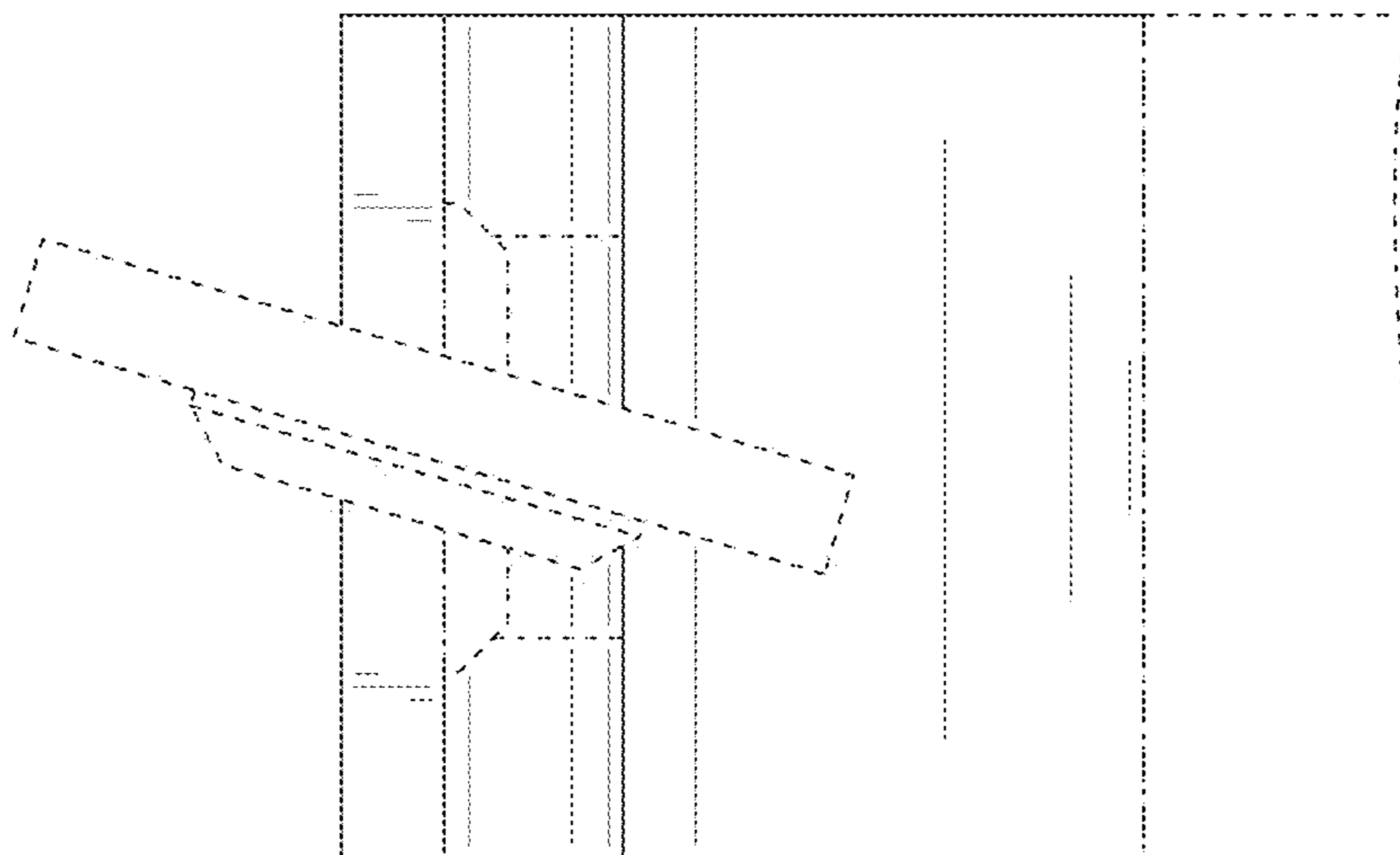


FIG. 6

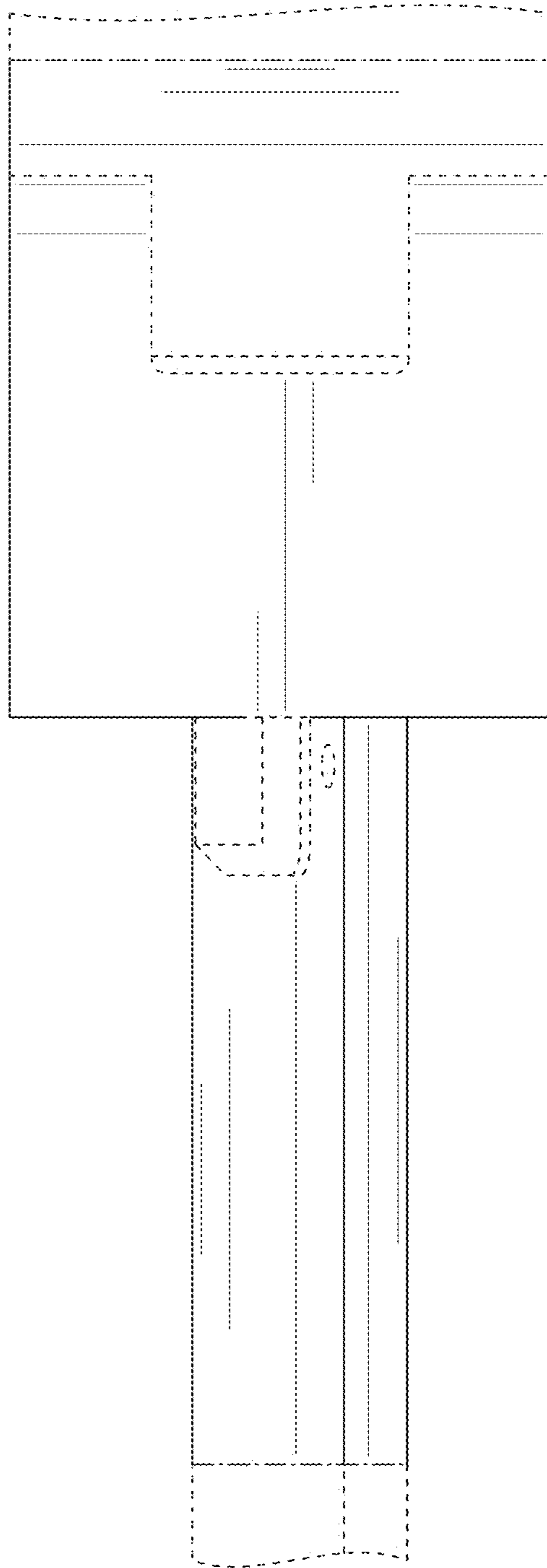


FIG. 7

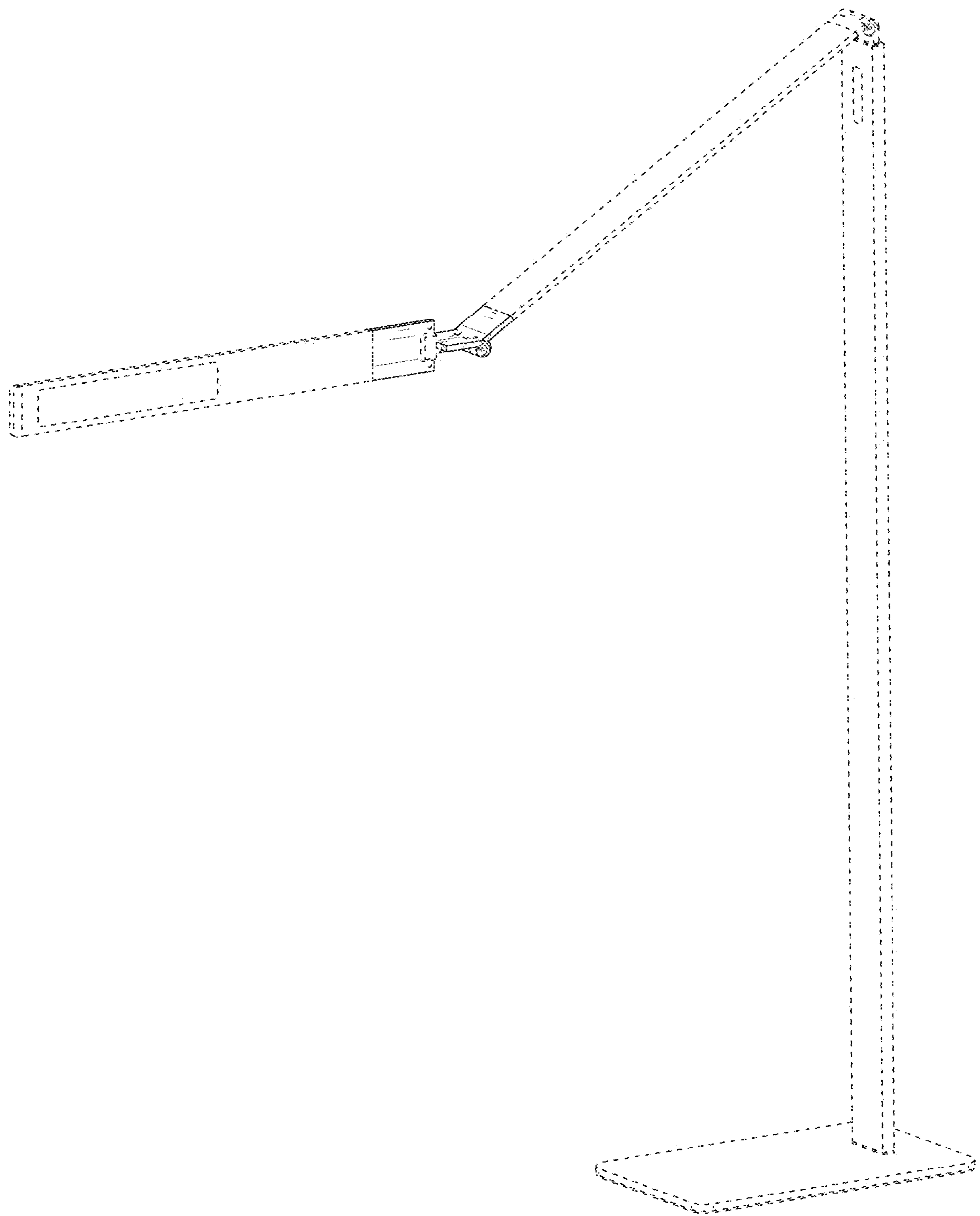


FIG. 8

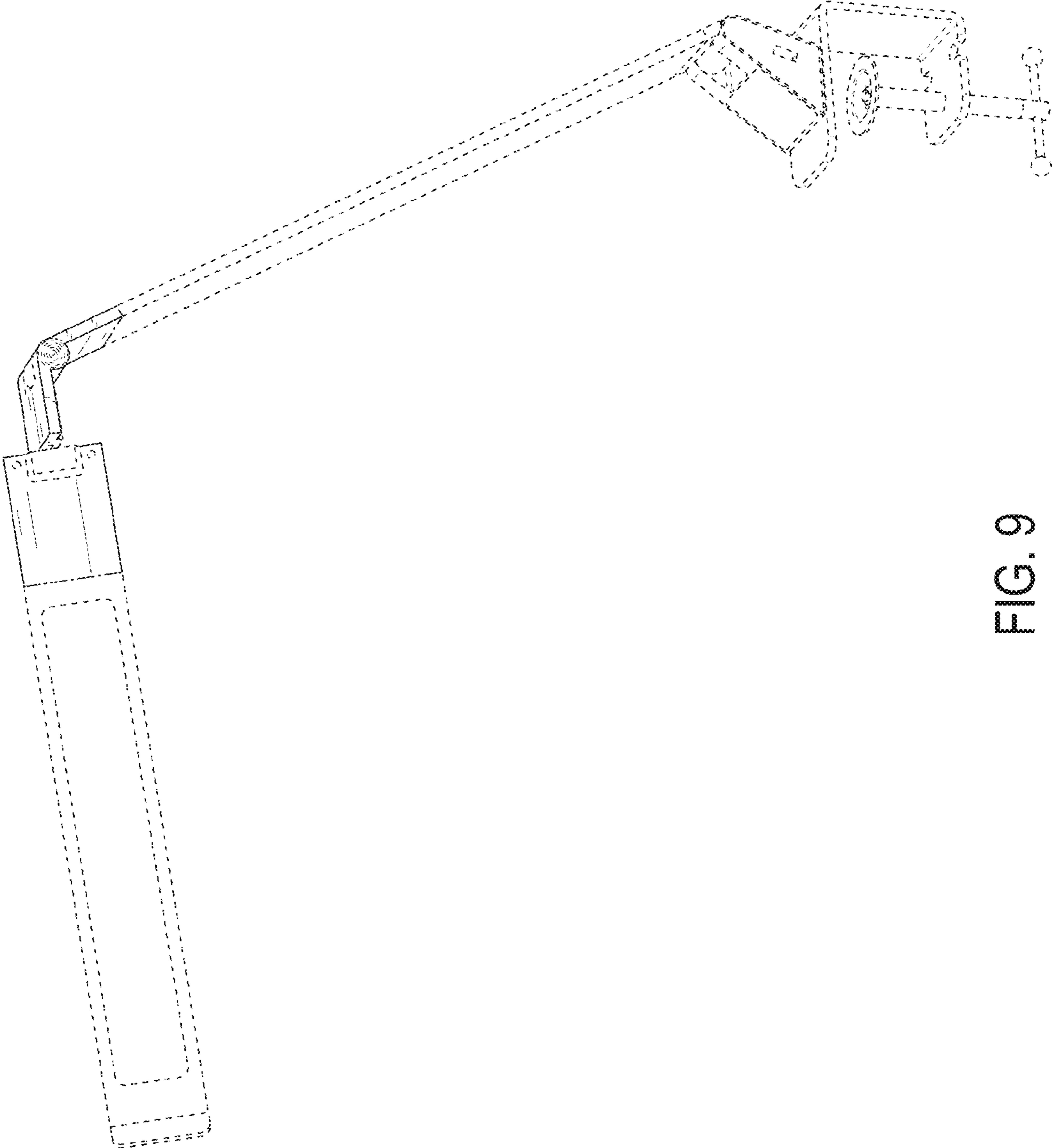


FIG. 9