



US00D925103S

(12) **United States Design Patent**
Kujawa et al.

(10) **Patent No.:** **US D925,103 S**
(45) **Date of Patent:** **** Jul. 13, 2021**

(54) **LIGHT**
(71) Applicant: **Lumitec, LLC**, Delray Beach, FL (US)
(72) Inventors: **John Alexander Kujawa**, Delray Beach, FL (US); **Michael Albion Kestner**, Boynton Beach, FL (US)
(73) Assignee: **Lumitec, LLC**, Delray Beach, FL (US)
(**) Term: **15 Years**
(21) Appl. No.: **29/665,310**

D774,675 S * 12/2016 Hong D26/63
D775,401 S * 12/2016 Sibitzky D26/118
D775,402 S * 12/2016 Sibitzky D26/118
D775,403 S * 12/2016 Adams D26/118
D784,599 S * 4/2017 Sibitzky D26/118
D805,241 S * 12/2017 Fletcher D26/118
D810,330 S * 2/2018 Sibitzky D26/28
D843,618 S * 3/2019 Sibitzky D26/28
D851,297 S * 6/2019 Dennis D26/28
D853,006 S * 7/2019 Zou D26/63
D863,613 S * 10/2019 Korpi D26/28
D863,615 S * 10/2019 Renvall D26/28
D866,818 S * 11/2019 Lindholm D26/28
D867,629 S * 11/2019 Renvall D26/28
D872,920 S * 1/2020 Korpi D26/63
D884,957 S * 5/2020 Dennis D26/118

(Continued)

(22) Filed: **Oct. 2, 2018**
(51) **LOC (13) Cl.** **26-05**
(52) **U.S. Cl.**
USPC **D26/118**
(58) **Field of Classification Search**
USPC D26/1, 24, 61, 63, 118, 119, 123, 124;
362/217.1, 249.07, 362, 365, 368
CPC F21V 29/74; F21V 29/83; F21V 29/763;
F21V 15/00; F21V 15/01; F21V 15/04;
F21V 15/012; F21V 21/06; F21V 21/15;
F21V 21/30; F21W 2131/10; F21W
2131/40; F21W 2131/406; F21W
2131/1005

Primary Examiner — Wan Laymon
Assistant Examiner — Clint A Samuel
(74) *Attorney, Agent, or Firm* — Calfee, Halter & Griswold LLP

See application file for complete search history.

(57) **CLAIM**

The ornamental design for a light, as shown and described.

DESCRIPTION

FIG. 1 is a perspective view of a light;
FIG. 2 is a front view thereof;
FIG. 3 is a rear view thereof;
FIG. 4 is a left side view thereof;
FIG. 5 is a right side view thereof;
FIG. 6 is a top view thereof; and,
FIG. 7 is a bottom view thereof.

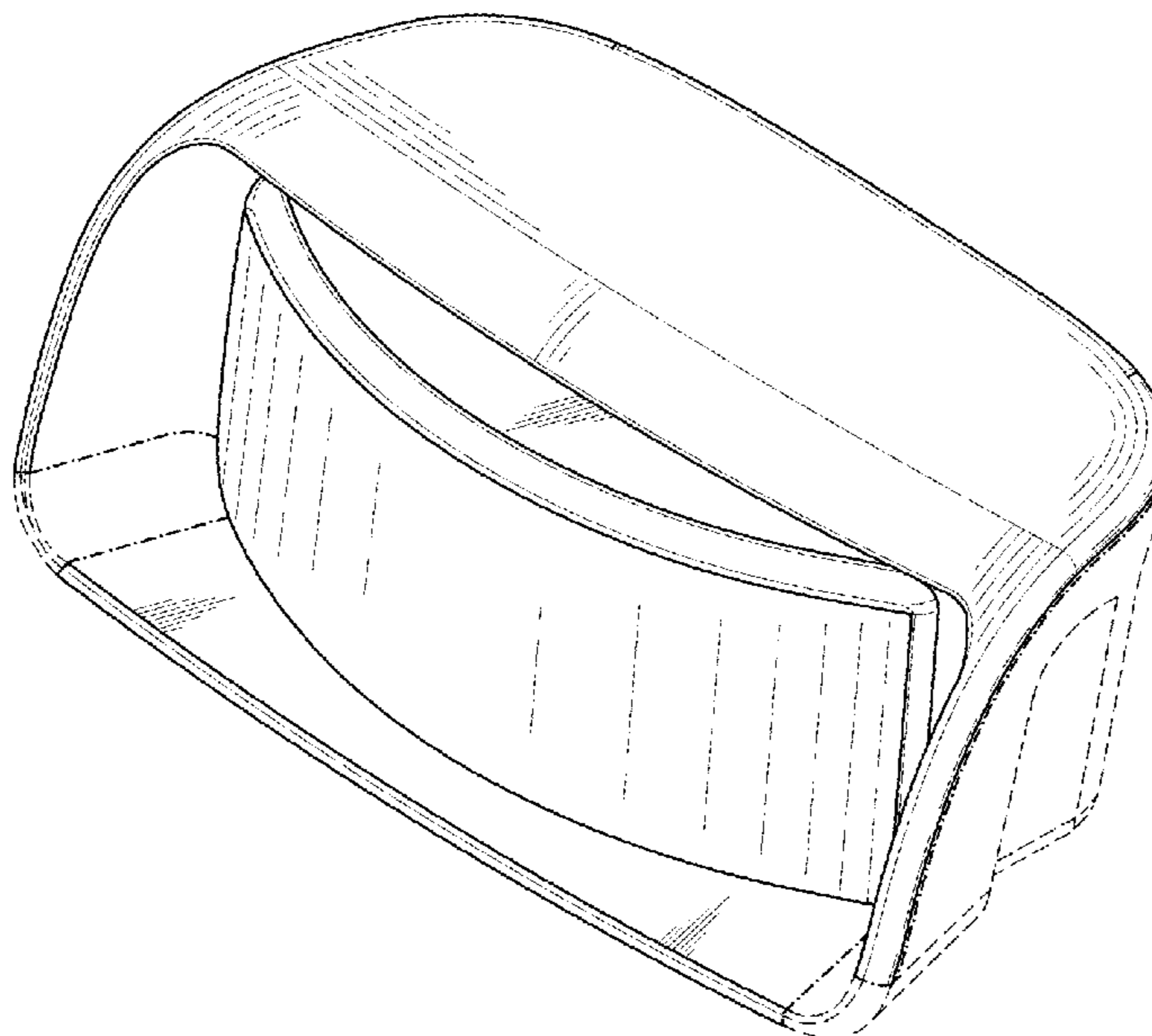
The uniformly broken lines illustrate portions of the light that form no part of the claimed design. The dash-dot broken lines show the bounds of the invention. All of the broken lines form no part of the claimed design. Further, no lines, shading or other effects are meant to be indicative of any specified colors.

(56) **References Cited**

U.S. PATENT DOCUMENTS

D239,315 S * 3/1976 Satoh D26/104
D397,816 S * 9/1998 Walls D26/28
D656,662 S * 3/2012 Lehman D26/118
D659,280 S * 5/2012 Guercio D26/118
D675,758 S * 2/2013 Adams D26/28
D679,856 S * 4/2013 Guercio D26/118
D708,385 S * 7/2014 Krogman D26/118
D732,219 S * 6/2015 Adams D26/63
D770,078 S * 10/2016 Largent D26/118

1 Claim, 4 Drawing Sheets



(56)

References Cited

U.S. PATENT DOCUMENTS

2011/0128737 A1* 6/2011 Kim F21V 21/30
362/249.03
2017/0038045 A1* 2/2017 Liang F21V 23/0464
2020/0132284 A1* 4/2020 Johnson F21S 41/143

* cited by examiner

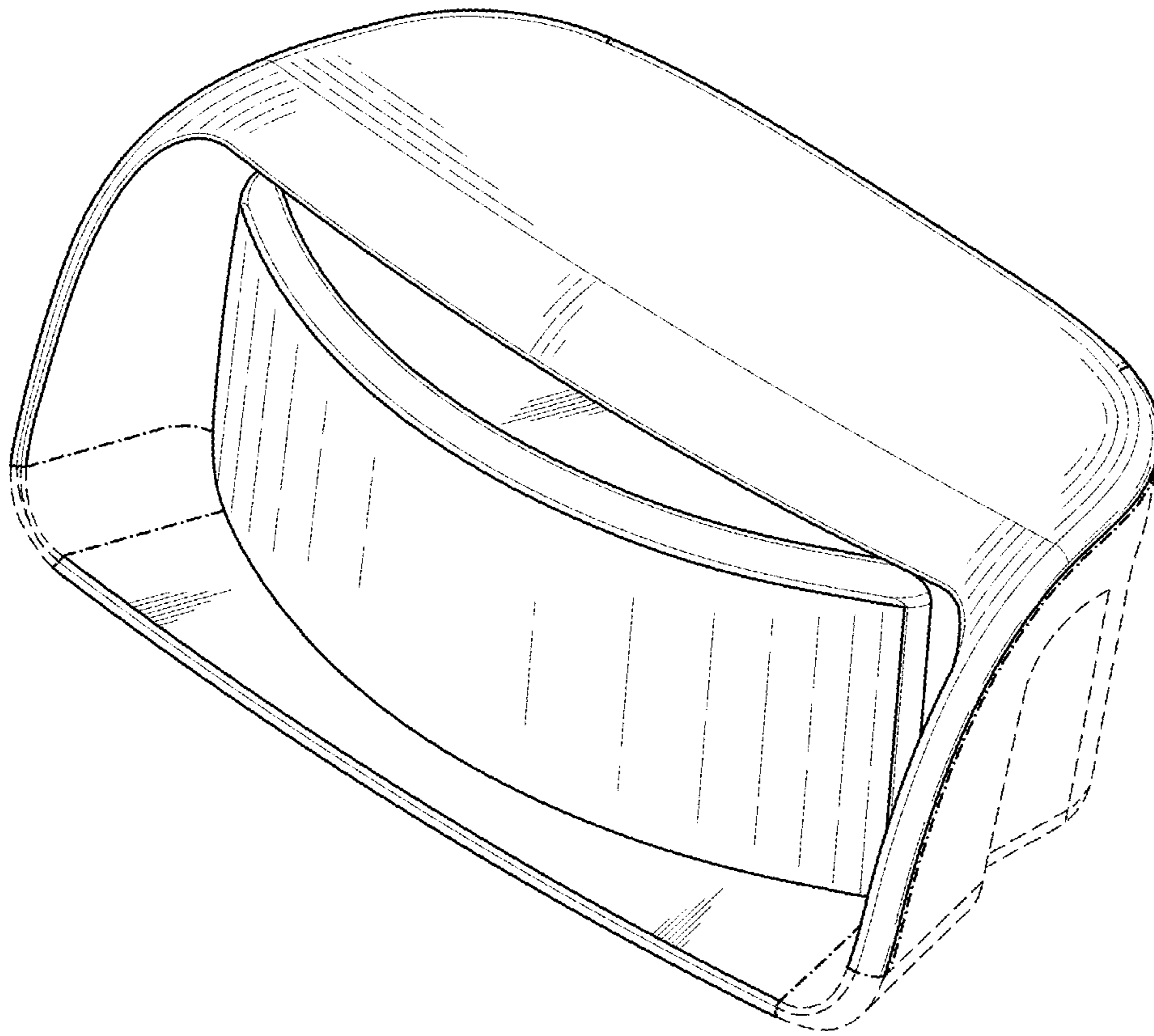


FIG. 1

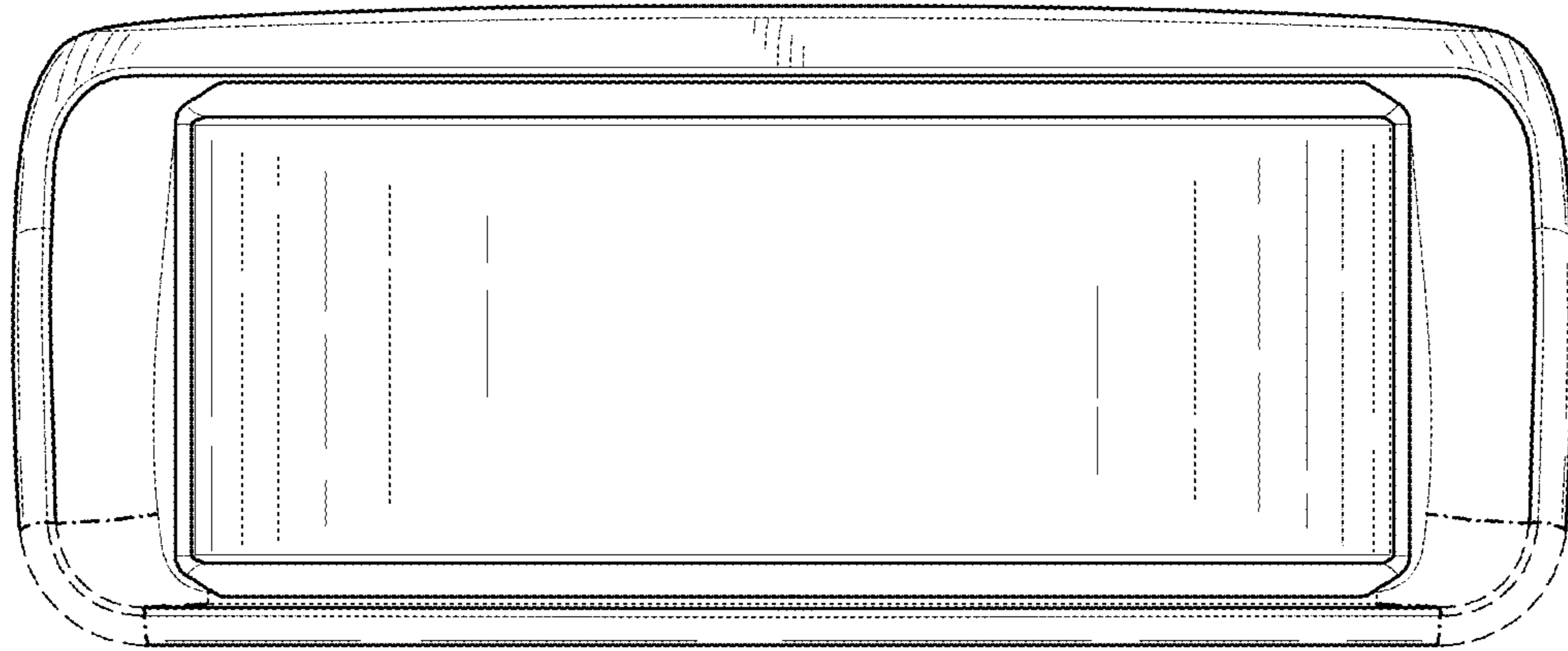


FIG. 2

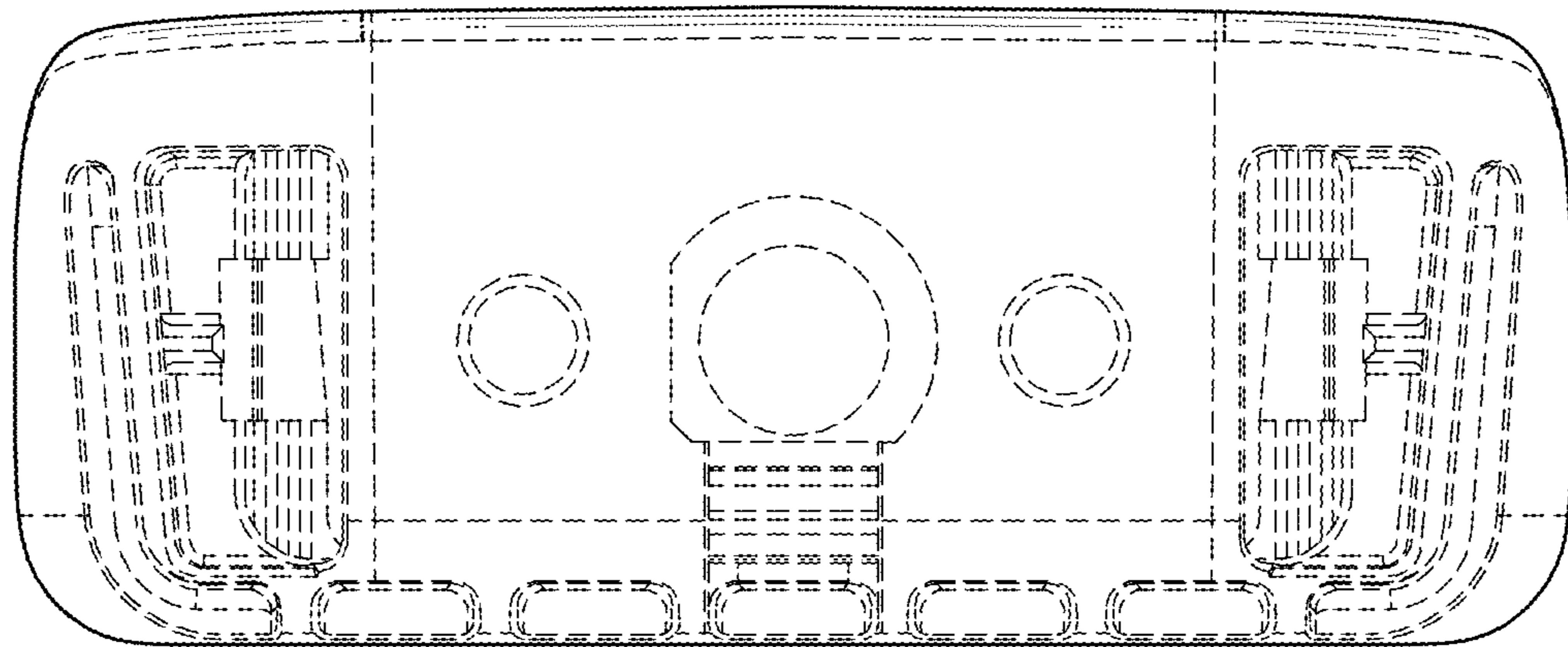


FIG. 3

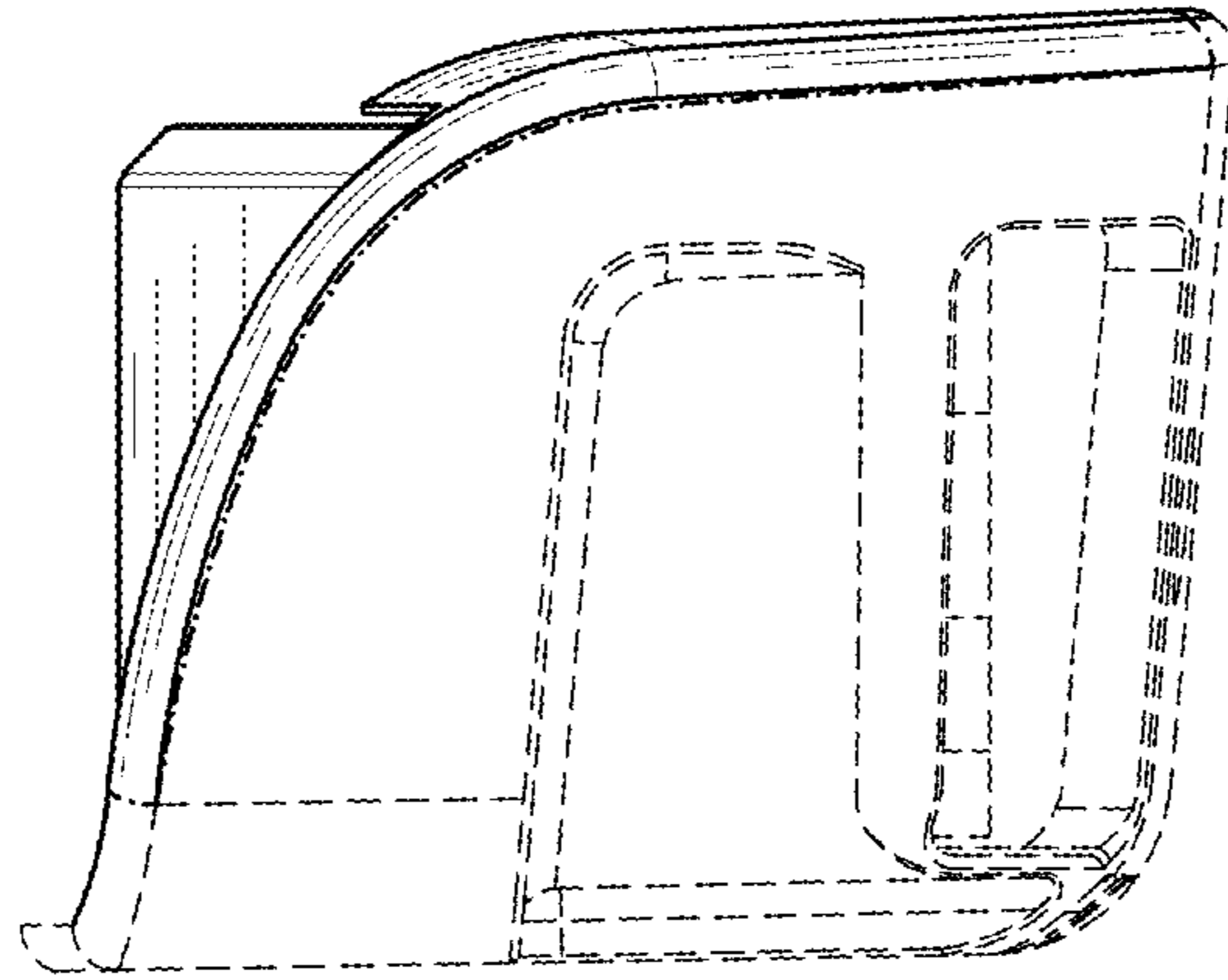


FIG. 4

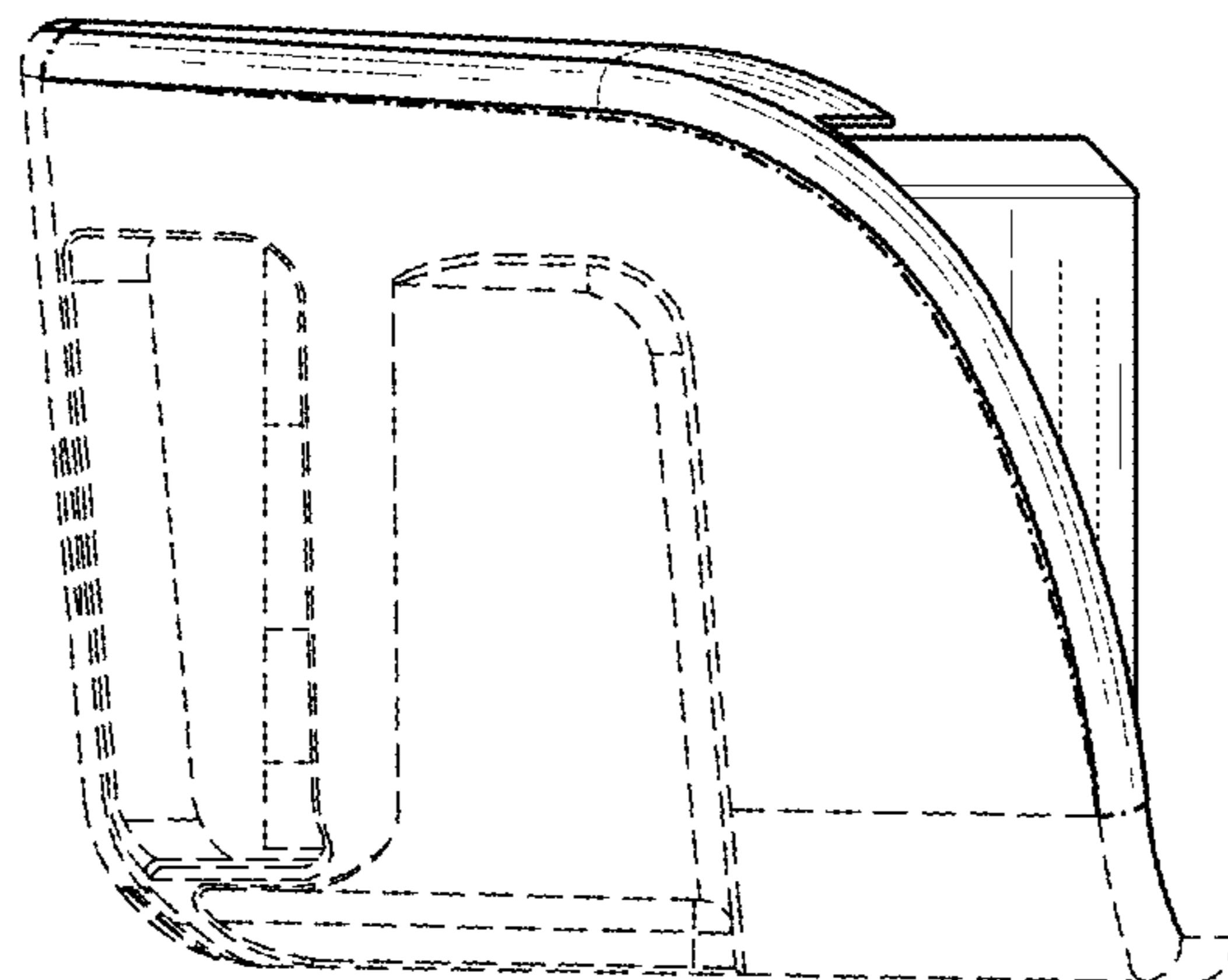


FIG. 5

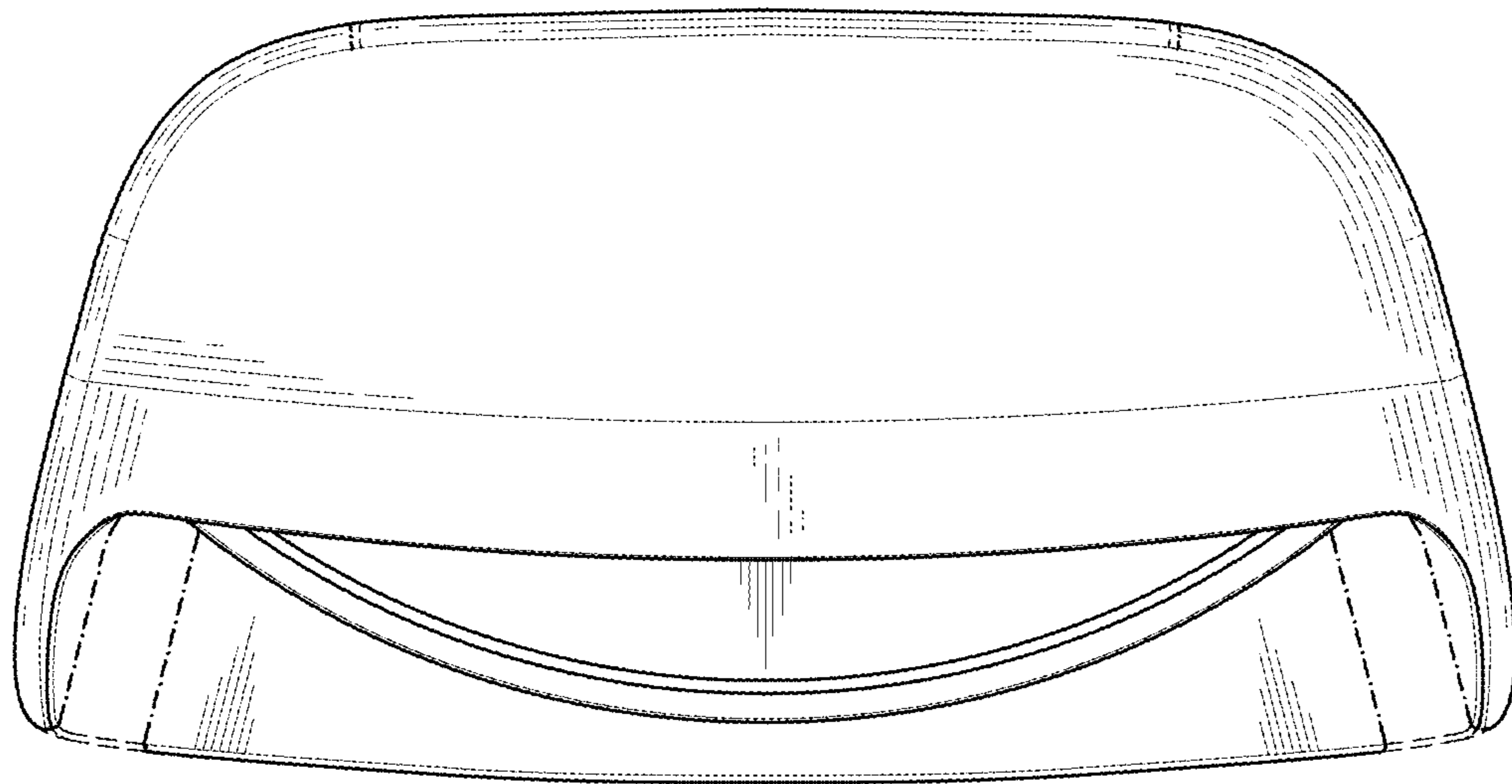


FIG. 6

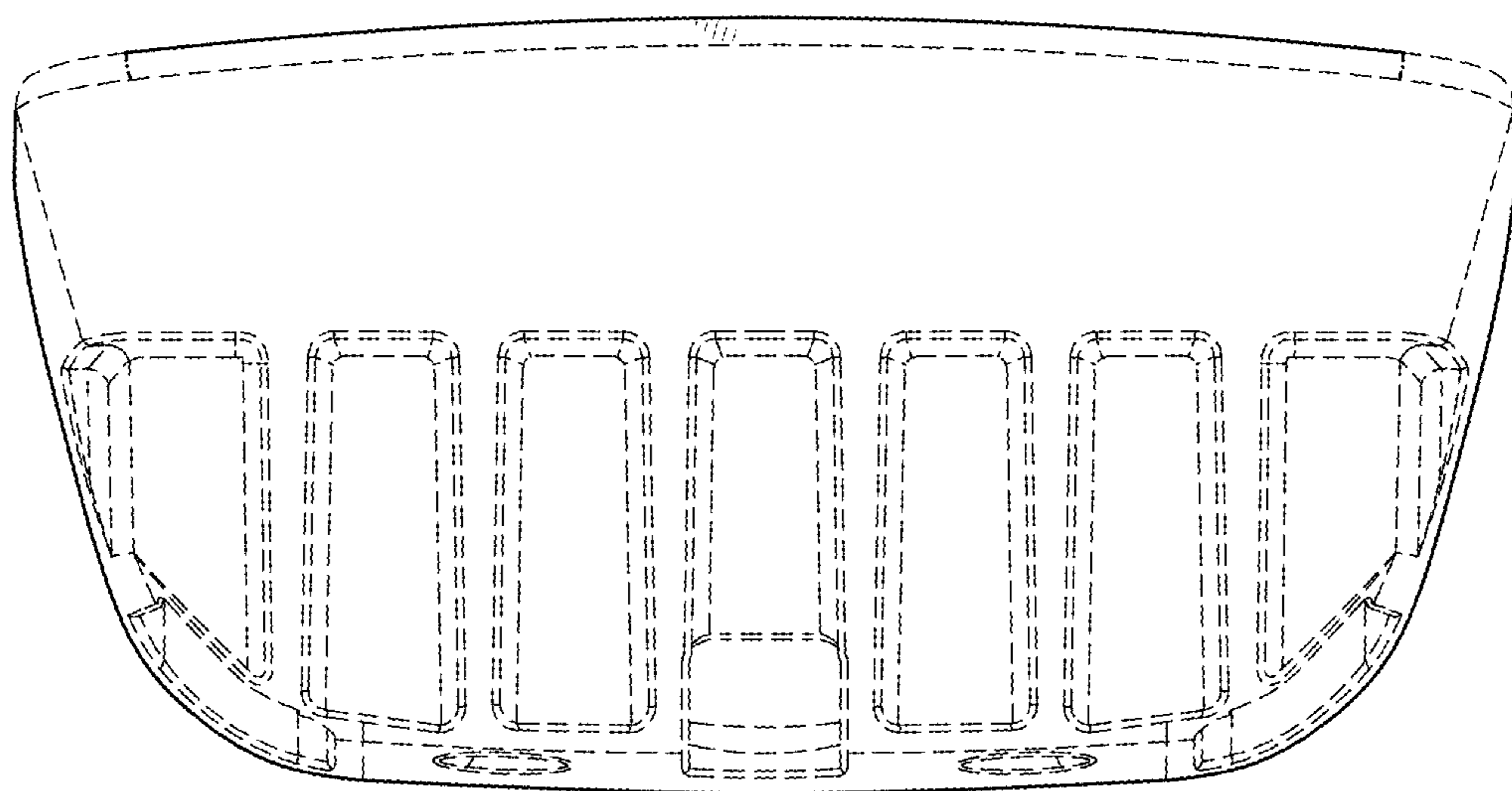


FIG. 7