



US00D925102S

(12) **United States Design Patent**
Fletcher

(10) **Patent No.:** **US D925,102 S**

(45) **Date of Patent:** **** Jul. 13, 2021**

(54) **LED LUMINAIRE**

FOREIGN PATENT DOCUMENTS

(71) Applicant: **EcoSense Lighting Inc.**, Los Angeles, CA (US)

EM 001681651-0001 * 5/2010
EM 002390781-0001 * 2/2014

(Continued)

(72) Inventor: **Robert Fletcher**, Pasadena, CA (US)

Primary Examiner — Leanne Was-Englehart

(73) Assignee: **ECOSENSE LIGHTING INC.**, Los Angeles, CA (US)

(74) *Attorney, Agent, or Firm* — Jay M. Brown

(**) Term: **15 Years**

(57) **CLAIM**

The ornamental design for a LED luminaire, as shown and described.

(21) Appl. No.: **29/646,268**

(22) Filed: **May 3, 2018**

DESCRIPTION

(51) **LOC (13) Cl.** **26-05**

(52) **U.S. Cl.**
USPC **D26/118**

(58) **Field of Classification Search**
USPC D26/24, 60, 61, 63, 65, 67, 85, 92–95,
D26/101, 104–110, 112, 118, 138
CPC F21V 21/00; F21V 21/14; F21V 21/30;
F21V 15/01; F21V 14/00; F21V 14/02;
F21S 8/00; F21S 8/003; F21S 8/043;
F21S 9/043

See application file for complete search history.

FIG. 1 is a front view of the LED luminaire of the present invention, in which the broken lines depict portions of the luminaire that form no part of the claimed design;
FIG. 2 is a back view thereof, in which the broken lines depict portions of the luminaire that form no part of the claimed design;
FIG. 3 is a top, back, left perspective view thereof, in which the broken lines depict portions of the luminaire that form no part of the claimed design;
FIG. 4 is a top, back, right perspective view thereof, in which the broken lines depict portions of the luminaire that form no part of the claimed design;
FIG. 5 is a left view thereof, in which the broken lines depict portions of the luminaire that form no part of the claimed design;
FIG. 6 is a right view thereof, in which the broken lines depict portions of the luminaire that form no part of the claimed design; and,
FIG. 7 is a front downward perspective view thereof, in which the broken lines depict portions of the luminaire that form no part of the claimed design.
The broken line areas in the Figures show environmental subject matter and other disclaimed subject matter, and form no part of the claimed design.

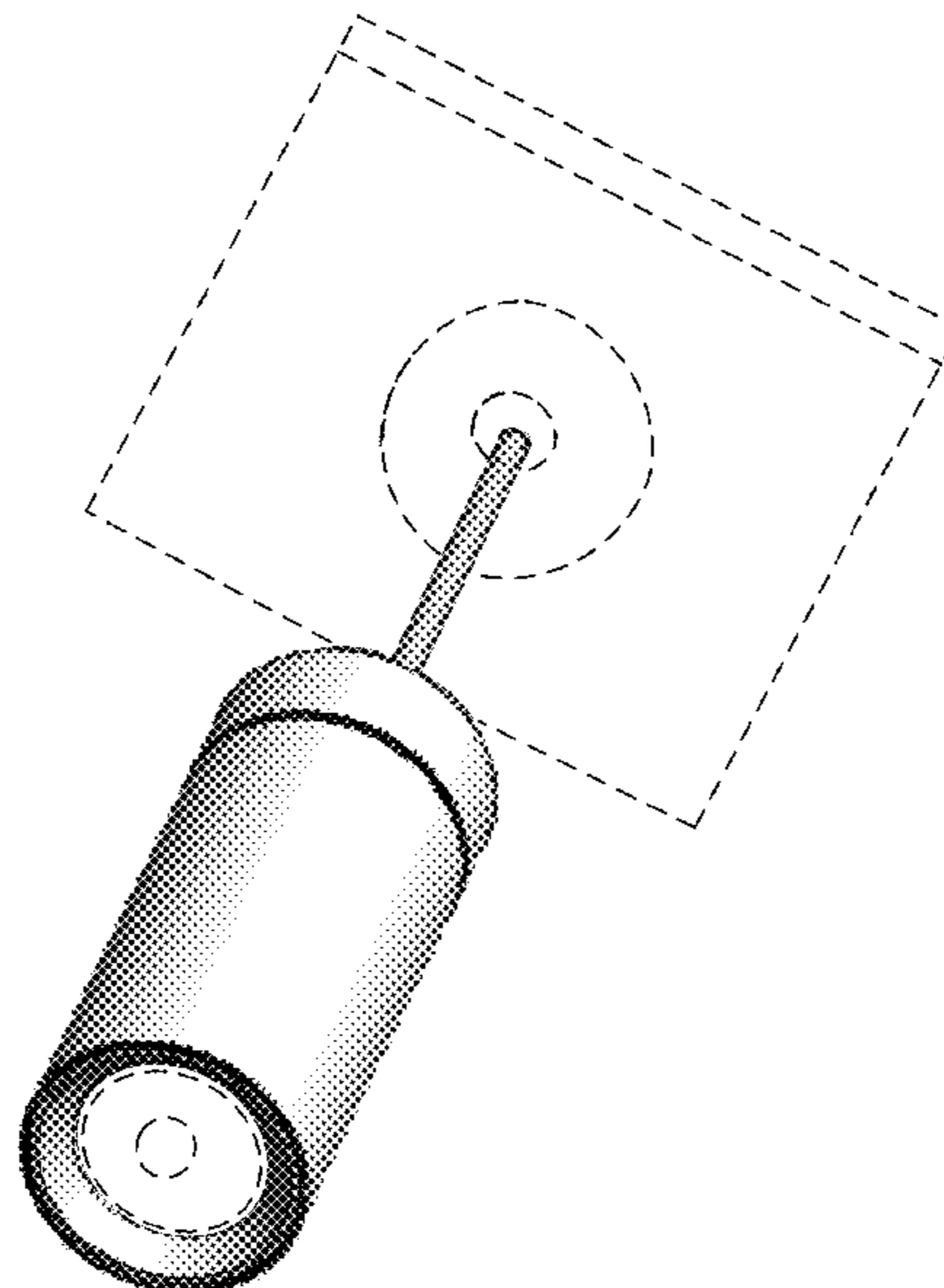
(56) **References Cited**

U.S. PATENT DOCUMENTS

D204,899 S	*	5/1966	Curry	D26/105
D231,559 S		4/1974	Darling		
D373,437 S		9/1996	Kira		
D389,268 S	*	1/1998	Kay	D26/118
D487,252 S	*	3/2004	Schweitzer	D13/134
D574,987 S		8/2008	Waldmann		
D589,191 S	*	3/2009	Sabernig	D26/63
D616,586 S	*	5/2010	Sabernig	D26/63
D646,821 S	*	10/2011	Wauters	D26/63
D647,242 S	*	10/2011	Staples	D26/93
D647,658 S	*	10/2011	Wauters	D26/63
D654,207 S	*	2/2012	Fletcher	D26/63

(Continued)

1 Claim, 7 Drawing Sheets



(56)

References Cited

U.S. PATENT DOCUMENTS

D659,871 S 5/2012 Lee
D670,846 S * 11/2012 Ramirez D26/63
D683,494 S * 5/2013 Verdin D26/137
D700,388 S * 2/2014 Sabernig D26/130
D739,070 S * 9/2015 Wilson D26/104
D753,328 S * 4/2016 Mathews D26/63
D773,091 S * 11/2016 Nouvel D26/63
D786,496 S * 5/2017 Dolan D26/128
D799,736 S * 10/2017 Hendifar D26/88
D799,739 S * 10/2017 Dean D26/128
D838,030 S * 1/2019 Scarso D26/110
D841,220 S * 2/2019 Chen D26/88
2012/0320608 A1 * 12/2012 Ramirez F21V 19/0035
362/373
2017/0370564 A1 * 12/2017 Fletcher F21V 21/26
2018/0320845 A1 * 11/2018 Tepo F21V 21/044
2019/0128510 A1 * 5/2019 Martinez Weber F21S 8/02

FOREIGN PATENT DOCUMENTS

EM 002846006-0003 * 3/2016
WO D087684-009 * 10/2015

* cited by examiner

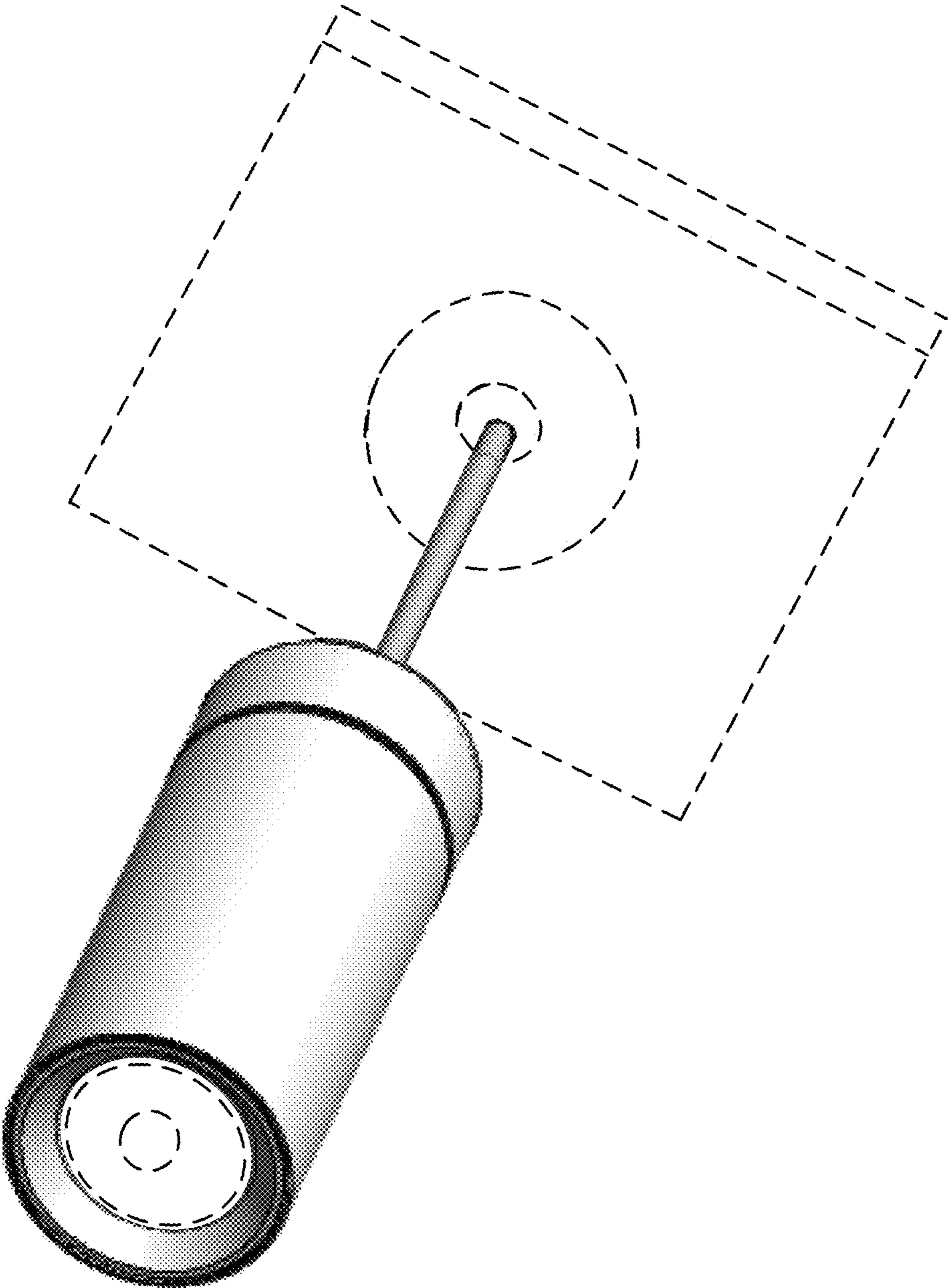


FIG. 1

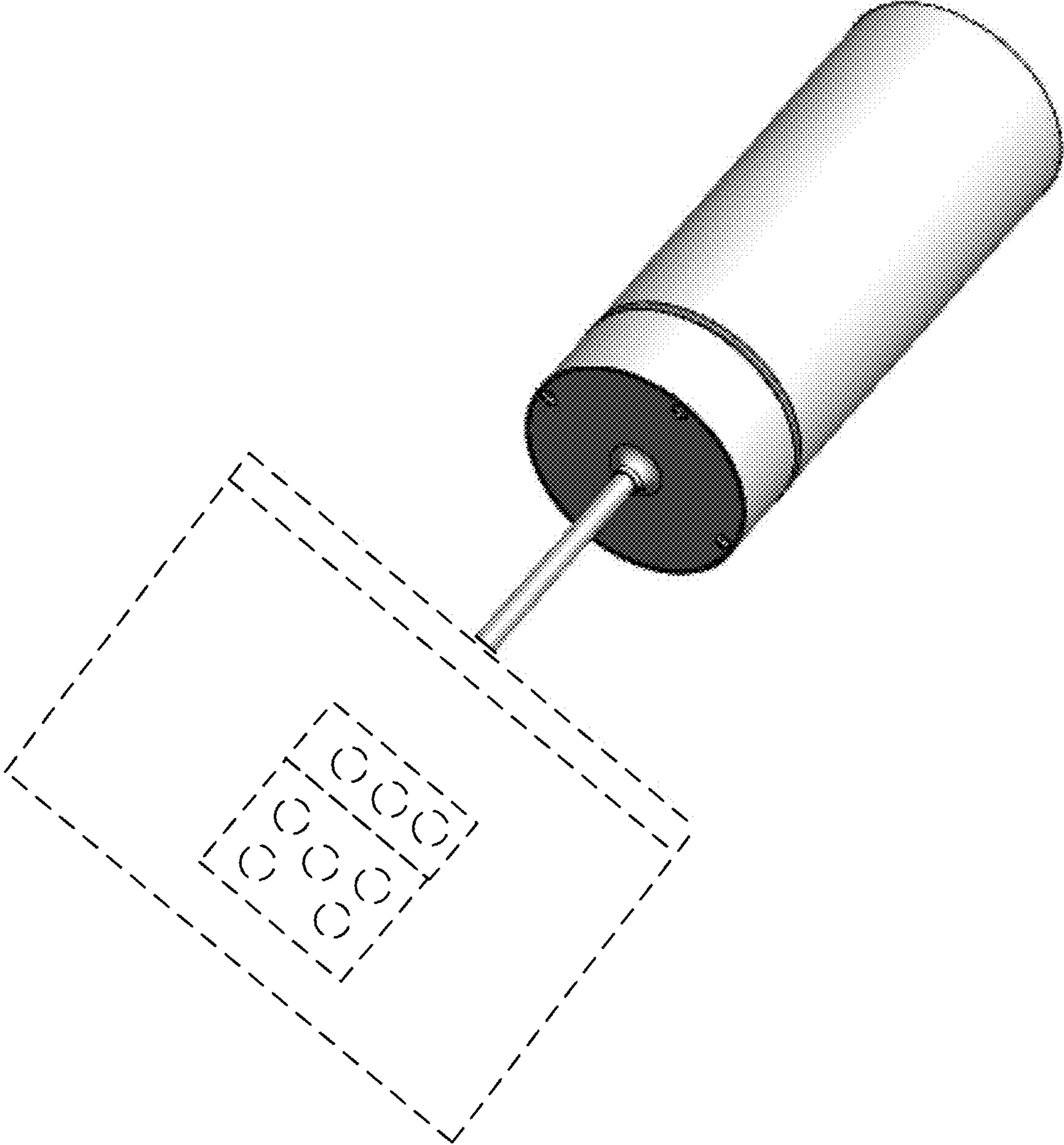


FIG. 2

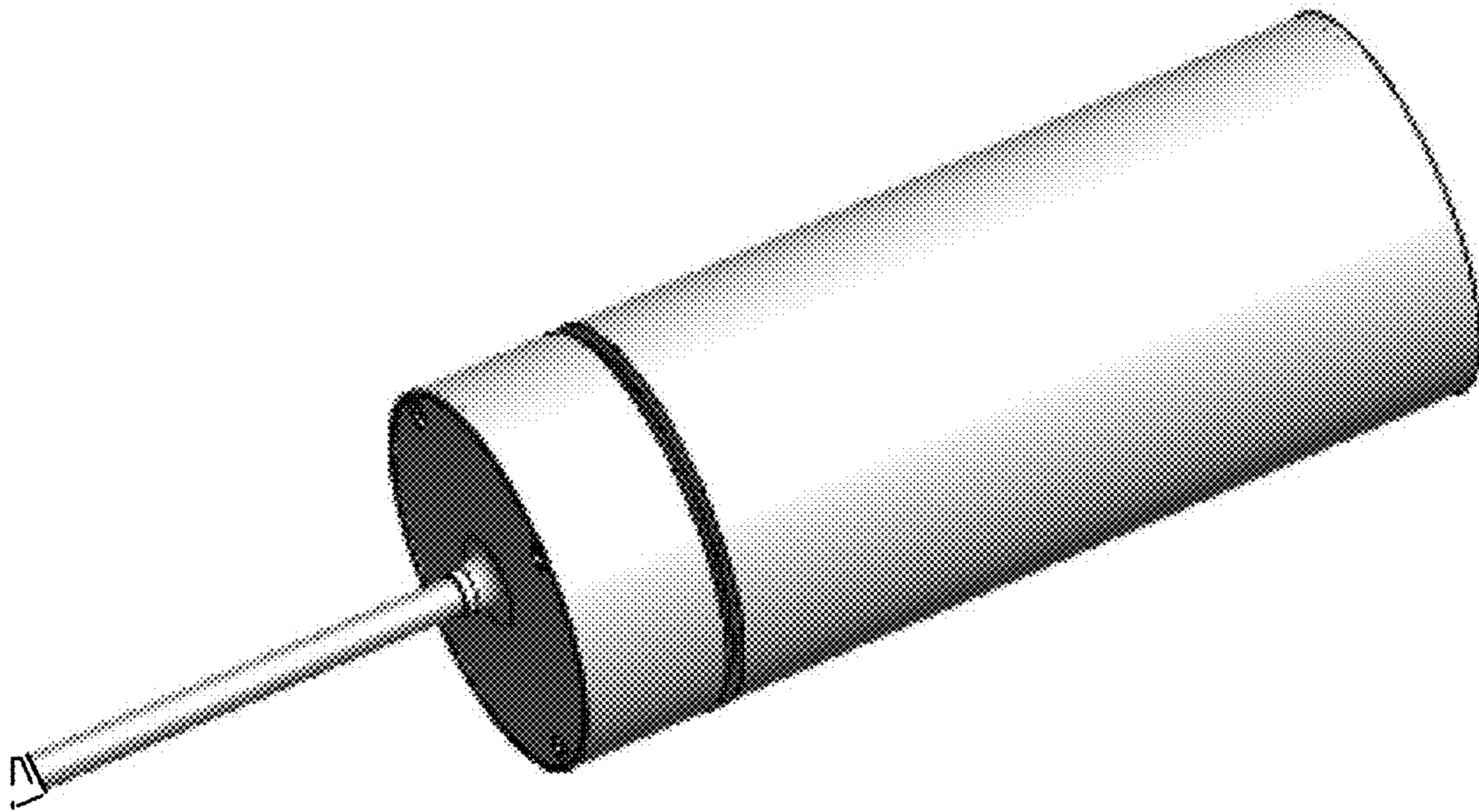


FIG. 3

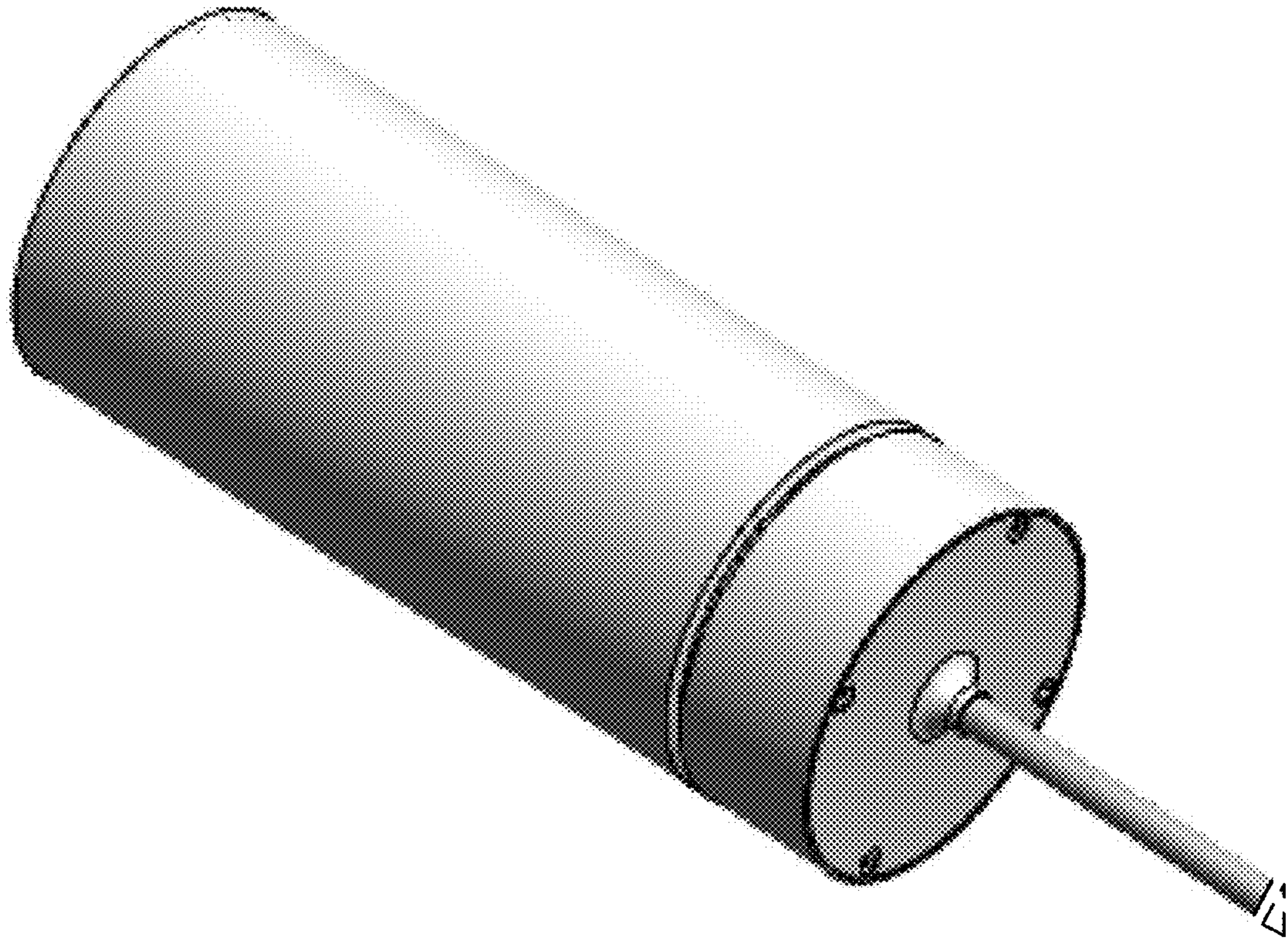


FIG. 4

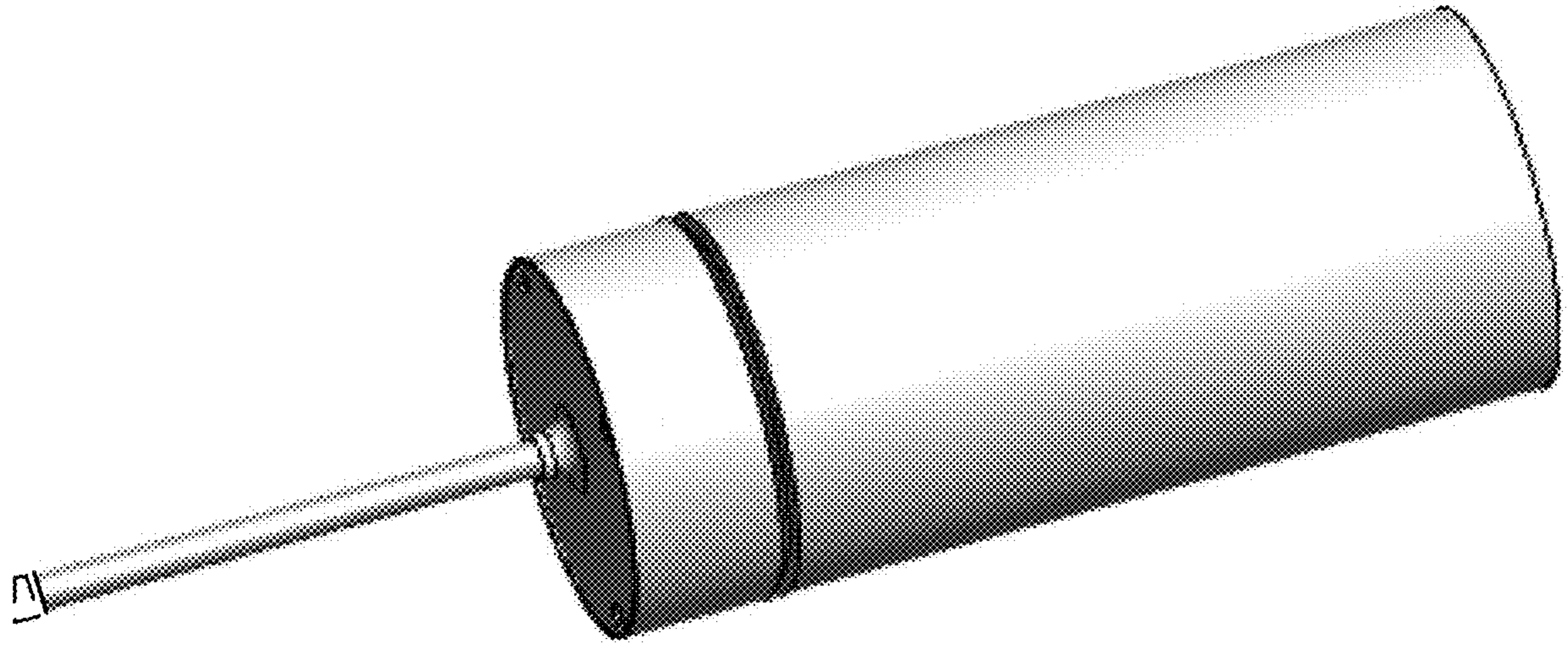


FIG. 5

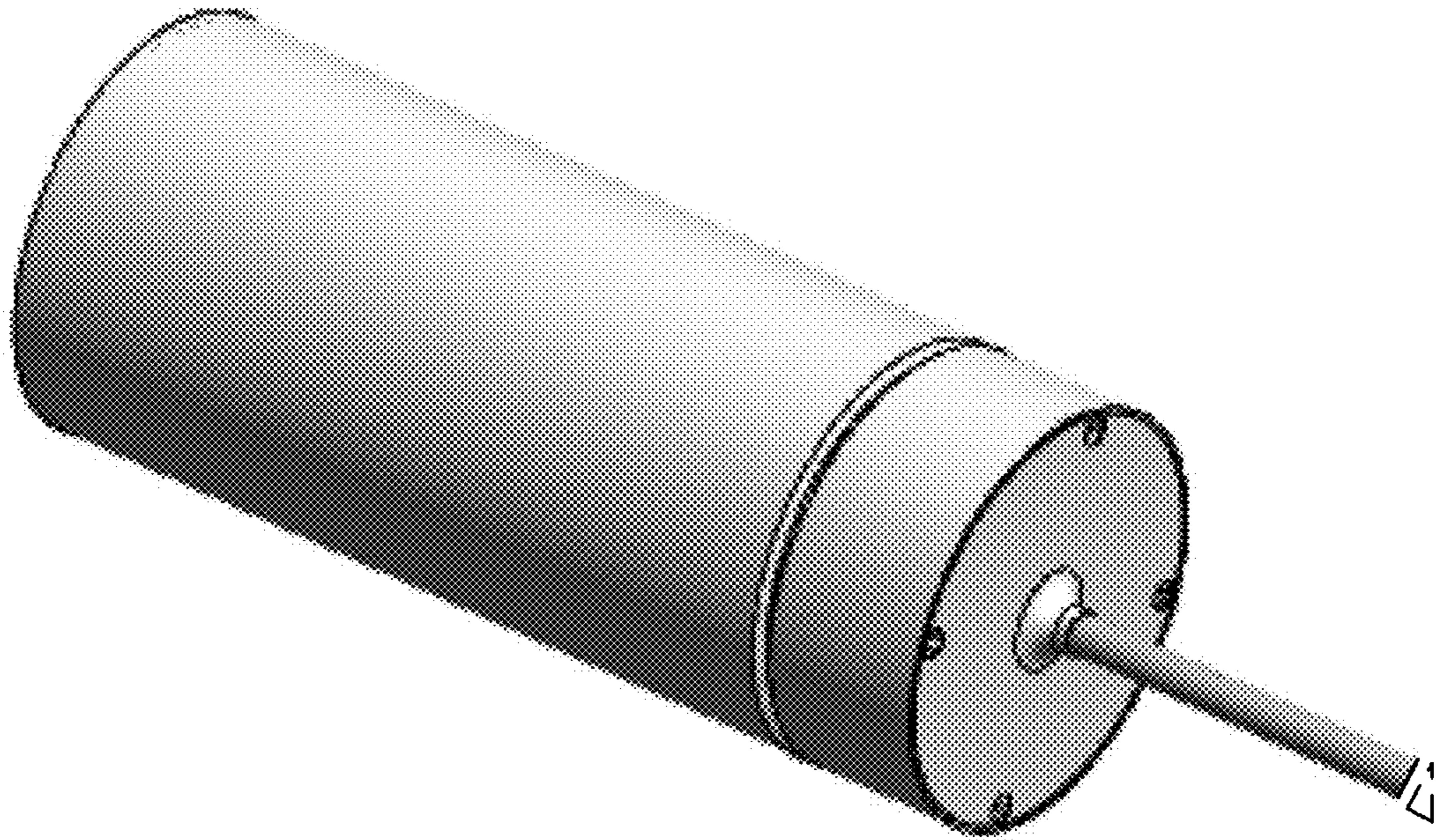


FIG. 6

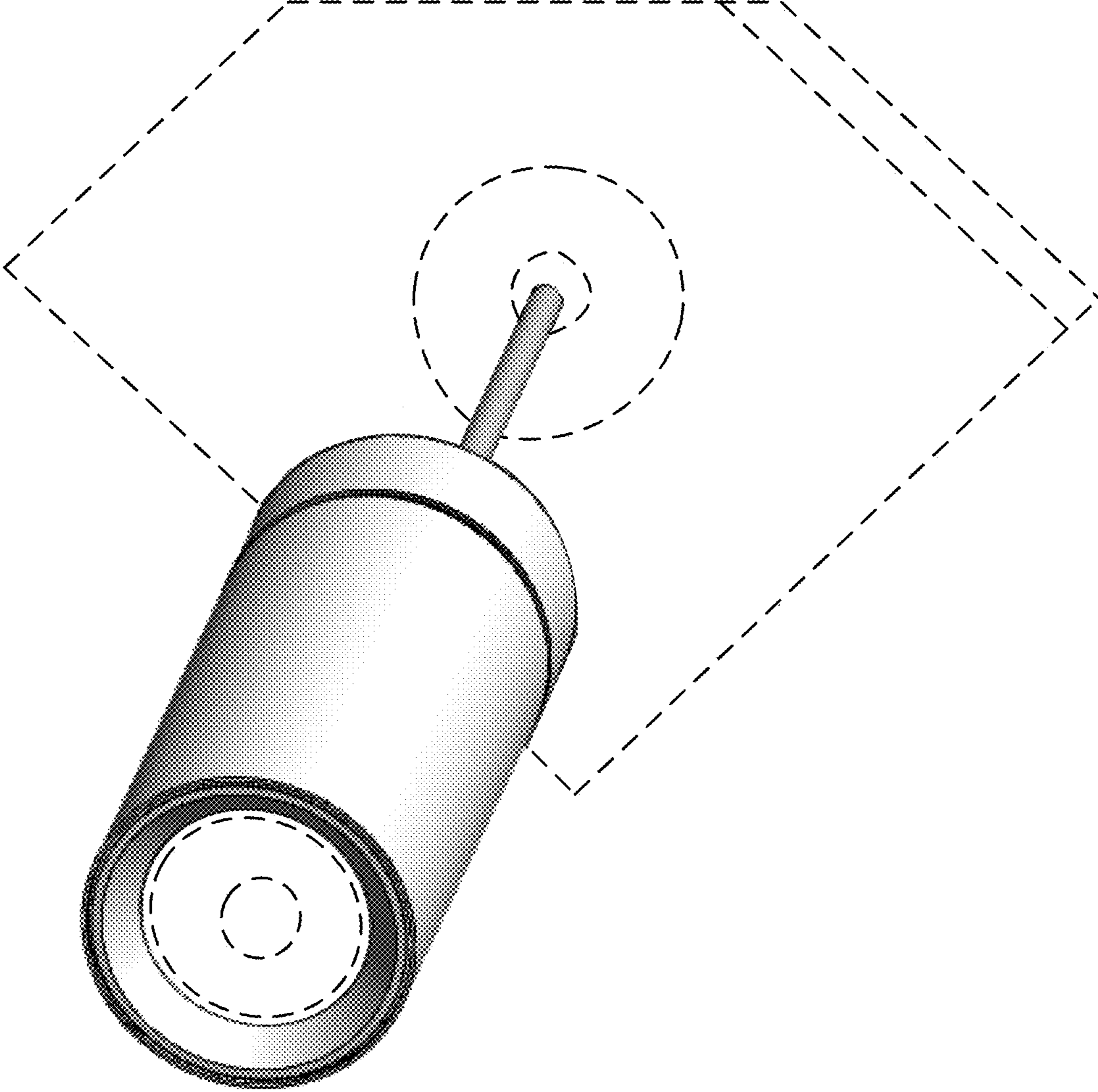


FIG. 7