



US00D925101S

(12) **United States Design Patent**
Fletcher

(10) **Patent No.:** **US D925,101 S**

(45) **Date of Patent:** **** Jul. 13, 2021**

(54) **LED LUMINAIRE**

(71) Applicant: **EcoSense Lighting Inc.**, Los Angeles, CA (US)

(72) Inventor: **Robert Fletcher**, Pasadena, CA (US)

(73) Assignee: **ECOSENSE LIGHTING INC.**, Los Angeles, CA (US)

(**) Term: **15 Years**

(21) Appl. No.: **29/646,267**

(22) Filed: **May 3, 2018**

(51) **LOC (13) Cl.** **26-05**

(52) **U.S. Cl.**
USPC **D26/118**

(58) **Field of Classification Search**
USPC D26/24, 60, 61, 63, 65, 67, 85, 92-95,
D26/101, 104-110, 112, 118, 138
CPC F21V 21/00; F21V 21/14; F21V 21/30;
F21V 15/01; F21V 14/00; F21V 14/02;
F21S 8/00; F21S 8/003; F21S 8/043;
F21S 9/043
See application file for complete search history.

(56) **References Cited**

U.S. PATENT DOCUMENTS

- 3,733,482 A * 5/1973 Miller F21S 6/002
362/216
- D258,314 S * 2/1981 Leon D26/63
- 4,882,667 A * 11/1989 Skegin F21V 21/34
362/373
- D348,744 S * 7/1994 Johnson D26/63
- D590,085 S 4/2009 Irvine
- D733,957 S * 7/2015 Tragatschnig D26/63

(Continued)

FOREIGN PATENT DOCUMENTS

EM 004359636-0001 * 10/2017

Primary Examiner — Leanne Was-Englehart

(74) *Attorney, Agent, or Firm* — Jay M. Brown

(57) **CLAIM**

The ornamental design for a LED luminaire, as shown and described.

DESCRIPTION

The patent or application file contains at least one drawing executed in color. Copies of this patent or patent application publication with color drawing(s) will be provided by the Office upon request and payment of the necessary fee.

FIG. 1 is a front view of the LED luminaire of the present invention, in which the broken lines depict portions of the luminaire that form no part of the claimed design;

FIG. 2 is a back view thereof, in which the broken lines depict portions of the luminaire that form no part of the claimed design;

FIG. 3 is a top, back, left perspective view thereof, in which the broken lines depict portions of the luminaire that form no part of the claimed design;

FIG. 4 is a top, back, right perspective view thereof, in which the broken lines depict portions of the luminaire that form no part of the claimed design;

FIG. 5 is a left view thereof, in which the broken lines depict portions of the luminaire that form no part of the claimed design;

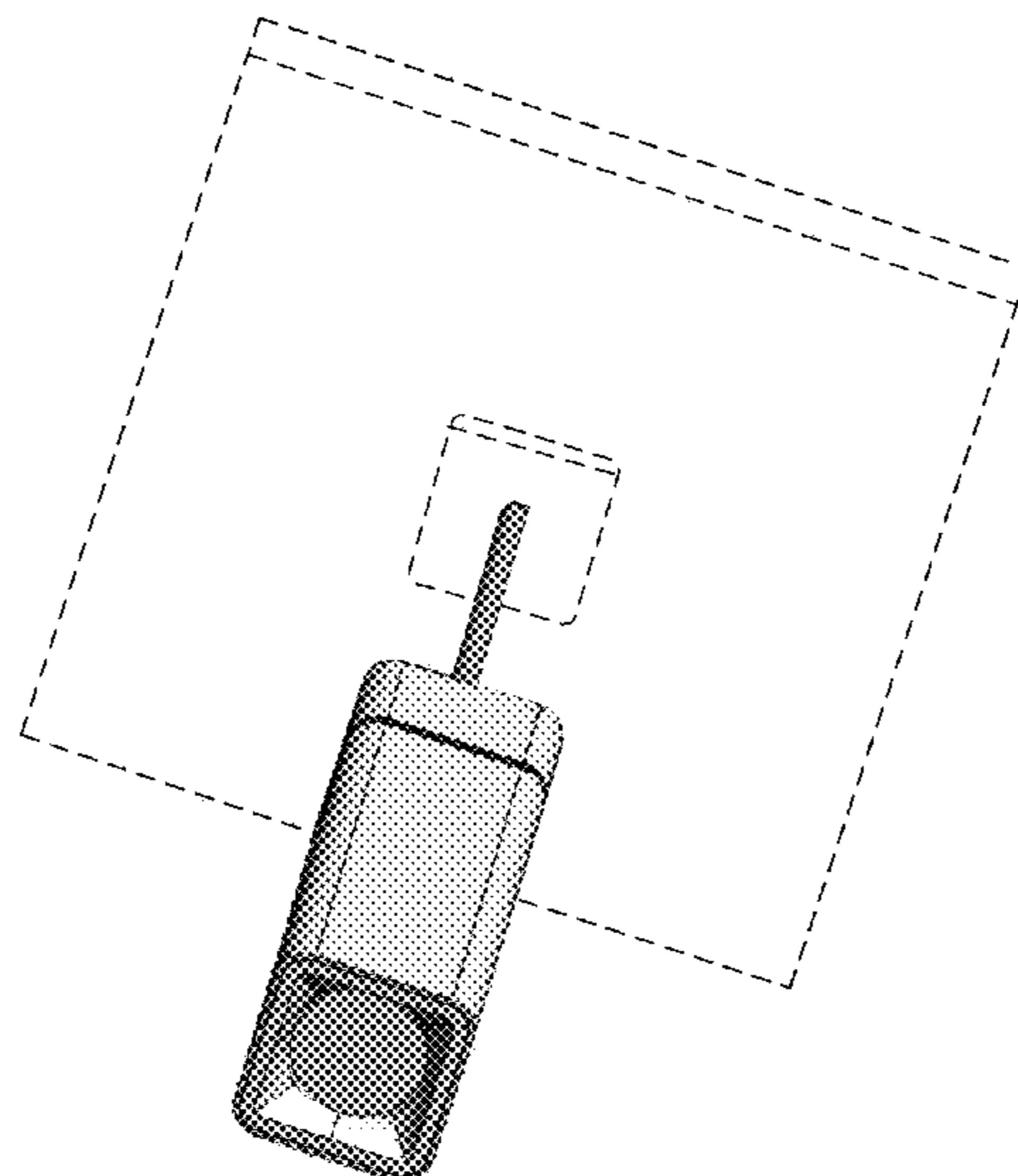
FIG. 6 is a right view thereof, in which the broken lines depict portions of the luminaire that form no part of the claimed design;

FIG. 7 is a front downward perspective view thereof, in which the broken lines depict portions of the luminaire that form no part of the claimed design; and,

FIG. 8 is a front upward perspective view thereof, in which the broken lines depict portions of the luminaire that form no part of the claimed design.

The broken line areas in the Figures show environmental subject matter and form no part of the claimed design.

1 Claim, 8 Drawing Sheets
(2 of 8 Drawing Sheet(s) Filed in Color)



(56)

References Cited

U.S. PATENT DOCUMENTS

D734,531 S *	7/2015	Tragatschnig	D26/118
D739,070 S *	9/2015	Wilson	D26/104
D779,697 S	2/2017	Fletcher	
D782,093 S	3/2017	Fletcher	
D782,094 S	3/2017	Fletcher	
D785,218 S *	4/2017	Fletcher	D26/63
9,651,232 B1	5/2017	Fletcher	
D822,248 S	7/2018	Fletcher	
D822,249 S	7/2018	Fletcher	
D822,250 S	7/2018	Fletcher	
D822,263 S *	7/2018	Fletcher	D26/99
10,012,370 B2	7/2018	Fletcher	
10,317,057 B2	6/2019	Fletcher	
10,527,268 B2	1/2020	Fletcher	

* cited by examiner

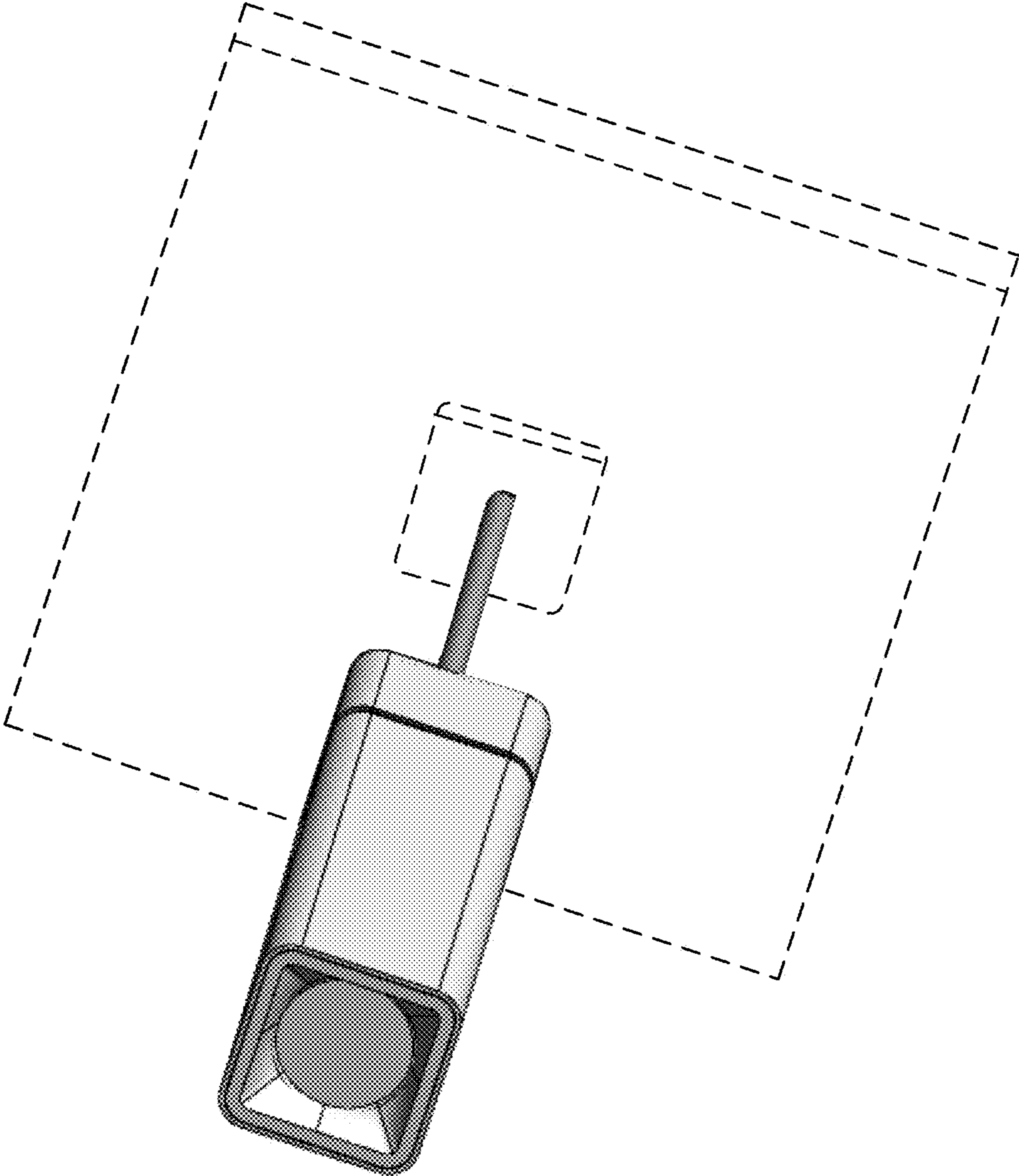


FIG. 1

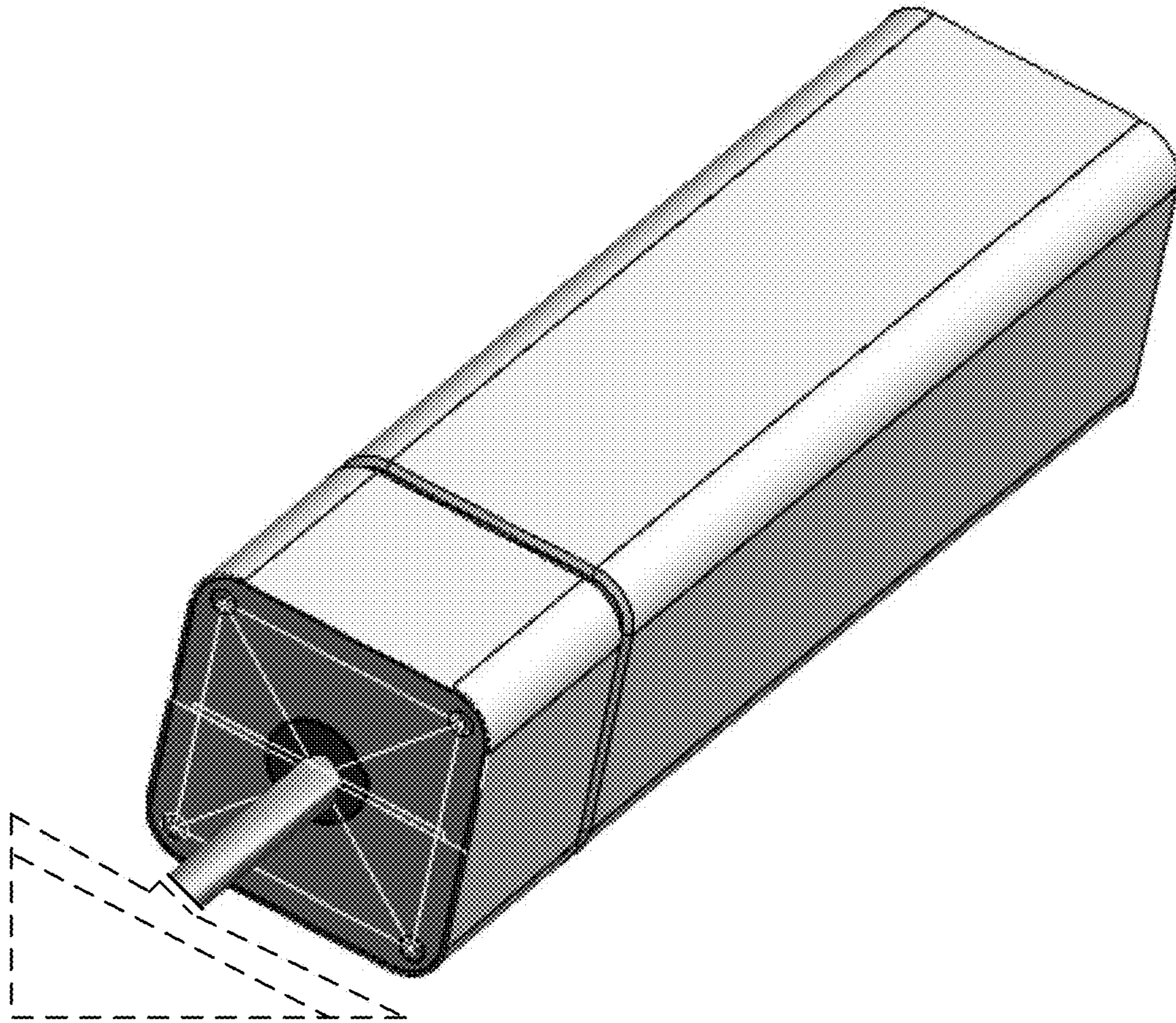


FIG. 2

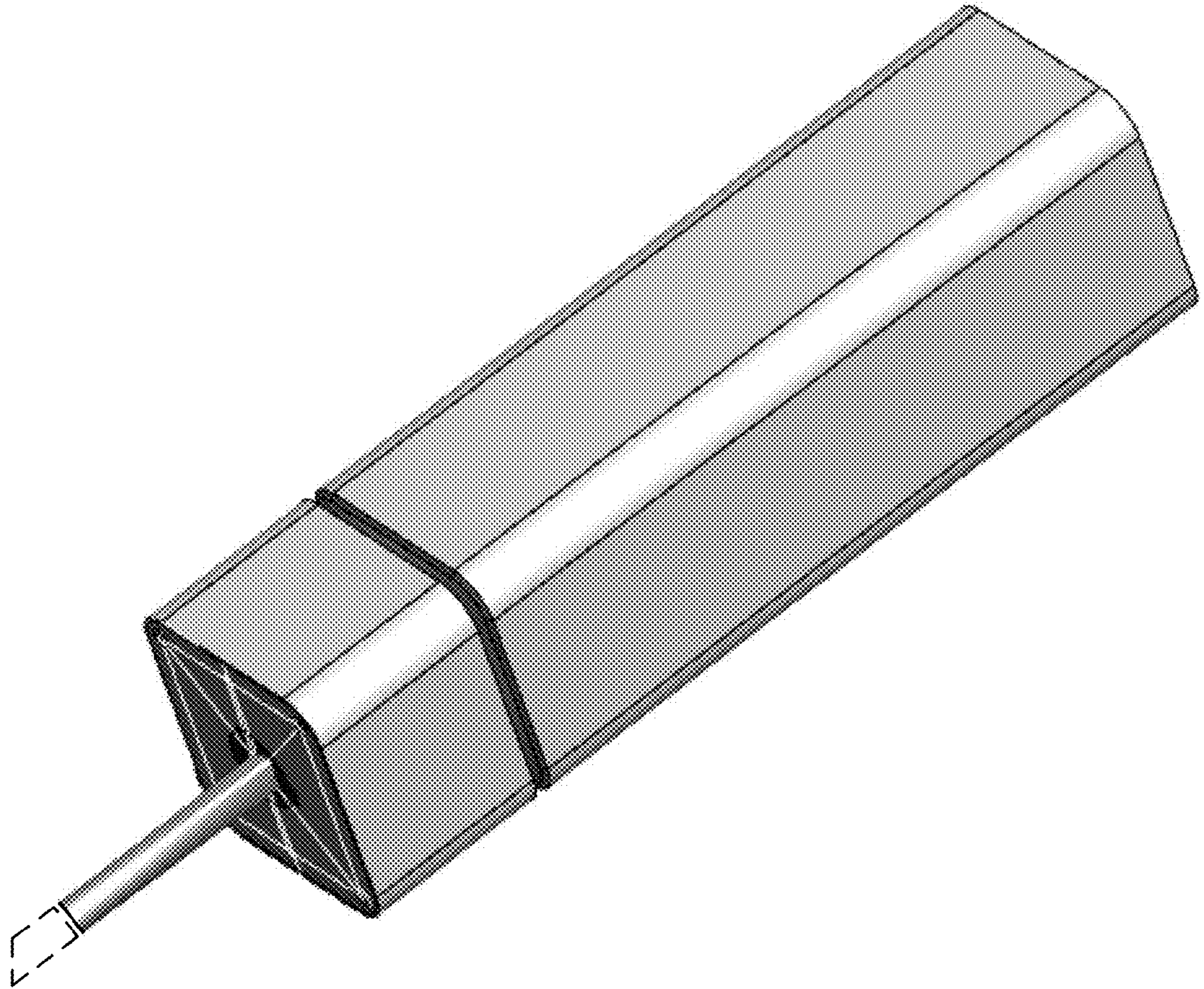


FIG. 3

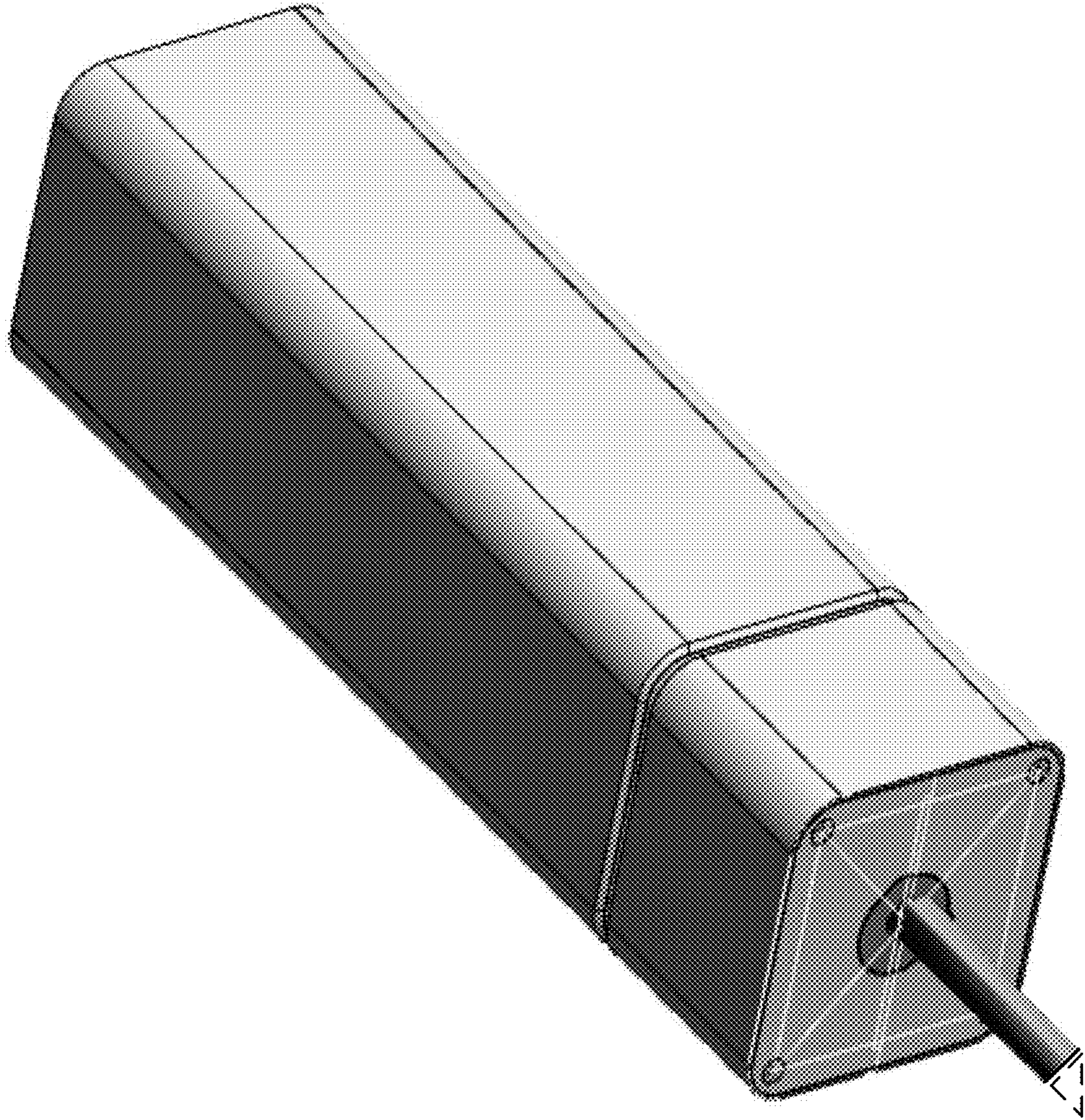


FIG. 4

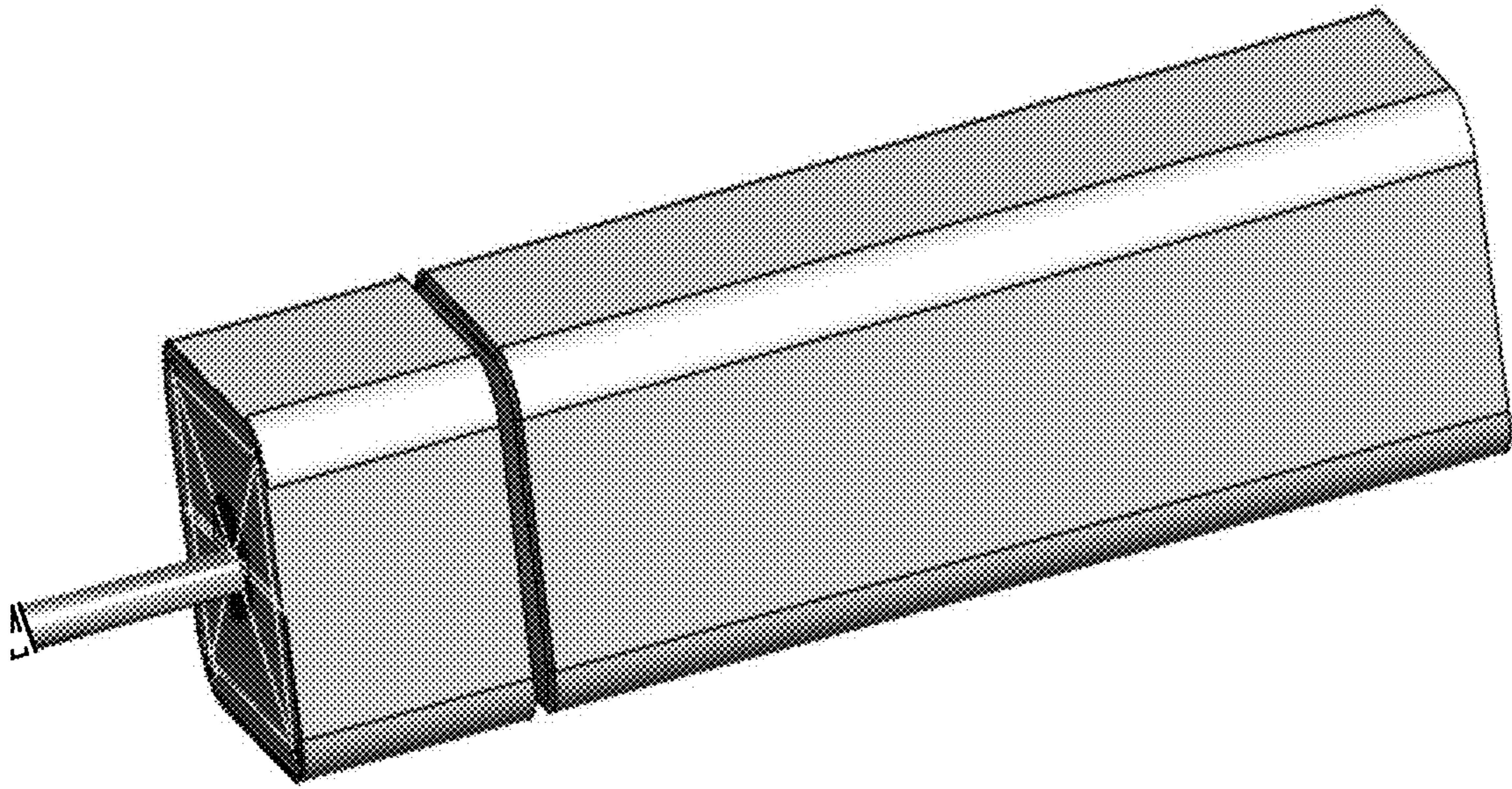


FIG. 5

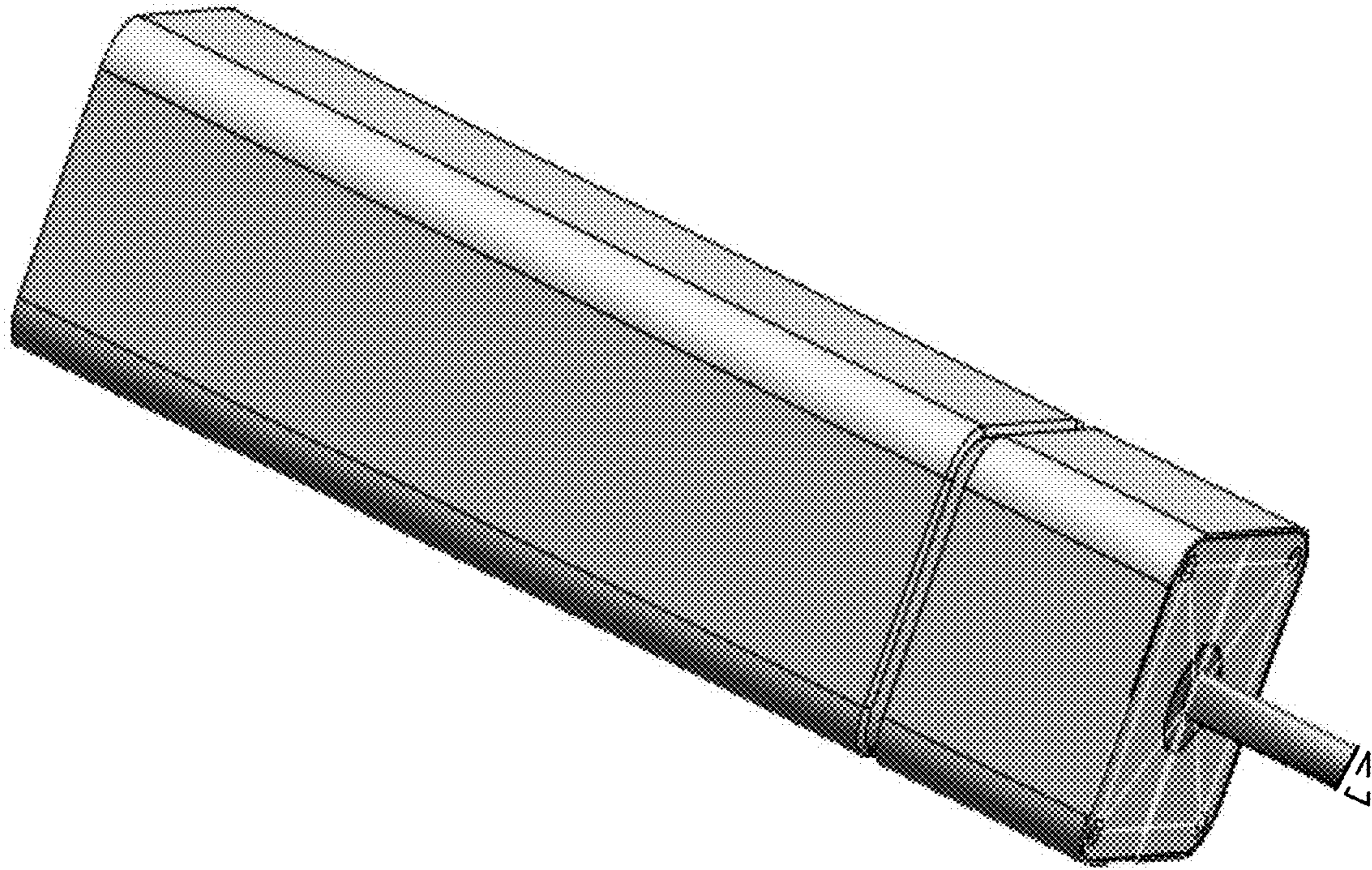


FIG. 6

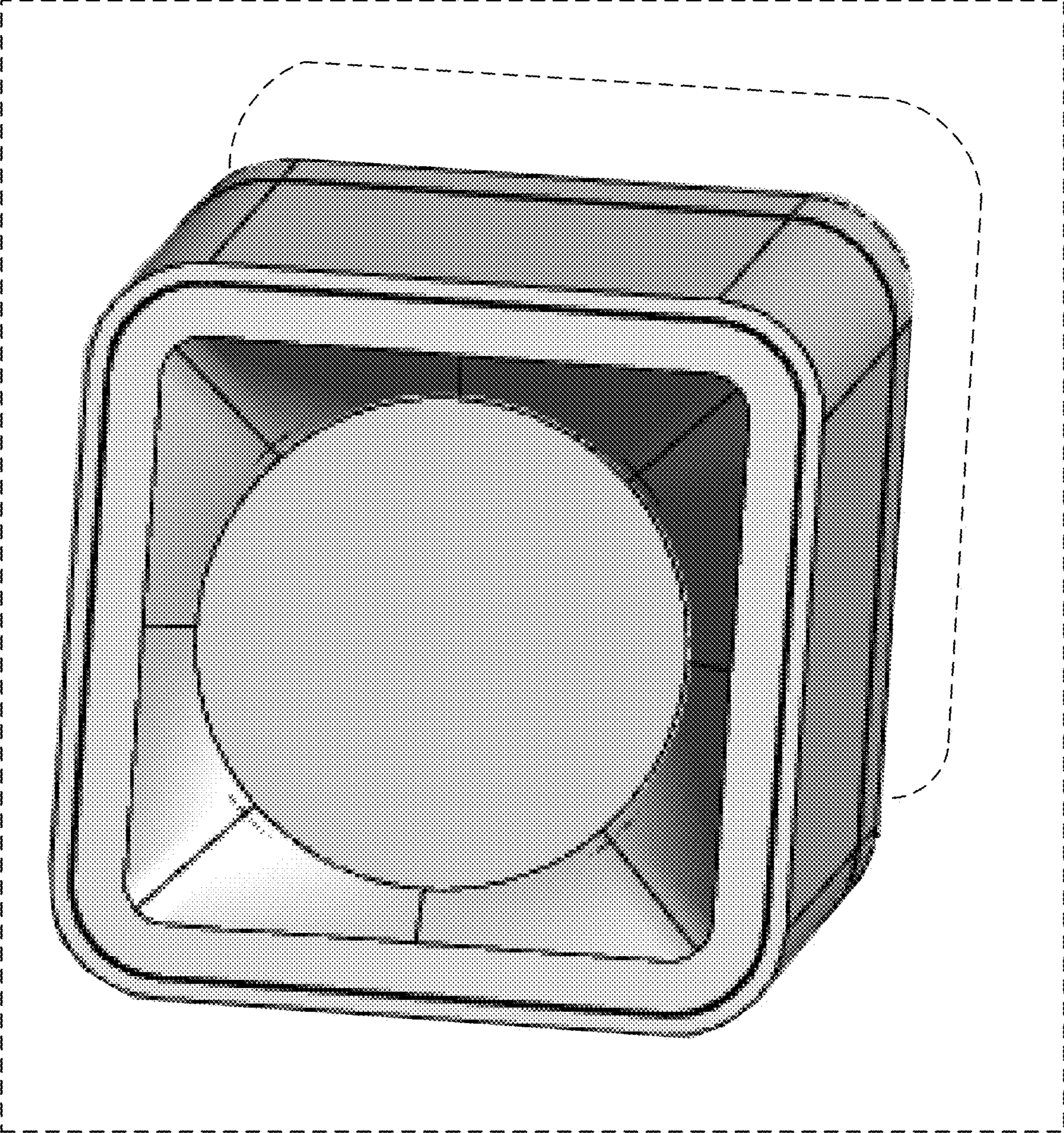


FIG. 7

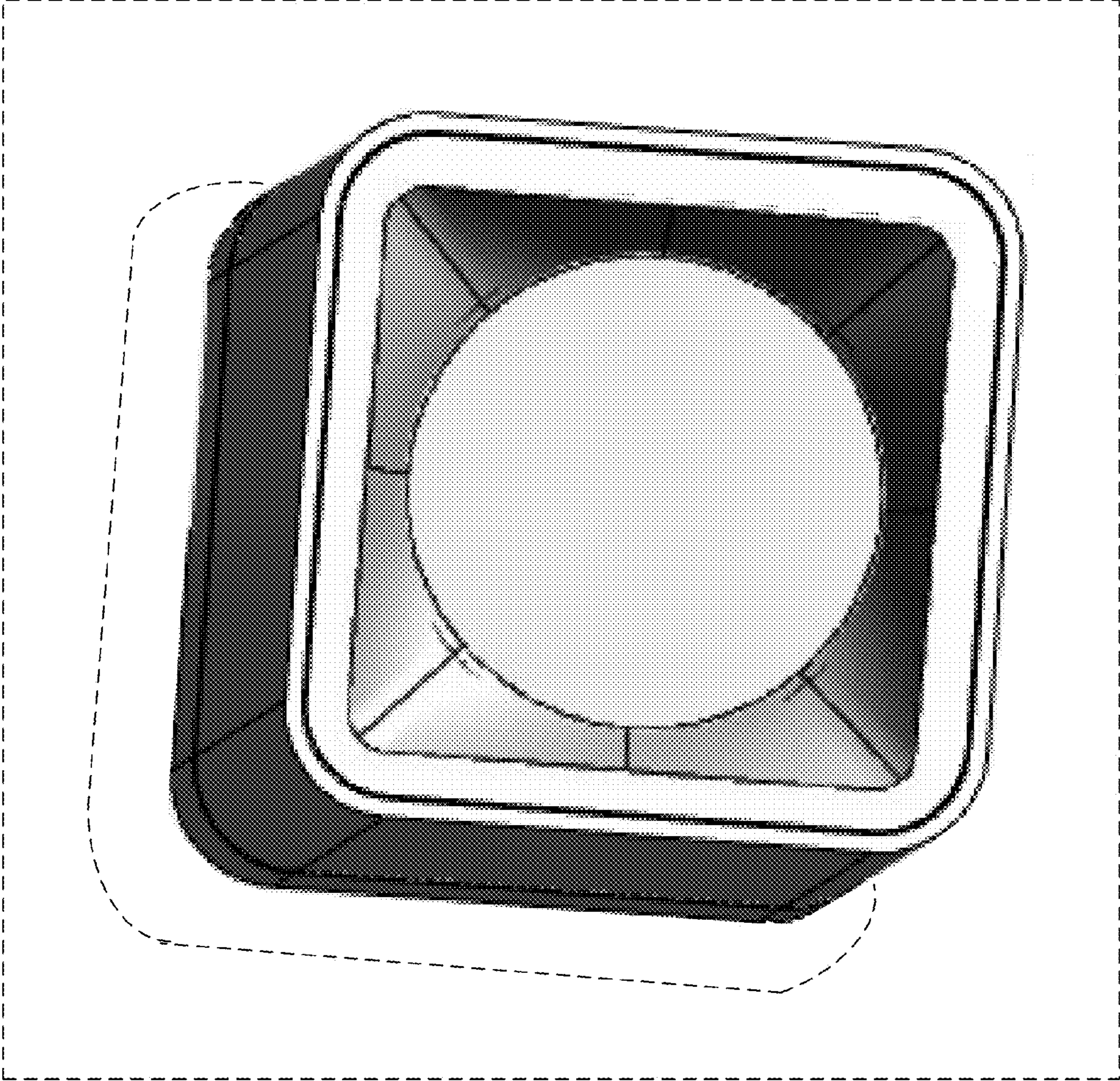


FIG. 8