



US00D925099S

(12) **United States Design Patent**  
**Wei**

(10) **Patent No.:** **US D925,099 S**

(45) **Date of Patent:** **\*\* Jul. 13, 2021**

(54) **PROJECTION LAMP**

(71) Applicant: **Jun Wei, Zhejiang (CN)**

(72) Inventor: **Jun Wei, Zhejiang (CN)**

(\*\*) Term: **15 Years**

(21) Appl. No.: **29/720,676**

(22) Filed: **Jan. 15, 2020**

(30) **Foreign Application Priority Data**

Aug. 16, 2019 (CN) ..... 201930445995.6

(51) **LOC (13) Cl.** ..... **26-03**

(52) **U.S. Cl.**  
USPC ..... **D26/106**

(58) **Field of Classification Search**  
USPC ..... D26/93, 106, 104  
CPC ..... F21V 3/00; F21V 5/007; F21W 2121/00;  
F21W 2131/30; F21W 2131/406; F21S  
6/00; F21S 6/002; F21S 10/00; F21S  
10/06

See application file for complete search history.

(56) **References Cited**

**U.S. PATENT DOCUMENTS**

D605,337 S \* 12/2009 Zhang ..... D26/93  
D689,221 S \* 9/2013 Isaac ..... D26/24

10,267,484 B2 \* 4/2019 Qiu ..... F21V 17/00  
D861,967 S \* 10/2019 Lin ..... D26/110  
D875,994 S \* 2/2020 Yu ..... D26/104  
D885,643 S \* 5/2020 Chen ..... D26/106  
D891,682 S \* 7/2020 Wei ..... D26/93

\* cited by examiner

*Primary Examiner* — Brian N. Vinson

(57) **CLAIM**

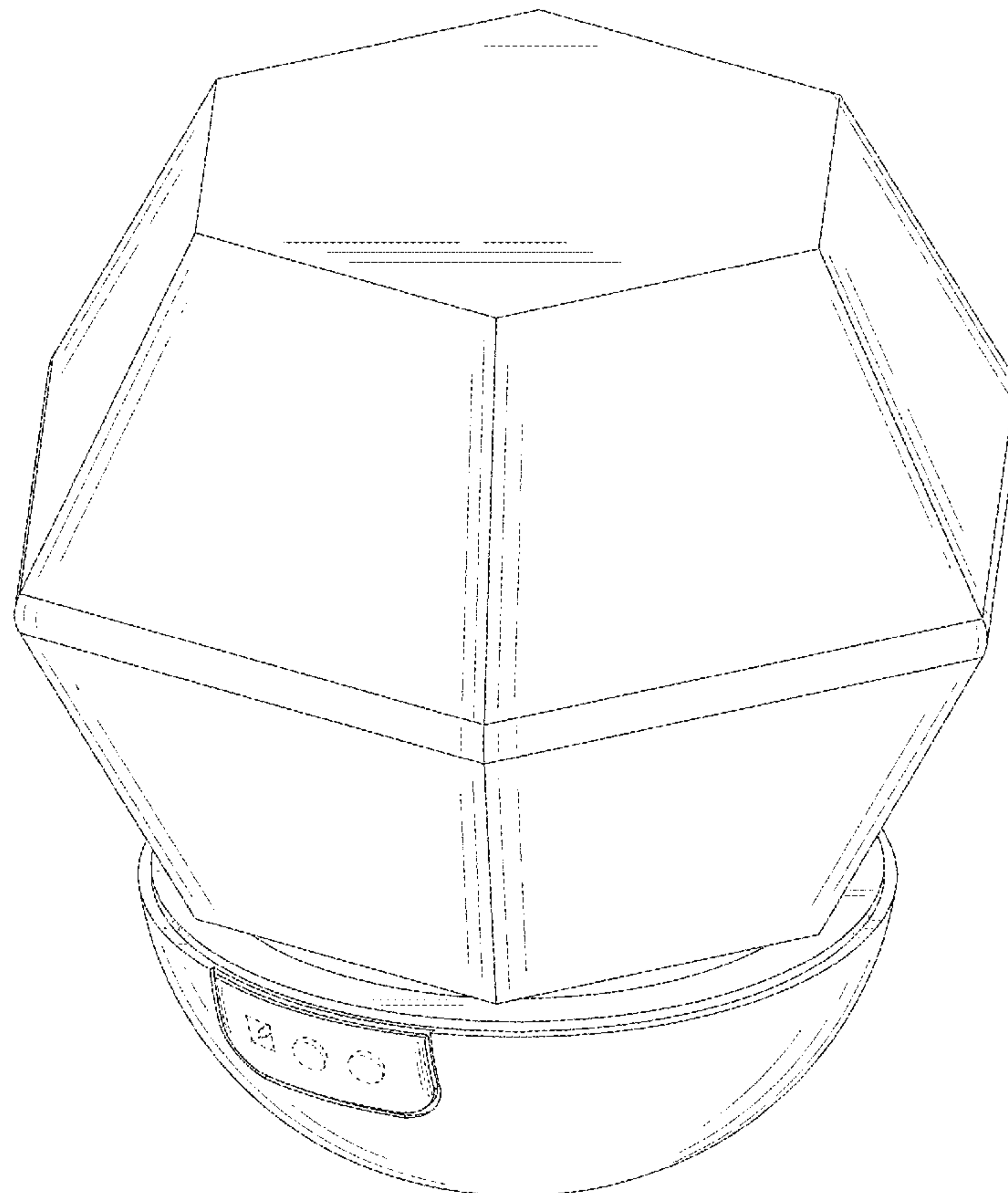
The ornamental design for a projection lamp, as shown and described.

**DESCRIPTION**

FIG. 1 is a perspective view of a projection lamp showing my new design;  
FIG. 2 is another perspective view;  
FIG. 3 is a front elevation view thereof;  
FIG. 4 is a back elevation view thereof;  
FIG. 5 is a left side view thereof;  
FIG. 6 is a right side view thereof;  
FIG. 7 is a top plan view thereof; and,  
FIG. 8 is a bottom plan view thereof.

The broken lines in the drawing depict environmental subject matter only and form no part of the claimed design.

**1 Claim, 8 Drawing Sheets**



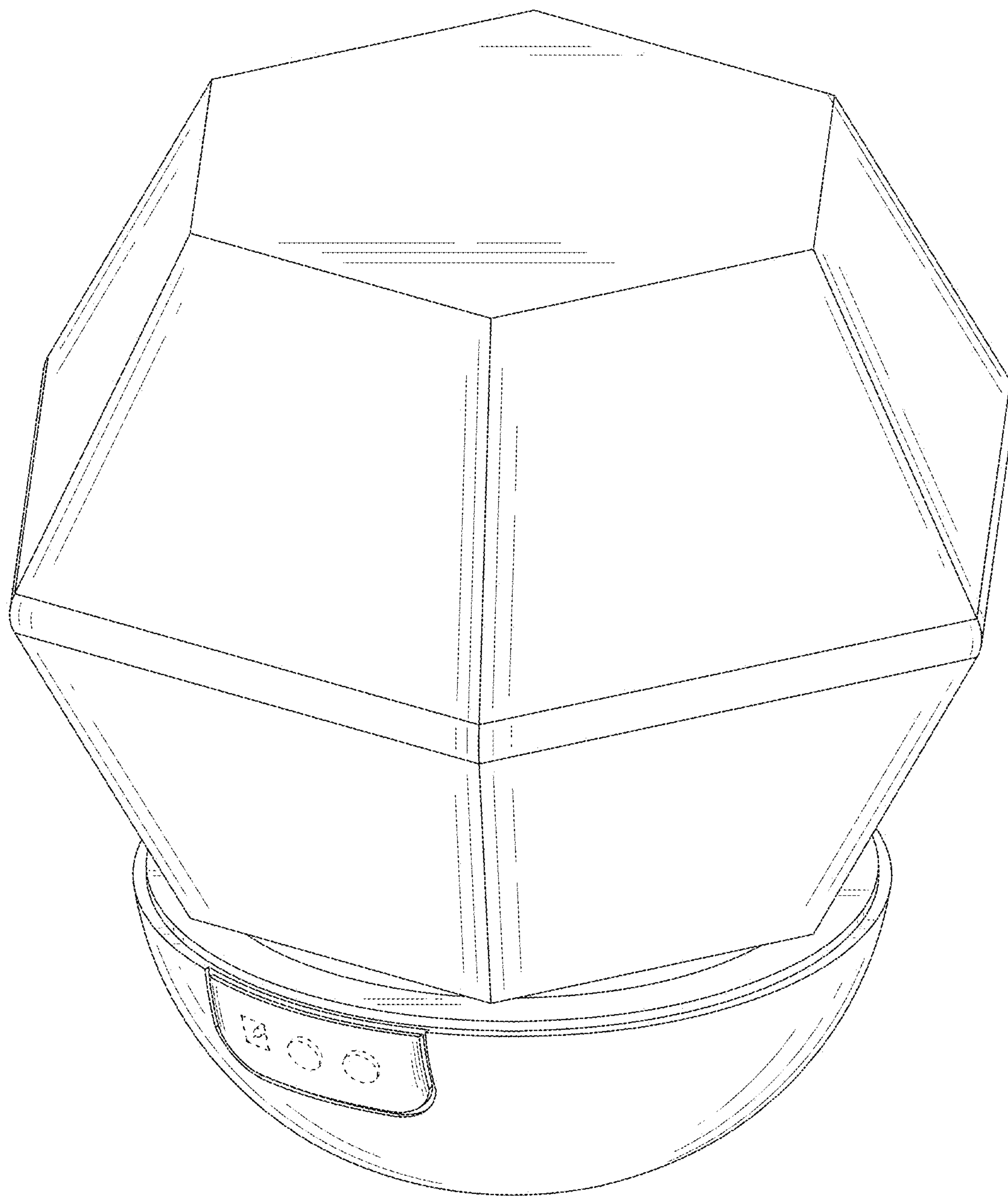


FIG. 1

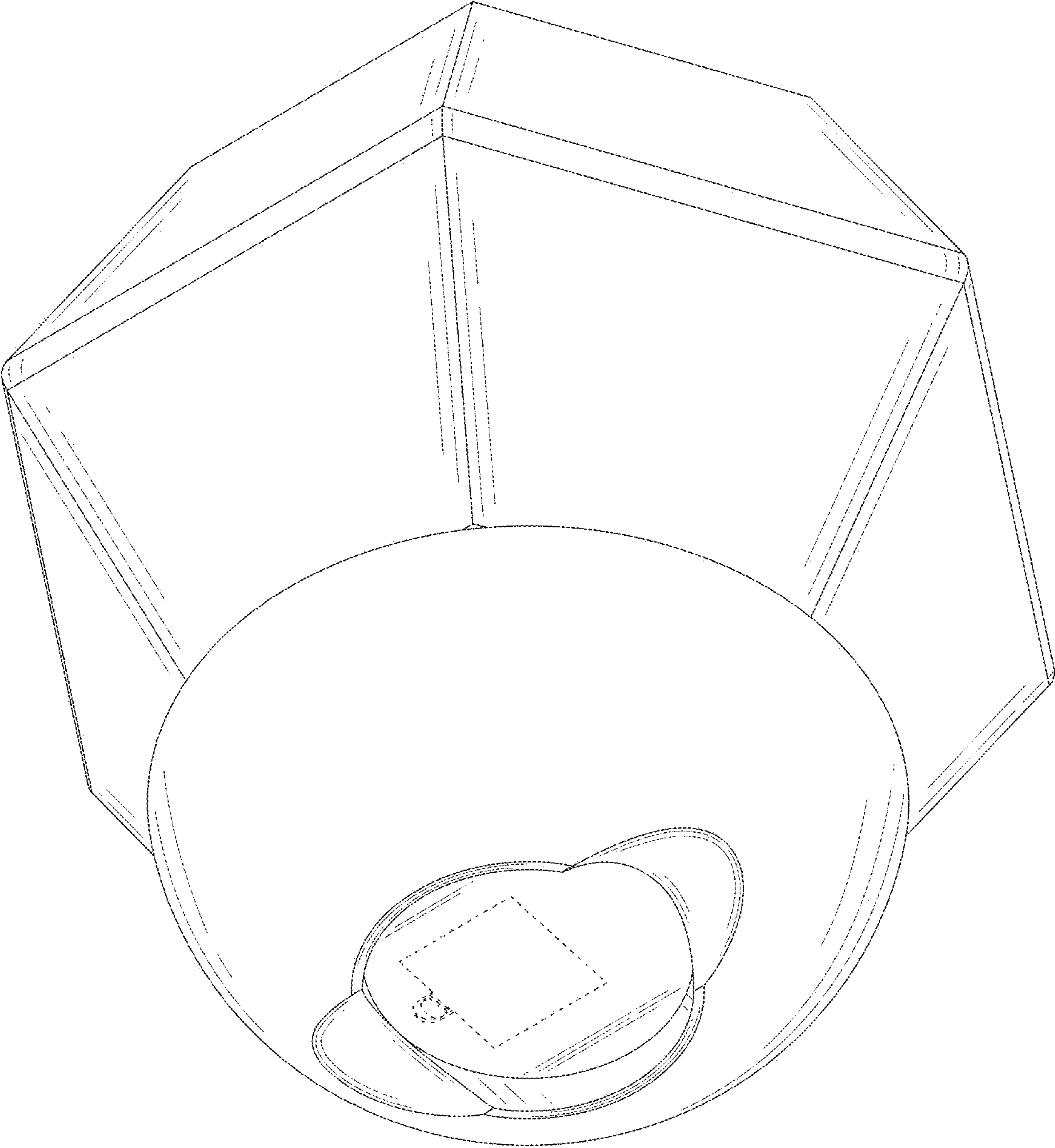


FIG. 2

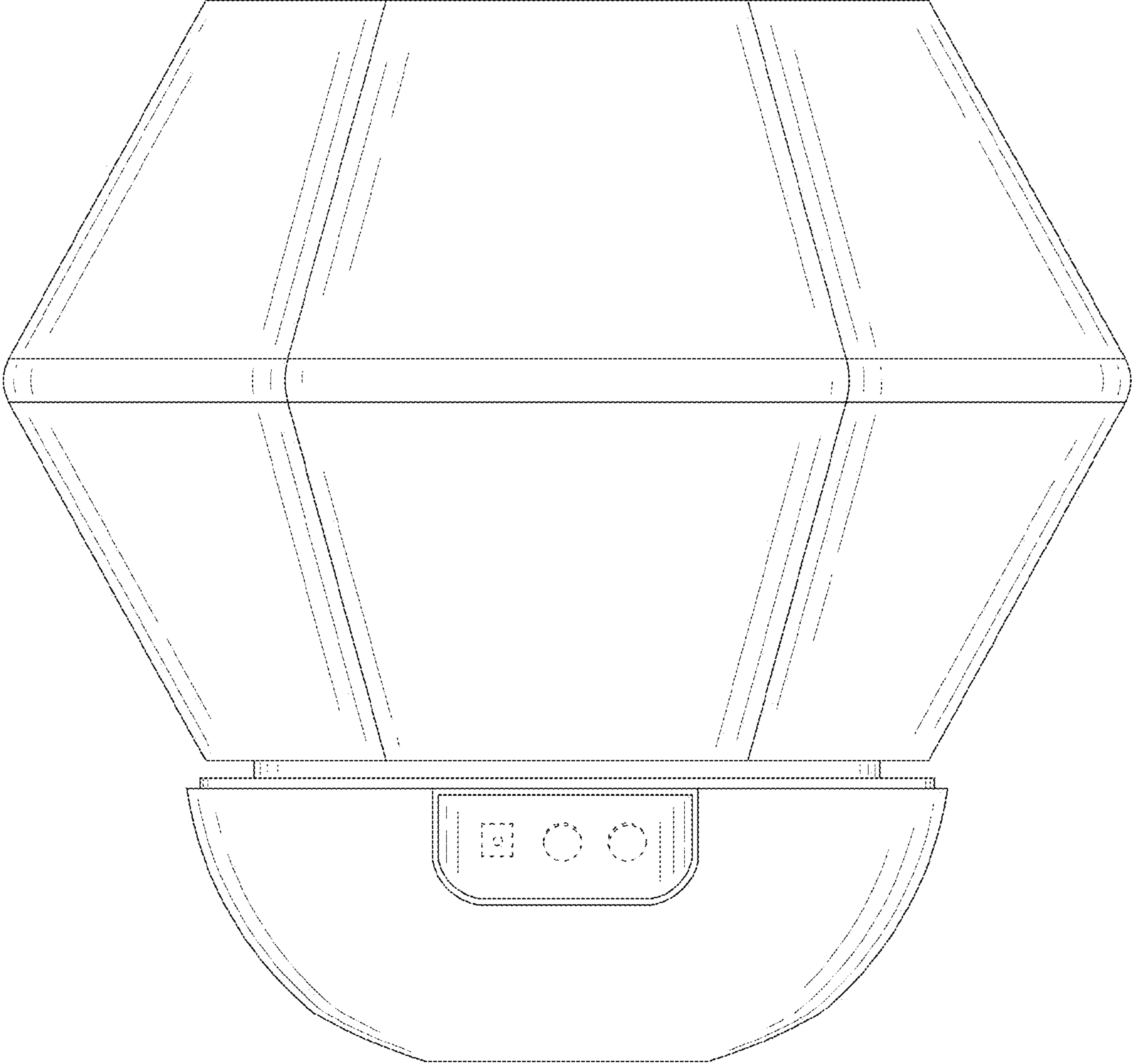


FIG. 3

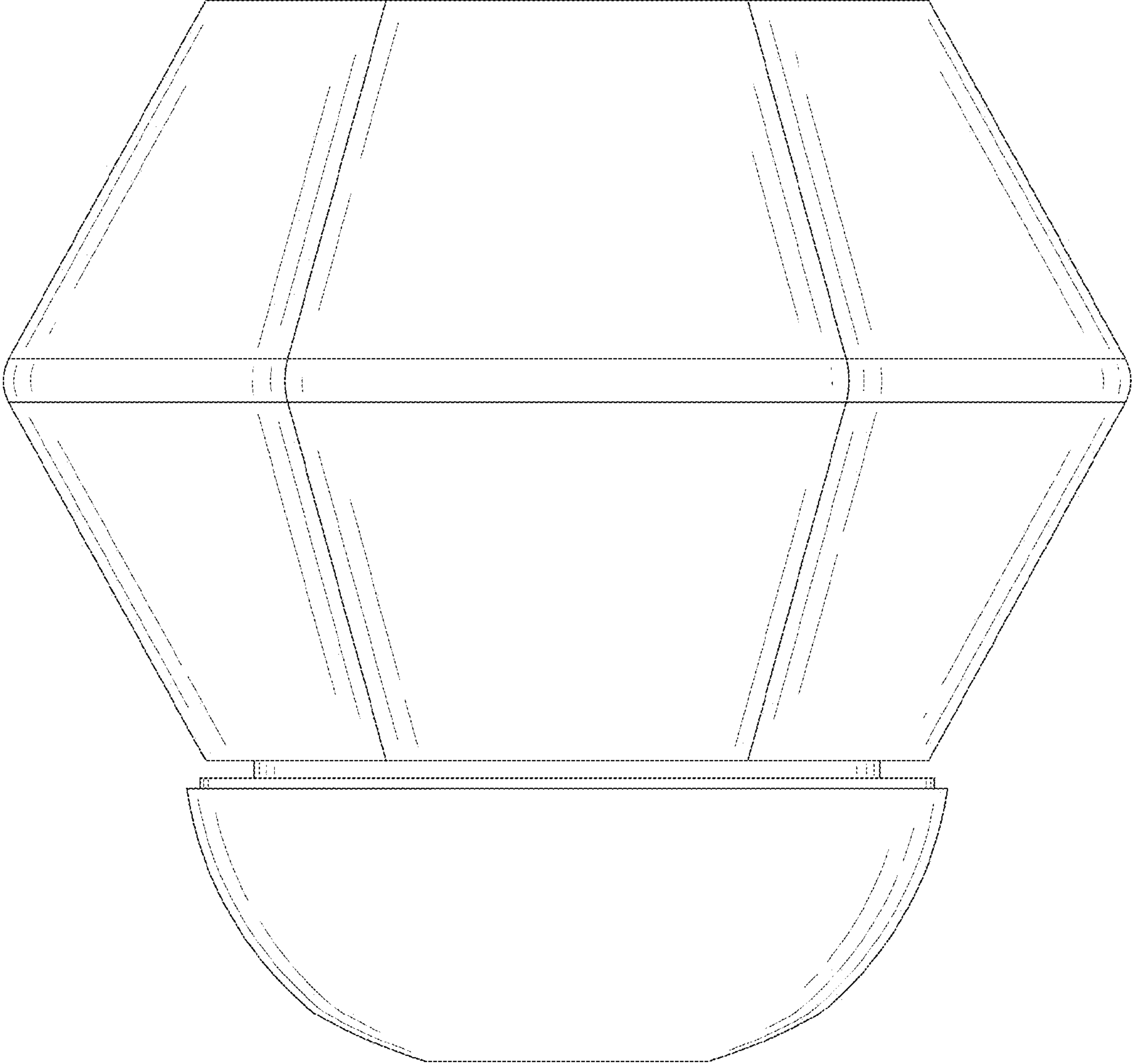


FIG. 4



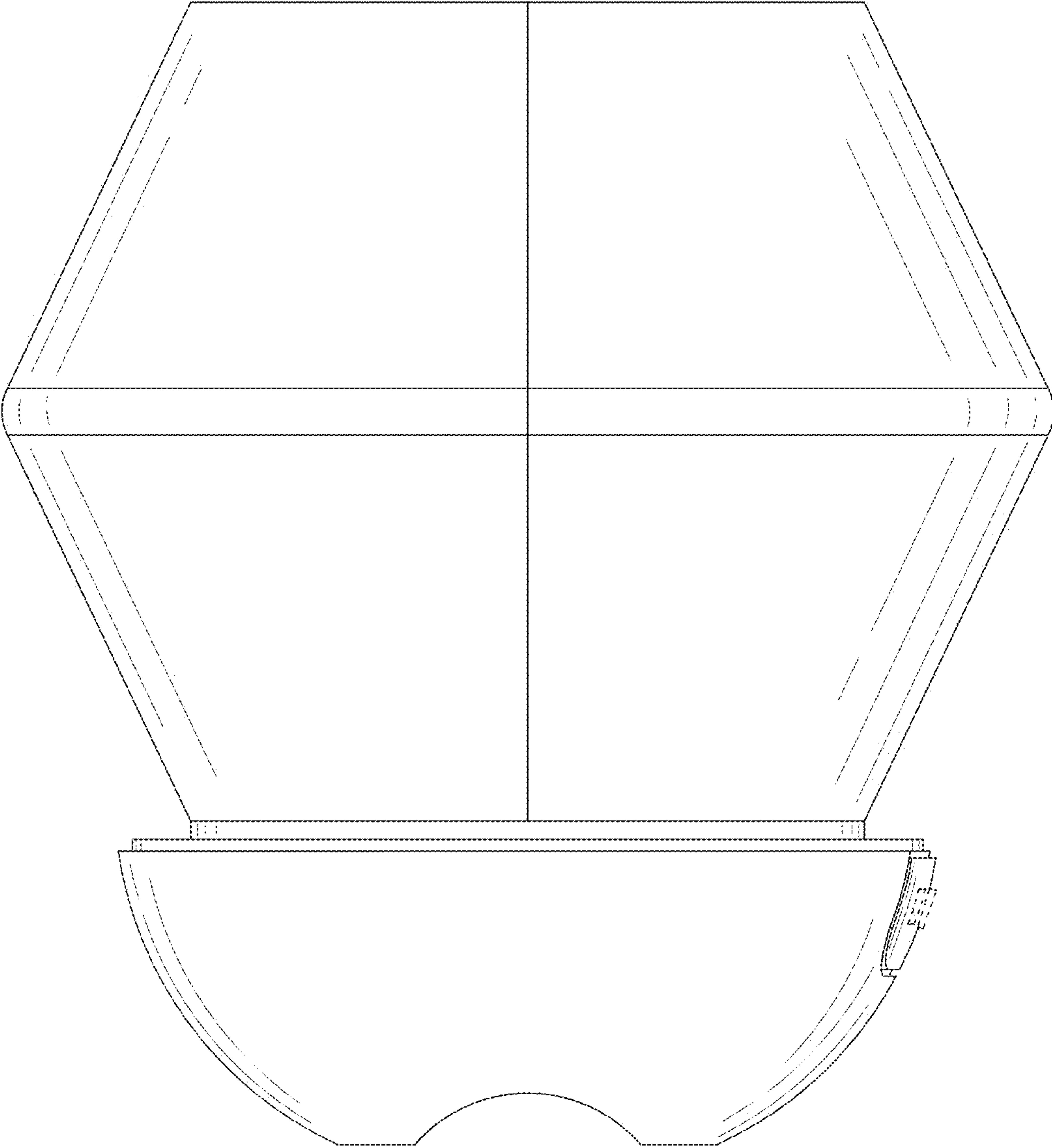


FIG. 5

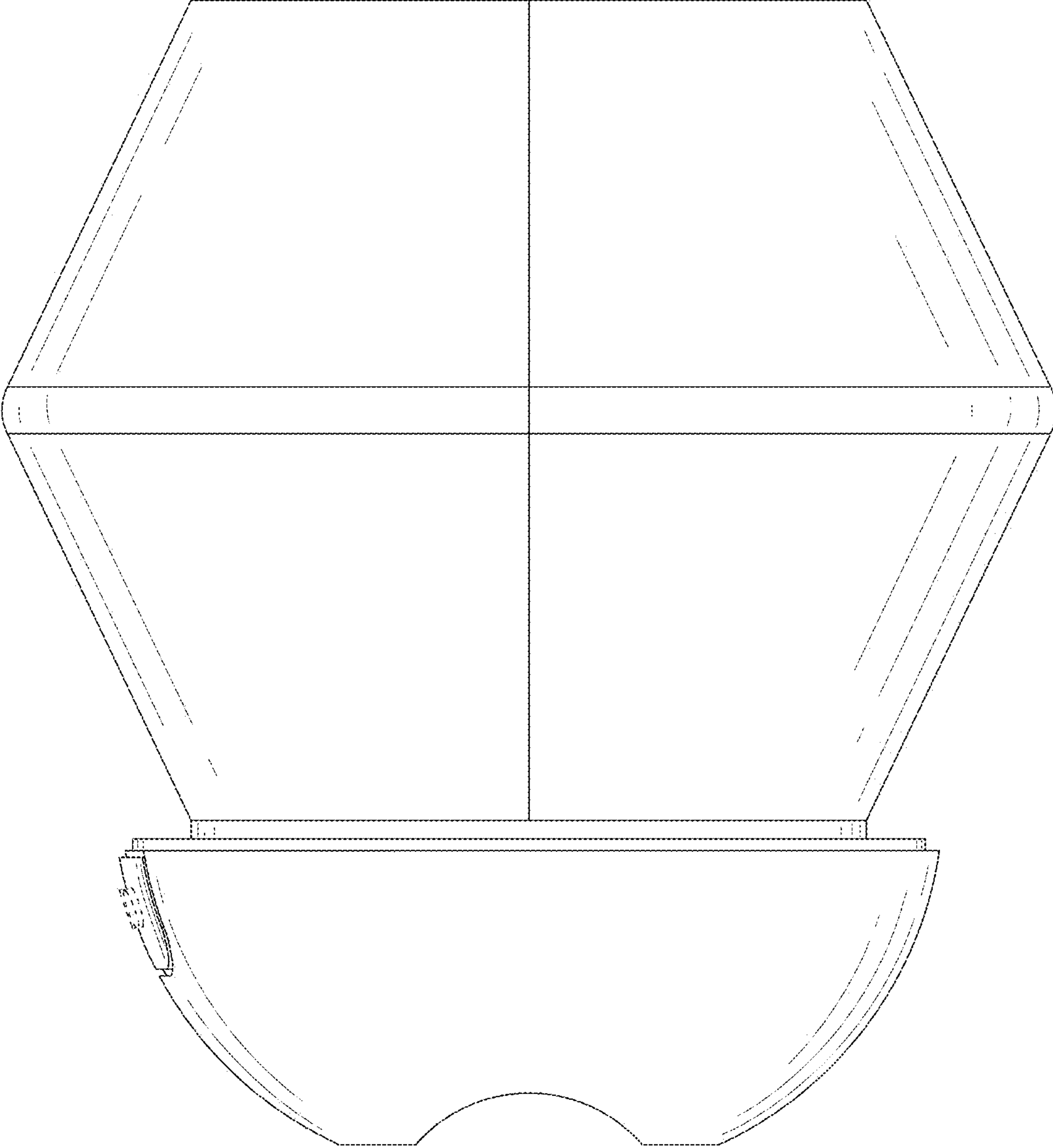


FIG. 6

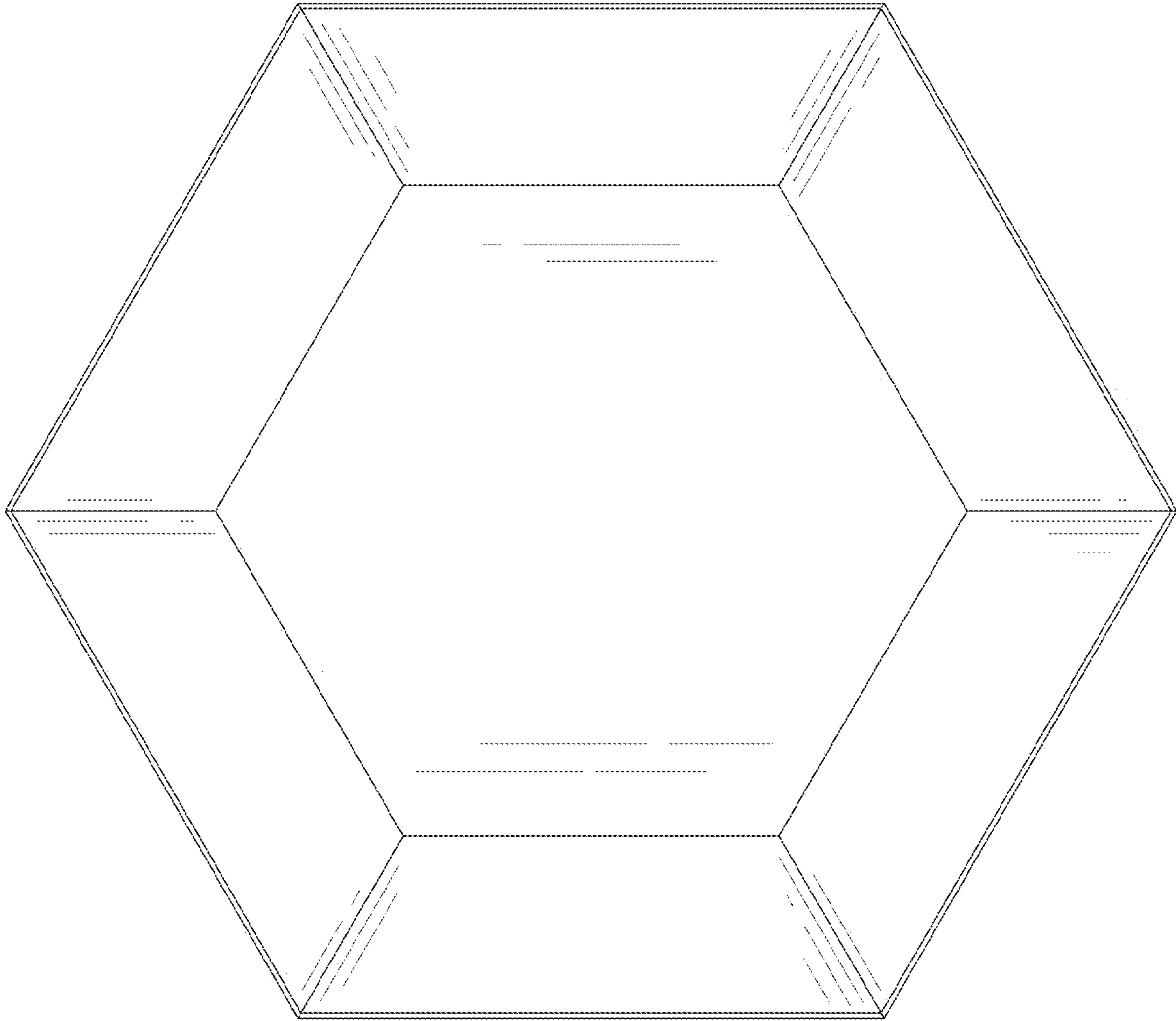


FIG. 7



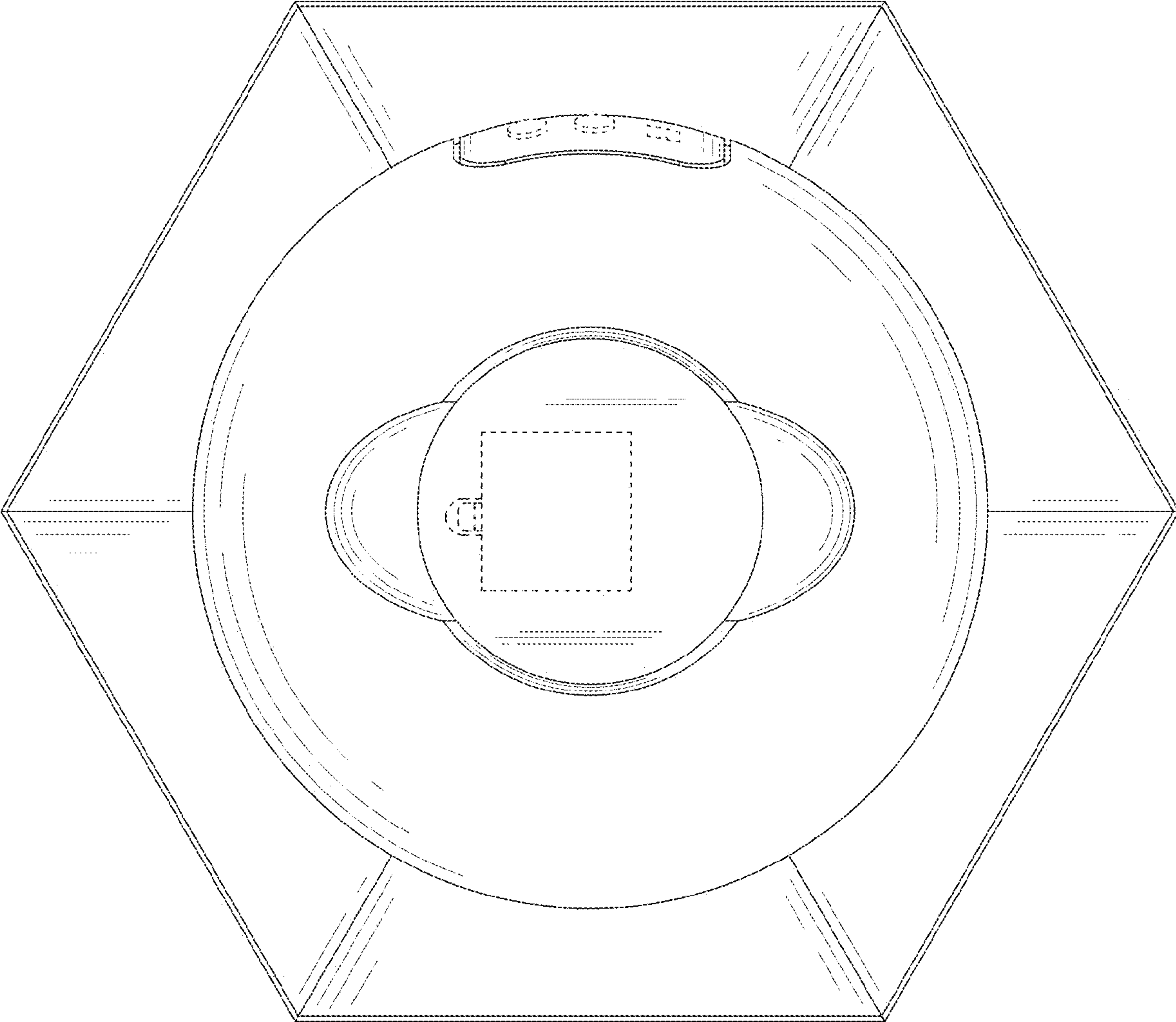


FIG. 8