

US00D925098S

(12) **United States Design Patent** (10) **Patent No.:** **US D925,098 S**  
**Luo** (45) **Date of Patent:** **\*\* Jul. 13, 2021**

(54) **TABLE LAMP**  
(71) Applicant: **Xiaojun Luo**, Guangdong (CN)  
(72) Inventor: **Xiaojun Luo**, Guangdong (CN)  
(73) Assignee: **Xiaojun Luo**  
(\*\*) Term: **15 Years**  
(21) Appl. No.: **29/710,214**  
(22) Filed: **Oct. 22, 2019**  
(51) **LOC (13) Cl.** ..... **26-05**  
(52) **U.S. Cl.**  
USPC ..... **D26/93**  
(58) **Field of Classification Search**  
USPC ..... D26/19, 24, 51, 61, 62, 72, 85, 93, 94,  
D26/97, 101, 106, 107, 108, 110, 112  
CPC .... F21S 6/00; F21S 6/002; F21S 6/003; F21S  
6/004; F21S 6/005; F21S 6/006; F21S  
6/007; F21S 6/008; F21S 9/02; F21V  
1/00; F21V 1/02; F21V 1/08; F21W  
2131/00; F21W 2131/30; F21W 2131/301  
See application file for complete search history.

(56) **References Cited**  
U.S. PATENT DOCUMENTS  
D431,315 S \* 9/2000 Sekine ..... D26/93  
D525,739 S \* 7/2006 Wu ..... D26/93  
D553,788 S \* 10/2007 Holmes ..... D26/93  
D576,759 S \* 9/2008 Meeker ..... D26/101

D589,641 S \* 3/2009 Sabernig ..... D26/93  
D614,798 S \* 4/2010 Sabernig ..... D26/110  
D614,799 S \* 4/2010 Sabernig ..... D26/110  
D630,370 S \* 1/2011 Meeker ..... D26/93  
D744,151 S \* 11/2015 Wu ..... D26/101  
D882,154 S \* 4/2020 Zheng ..... D26/110  
D896,430 S \* 9/2020 Kim ..... D26/93  
2003/0218883 A1 \* 11/2003 Thevenot ..... F21V 1/00  
362/362  
2012/0020069 A1 \* 1/2012 Chang ..... F21V 13/02  
362/224  
2018/0135845 A1 \* 5/2018 Chen ..... F21V 23/06

\* cited by examiner

*Primary Examiner* — Wan Laymon  
*Assistant Examiner* — Clint A Samuel

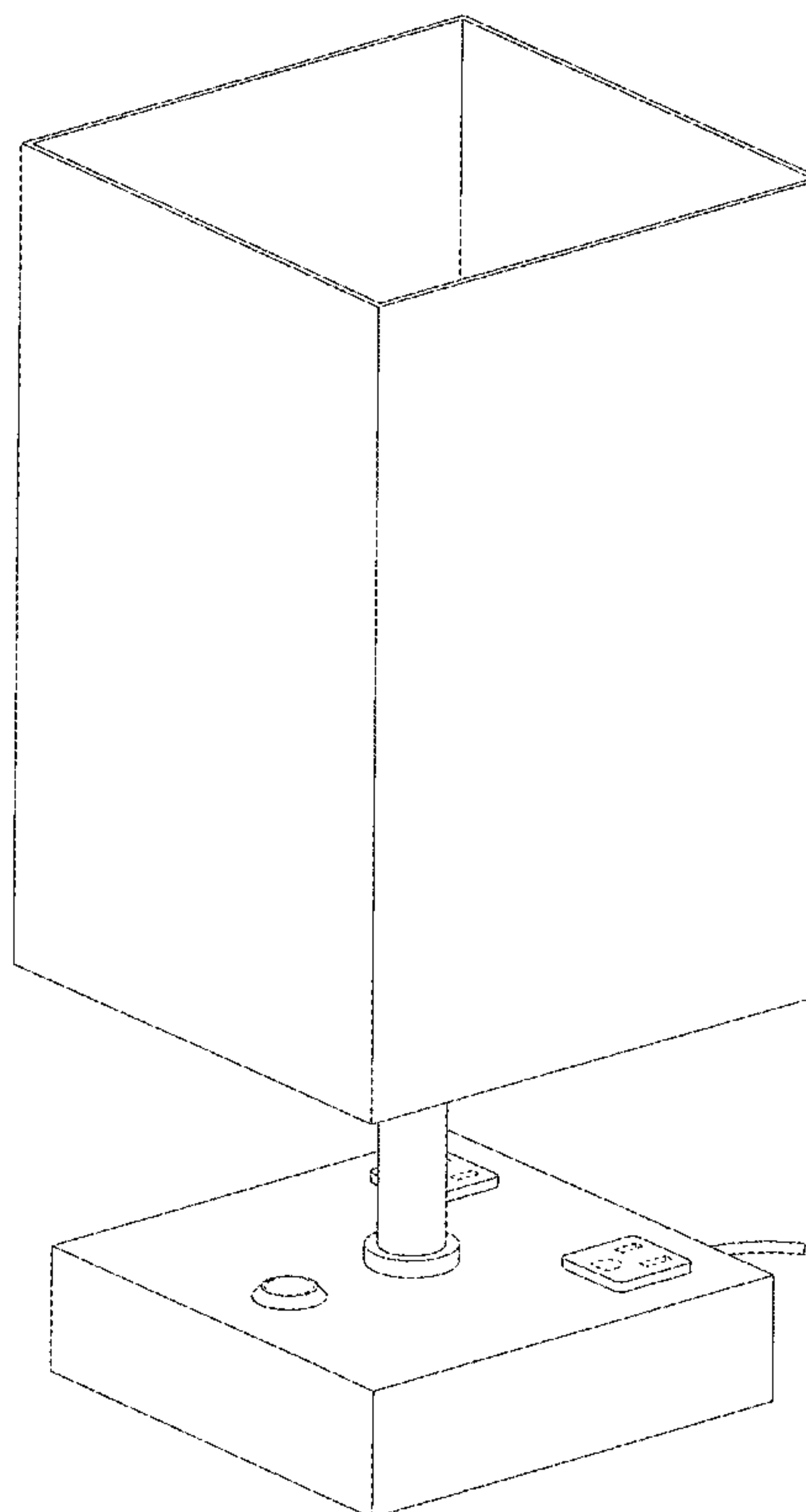
(57) **CLAIM**

The ornamental design for a table lamp, as shown and described.

**DESCRIPTION**

FIG. 1 is a perspective view of a table lamp showing the claimed design;  
FIG. 2 is a top plan view thereof;  
FIG. 3 is a rear elevational view thereof;  
FIG. 4 is a bottom plan view thereof;  
FIG. 5 is a right side view thereof;  
FIG. 6 is a front elevational view thereof; and,  
FIG. 7 is a left side view thereof.  
The broken lines depict portions of the table lamp and form no part of the claimed design.

**1 Claim, 7 Drawing Sheets**



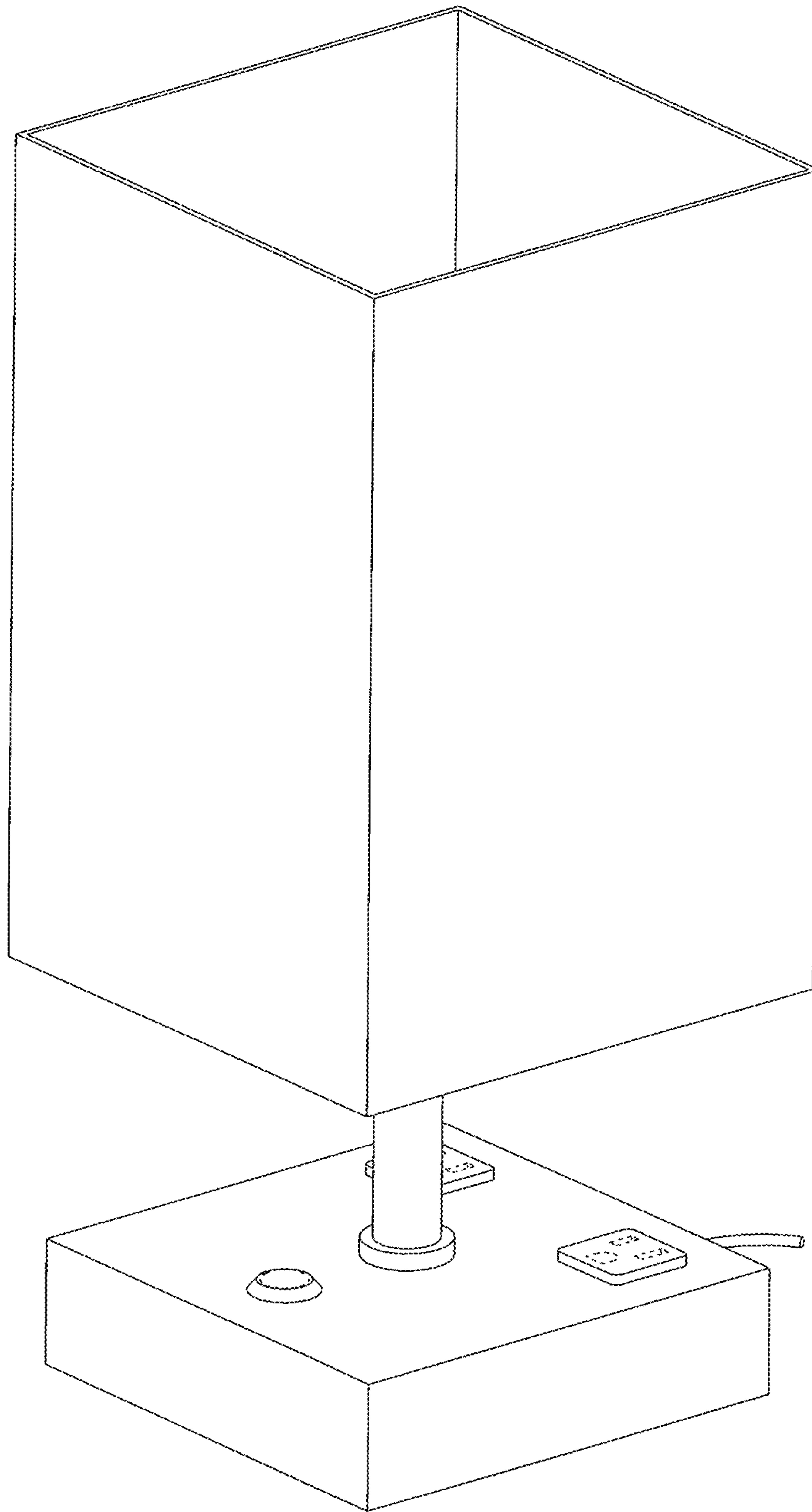


FIG.1

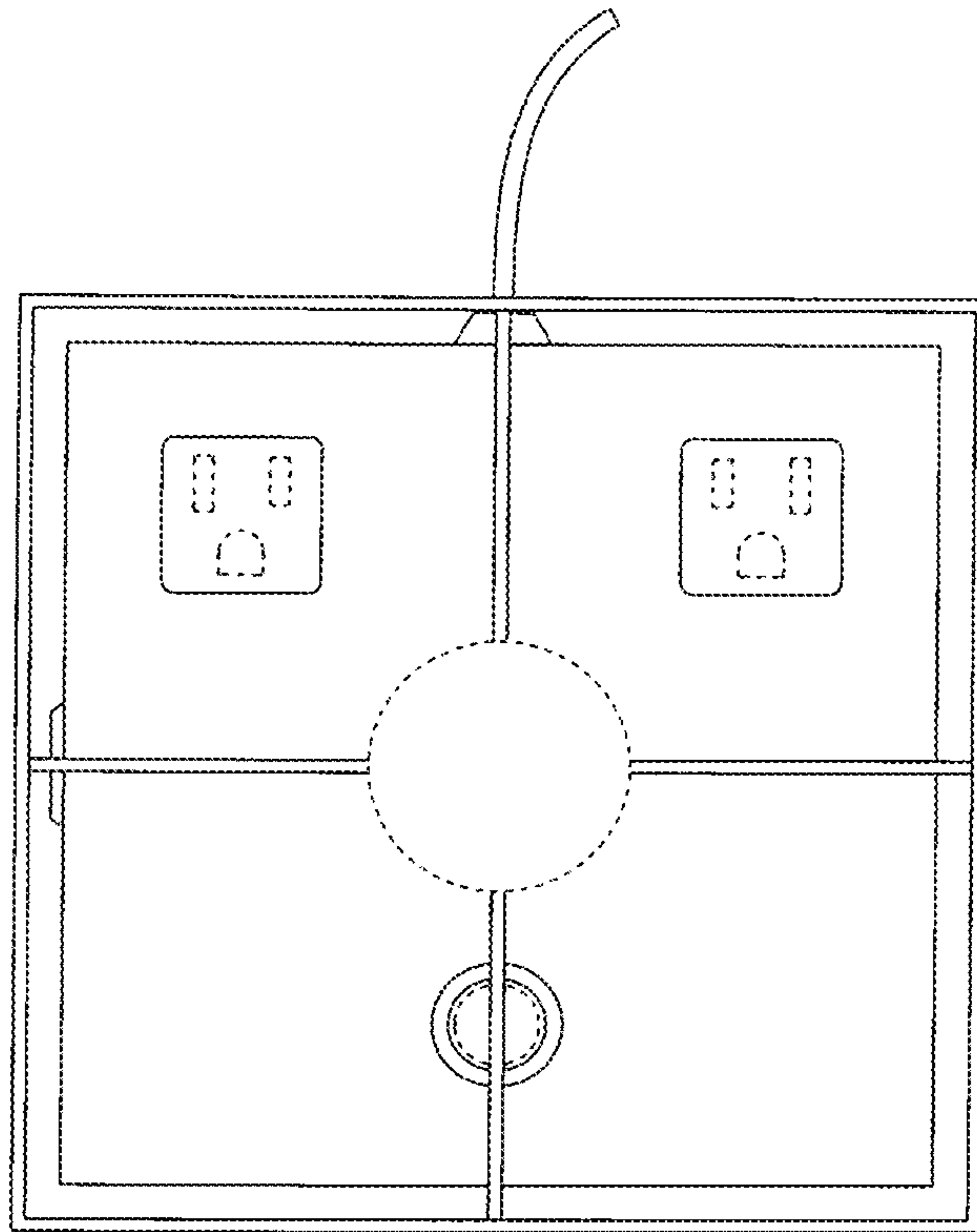


FIG.2

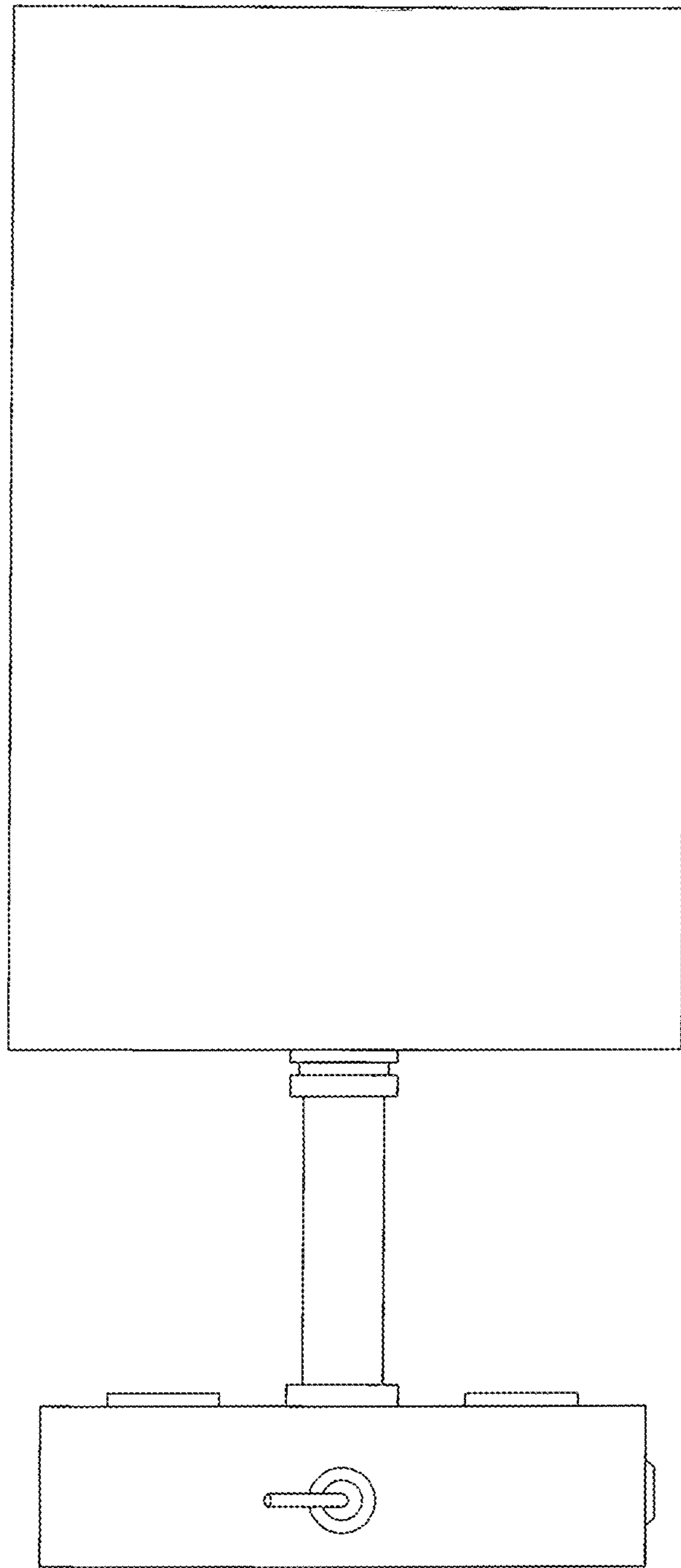


FIG. 3

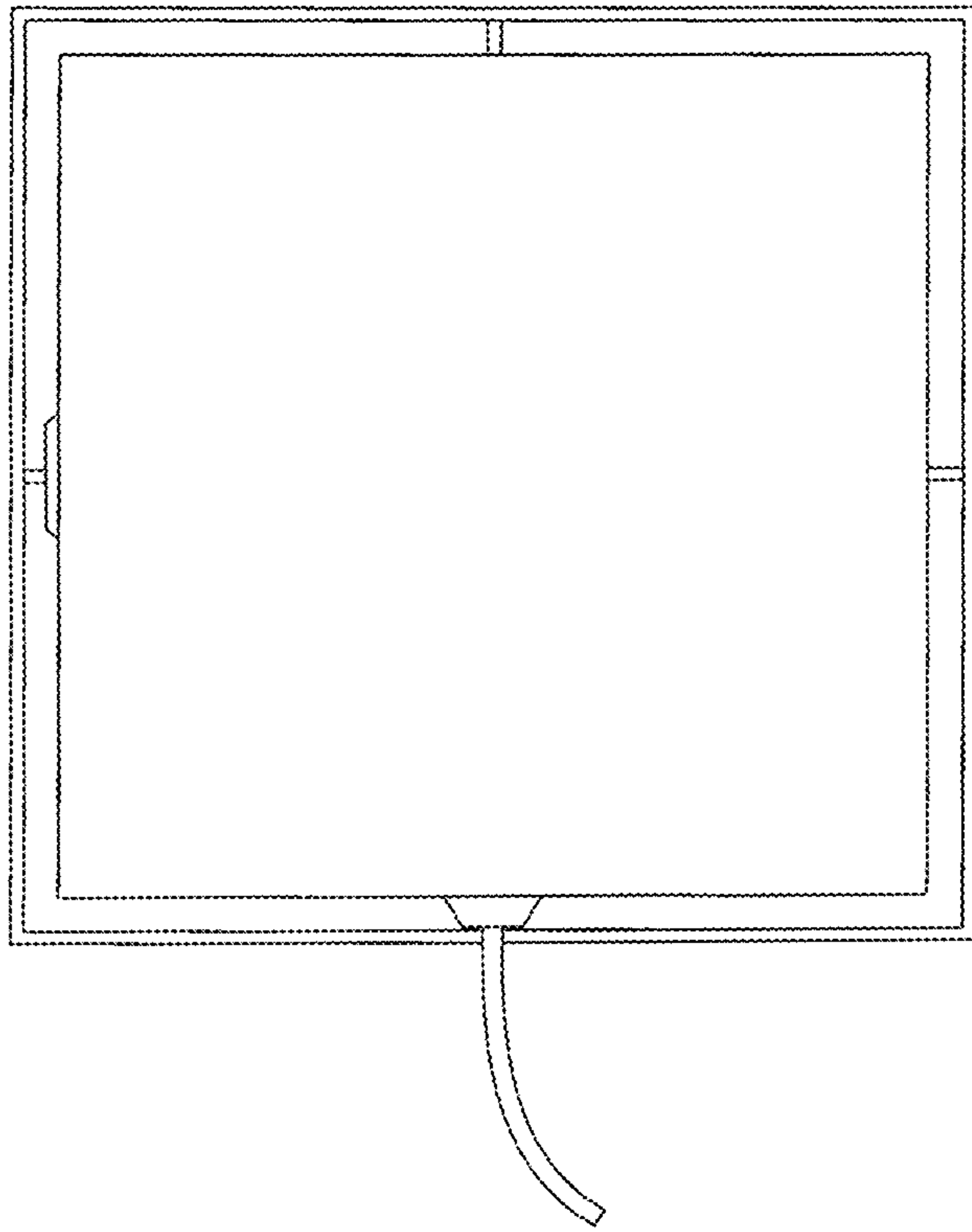


FIG.4

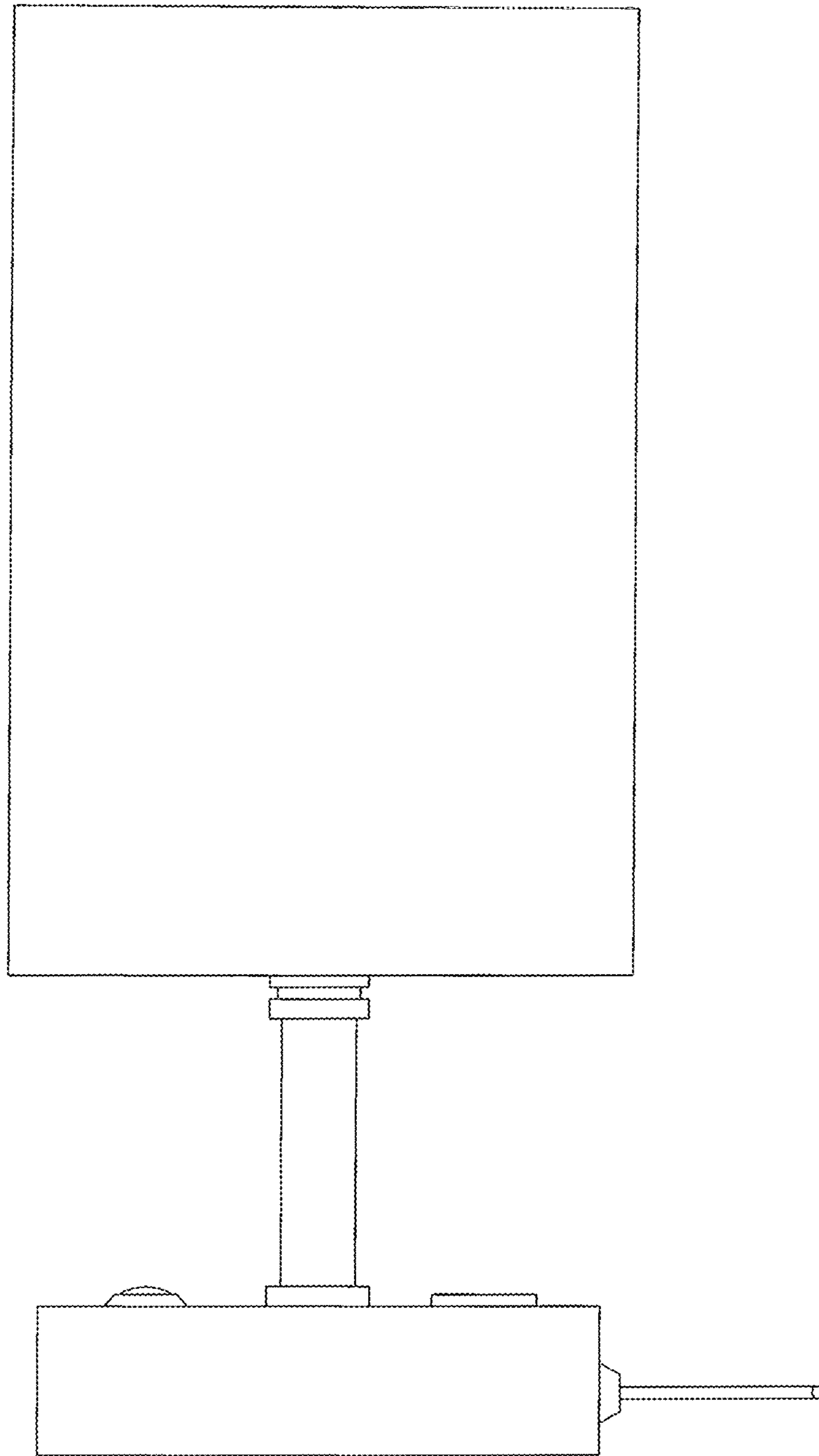


FIG. 5

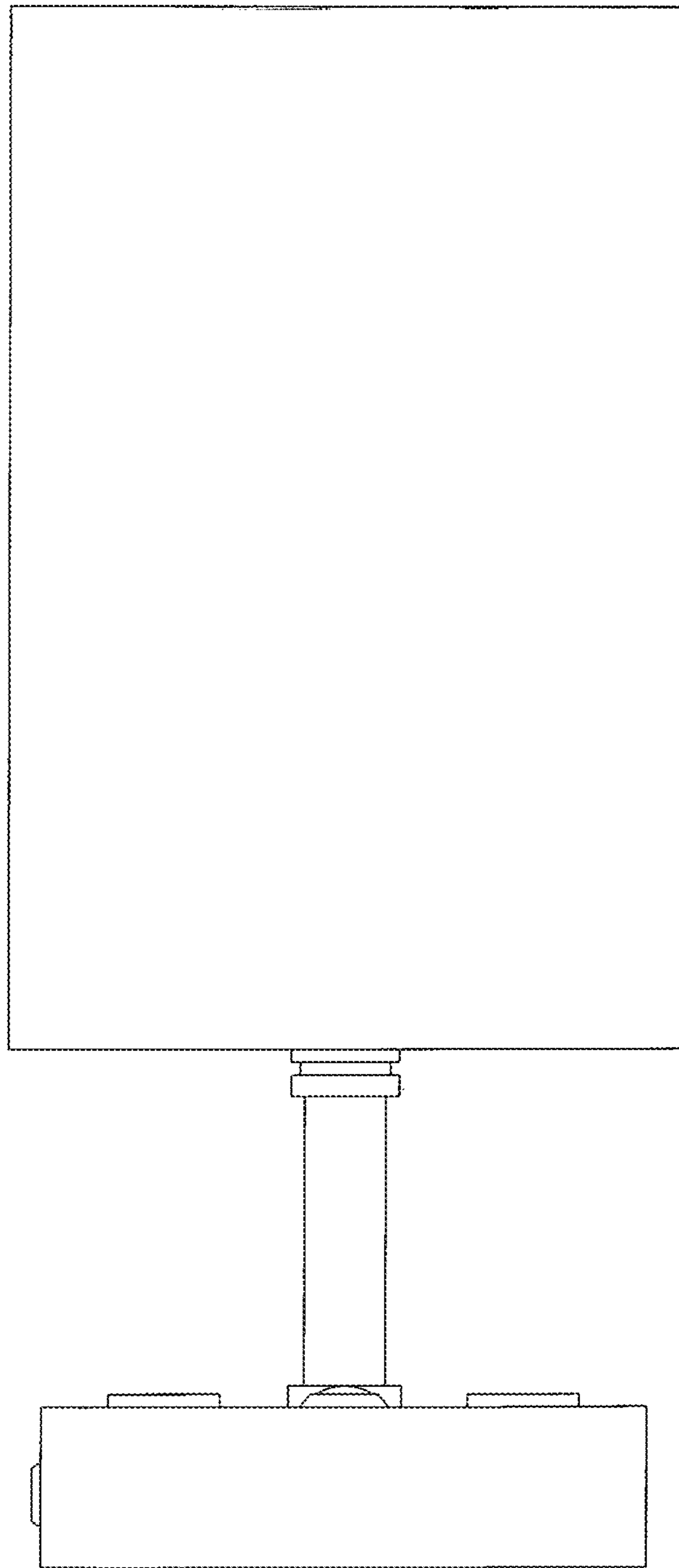


FIG. 6

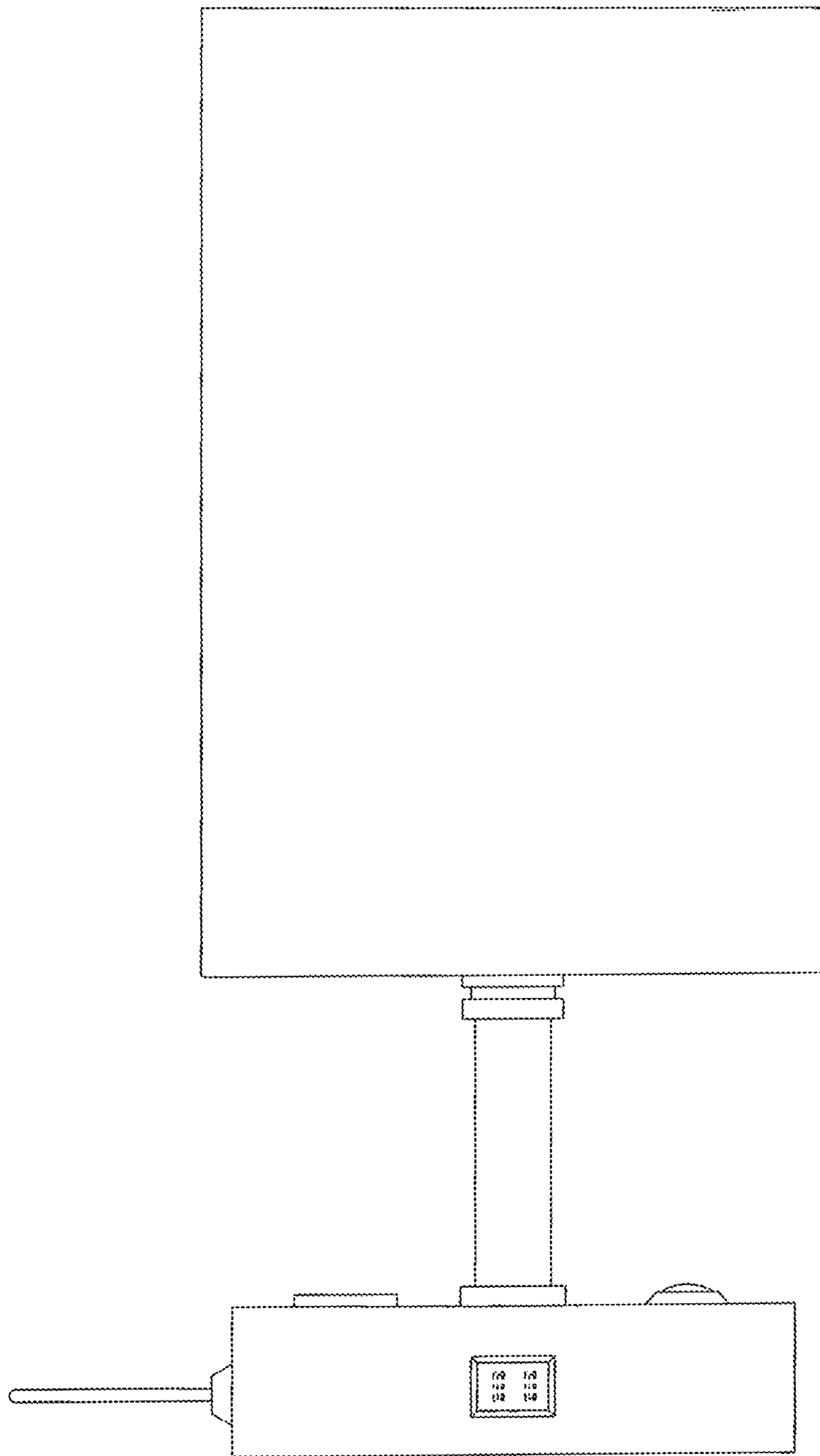


FIG. 7