



US00D925096S

(12) **United States Design Patent**
Nankil

(10) **Patent No.:** **US D925,096 S**

(45) **Date of Patent:** **** Jul. 13, 2021**

(54) **WALL MOUNTED LIGHT FIXTURE HAVING STRUTS**

(71) Applicant: **Hubbell Incorporated**, Shelton, CT (US)

(72) Inventor: **Robert R. Nankil**, Buena Park, CA (US)

(73) Assignee: **Hubbell Incorporated**, Shelton, CT (US)

(**) Term: **15 Years**

(21) Appl. No.: **29/684,021**

(22) Filed: **Mar. 18, 2019**

Related U.S. Application Data

(62) Division of application No. 29/586,675, filed on Dec. 6, 2016, now Pat. No. Des. 844,883, which is a division of application No. 29/521,589, filed on Mar. 25, 2015, now Pat. No. Des. 773,716, which is a division of application No. 29/487,955, filed on Apr. 14, 2014, now Pat. No. Des. 728,143, which is a division of application No. 29/458,995, filed on Jun. 25, 2013, now Pat. No. Des. 705,476, which is a division of application No. 29/411,733, filed on Jan. 25, 2012, now Pat. No. Des. 689,646.

(51) **LOC (13) Cl.** **26-03**

(52) **U.S. Cl.**
USPC **D26/87; D26/85**

(58) **Field of Classification Search**
USPC D26/67-70, 72, 73, 85, 87, 92
CPC F21S 8/03; F21S 8/033; F21S 8/036; F21S 8/081; F21W 2111/102; F21W 2111/023; F21W 2131/109
See application file for complete search history.

(56) **References Cited**

U.S. PATENT DOCUMENTS

D40,241 S	8/1909	Greenwald
999,813 A	8/1911	Losey
1,019,246 A	3/1912	Godinez et al.
1,082,753 A	12/1913	Losey
D50,542 S	3/1917	Wellman
D51,053 S	7/1917	Wellman
1,473,380 A	11/1923	Peterson
1,732,745 A	10/1929	Erskine
D82,136 S	9/1930	Chapman

(Continued)

FOREIGN PATENT DOCUMENTS

GB	2025424	9/1992
GB	2044993	2/1995

(Continued)

OTHER PUBLICATIONS

Architectural Area Lighting, Venere Series Catalog, Jan. 2007, pp. 1-20, US.

Primary Examiner — Clare E Heflin

(74) *Attorney, Agent, or Firm* — Michael Best & Friedrich LLP

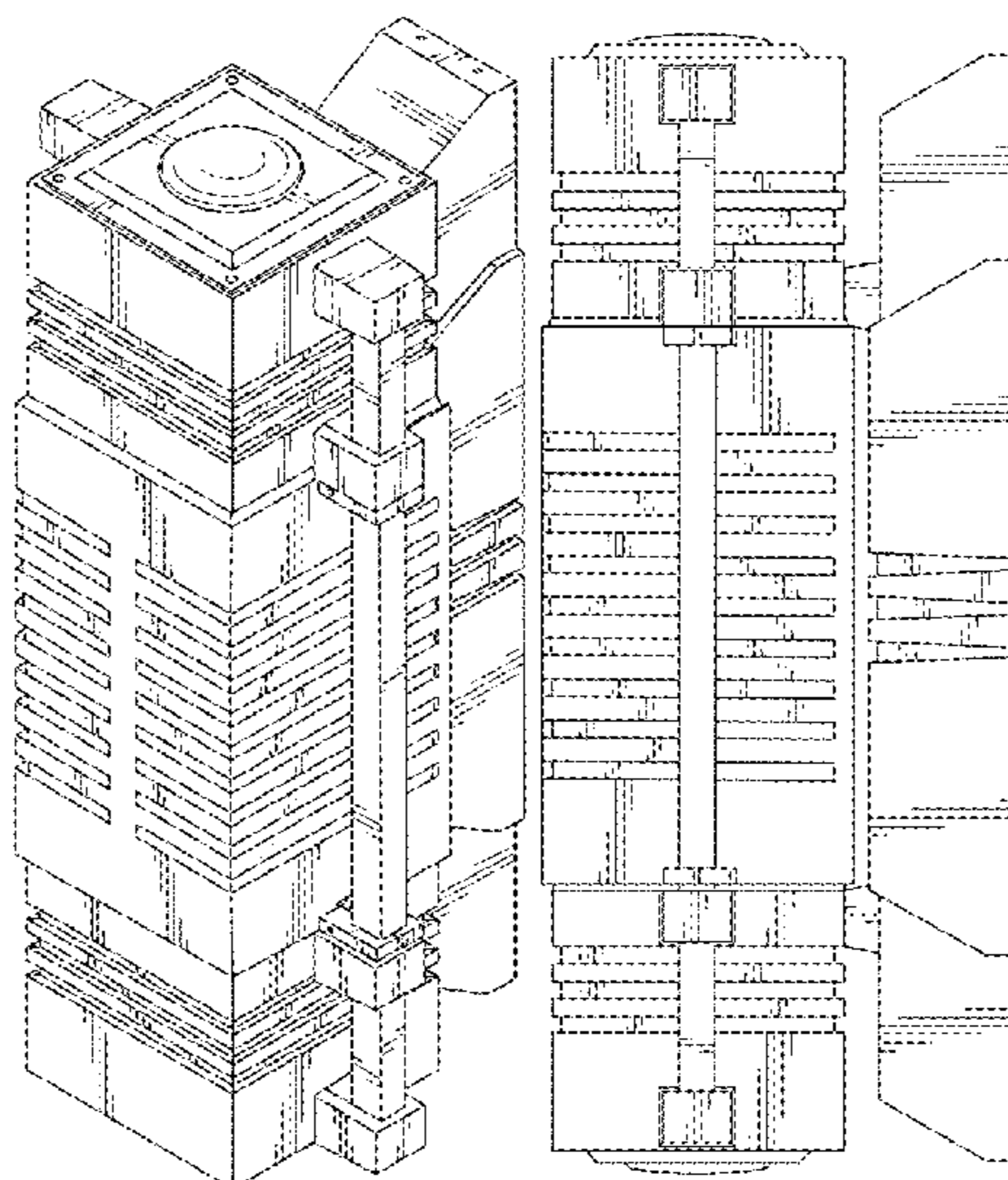
(57) **CLAIM**

The ornamental design for a wall mounted light fixture having struts, as shown and described.

DESCRIPTION

FIG. 1 is a top perspective view of the wall mounted light fixture having struts showing the new design;
FIG. 2 is a top view of the lighting fixture of FIG. 1;
FIG. 3 is a front view of the lighting fixture of FIG. 1;
FIG. 4 is a right side view of the lighting fixture of FIG. 1 where the left side view is a mirror image thereof;
FIG. 5 is a rear view of the lighting fixture of FIG. 1;
FIG. 6 is a bottom perspective view of the lighting fixture of FIG. 1; and,
FIG. 7 is a bottom view of the lighting fixture of FIG. 1.

1 Claim, 2 Drawing Sheets



(56)

References Cited

U.S. PATENT DOCUMENTS

D85,931 S 1/1932 Graff
 D100,556 S 7/1936 Gosling
 D125,314 S 2/1941 Proulx
 D138,831 S 9/1944 McCann
 D152,994 S 3/1949 McCann
 D154,302 S 6/1949 Palmquist
 2,523,818 A 9/1950 Cortes
 D160,899 S 11/1950 Stevens
 2,793,285 A 5/1957 Brainerd
 D185,974 S 8/1959 Rambusch et al.
 D194,624 S 2/1963 Pettengill
 D199,266 S 9/1964 Izzi
 D199,409 S 10/1964 Von Steenhoven
 3,194,952 A 7/1965 Wells
 D206,881 S 2/1967 Moranduzzo
 D208,659 S 9/1967 Koziol
 D211,277 S 6/1968 Layton
 D219,022 S 10/1970 Yamazaki
 3,833,804 A 9/1974 Vesely
 D235,677 S 7/1975 Goldberg
 D235,914 S 7/1975 Schacht
 D239,460 S 4/1976 Schacht
 D245,724 S 9/1977 Schemenauer
 4,069,415 A 1/1978 Dacal
 D298,861 S 12/1988 Ewing et al.
 4,858,088 A 8/1989 Agabekov
 4,951,184 A 8/1990 Makurof
 D315,421 S 3/1991 Goldschmidt
 D338,977 S 8/1993 Ewing et al.
 5,384,694 A 1/1995 Yang
 5,430,631 A 7/1995 Dick
 D362,082 S 9/1995 McDowell
 D383,238 S 9/1997 Chen
 D403,097 S 12/1998 Littman
 D411,030 S 6/1999 Chen
 D427,349 S 6/2000 Landefeld
 D427,350 S 6/2000 Landefeld
 D427,351 S 6/2000 Landefeld
 D427,705 S 7/2000 Landefeld
 D444,584 S 7/2001 Landefeld
 D453,388 S 2/2002 Leen
 D465,296 S 11/2002 DiPasquale
 6,494,599 B1 12/2002 Leen
 D473,333 S 4/2003 Willmorth
 D506,281 S 6/2005 Randazzo et al.
 D518,221 S 3/2006 Randazzo et al.
 7,066,613 B2 6/2006 Vishwamitra
 D524,475 S 7/2006 Randazzo et al.
 D535,427 S 1/2007 Chandler
 D537,189 S 2/2007 Zhang
 D537,556 S 2/2007 Summerford et al.
 D553,286 S 10/2007 Chung et al.
 D563,016 S 2/2008 Ho et al.
 D563,584 S 3/2008 Lee et al.

D566,879 S 4/2008 Jamelle et al.
 7,387,409 B1 6/2008 Beadle
 D580,084 S 11/2008 Walsh
 D580,581 S 11/2008 Grant
 D583,494 S 12/2008 Friedman et al.
 7,473,016 B2 1/2009 Flaherty et al.
 D586,493 S 2/2009 Parres
 D589,194 S 3/2009 Sabernig
 D594,152 S 6/2009 Miranda
 D597,696 S 8/2009 Sabernig
 D601,291 S 9/2009 Nankil
 D604,439 S * 11/2009 Chen D26/67
 D604,440 S * 11/2009 Chen D26/67
 D617,034 S 6/2010 Compton
 D625,455 S 10/2010 Sonneman
 D629,949 S 12/2010 Ho
 D629,954 S 12/2010 Compton
 D629,955 S 12/2010 Compton
 D639,995 S 6/2011 Compton
 D640,806 S 6/2011 Zheng
 D646,832 S 10/2011 Chen
 D647,235 S 10/2011 Nankil
 D662,647 S 6/2012 Nankil
 D669,622 S 10/2012 Orozco
 D671,669 S 11/2012 Orozco
 D676,588 S * 2/2013 Nankil D26/67
 D681,255 S 4/2013 Bickler
 D684,293 S 6/2013 Lastimosa
 D688,413 S 8/2013 Tomlinson
 D689,646 S 9/2013 Nankil
 D693,955 S 11/2013 Yang
 D693,956 S 11/2013 Yang
 D694,458 S 11/2013 Yang
 D695,444 S 12/2013 Yang
 D705,476 S 5/2014 Nankil
 D715,475 S 10/2014 Nankil
 D715,478 S 10/2014 Blum et al.
 D728,143 S 4/2015 Nankil
 D751,747 S * 3/2016 Nankil D26/67
 D773,716 S * 12/2016 Nankil D26/87
 2003/0202340 A1 10/2003 Wu
 2006/0274537 A1 12/2006 Randazzo
 2020/0363026 A1 * 11/2020 Ko F21S 8/033

FOREIGN PATENT DOCUMENTS

GB 2046752 7/1996
 GB 2057479 7/1996
 GB 2088112 11/1999
 GB 3005118 7/2002
 GB 3009606 12/2002
 GB 3010811 2/2003
 GB 3010812 2/2003
 GB 3010813 2/2003
 GB 4005870 1/2008

* cited by examiner

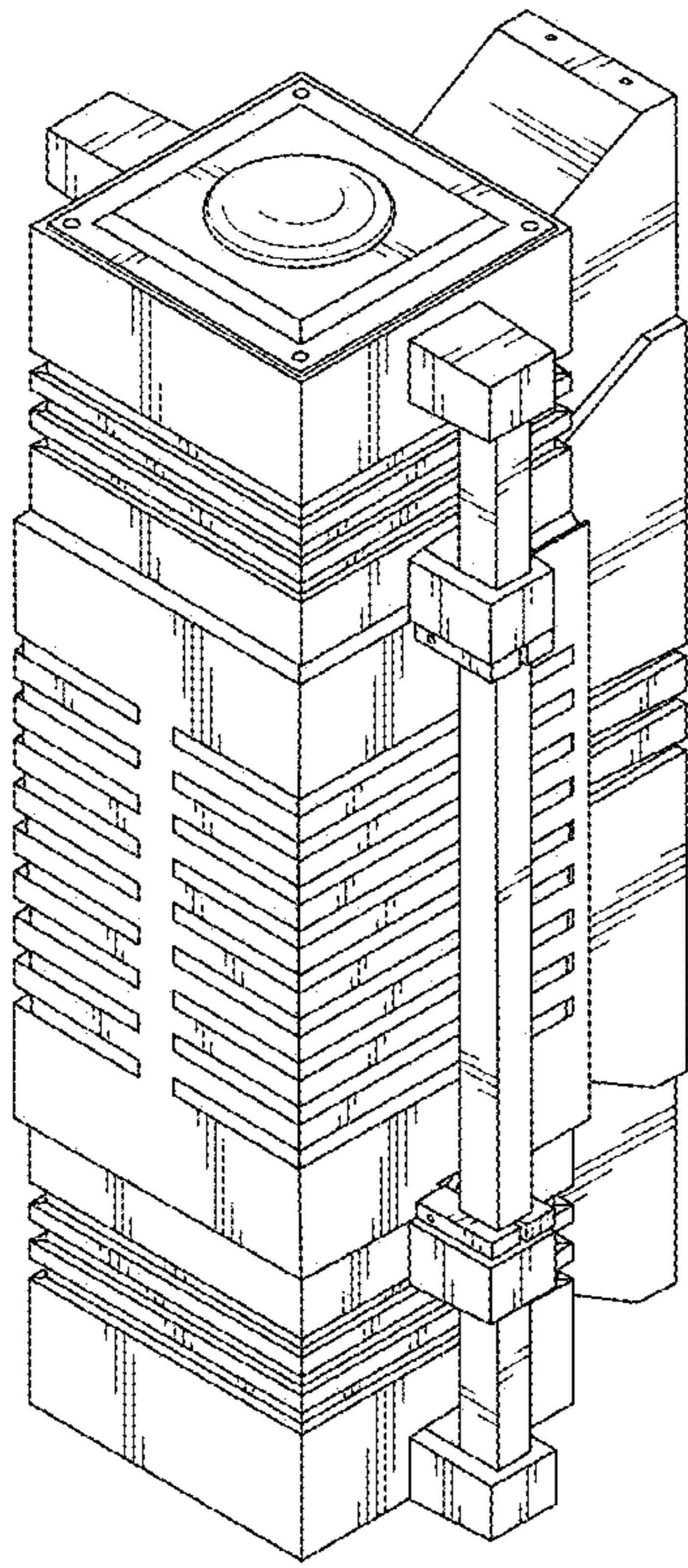


FIG. 1

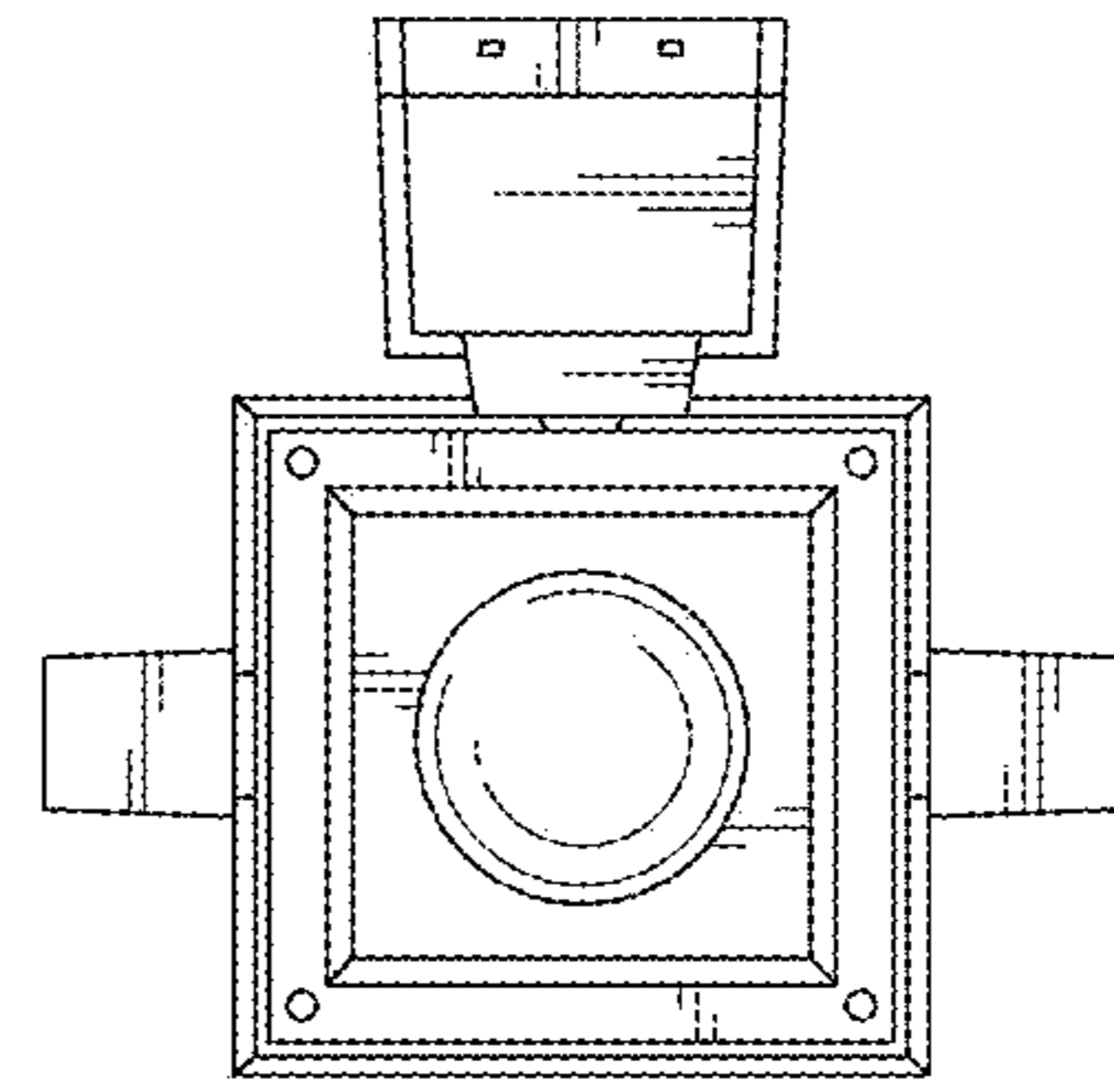


FIG. 2

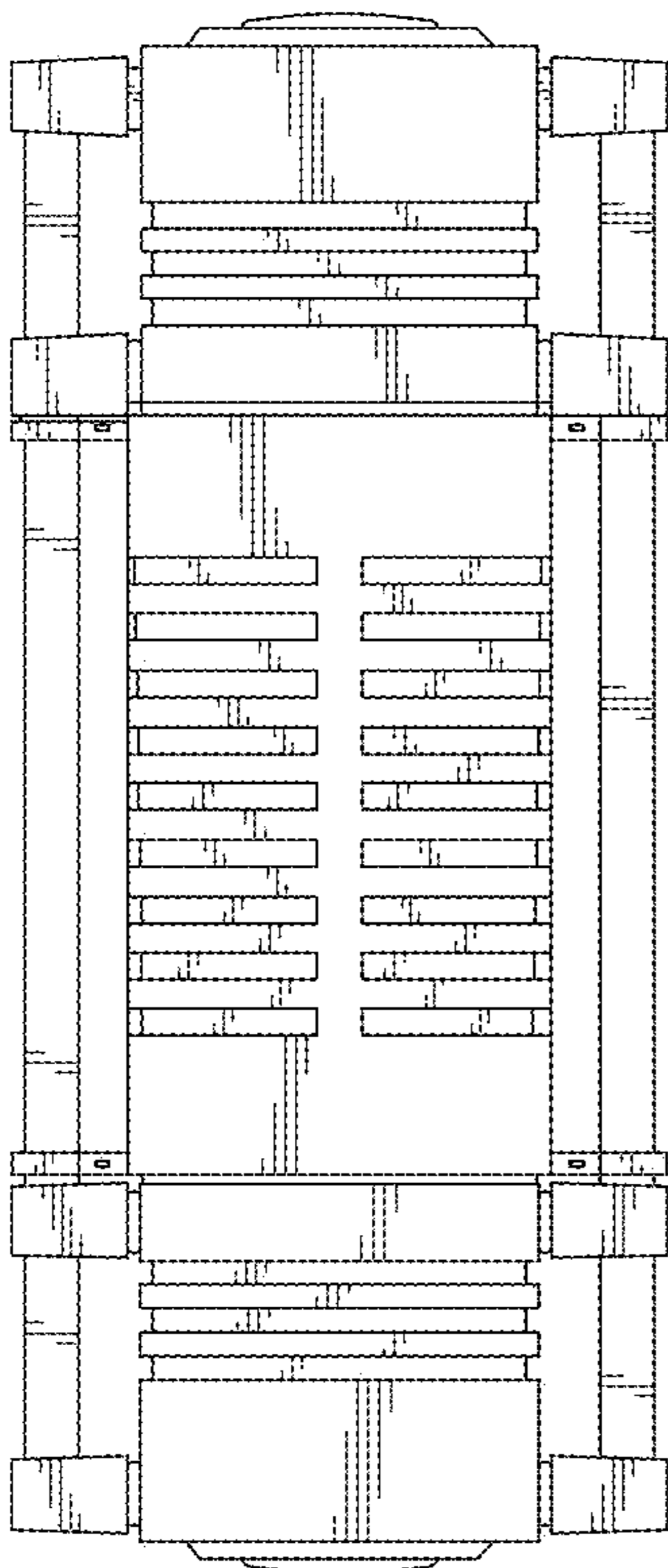


FIG. 3

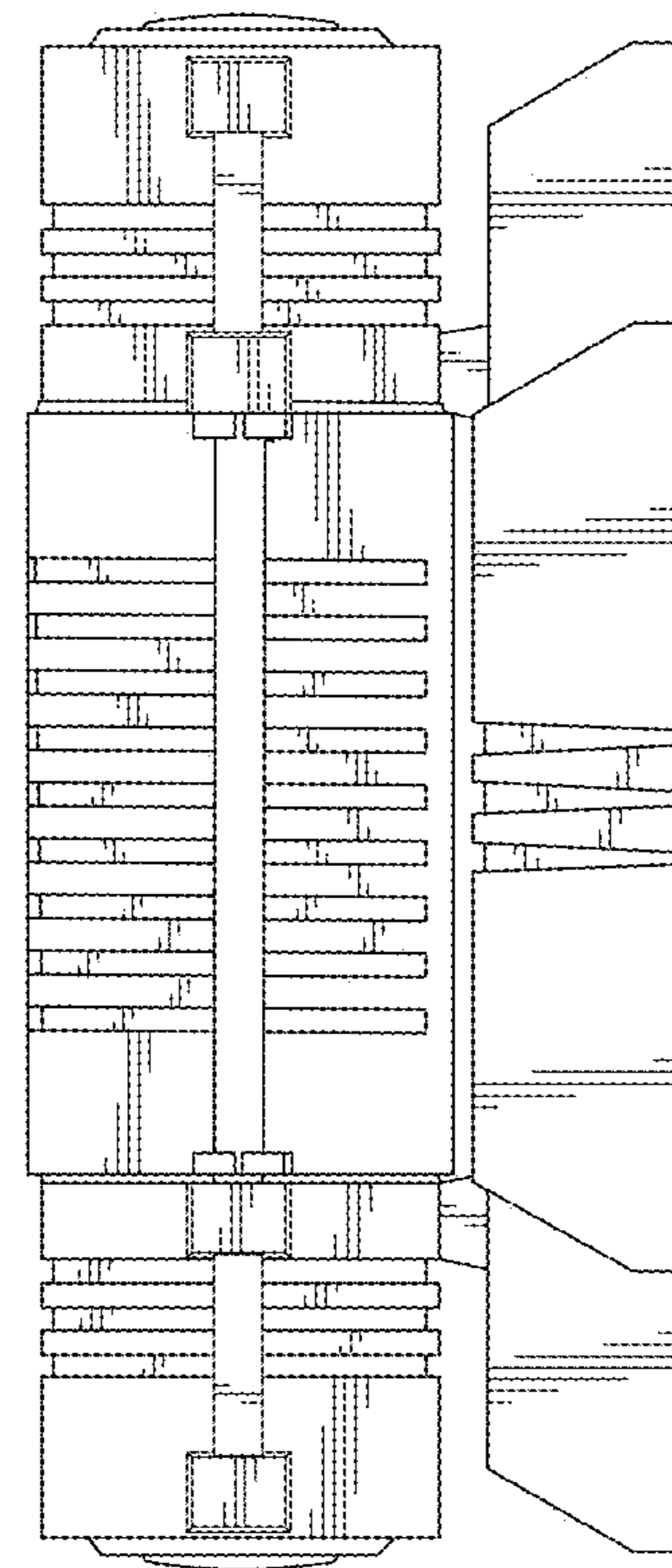


FIG. 4

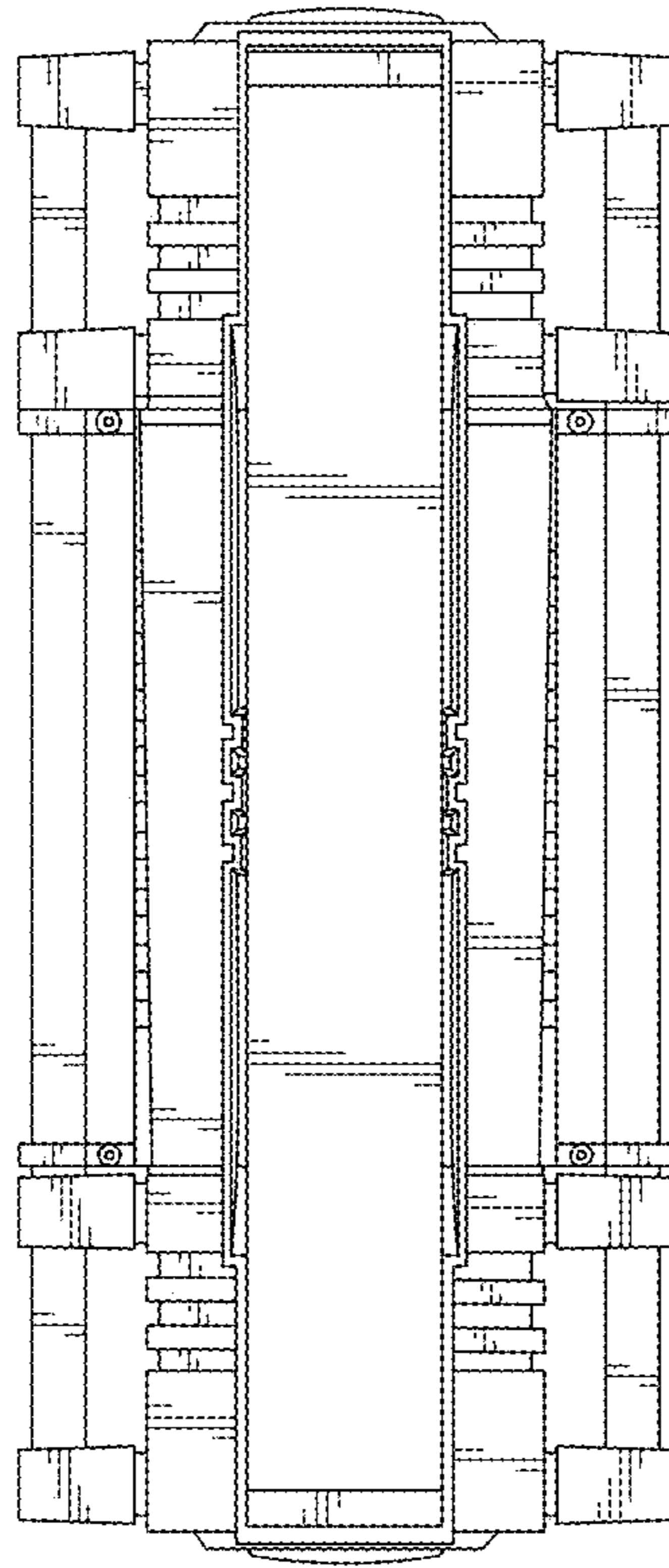


FIG. 5

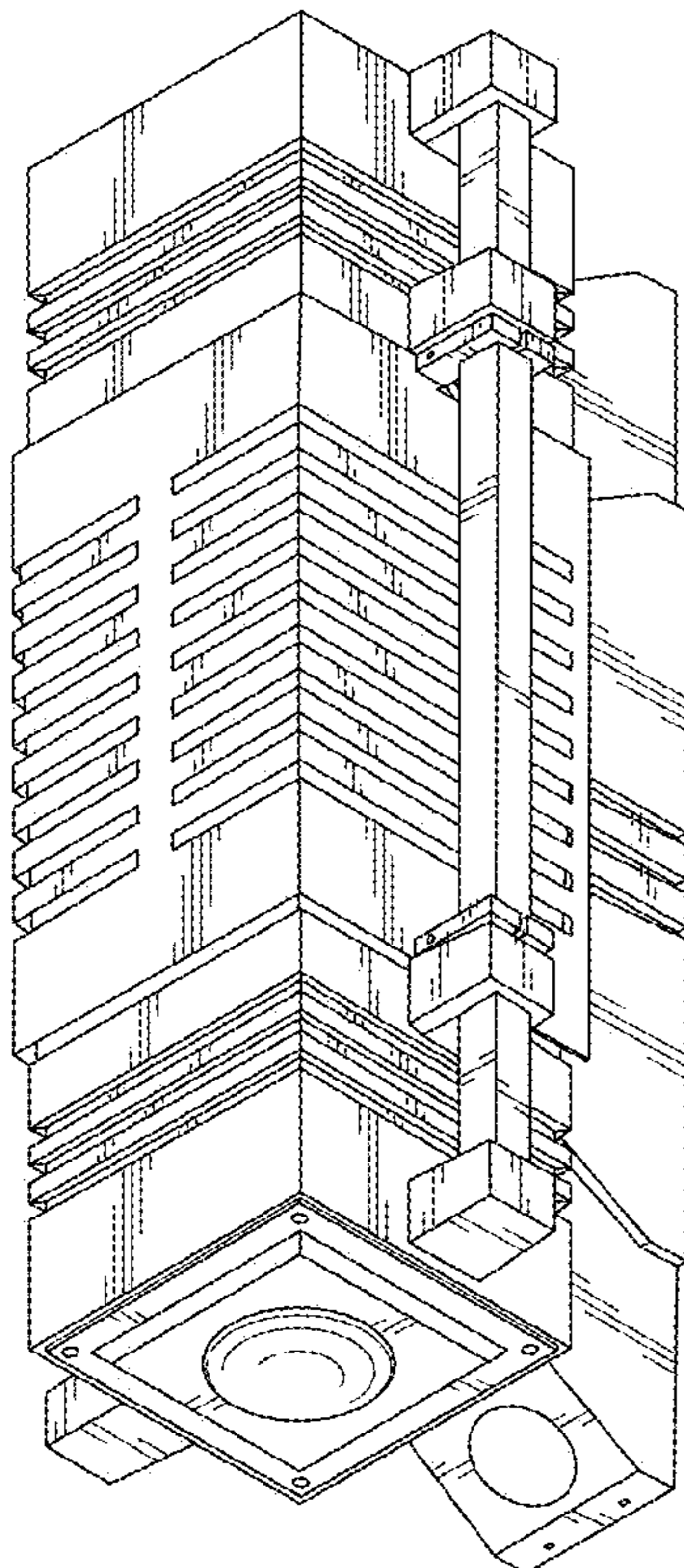


FIG. 6

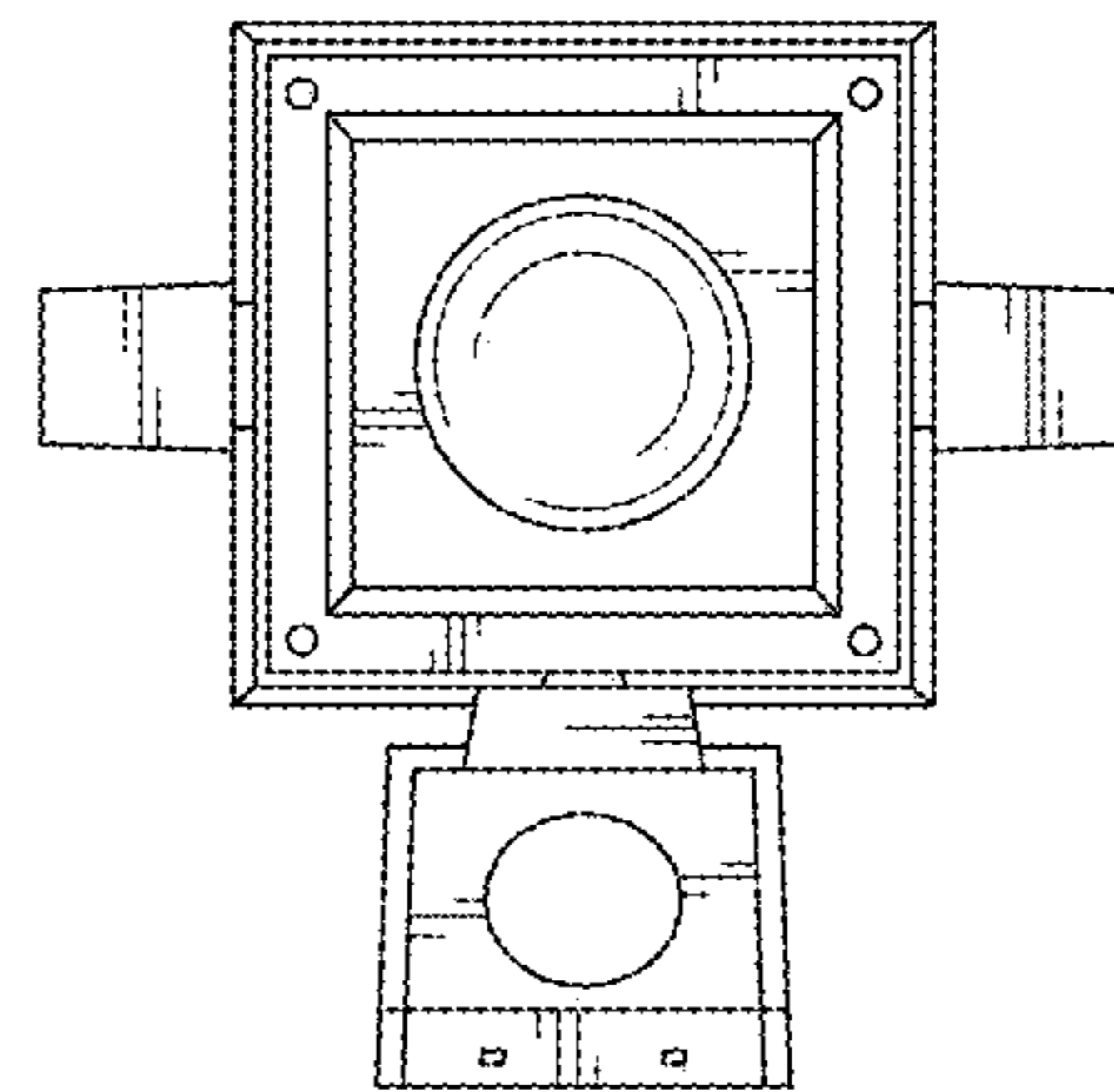


FIG. 7