

(56)

References Cited

U.S. PATENT DOCUMENTS

D672,908 S * 12/2012 Wilcox F21V 23/009
D26/118
D686,772 S * 7/2013 Waltz D26/118
D729,677 S * 5/2015 Aho D10/114.4
D775,393 S * 12/2016 Adams D26/63
D775,403 S * 12/2016 Adams D26/118
D804,074 S * 11/2017 Fang D26/65
D821,011 S * 6/2018 Yan D26/63
2020/0072455 A1 * 3/2020 Xie H05B 33/04

OTHER PUBLICATIONS

“Kim Lighting Wall Director,” Feb. 21, 2018, facebook.com, site visited Oct. 15, 2020, URL: <https://www.facebook.com/400539826656129/videos/1698979583478807> (Year: 2018).*

“YRXC 72W LED Wall Washer Lights,” Mar. 6, 2019, amazon.com, site visited Oct. 15, 2020, URL: https://www.amazon.com/YRXC-Waterproof-Billboards-Building-Decorations/dp/B07PDLN4W7/ref=sr_1_14?dchild=1&keywords=linear+wall+light&qid=1602768029&sr=8-14 (Year: 2019).*

“KIM Lighting KFL Flood Collection,” Mar. 27, 2019, facebook.com, site visited Oct. 15, 2020, URL: <https://www.facebook.com/400539826656129/videos/398715370909972> (Year: 2019).*

“KFL Collection from KIM Lighting,” Apr. 18, 2019, facebook.com, site visited Oct. 15, 2020, URL: <https://www.facebook.com/400539826656129/videos/347521959206655> (Year: 2019).*

* cited by examiner

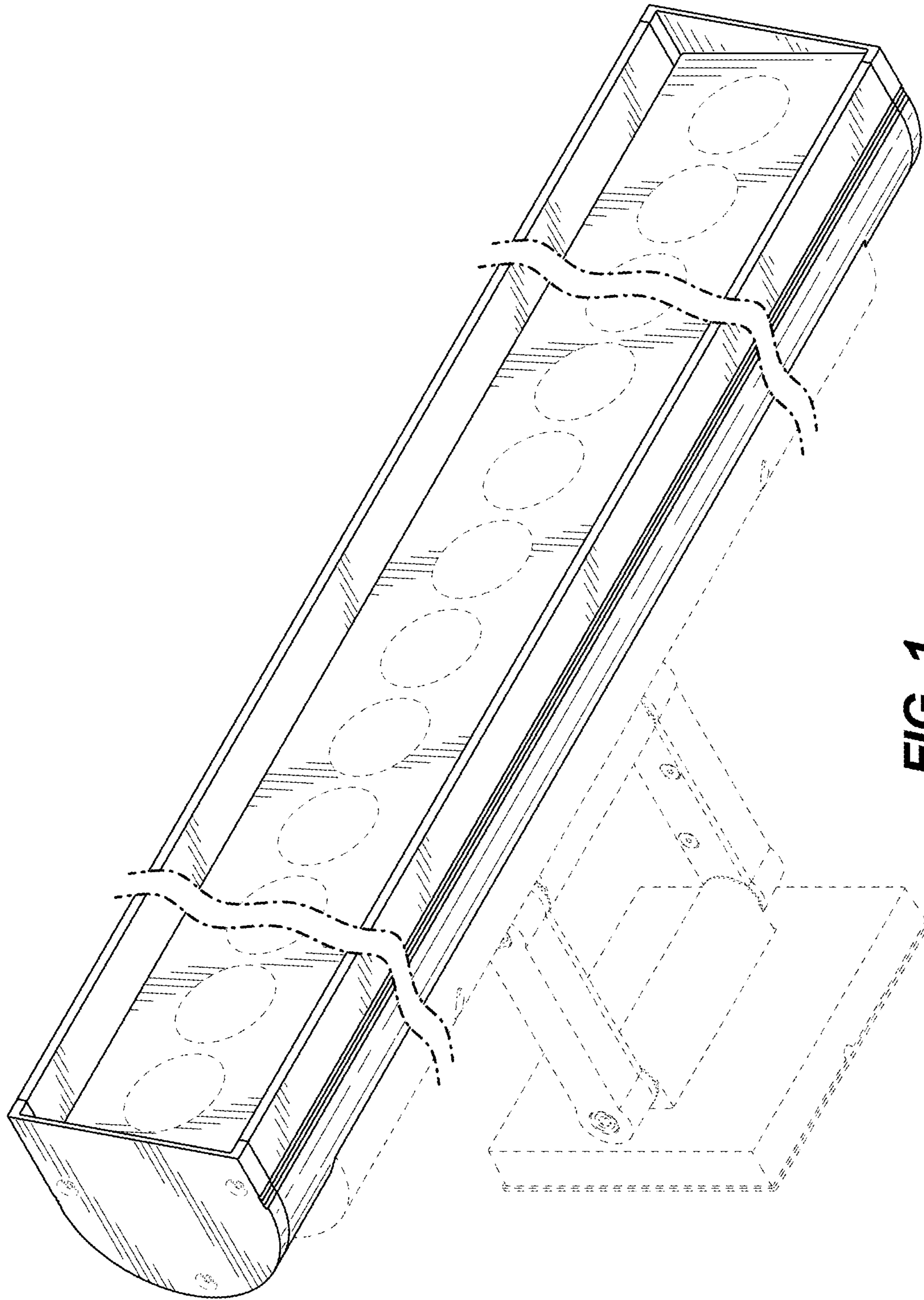


FIG. 1

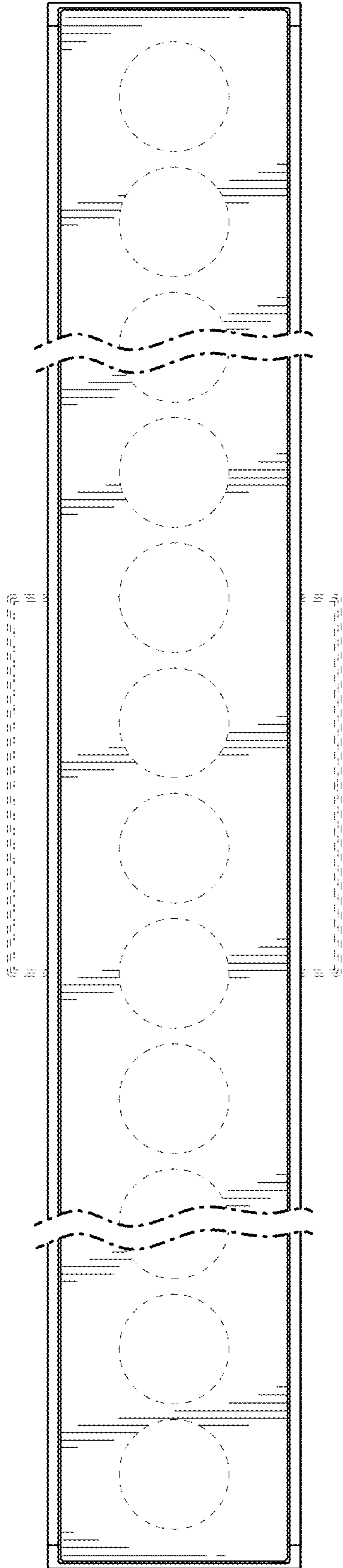


FIG. 2

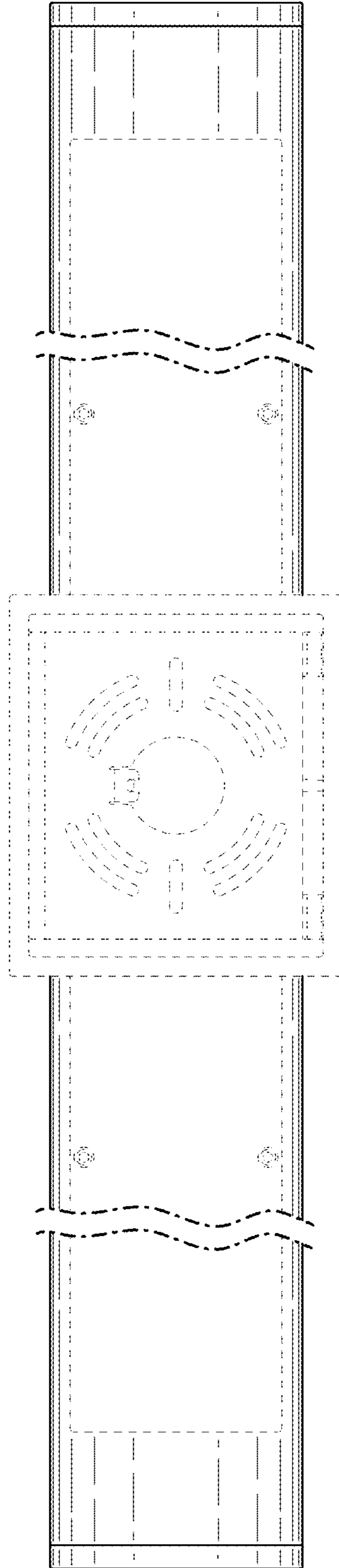


FIG. 3

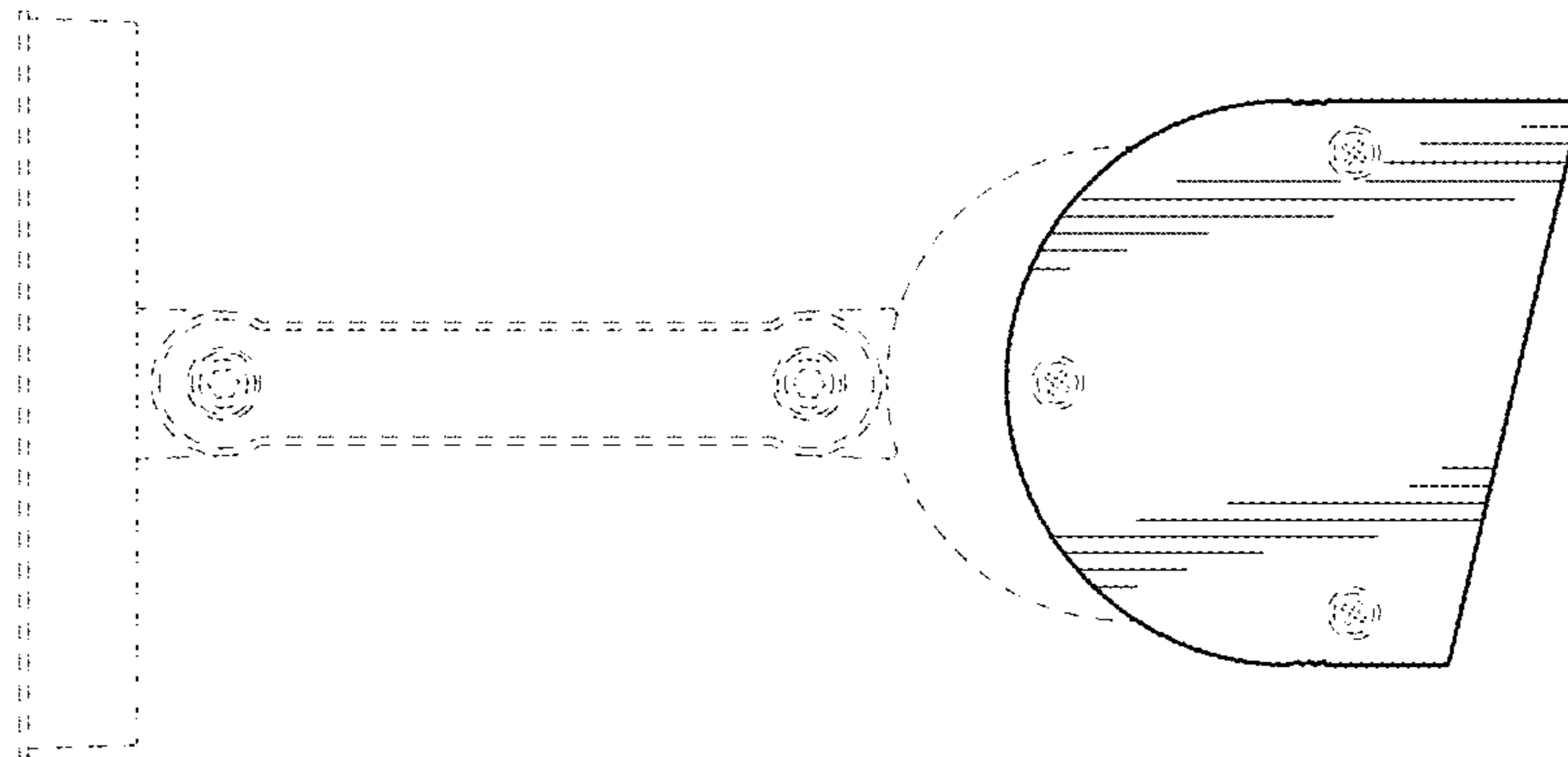


FIG. 4

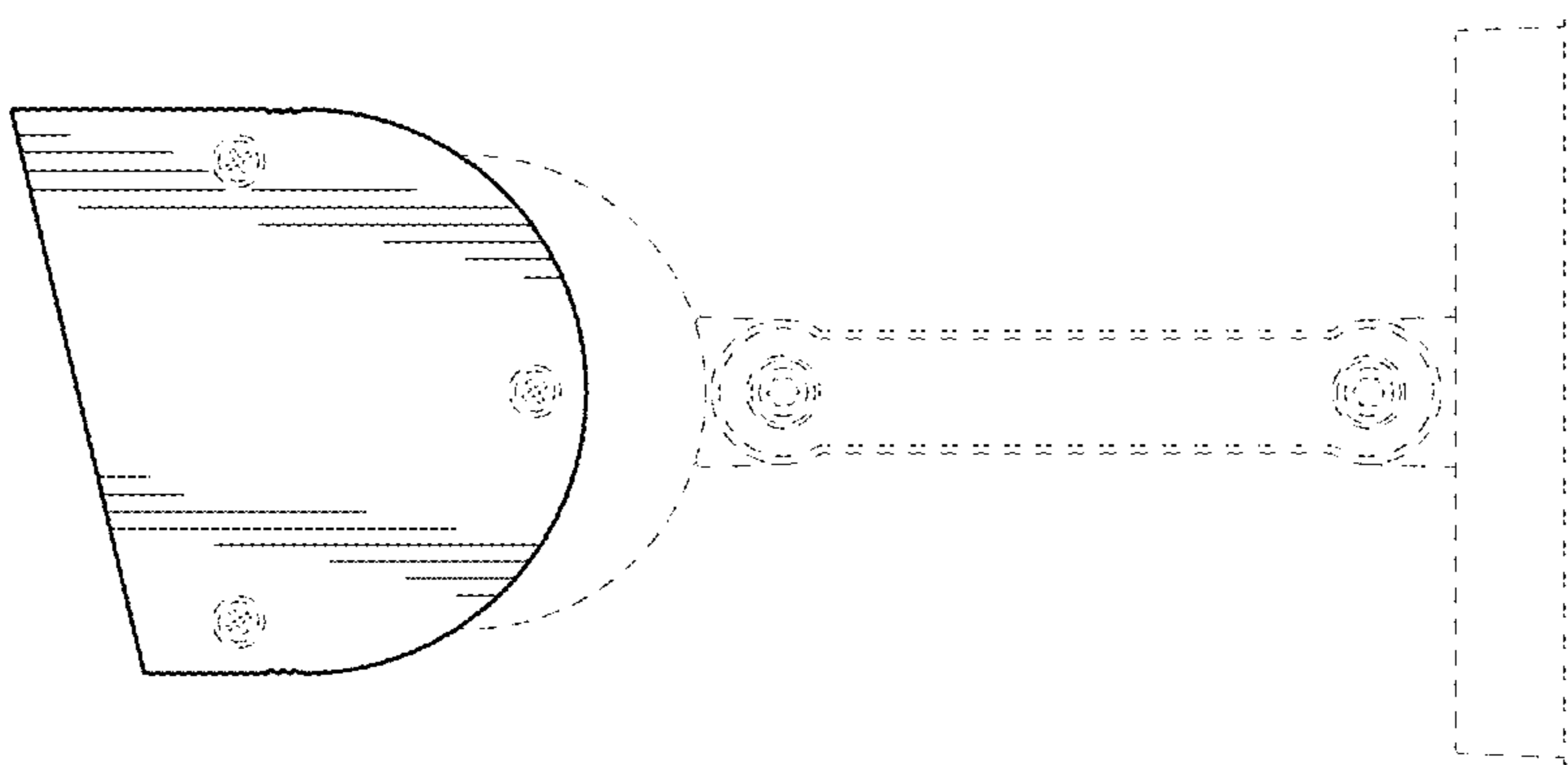


FIG. 5

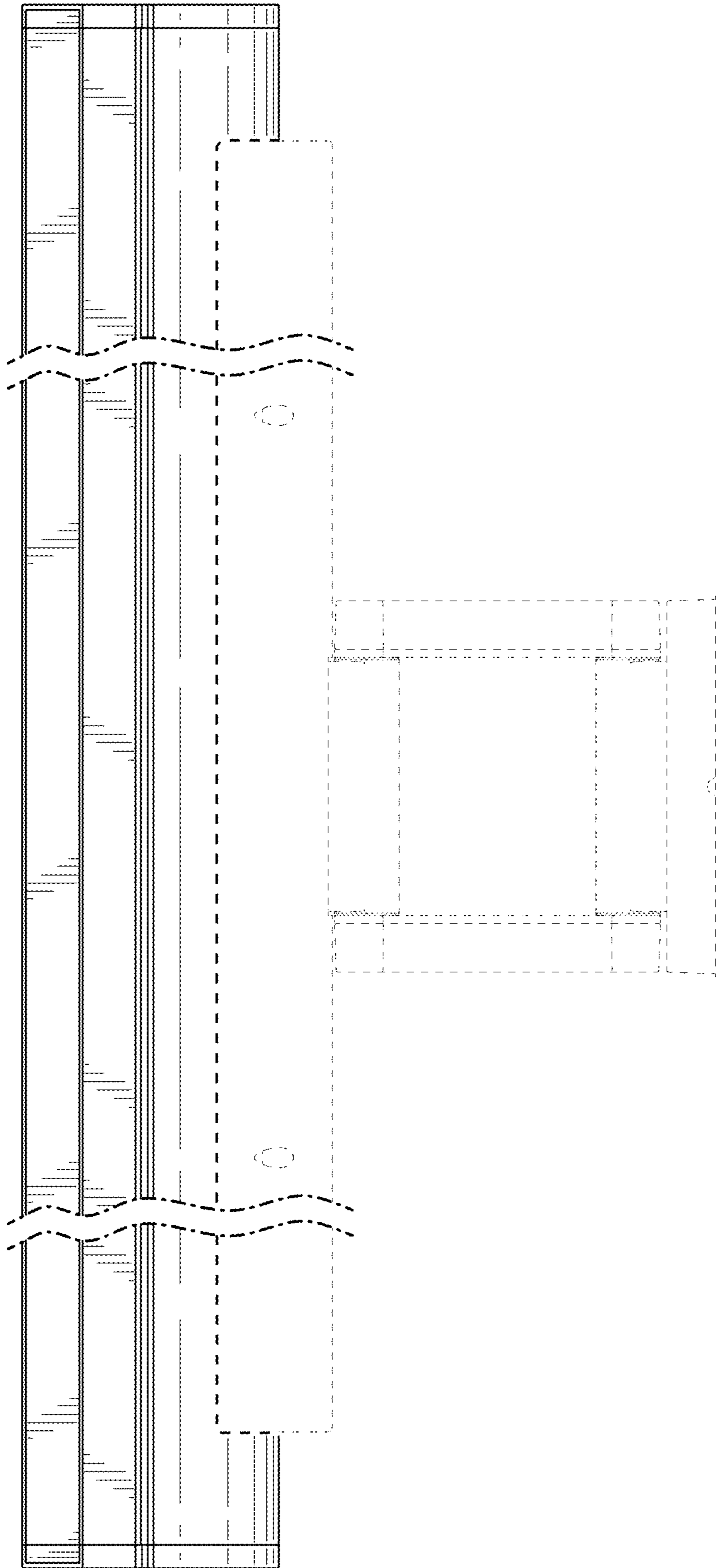


FIG. 6

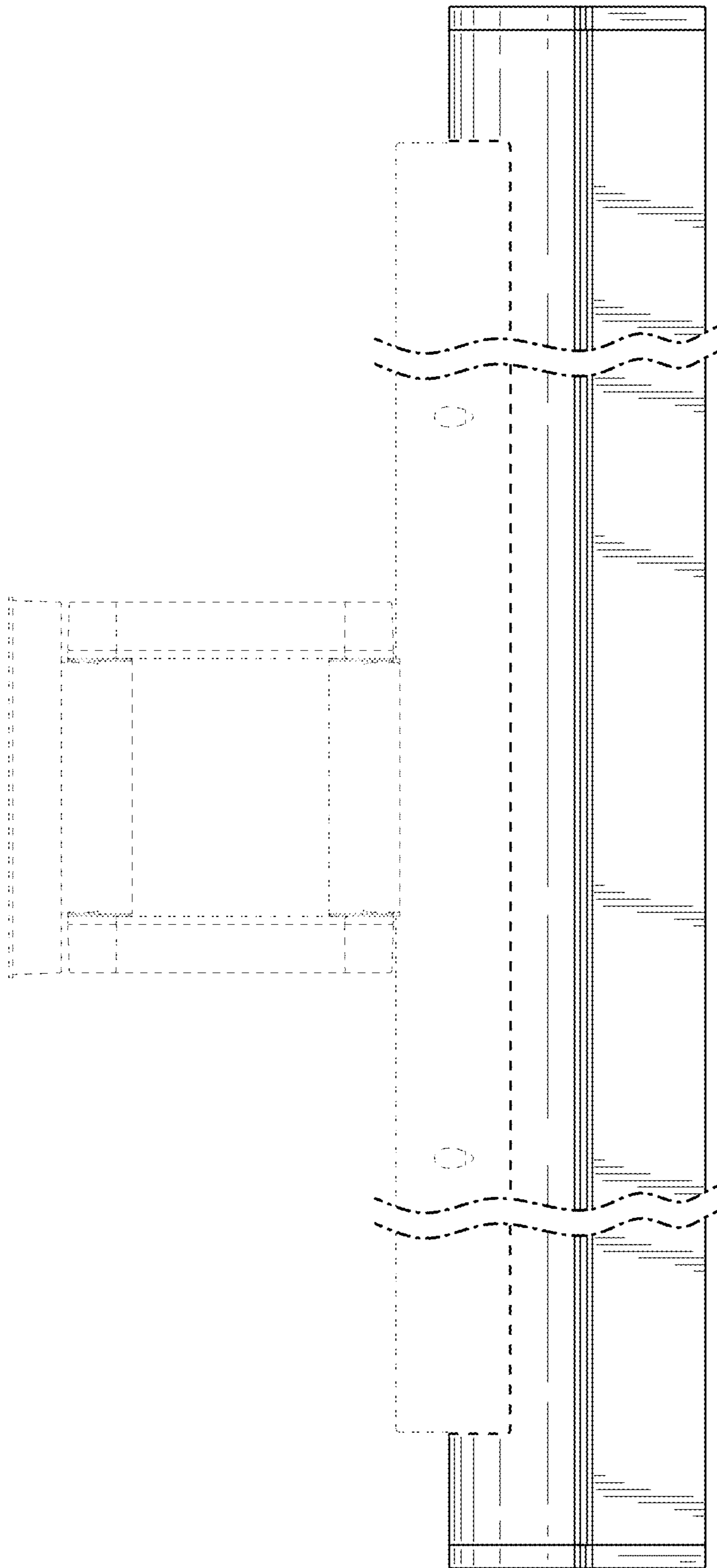


FIG. 7

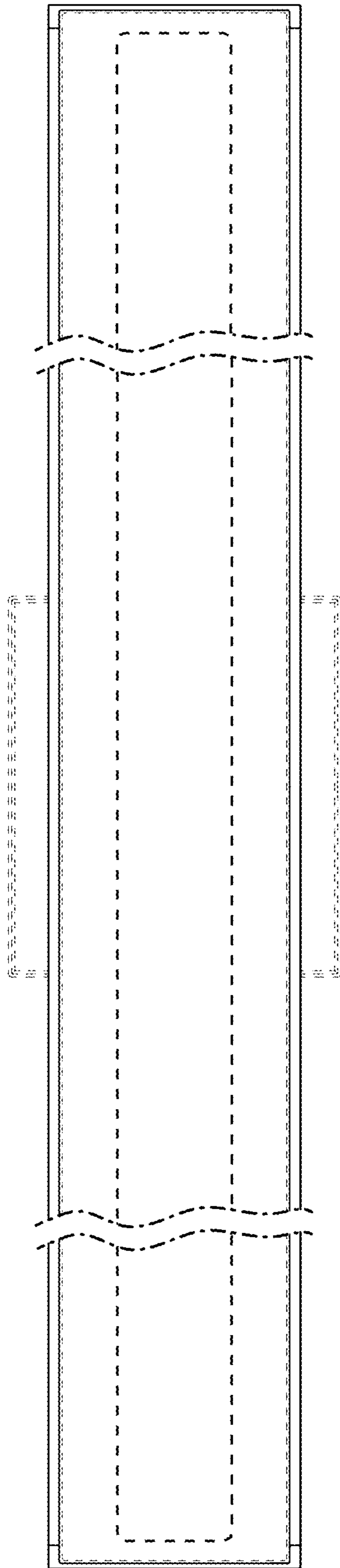


FIG. 8