



US00D925087S

(12) **United States Design Patent** (10) **Patent No.:** **US D925,087 S**
Chen (45) **Date of Patent:** **** Jul. 13, 2021**

(54) **FOLDING LAMP**

(56) **References Cited**

(71) Applicant: **SHENZHEN ADYSS TECHNOLOGY CO., LTD.**,
Guangdong (CN)

(72) Inventor: **Weihao Chen**, Guangdong (CN)

(73) Assignee: **SHENZHEN ADYSS TECHNOLOGY CO., LTD.**,
Guangdong (CN)

U.S. PATENT DOCUMENTS

D598,595 S * 8/2009 Levine D26/63
D655,433 S * 3/2012 Levine D26/65
D662,641 S * 6/2012 Levine D26/65
2020/0240578 A1* 7/2020 Chen F21S 6/003

* cited by examiner

Primary Examiner — Brian N. Vinson
(74) *Attorney, Agent, or Firm* — Li & Cai Intellectual Property (USA) Office

(**) Term: **15 Years**

(21) Appl. No.: **29/721,092**

(22) Filed: **Jan. 17, 2020**

(57) **CLAIM**
The ornamental design for a folding lamp, as shown and described.

(30) **Foreign Application Priority Data**

Oct. 15, 2019 (CN) 201930561786.8

(51) **LOC (13) Cl.** **26-03**

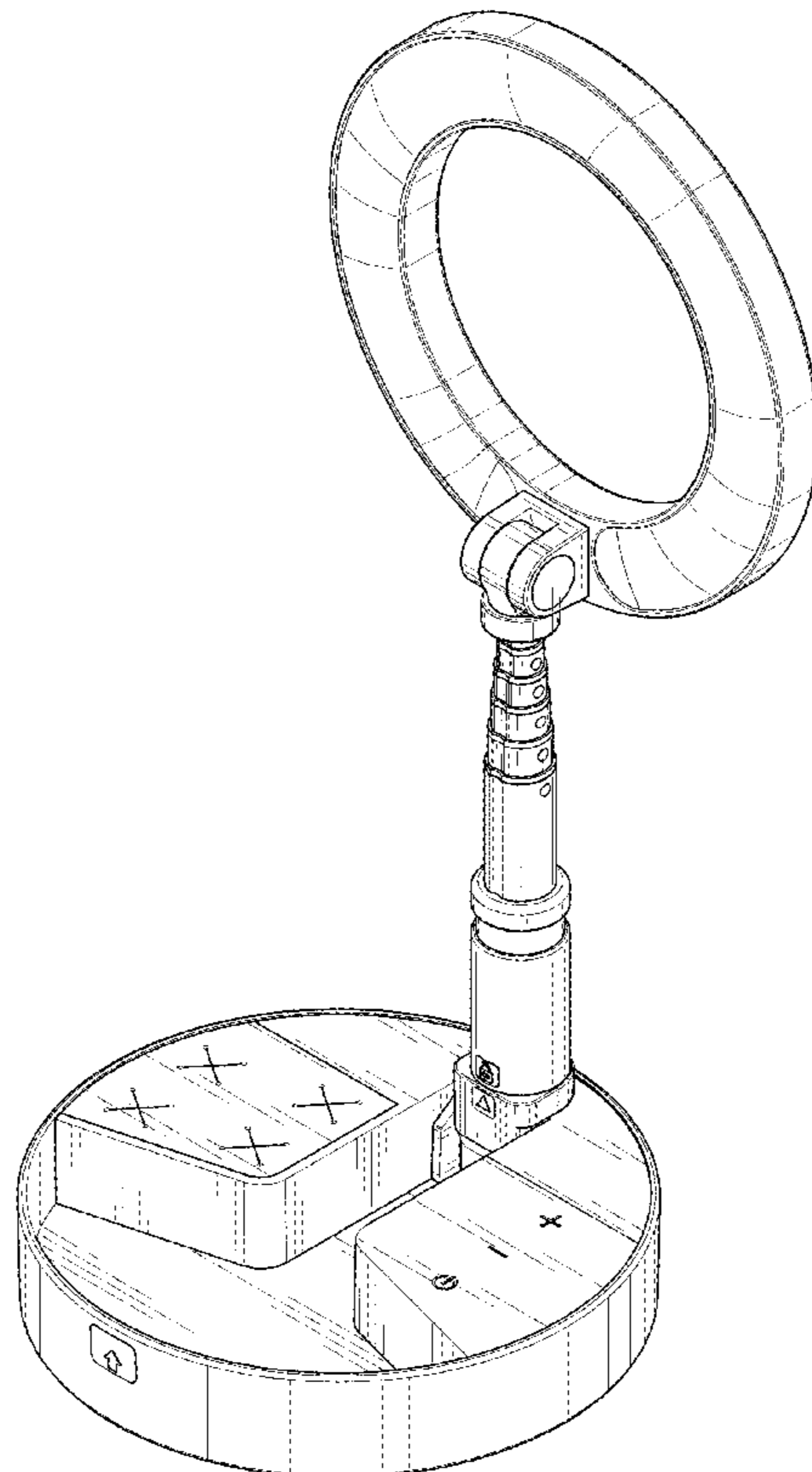
(52) **U.S. Cl.**
USPC **D26/65**

(58) **Field of Classification Search**
USPC D26/61, 63, 64, 65
CPC F21V 17/02; F21V 21/26; F21V 21/06;
F21V 21/00; F21W 2131/30; F21W 2131/10; F21S 8/024; F21S 6/003; F21S 8/003; F21S 6/00; F21F 6/00; F21F 8/00
See application file for complete search history.

DESCRIPTION

FIG. 1 is a front, right and top perspective view of a folding lamp in an open condition showing my new design;
FIG. 2 is a front elevational view thereof;
FIG. 3 is a rear elevational view thereof;
FIG. 4 is a left side elevational view thereof;
FIG. 5 is a right side elevational view thereof;
FIG. 6 is a top plan view thereof;
FIG. 7 is a bottom plan view thereof; and,
FIG. 8 is a front, right and top perspective view of the folding lamp showing in a folded condition.
The broken lines depict portions of the folding lamp in which the design is embodied that forms no part of the claimed design.

1 Claim, 8 Drawing Sheets



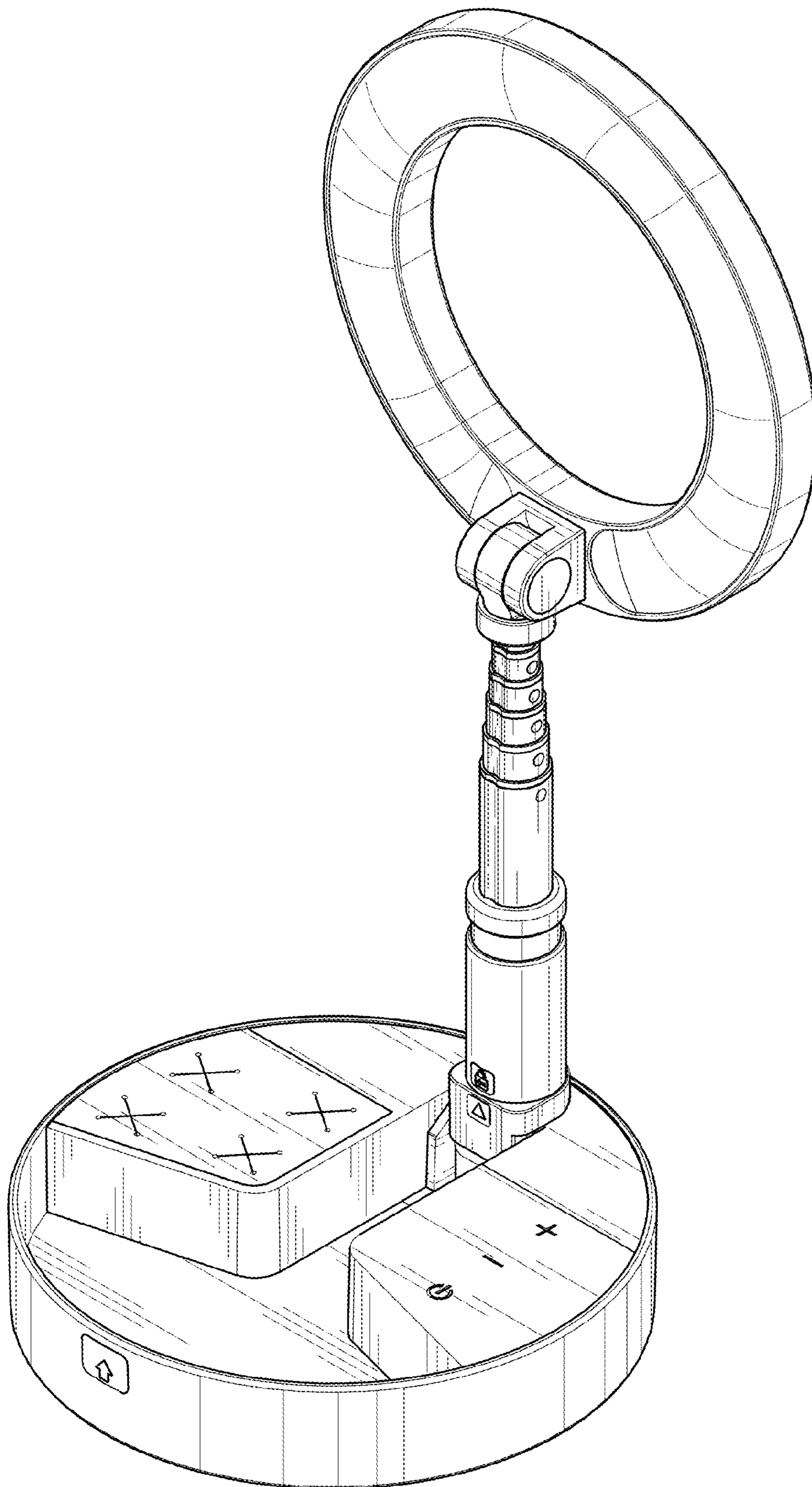


FIG. 1

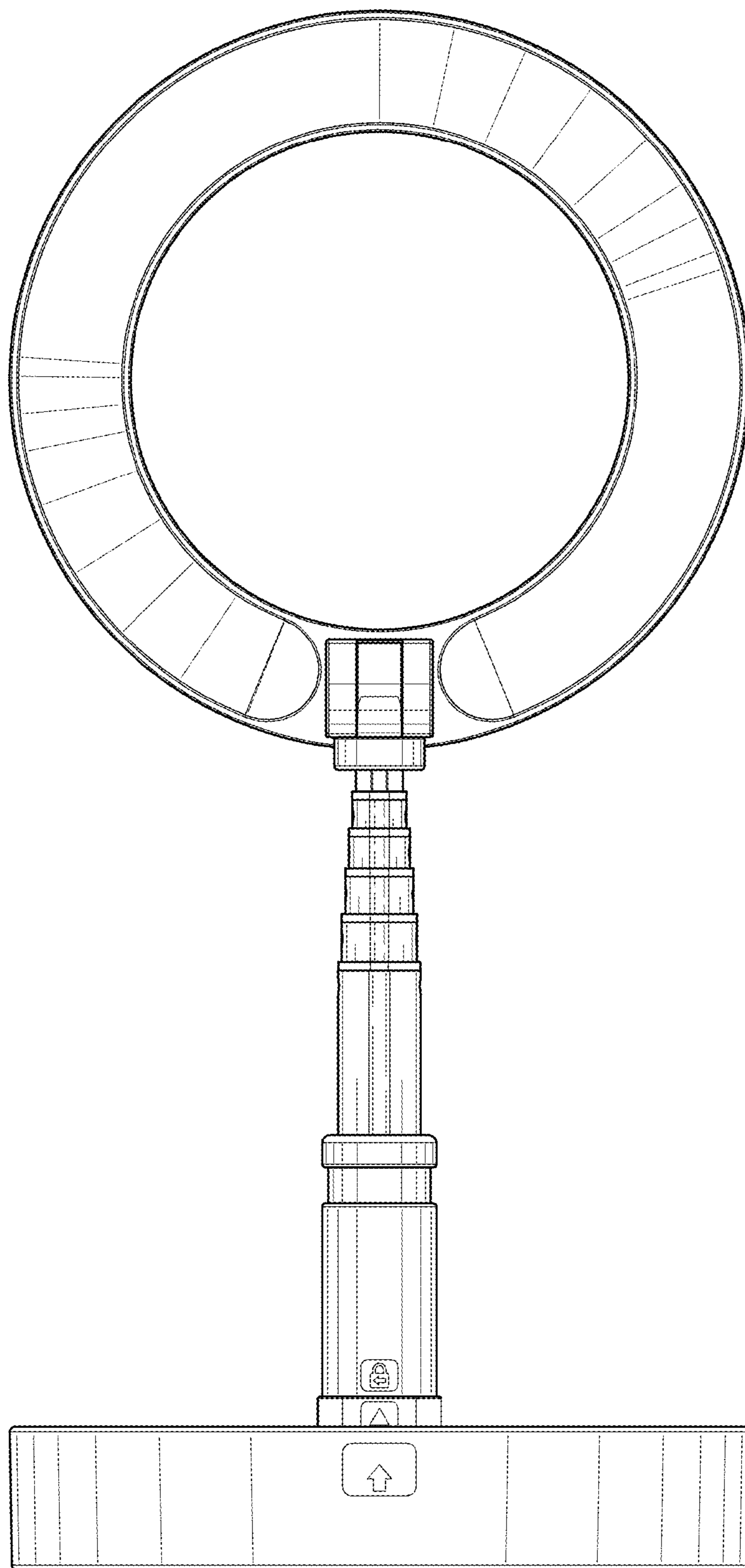


FIG. 2

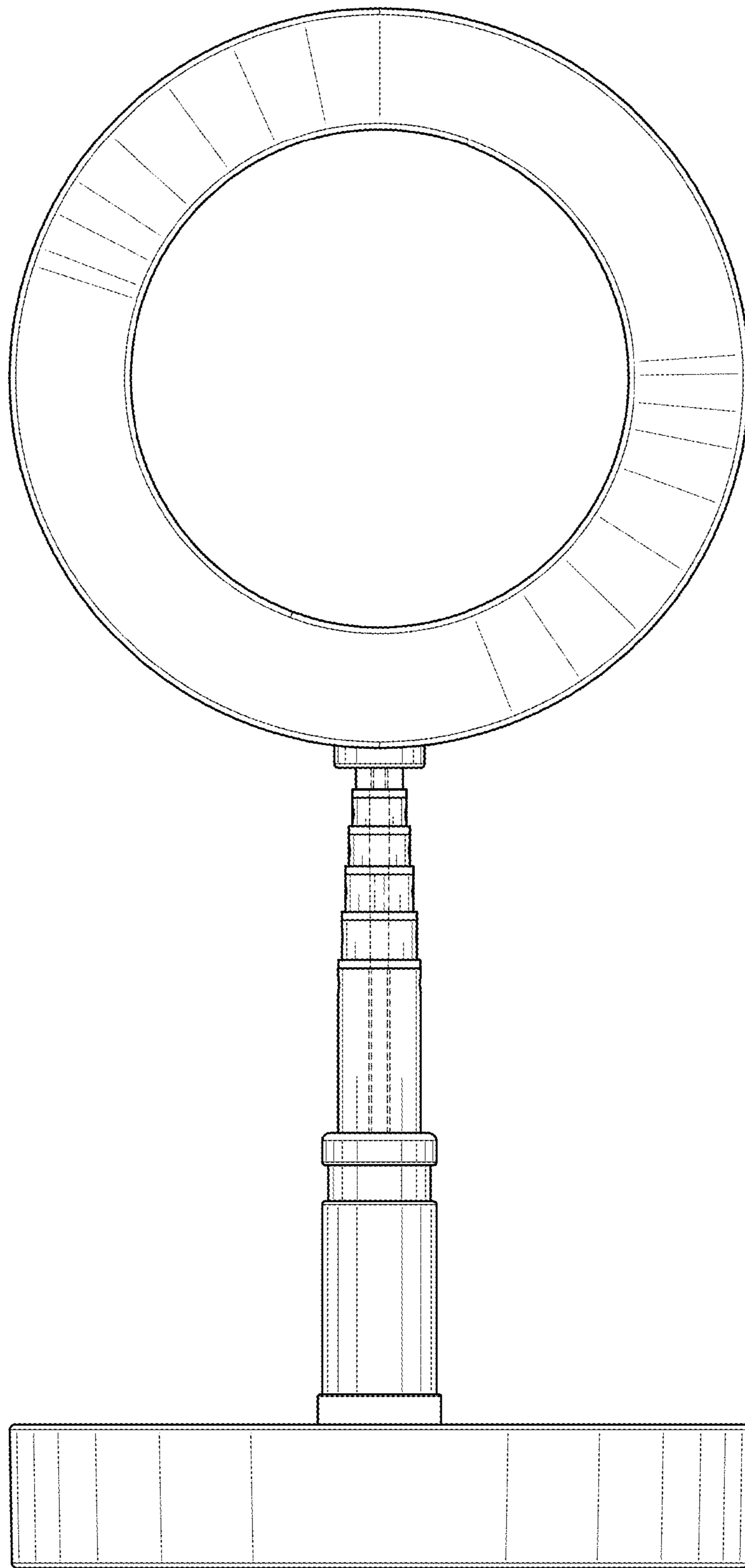


FIG. 3

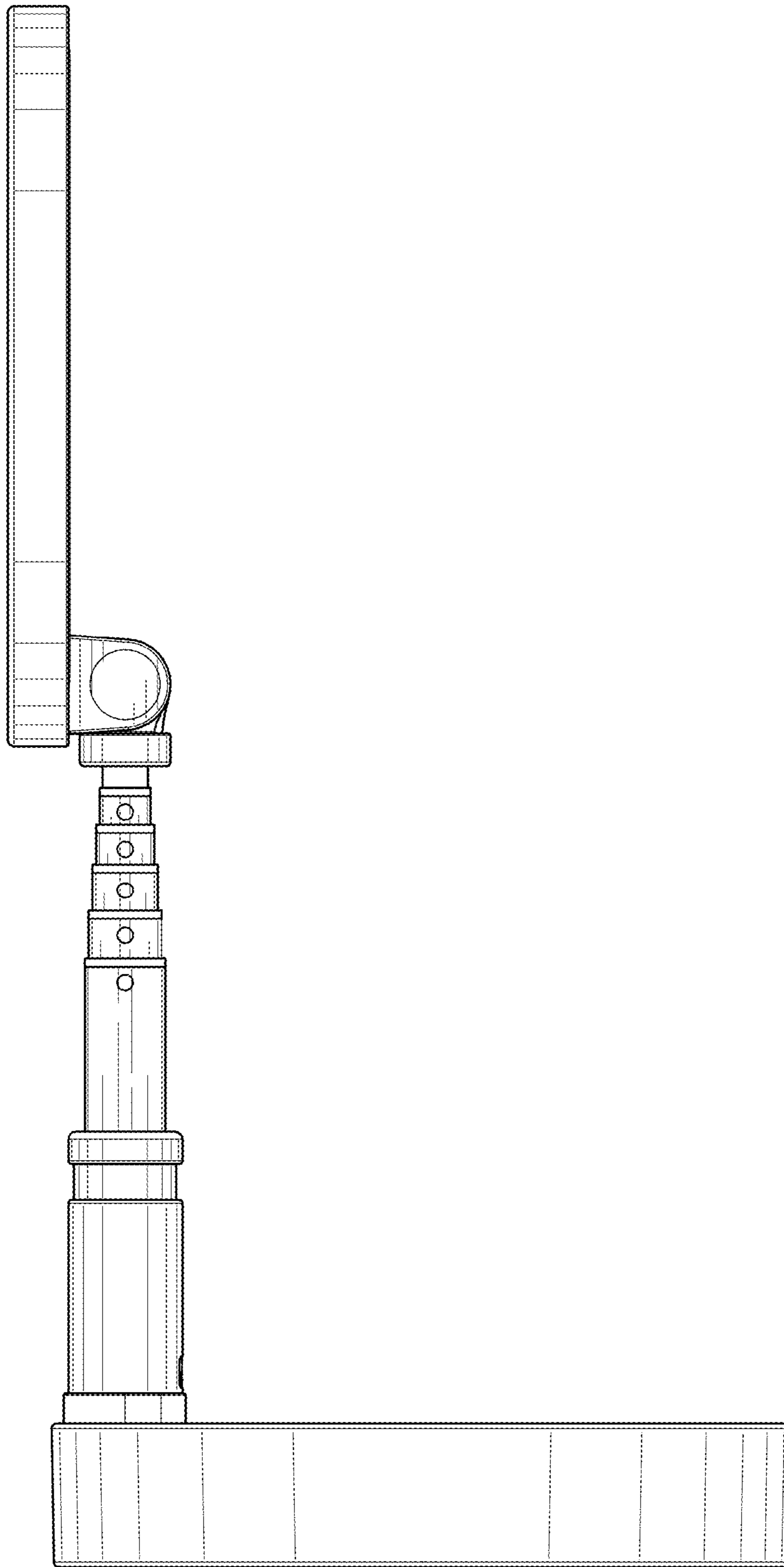


FIG. 4

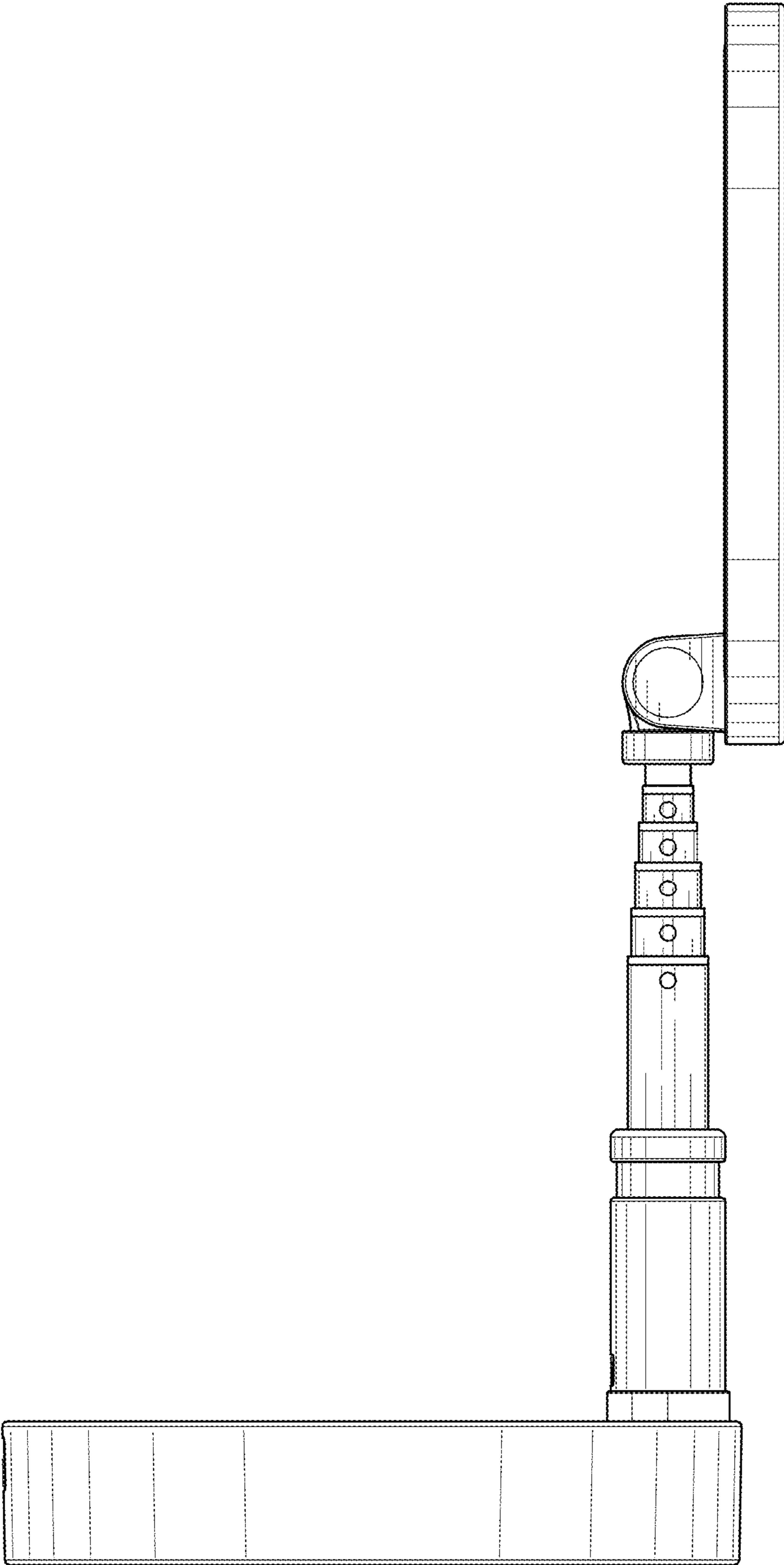


FIG. 5

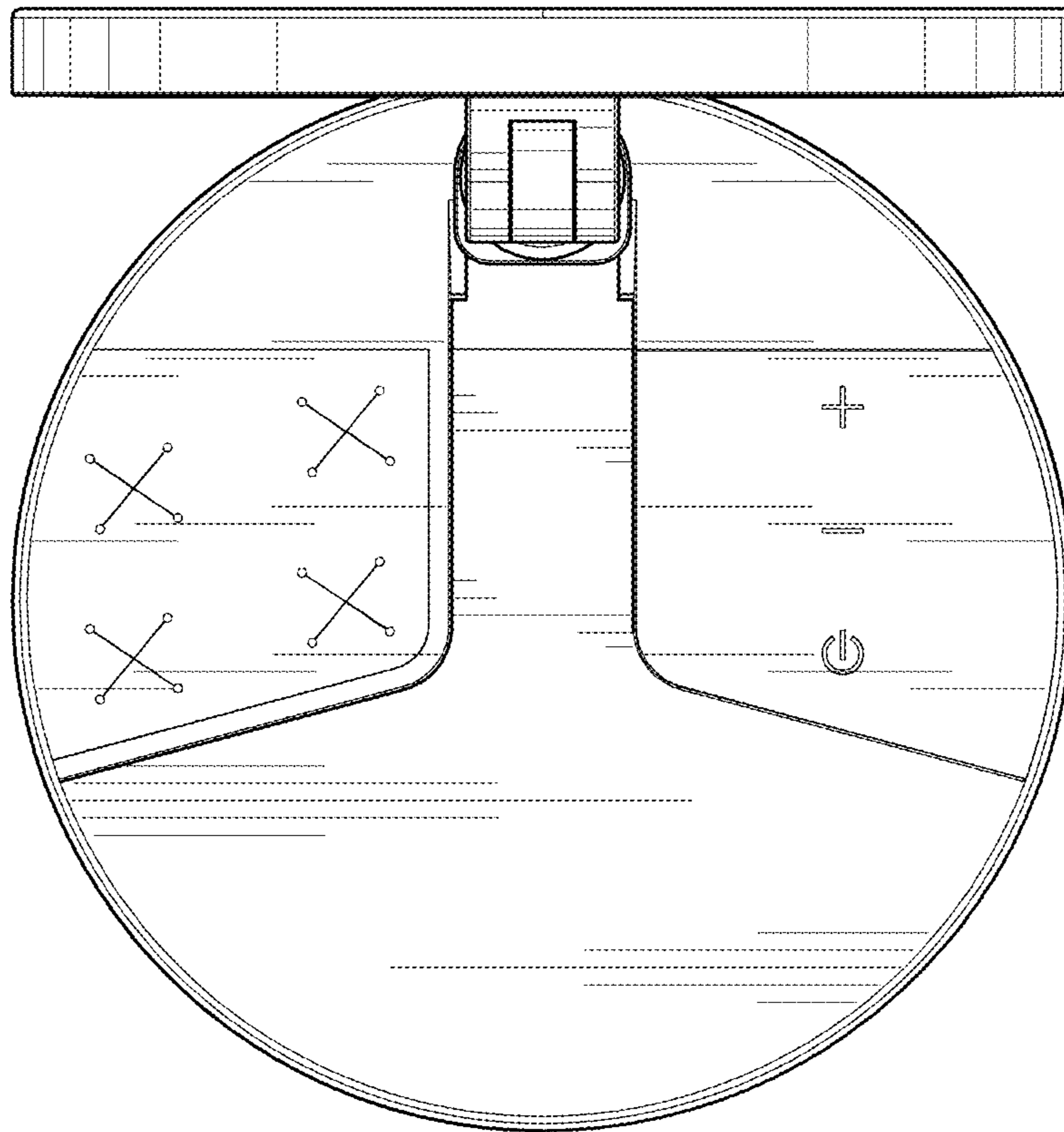


FIG. 6

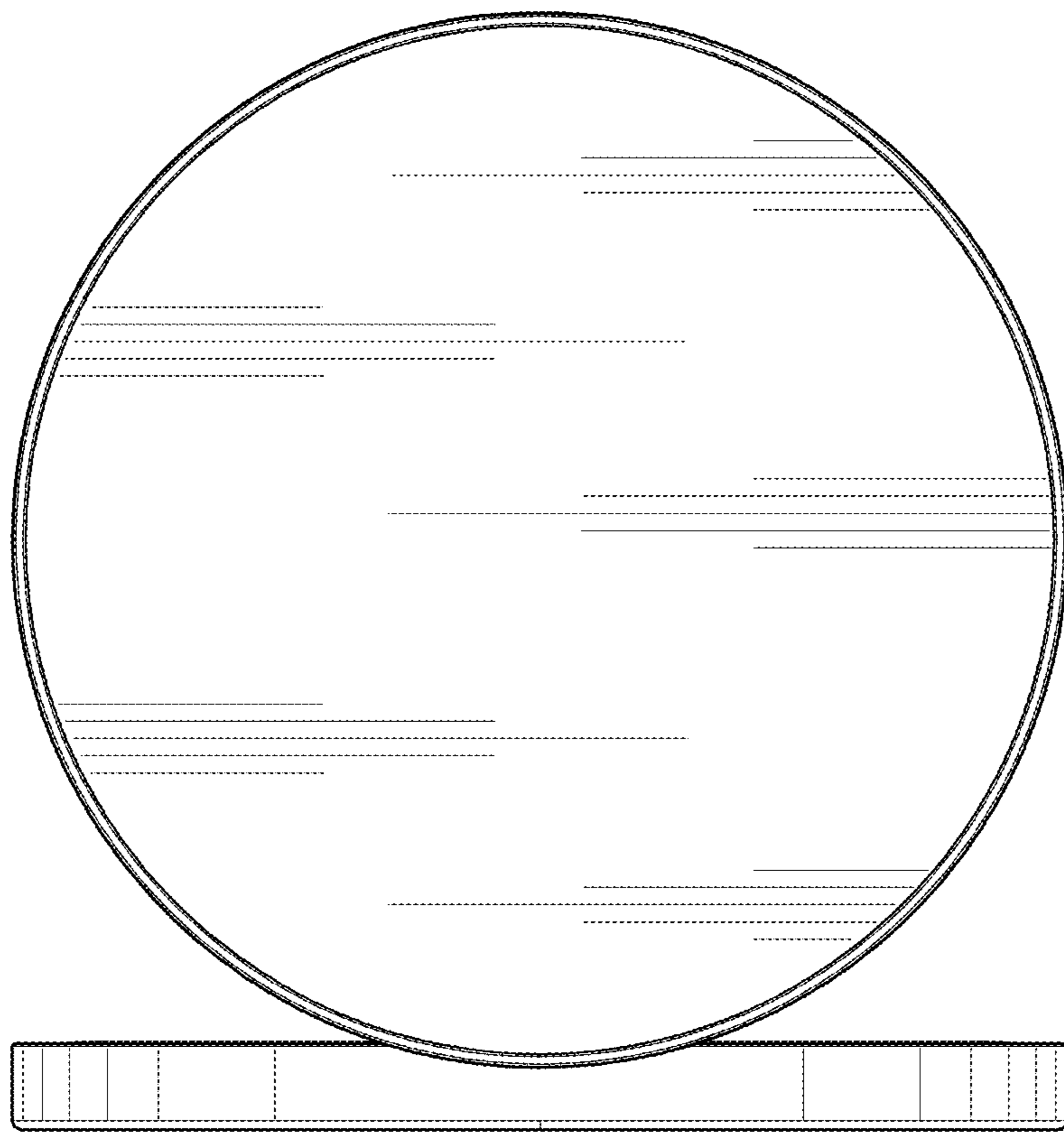


FIG. 7

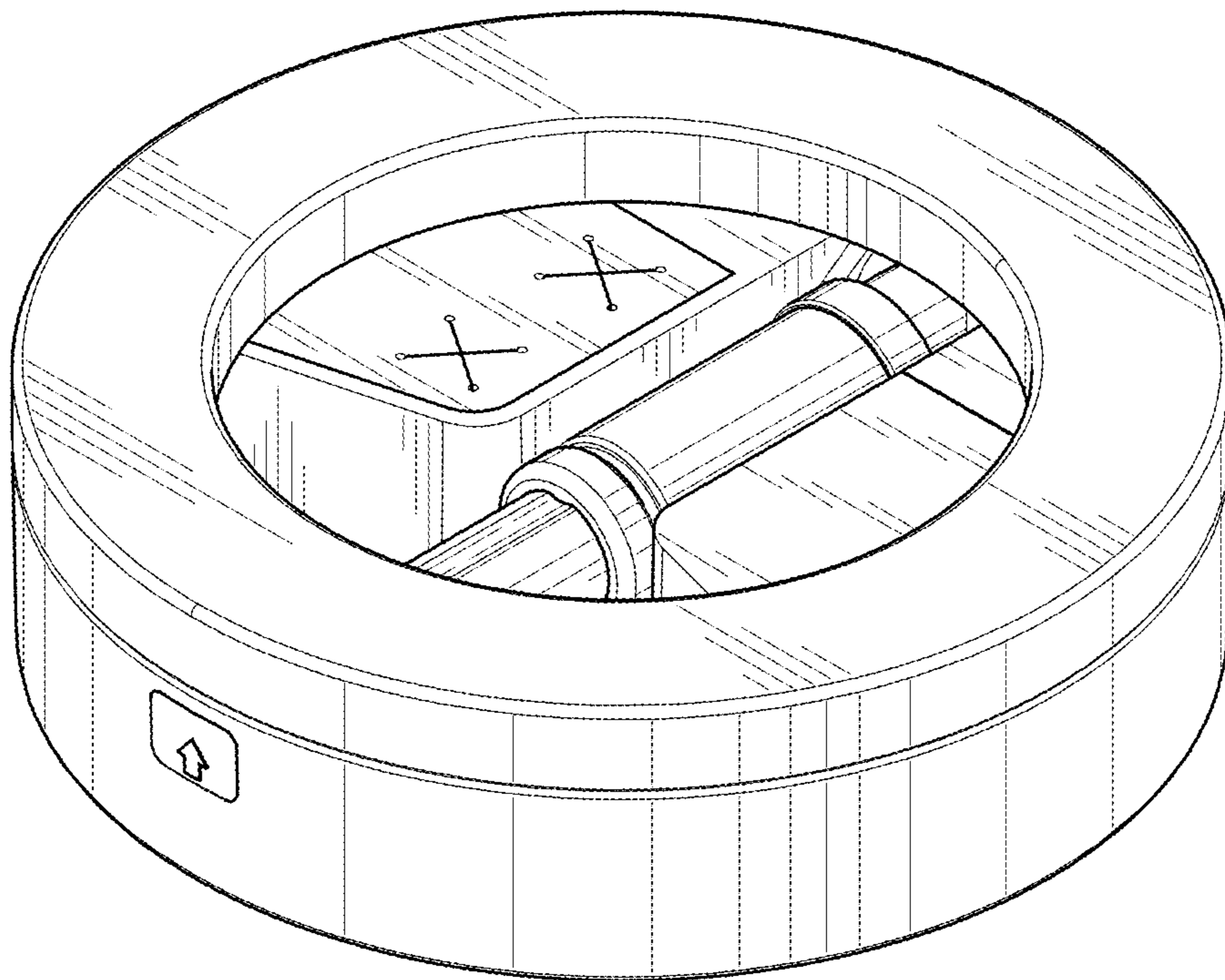


FIG. 8