



US00D925084S

(12) **United States Design Patent**
Chen

(10) **Patent No.:** **US D925,084 S**
(45) **Date of Patent:** **** Jul. 13, 2021**

(54) **SOLAR LAMP**

(71) Applicant: **SHENZHEN VANTOP TECHNOLOGY & INNOVATION CO., LTD.**, Shenzhen (CN)

(72) Inventor: **Yun Chen**, Shenzhen (CN)

(73) Assignee: **SHENZHEN VANTOP TECHNOLOGY & INNOVATION CO., LTD.**, Shenzhen (CN)

(**) Term: **15 Years**

(21) Appl. No.: **29/750,103**

(22) Filed: **Sep. 11, 2020**

(51) **LOC (13) Cl.** **26-05**

(52) **U.S. Cl.**
USPC **D26/63; D26/67**

(58) **Field of Classification Search**
USPC D26/63, 67-70, 85
CPC .. F21S 8/022; F21S 8/032; F21S 8/036; F21S 8/081; F21S 8/083; F21S 8/088; F21S 9/02; F21S 9/037; F21S 10/046; F21V 21/0824; F21W 2131/109; F21W 2111/02; F21W 2111/023

See application file for complete search history.

(56) **References Cited**

U.S. PATENT DOCUMENTS

D841,213 S	2/2019	Zhuo	
D848,046 S *	5/2019	Zhuo	D26/67
D849,299 S	5/2019	Shi	
D851,798 S *	6/2019	Liu	D26/63
D852,398 S *	6/2019	Liu	D26/63
D868,330 S	11/2019	Ji	
D875,289 S *	2/2020	Hu	D26/63

D885,632 S *	5/2020	Chen	D26/67
D887,059 S *	6/2020	Liu	D26/63
D903,921 S *	12/2020	Zhuo	D26/63
D905,312 S *	12/2020	Zhuo	D26/63
D909,652 S *	2/2021	Wu	D26/63
D912,867 S *	3/2021	Qiu	D26/63
D915,652 S *	4/2021	Li	D26/63
2018/0283657 A1 *	10/2018	Xiong	F21V 21/0824
2020/0191366 A1 *	6/2020	Mullen	F21V 21/0824

OTHER PUBLICATIONS

LITOM 12 LEDs Solar Landscape Spotlight available at amazon.com as early as Aug. 8, 2019. (Year: 2019).*

Claoner 32 LED Solar Landscape Spotlights available at amazon.com Sep. 25, 2019. (Year: 2019).*

* cited by examiner

Primary Examiner — Clare E Heflin

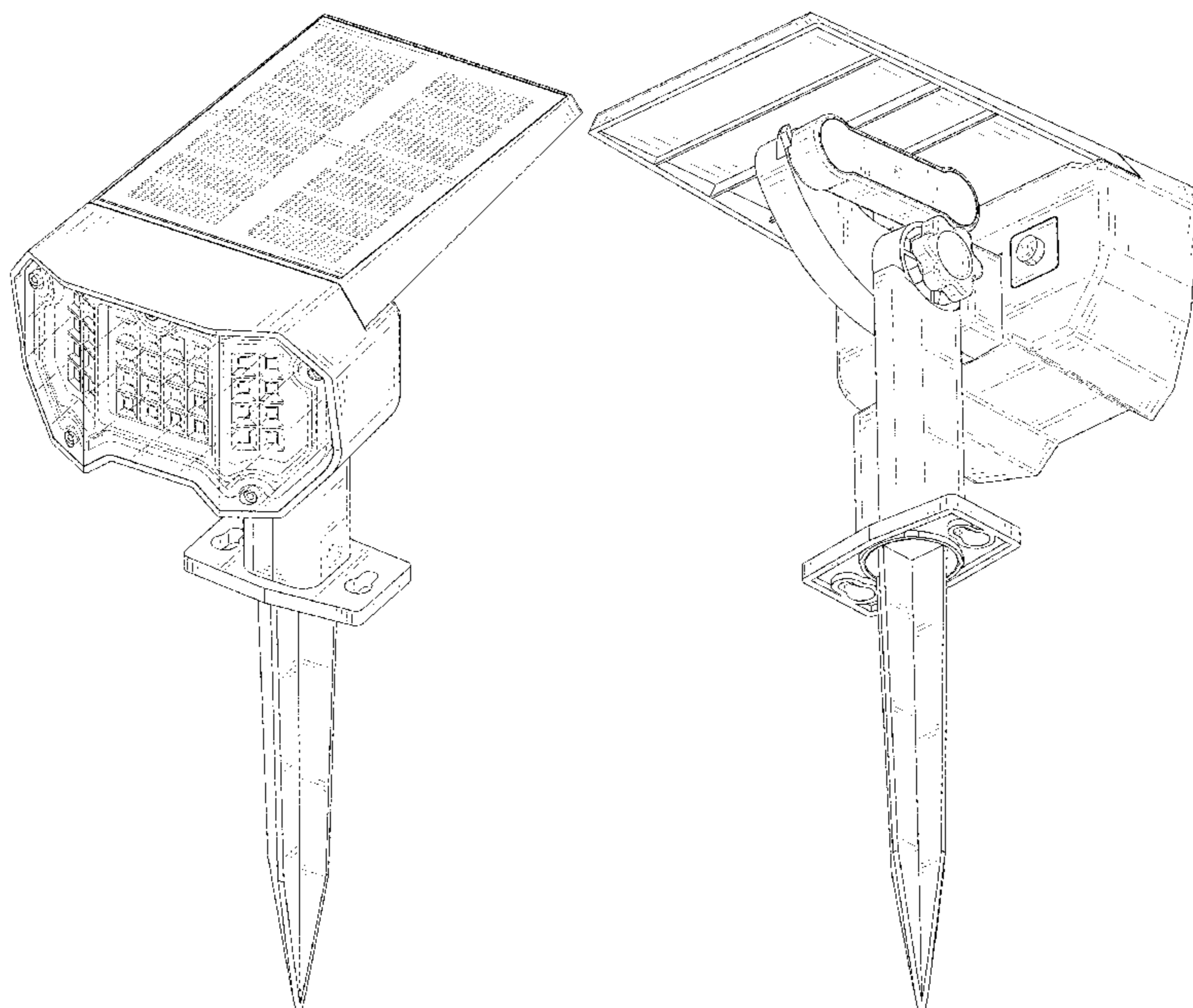
(57) **CLAIM**

The ornamental design for a solar lamp, as shown and described.

DESCRIPTION

FIG. 1 is a perspective view of a solar lamp showing my new design;
FIG. 2 is another perspective view thereof;
FIG. 3 is a front elevational view thereof;
FIG. 4 is a rear elevational view thereof;
FIG. 5 is a left side elevational view thereof;
FIG. 6 is a right side elevational view thereof;
FIG. 7 is a top plan view thereof;
FIG. 8 is a bottom plan view thereof; and,
FIG. 9 is an enlarged view of portion 9 shown in FIG. 4.
The broken lines in the drawings depict portions of the solar lamp that form no part of the claimed design.

1 Claim, 9 Drawing Sheets



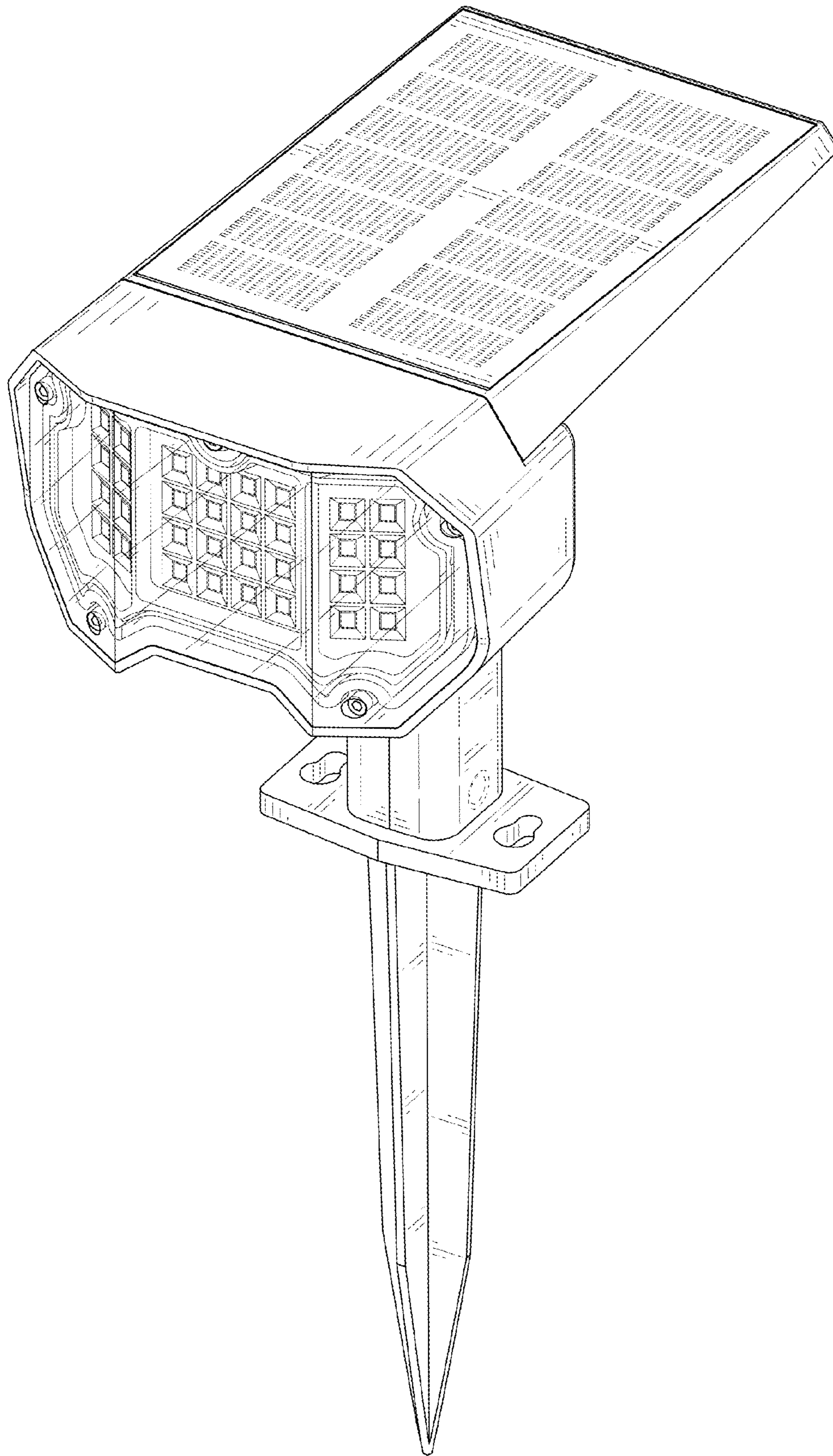


FIG. 1

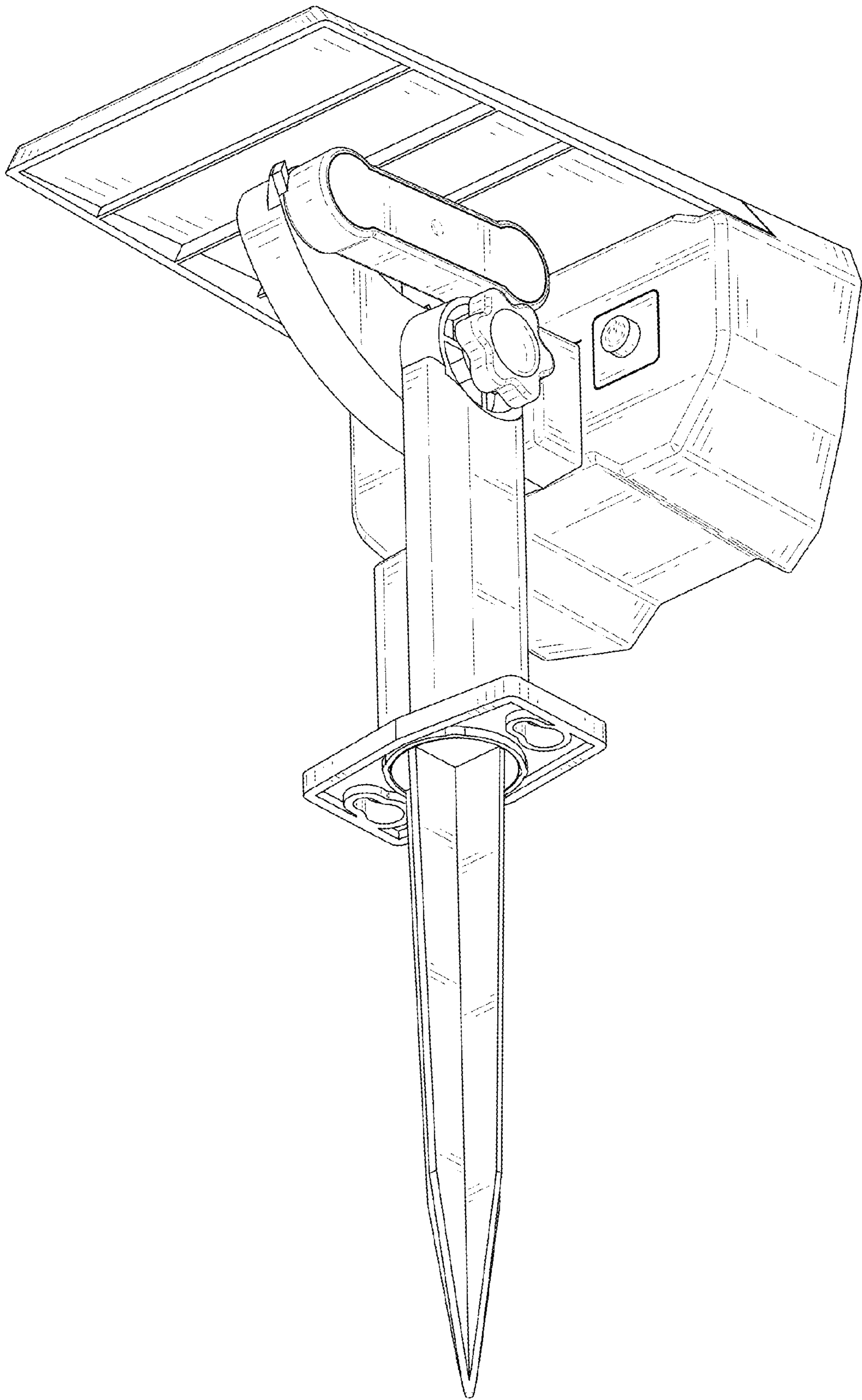


FIG. 2

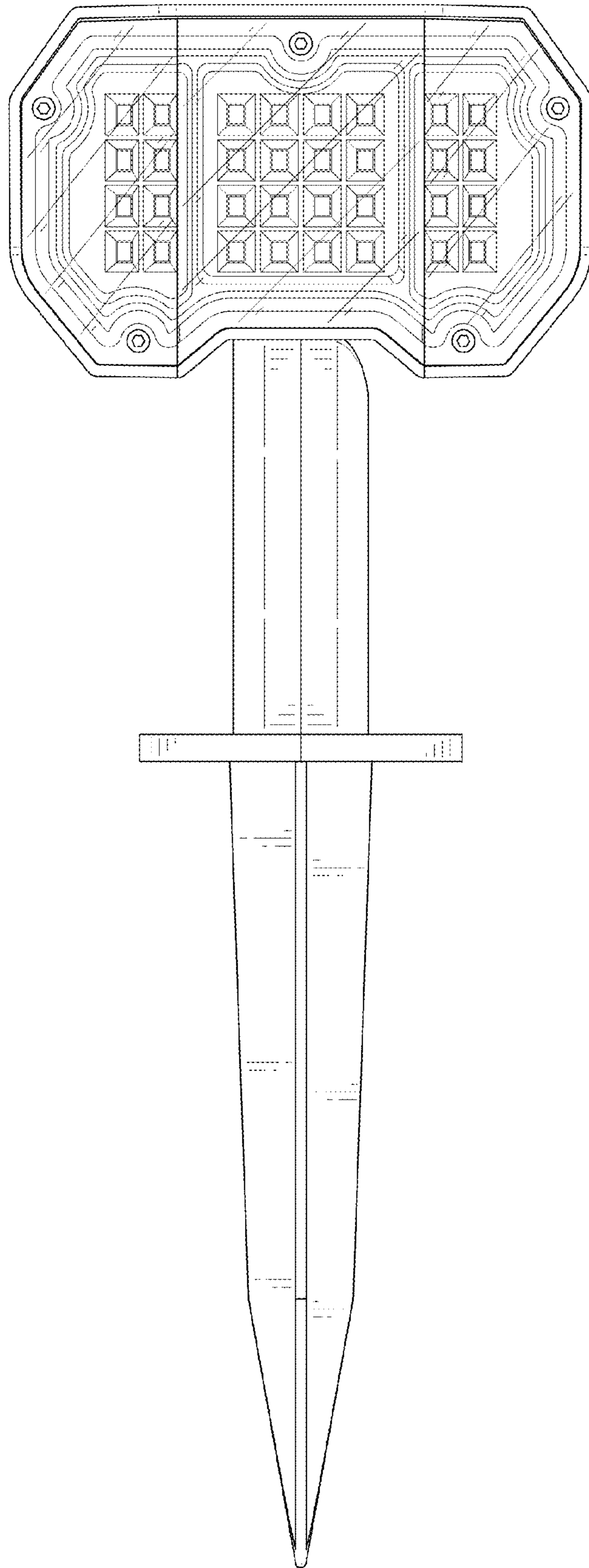


FIG. 3

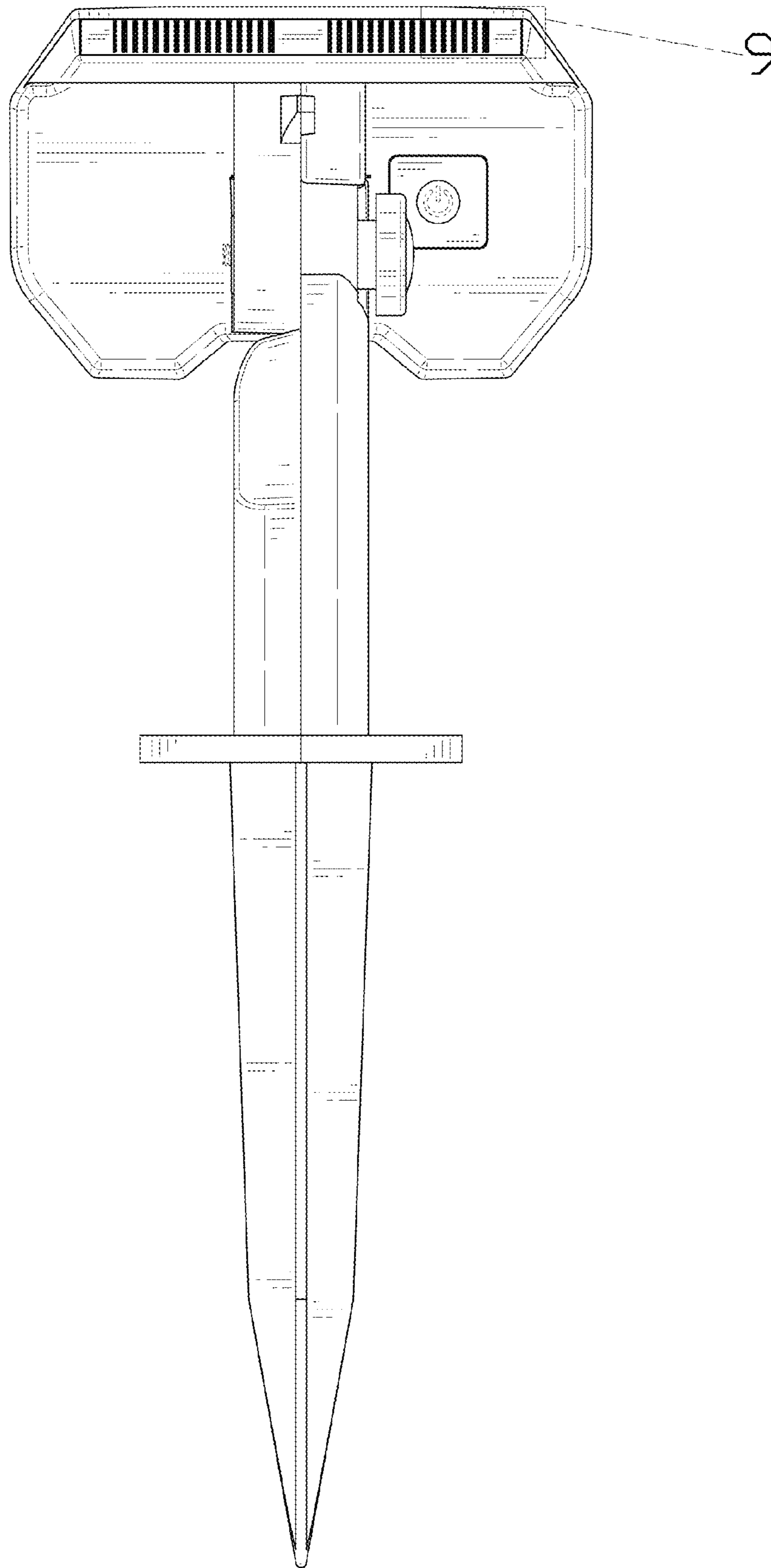


FIG. 4

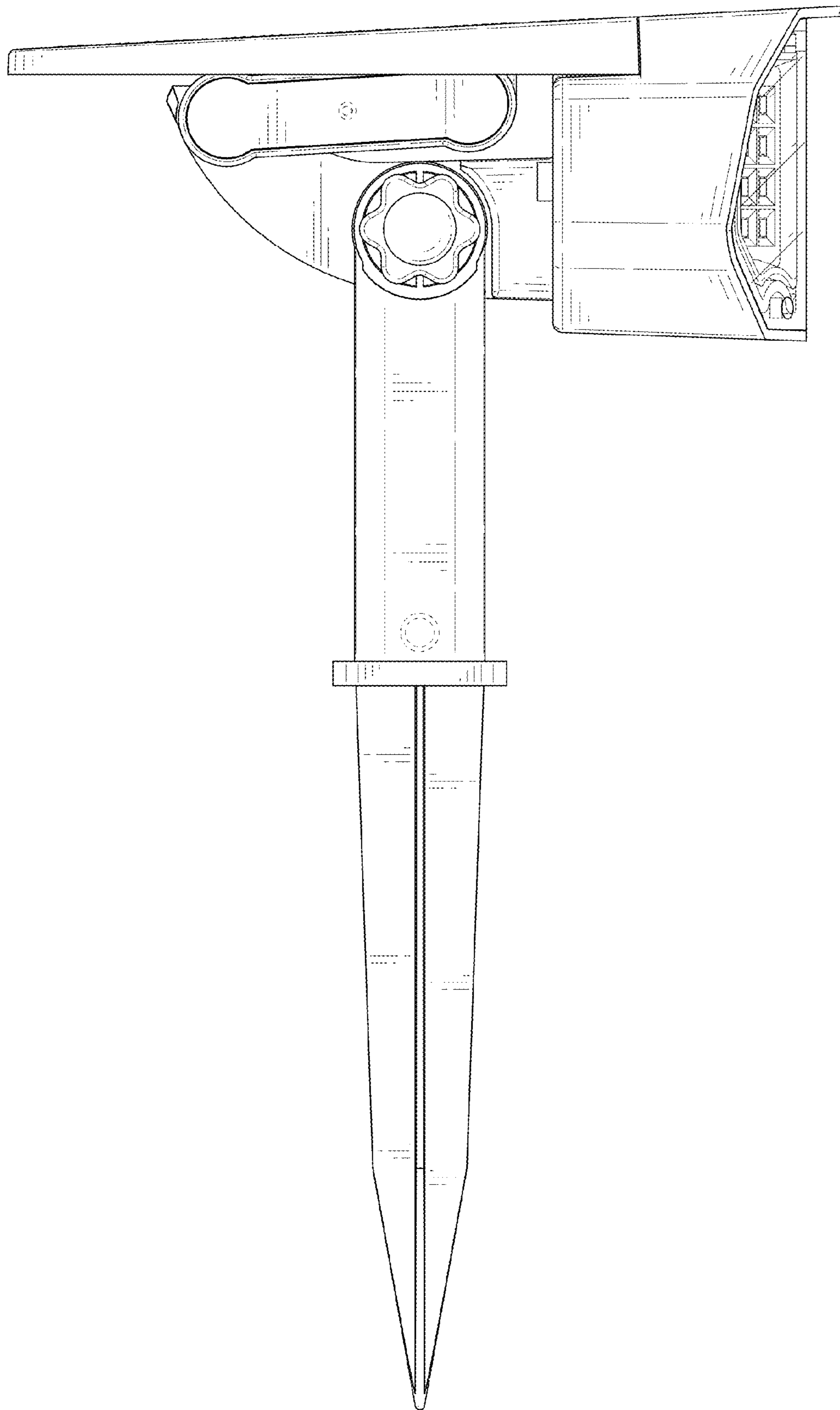


FIG. 5

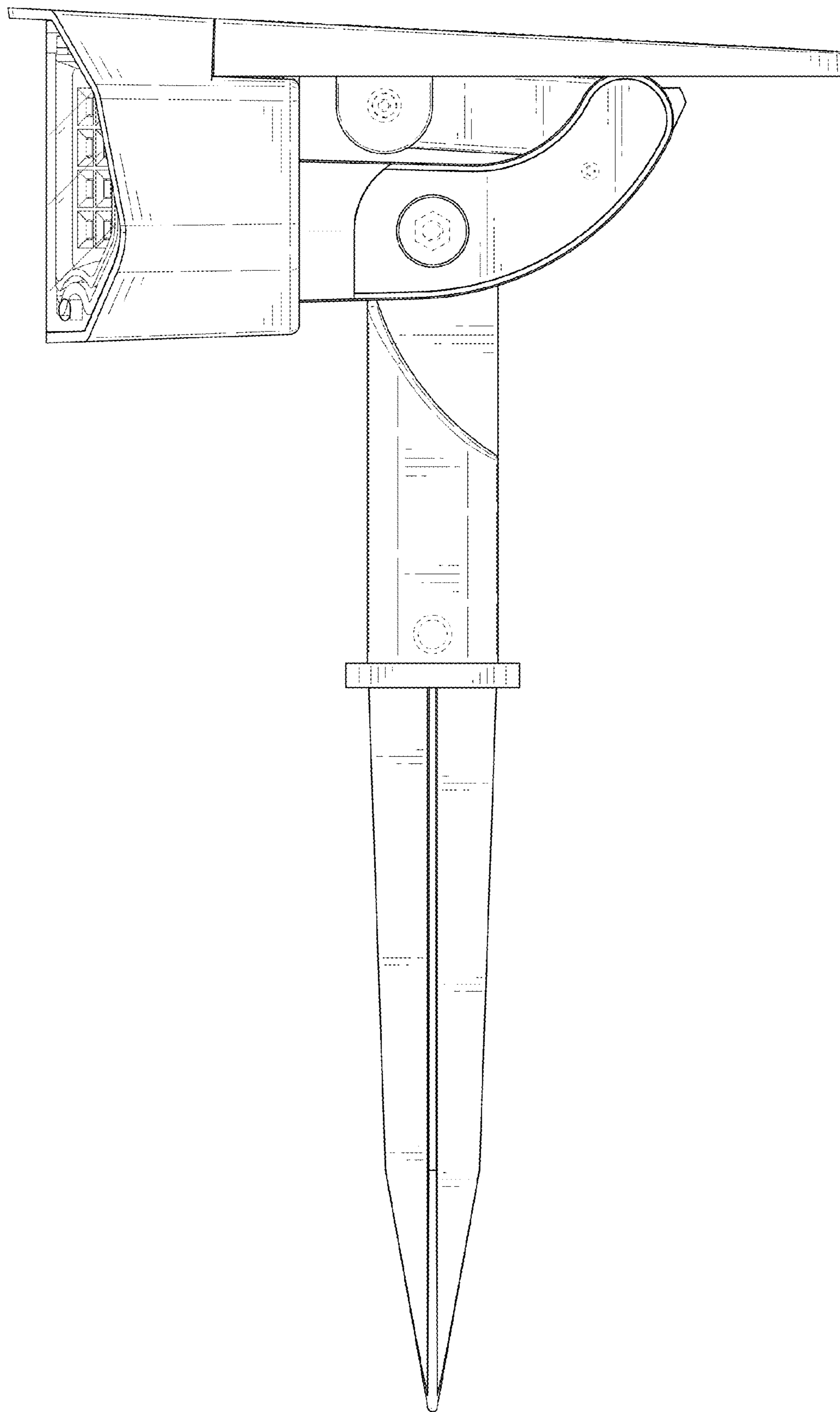


FIG. 6

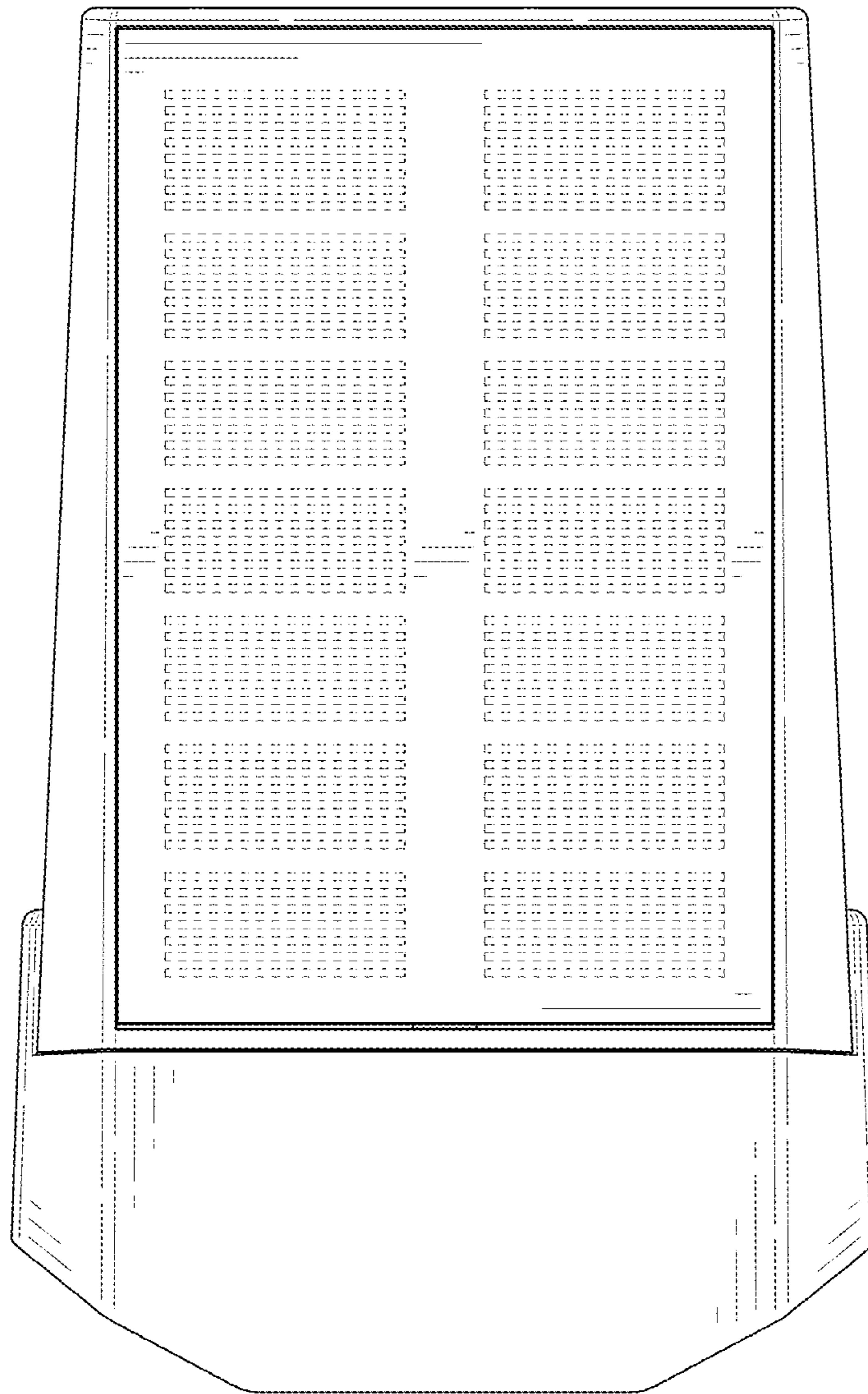


FIG. 7

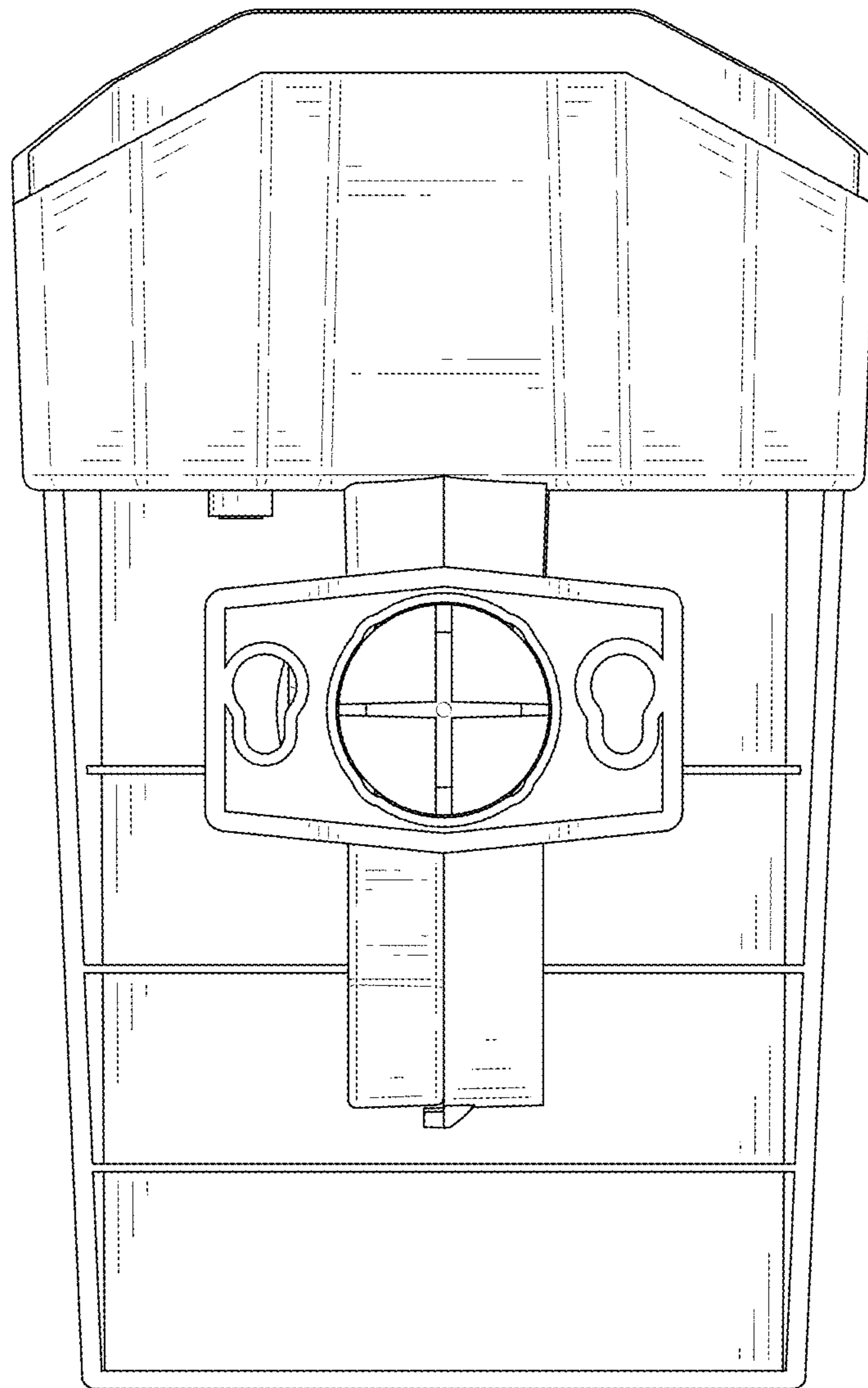


FIG. 8

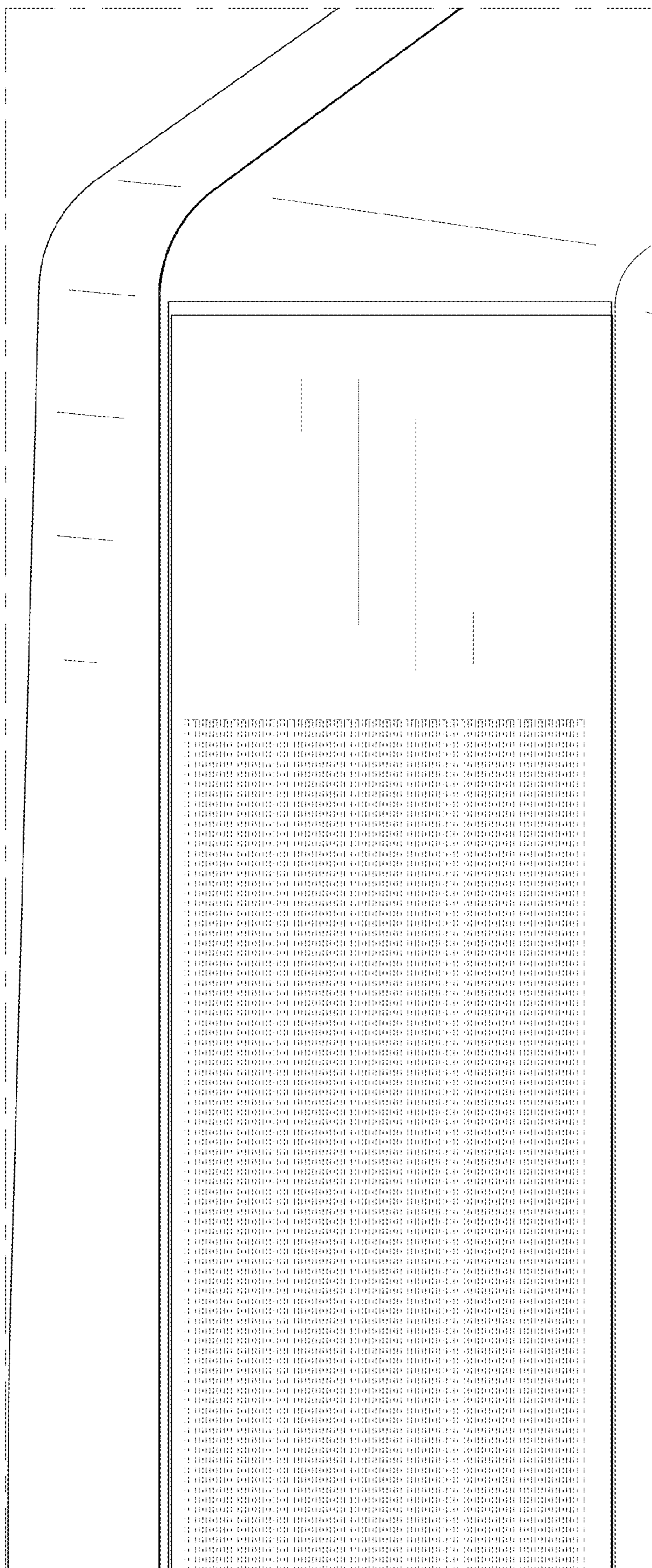


FIG. 9