



US00D925082S

(12) **United States Design Patent**
Fan

(10) **Patent No.:** **US D925,082 S**

(45) **Date of Patent:** **** Jul. 13, 2021**

(54) **LED FLASHLIGHT**

(71) Applicant: **Shenzhen Olight E-Commerce Technology Co., Ltd.**, Guangdong (CN)

(72) Inventor: **Jiang Fan**, HuBei (CN)

(**) Term: **15 Years**

(21) Appl. No.: **29/640,326**

(22) Filed: **Mar. 14, 2018**

(30) **Foreign Application Priority Data**

Feb. 25, 2018 (CN) 201830072971.6

(51) **LOC (13) Cl.** **26-02**

(52) **U.S. Cl.**
USPC **D26/49**

(58) **Field of Classification Search**
USPC D26/37-51
CPC F21L 2003/00; F21L 4/005; F21L 4/02;
F21L 4/025; F21L 4/027; F21L 4/04;
F21L 4/08; F21L 2005/00; F21L 7/00;
F21L 11/00; F21L 13/00; F21L 13/04;
F21L 13/08; F21L 14/02; F21L 17/00;
F21L 19/00; F21L 25/00; F21L 2/00;
F21L 4/00-4/085; F21L 15/00-15/14;
F21L 2001/00

See application file for complete search history.

(56) **References Cited**

U.S. PATENT DOCUMENTS

D428,505 S * 7/2000 Man D26/49
D452,025 S * 12/2001 Poon D26/49

D495,442 S * 8/2004 Packard D26/37
D568,515 S * 5/2008 Liu D26/49
D586,488 S * 2/2009 Kung D26/49
D656,650 S * 3/2012 Yeh D26/46
D681,248 S * 4/2013 Opolka D26/49
D689,225 S * 9/2013 Yeh D26/46
D689,226 S * 9/2013 Yeh D26/46
D719,286 S * 12/2014 Inskeep D26/49
D803,444 S * 11/2017 Green D26/49
D833,050 S * 11/2018 Prieto D26/49
D905,307 S * 12/2020 Windom D26/49
D905,885 S * 12/2020 Kotsis D26/49

* cited by examiner

Primary Examiner — Lakiya G Rogers

Assistant Examiner — William B Melliar

(74) *Attorney, Agent, or Firm* — Prakash Nama; Global IP Services, PLLC

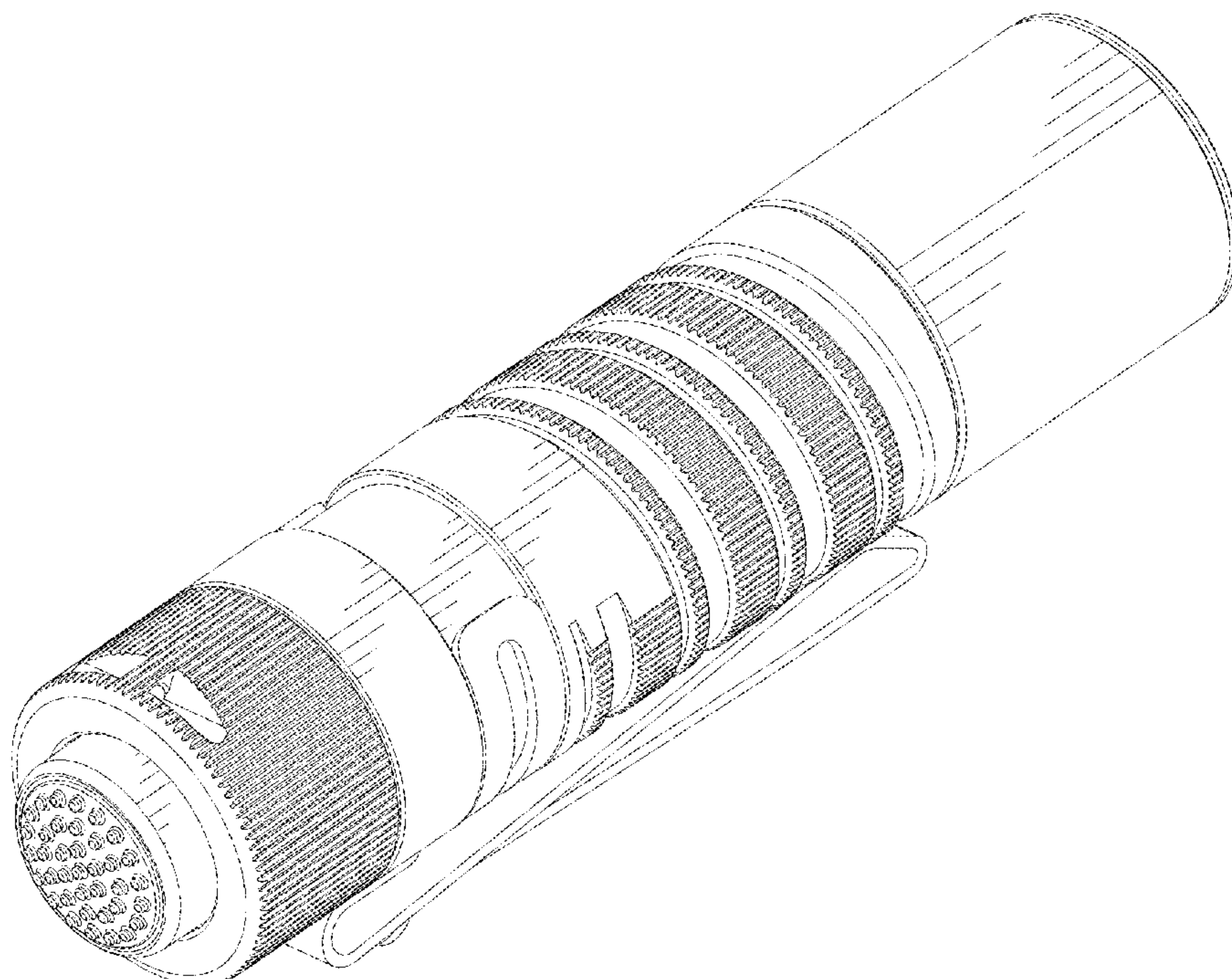
(57) **CLAIM**

The ornamental design for a LED flashlight, as shown.

DESCRIPTION

FIG. 1 is a front elevational view of a LED flashlight showing my new design;
FIG. 2 is a rear elevational view thereof;
FIG. 3 is a left side view thereof;
FIG. 4 is a right side view thereof;
FIG. 5 is a top plan view thereof;
FIG. 6 is a bottom plan view thereof;
FIG. 7 is a perspective view thereof; and,
FIG. 8 is another perspective view thereof.

1 Claim, 7 Drawing Sheets



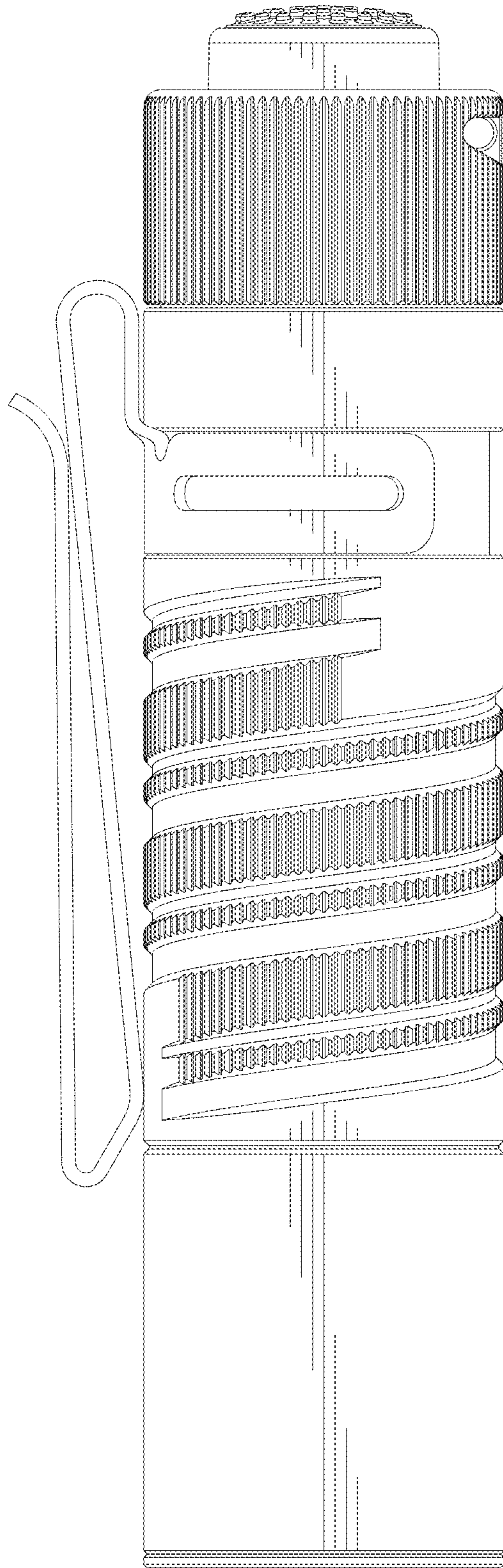


Fig. 1

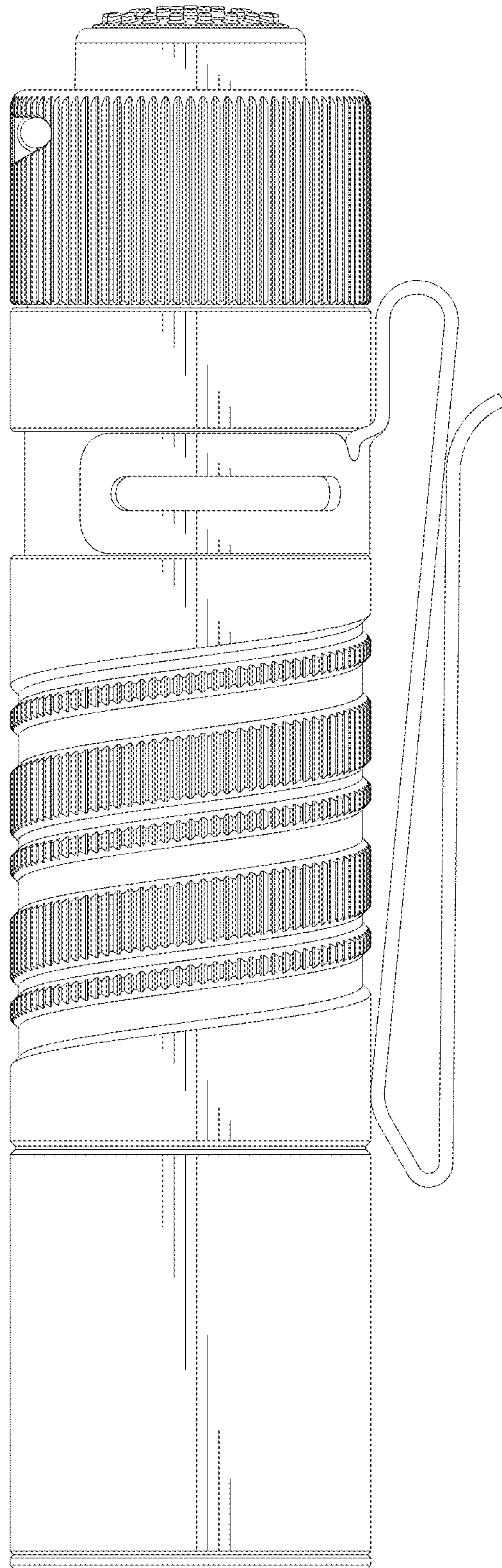


Fig. 2

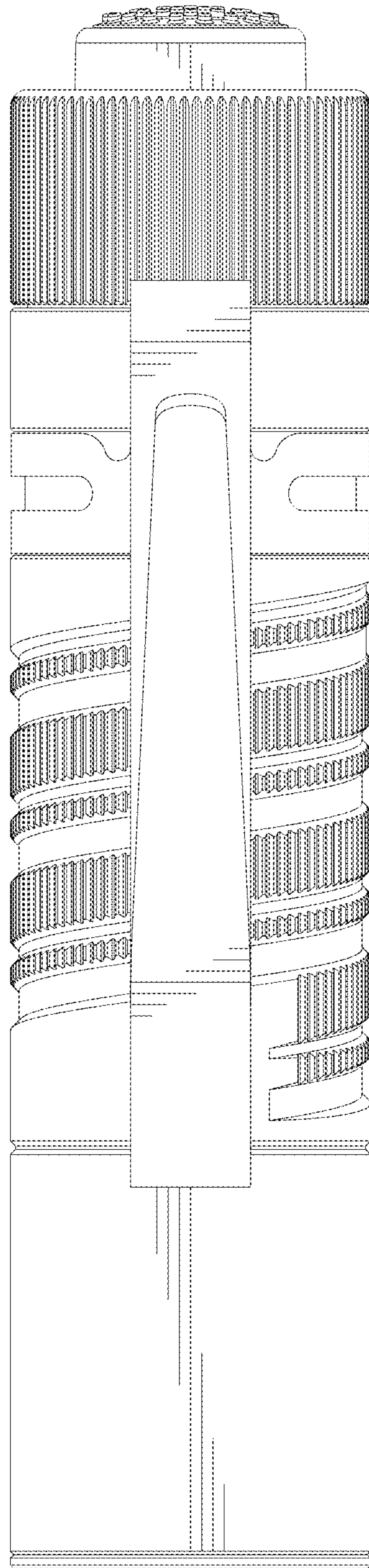


Fig. 3

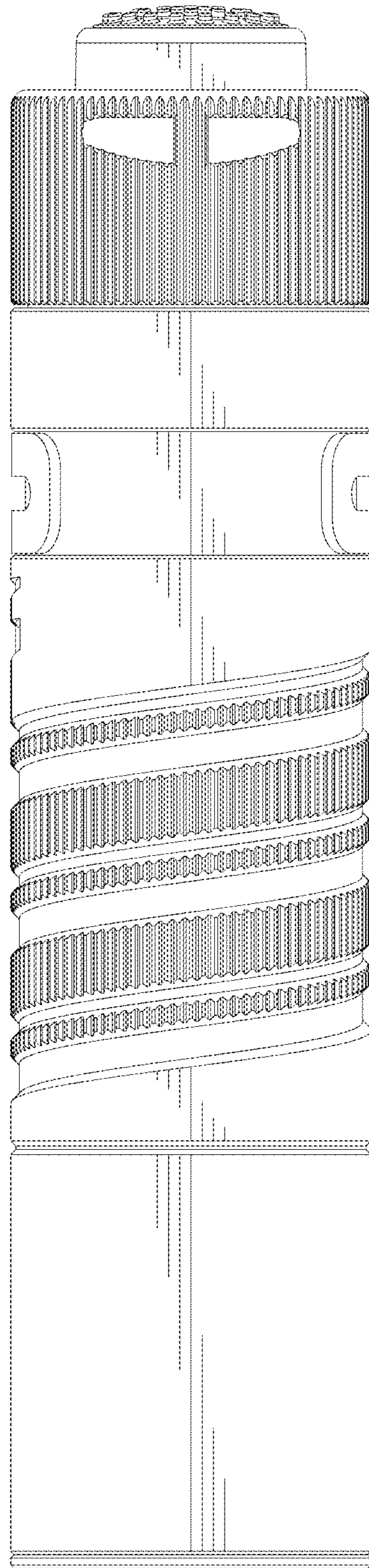


Fig. 4

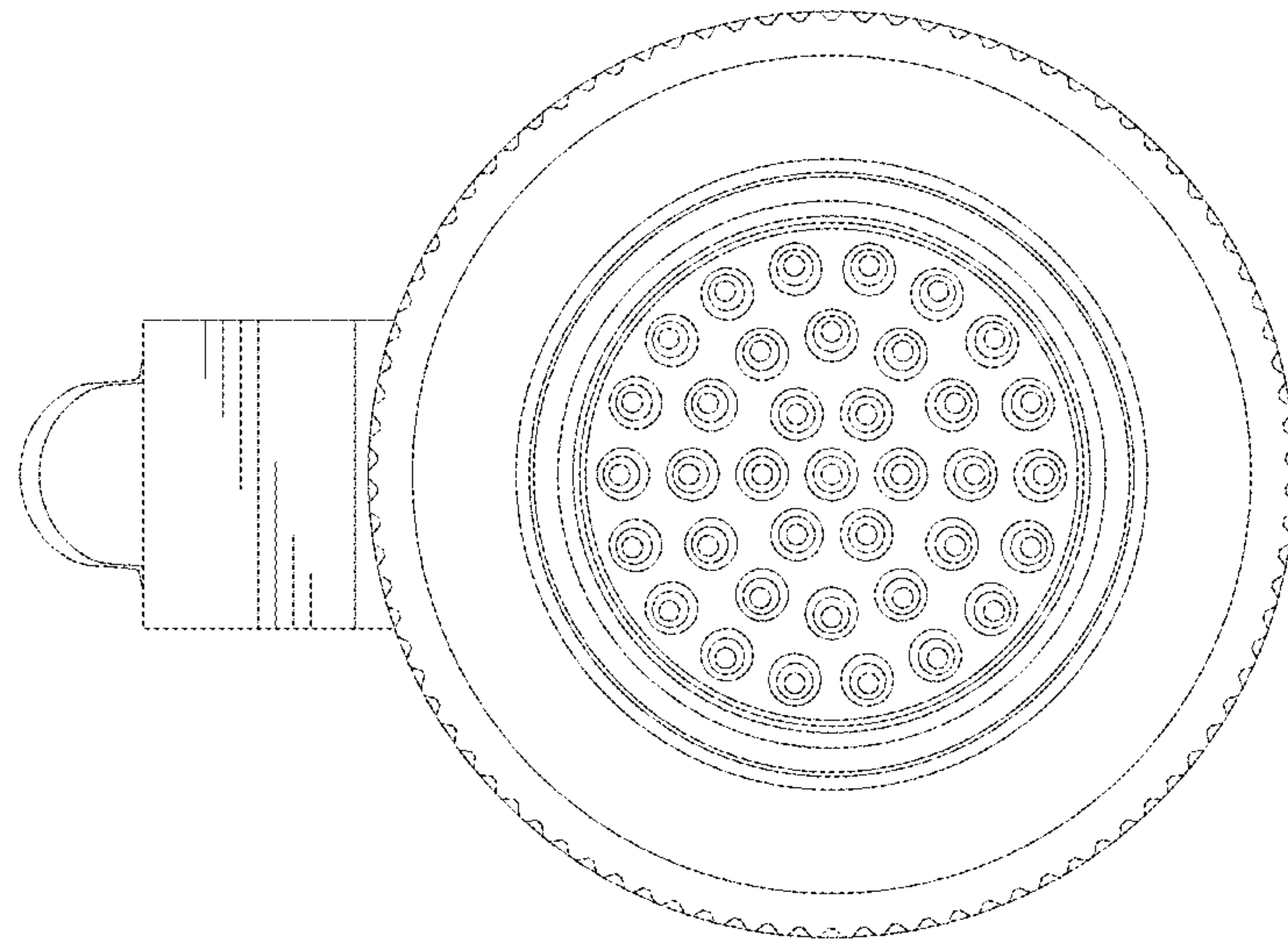


Fig. 5

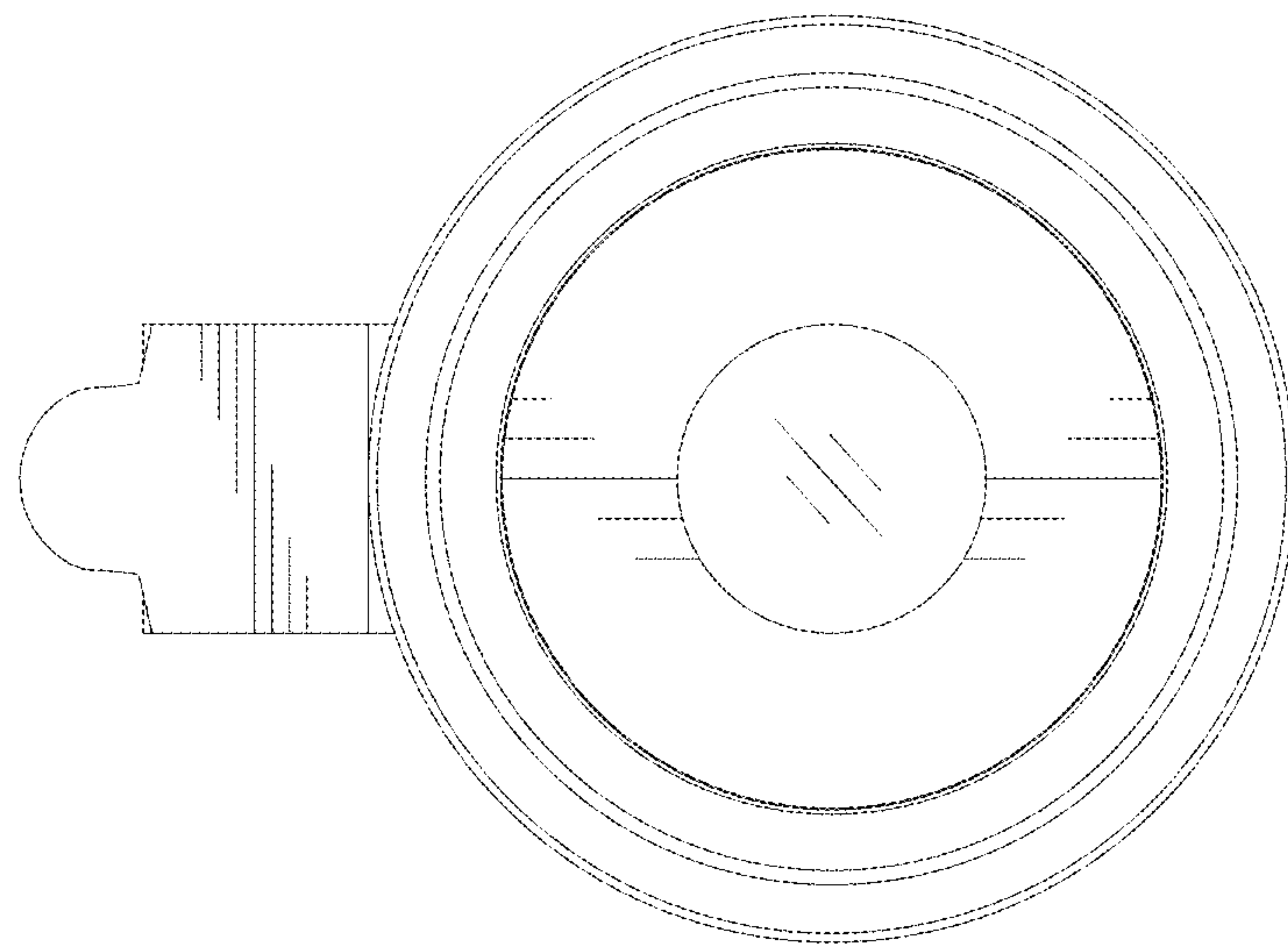


Fig. 6

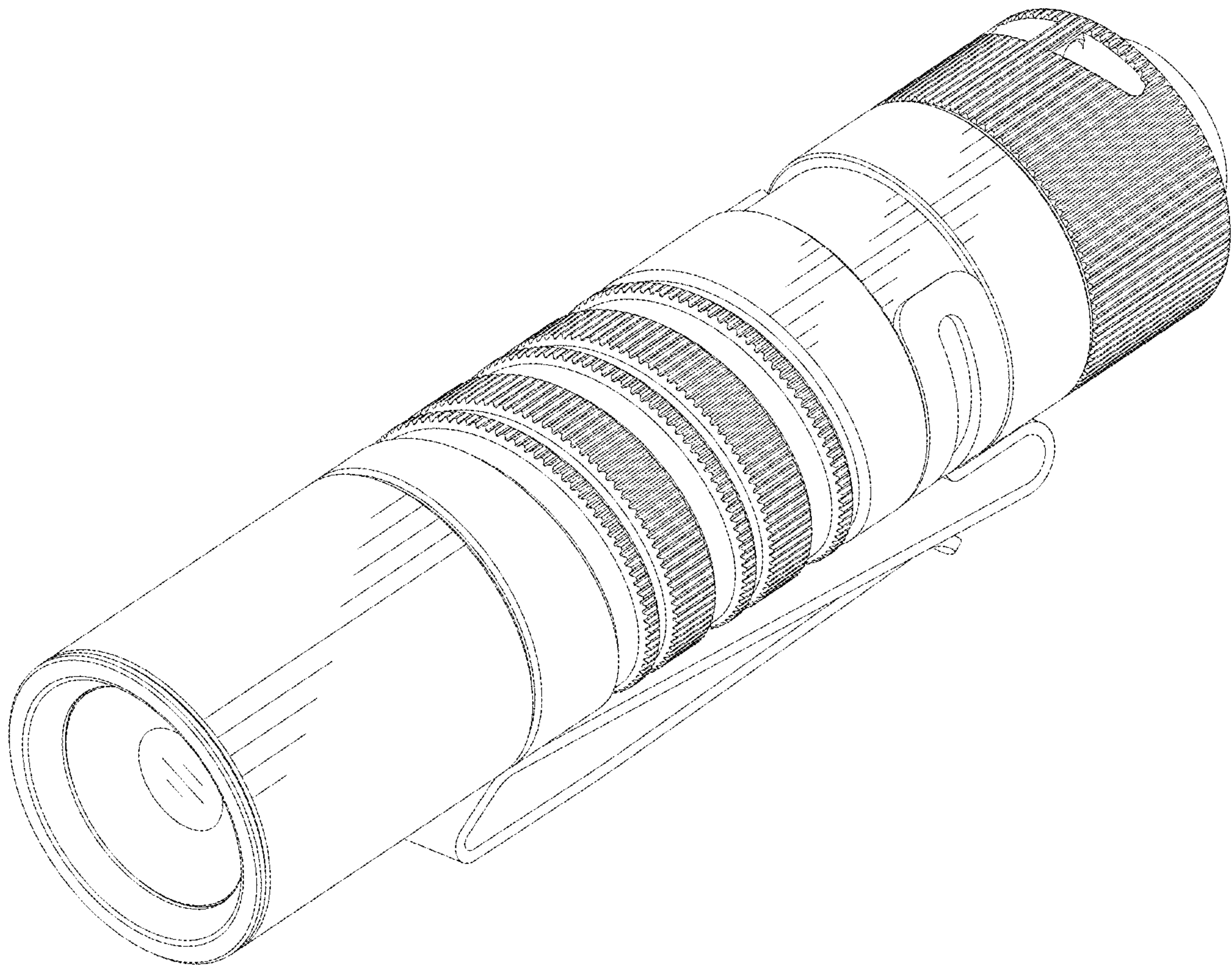


Fig. 7

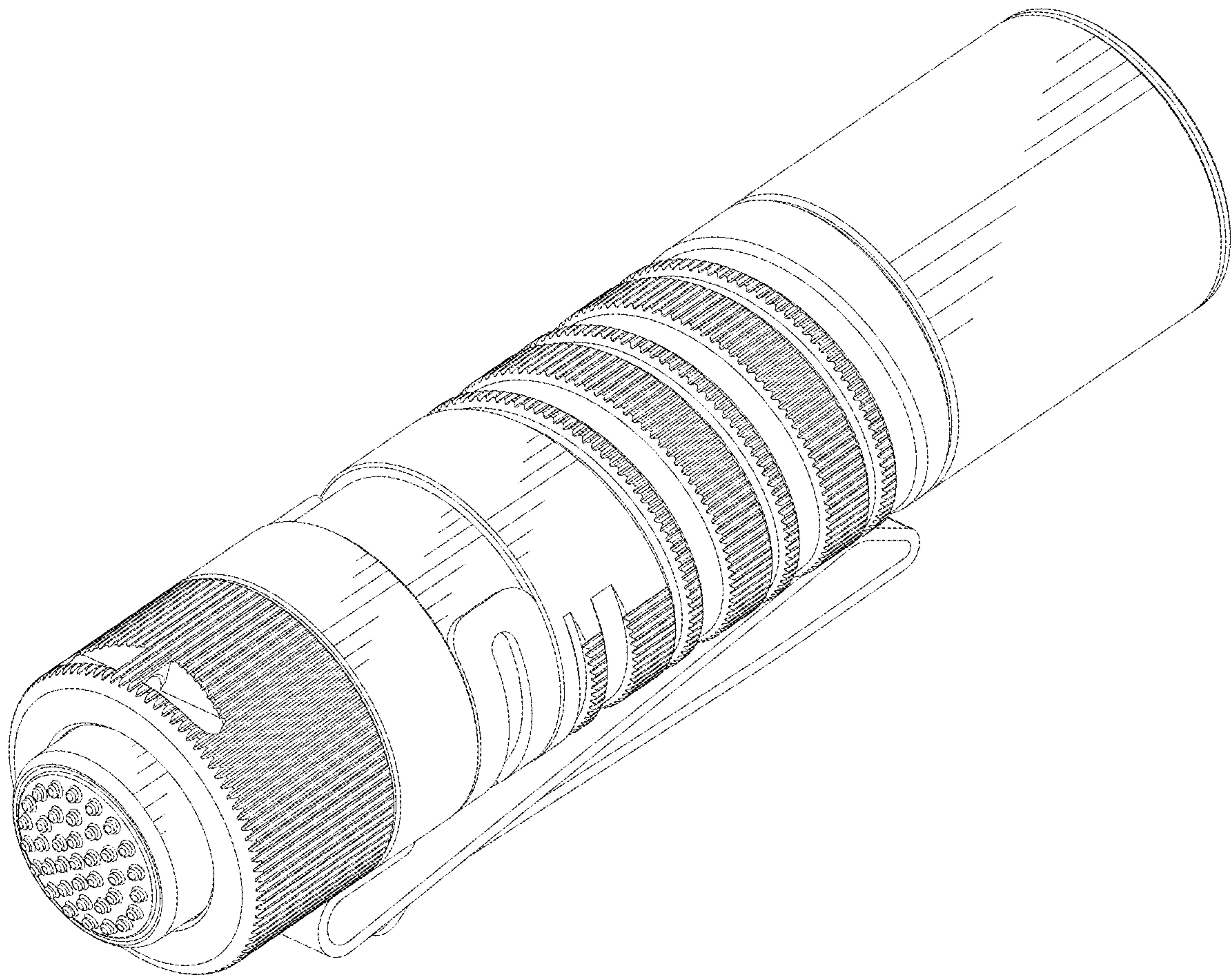


Fig. 8