



US00D925081S

(12) **United States Design Patent**
Ke et al.

(10) **Patent No.:** **US D925,081 S**

(45) **Date of Patent:** **** Jul. 13, 2021**

(54) **STICK LIGHT**

(71) Applicant: **SHENZHEN NEEWER TECHNOLOGY CO. LTD**, Shenzhen (CN)

(72) Inventors: **Yan Ke**, Shenzhen (CN); **Zhaohong Zhu**, Shenzhen (CN)

(73) Assignee: **SHENZHEN NEEWER TECHNOLOGY CO. LTD**, Shenzhen (CN)

(**) Term: **15 Years**

(21) Appl. No.: **29/763,565**

(22) Filed: **Dec. 23, 2020**

(51) **LOC (13) Cl.** **26-02**

(52) **U.S. Cl.**
USPC **D26/37**

(58) **Field of Classification Search**
USPC D26/37-51
CPC F21L 4/00; F21L 4/02; F21L 4/04; F21L 4/08; F21L 4/025; F21L 4/027; F21L 7/00; F21L 11/00; F21L 13/00; F21L 13/04; F21L 13/08; F21L 17/00; F21L 19/00; F21L 25/00
See application file for complete search history.

(56) **References Cited**

U.S. PATENT DOCUMENTS

D556,926 S * 12/2007 Thirouin D26/37
D597,690 S * 8/2009 Yamamoto D26/37

D625,861 S 10/2010 Bertken
D626,671 S 11/2010 Bertken
D639,469 S * 6/2011 Zhuang D26/37
D651,333 S 12/2011 Schrimmer
D651,731 S * 1/2012 Xu D26/37
D655,026 S 2/2012 Schrimmer
D671,250 S 11/2012 Schrimmer
D694,446 S 11/2013 Zhou et al.
D708,376 S 7/2014 Crowe et al.
D890,396 S * 7/2020 Bertken D26/37
D917,752 S * 4/2021 Chien D26/37

* cited by examiner

Primary Examiner — Marcus A Jackson

(74) *Attorney, Agent, or Firm* — Westbridge IP LLC

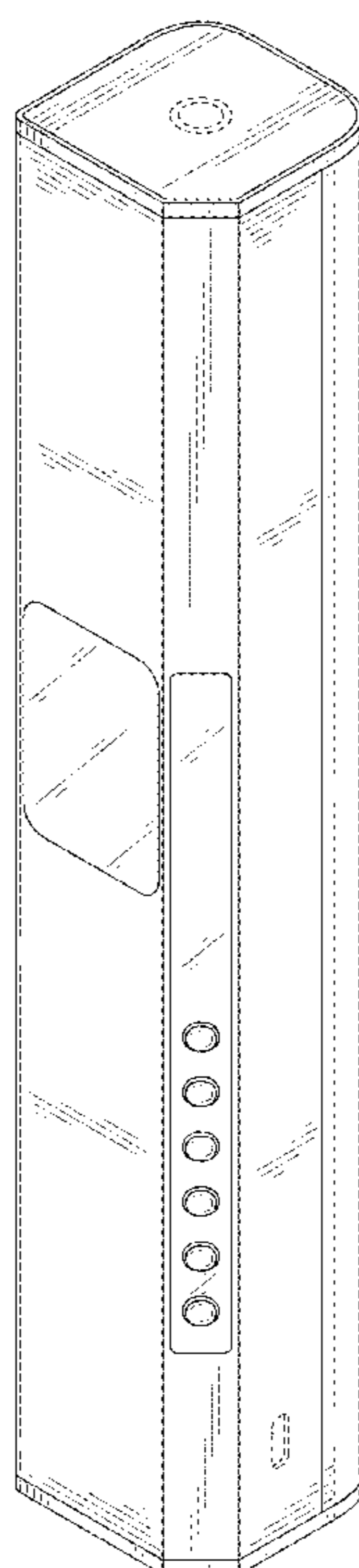
(57) **CLAIM**

The ornamental design for a stick light, as shown and described.

DESCRIPTION

FIG. 1 is a front perspective view of a stick light showing our new design;
FIG. 2 is a rear perspective view thereof;
FIG. 3 is a front elevational view thereof;
FIG. 4 is a rear elevational view thereof;
FIG. 5 is a left side elevational view thereof;
FIG. 6 is a right side elevational view thereof;
FIG. 7 is a top plan view thereof; and,
FIG. 8 is a bottom plan view thereof.
The broken lines in the drawings illustrate the portions of the stick light which form no part of the claimed design.

1 Claim, 8 Drawing Sheets



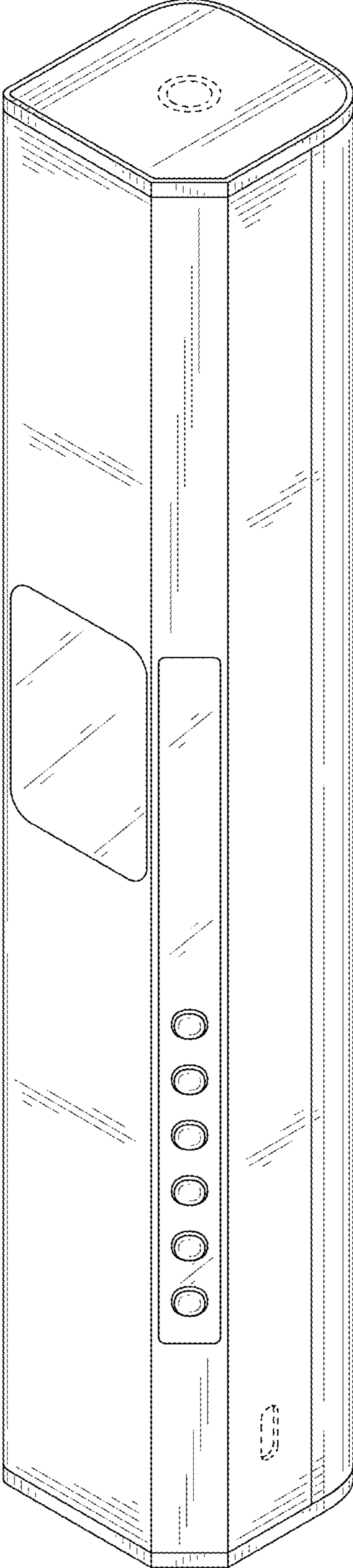


FIG. 1

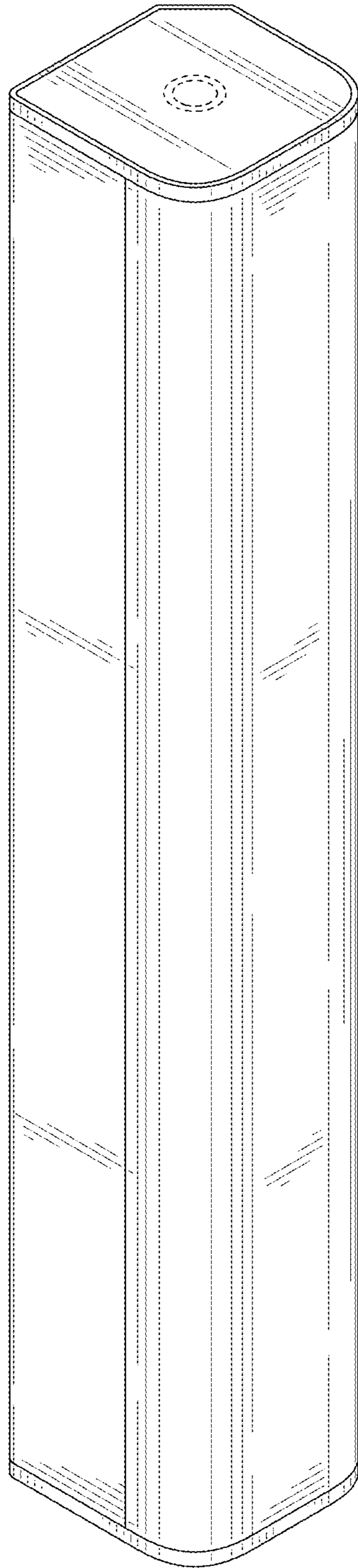


FIG. 2

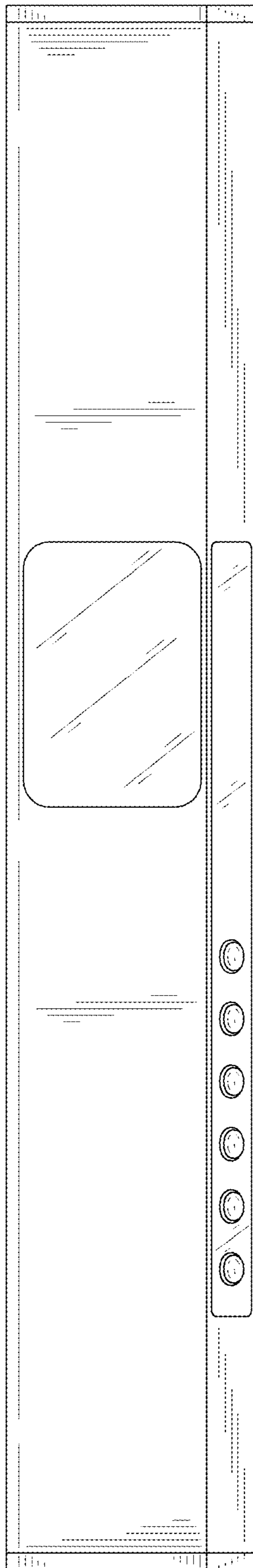


FIG. 3

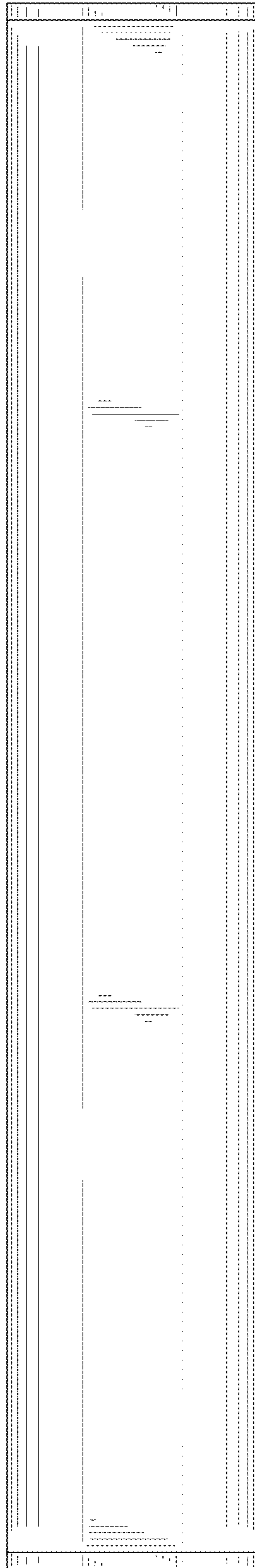


FIG. 4

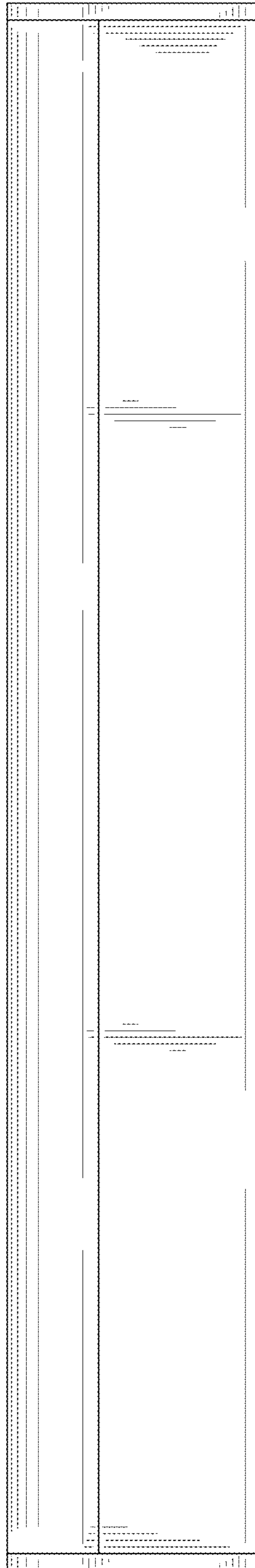


FIG. 5

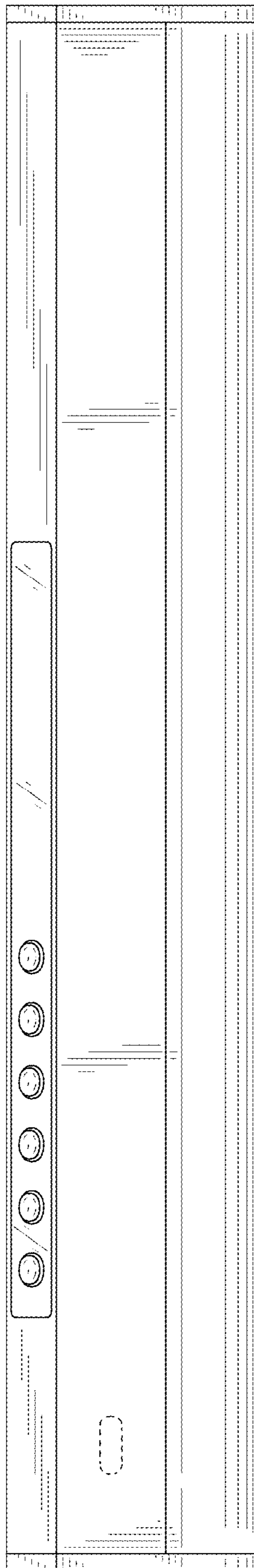


FIG. 6

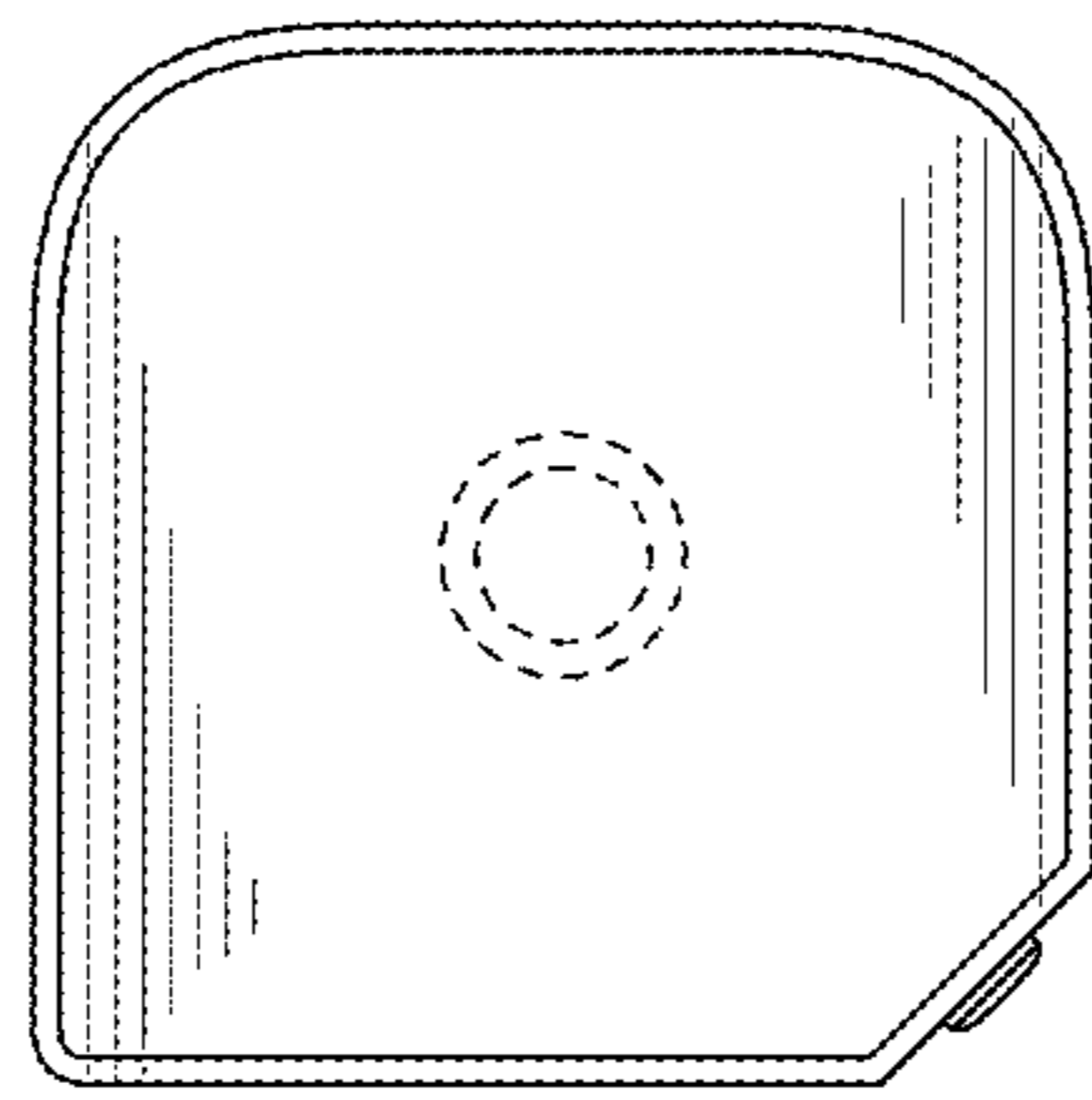


FIG. 7

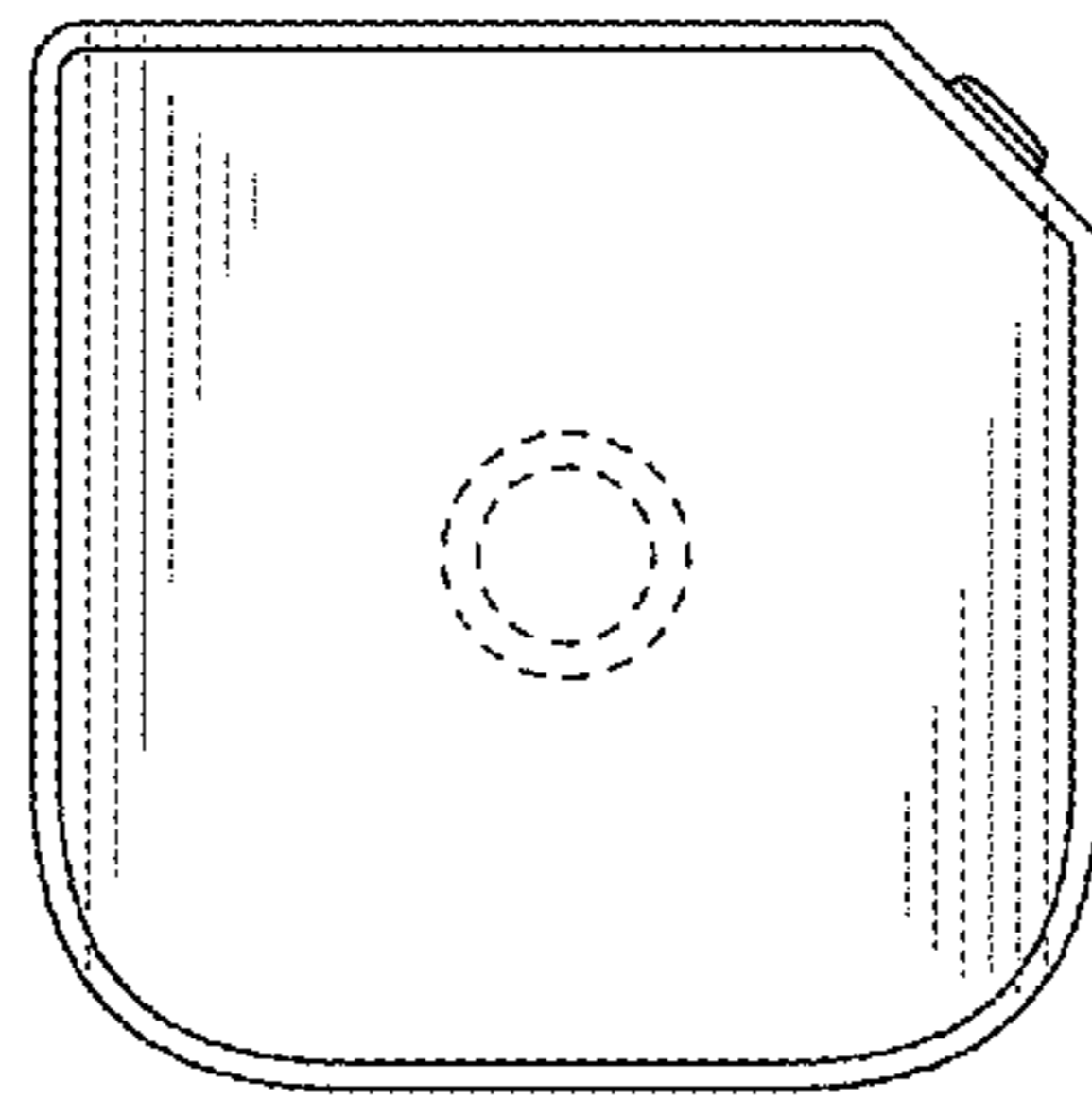


FIG. 8