



US00D925080S

(12) **United States Design Patent**  
**Gu et al.**

(10) **Patent No.:** **US D925,080 S**  
(45) **Date of Patent:** **\*\* Jul. 13, 2021**

- (54) **ILLUMINATABLE DEVICE**
- (71) Applicant: **Uber Technologies, Inc.**, San Francisco, CA (US)
- (72) Inventors: **Janie Gu**, San Francisco, CA (US); **Monina Dolan**, San Francisco, CA (US); **Nikolai Cornell**, San Francisco, CA (US); **Daniel Harden**, Palo Alto, CA (US); **Elliot Ortiz**, San Francisco, CA (US); **Britt Jensen**, San Francisco, CA (US)
- (73) Assignee: **UBER TECHNOLOGIES, INC.**, San Francisco, CA (US)
- (\*\*) Term: **15 Years**
- (21) Appl. No.: **29/678,346**
- (22) Filed: **Jan. 28, 2019**
- (51) **LOC (13) Cl.** ..... **26-06**
- (52) **U.S. Cl.**  
USPC ..... **D26/31**
- (58) **Field of Classification Search**  
USPC ..... D26/24, 28–32; D10/65–66, 70, 109.1, D10/109.2, 113.4, 114.4; D20/10, 17, D20/19–21, 41–42, 99; D12/401, 412  
CPC ..... G02B 6/0091; G02B 6/0071; B62J 6/00; B62J 17/202; G09F 7/16; G09F 2007/122; G09F 2013/1895; G09F 15/00; G19F 13/00; G19F 13/04; G19F 13/06; G19F 13/18; G19F 13/22; G19F 13/24; G19F 13/26  
See application file for complete search history.

- D327,506 S \* 6/1992 Bartholomai ..... D20/10
- D344,101 S \* 2/1994 DeRaffele ..... D20/10
- D350,367 S \* 9/1994 McKelvey ..... D20/10
- D350,774 S \* 9/1994 King ..... D20/10
- D355,675 S \* 2/1995 Craig ..... D20/10
- 5,390,436 A \* 2/1995 Ashall ..... G02B 6/0043  
40/546

(Continued)

**OTHER PUBLICATIONS**

alibaba.com: Two Sided Illuminated Plastic Taxi LED Display. Undated online product page. Retrieved on Sep. 28, 2020 from <[https://www.alibaba.com/product-detail/Two-Sided-Illuminated-Plastic-Taxi-LED\\_60670662903.html](https://www.alibaba.com/product-detail/Two-Sided-Illuminated-Plastic-Taxi-LED_60670662903.html)> (Year: 2020).\*

(Continued)

*Primary Examiner* — Marcus A Jackson

(74) *Attorney, Agent, or Firm* — Mahamedi IP Law LLP

(57) **CLAIM**

The ornamental design of an illuminatable device, as shown and described.

**DESCRIPTION**

FIG. 1 illustrates a first perspective view of an illuminatable device, according to an embodiment.  
 FIG. 2 illustrates a second perspective view of the illuminatable device of FIG. 1.  
 FIG. 3 illustrates a front view of the illuminatable device of FIG. 1.  
 FIG. 4 illustrates a top view of the illuminatable device of FIG. 1.  
 FIG. 5 illustrates a bottom view of the illuminatable device of FIG. 1; and,  
 FIG. 6 illustrates a back view of the illuminatable device of FIG. 1.

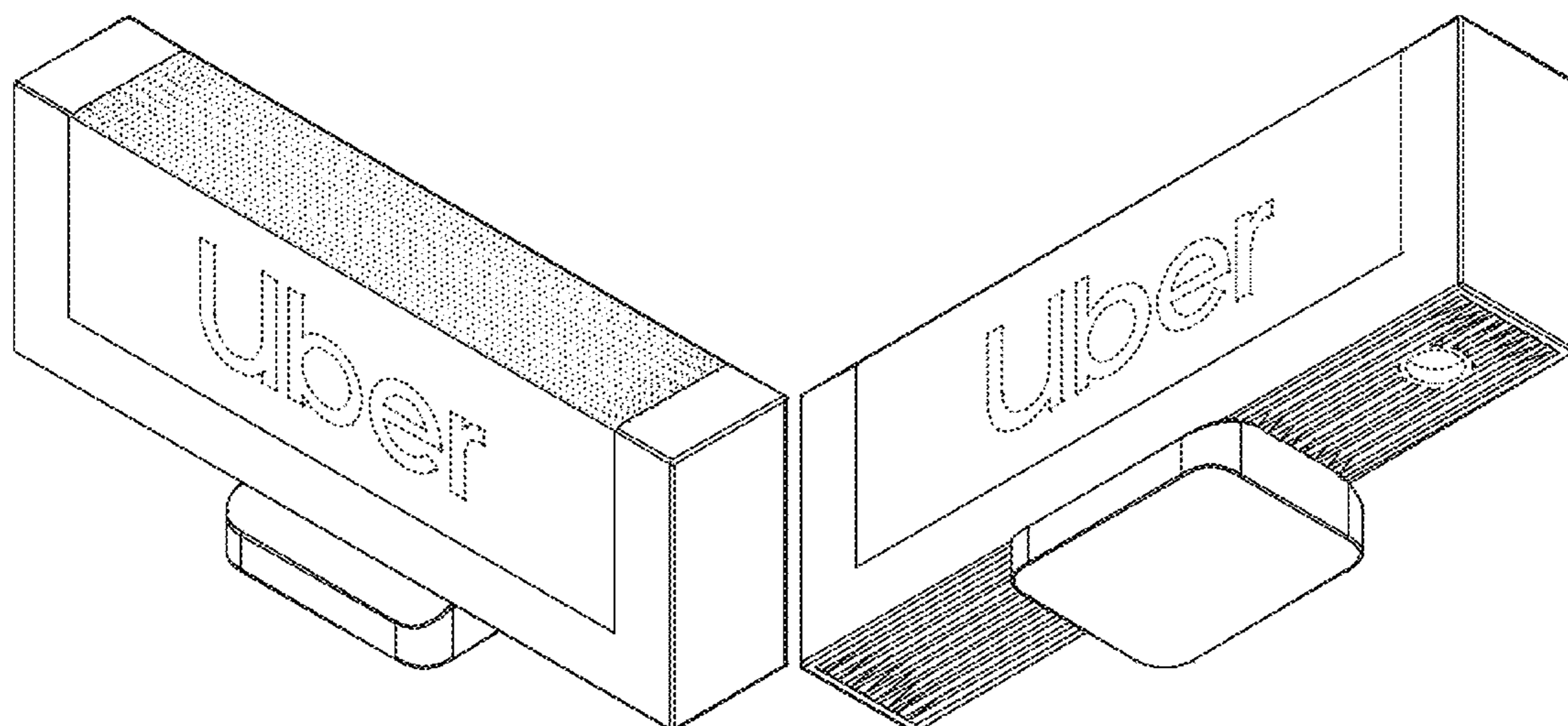
The broken lines which depict a portion(s) or element(s) of the illuminatable device are provided for the purpose of illustrating environment and/or context and form no part of the claimed design.

**1 Claim, 2 Drawing Sheets**

(56) **References Cited**

**U.S. PATENT DOCUMENTS**

- 4,385,343 A \* 5/1983 Plumly ..... G02B 6/0021  
362/223
- D308,543 S \* 6/1990 Hunter ..... D20/10
- D311,551 S \* 10/1990 Hill ..... D20/17



(56)

References Cited

U.S. PATENT DOCUMENTS

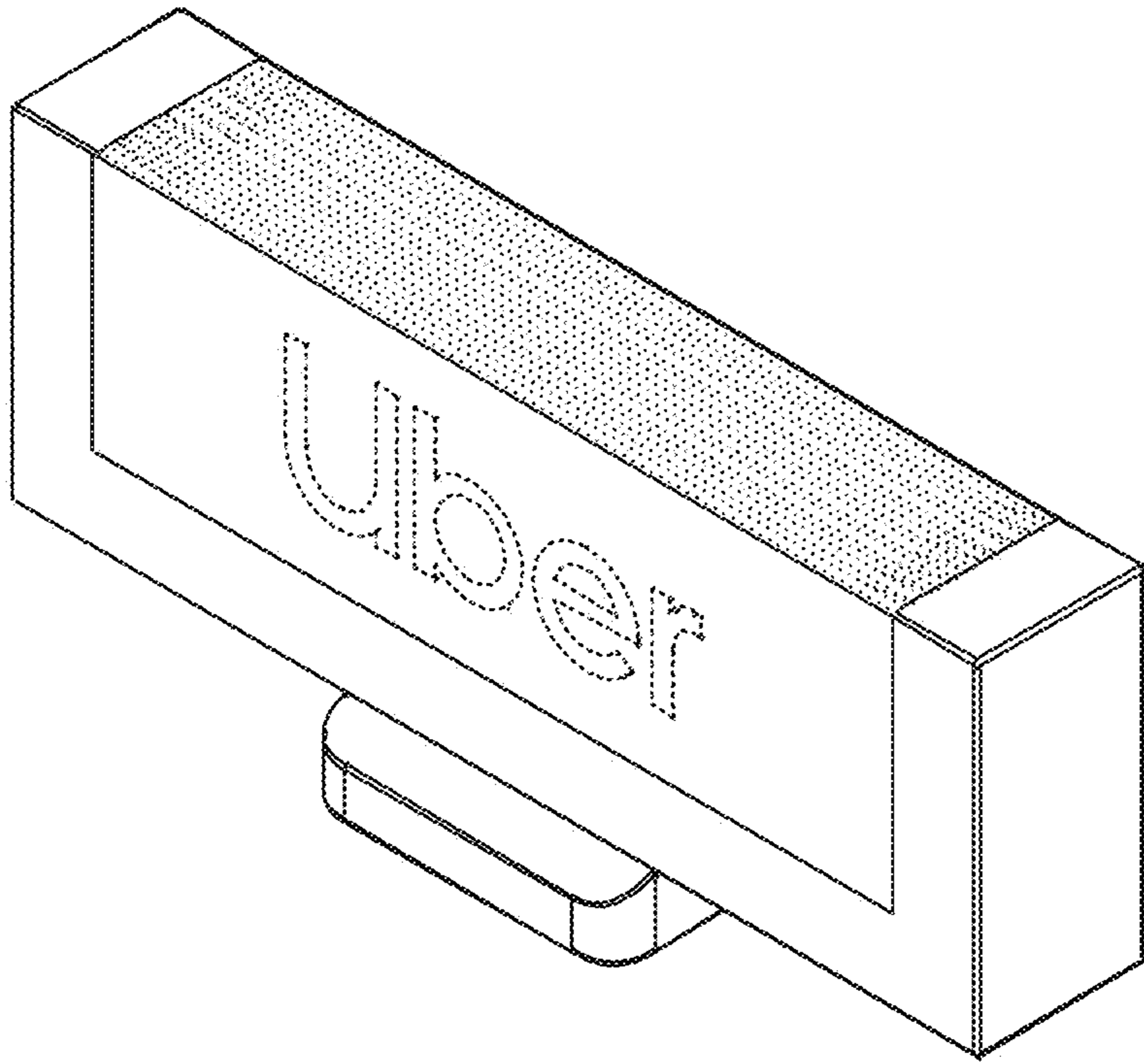
5,485,145 A \* 1/1996 Sniff ..... G08B 7/062  
340/815.4  
D373,387 S \* 9/1996 Wu ..... D20/10  
D394,881 S \* 6/1998 Patel ..... D20/10  
D416,049 S \* 11/1999 Hooley ..... D10/109.1  
6,056,425 A \* 5/2000 Appelberg ..... B60Q 1/2611  
362/493  
D567,876 S \* 4/2008 Au ..... D20/10  
D568,941 S \* 5/2008 Elmer ..... D20/10  
D573,499 S \* 7/2008 King ..... D10/111  
D574,437 S \* 8/2008 Green ..... D20/10  
D635,614 S \* 4/2011 Yan ..... D20/10  
D639,340 S \* 6/2011 Martin ..... D20/10  
D656,195 S \* 3/2012 Renard ..... D20/10  
D657,421 S \* 4/2012 Yan ..... D20/10  
D669,938 S \* 10/2012 Lard ..... D20/10  
D737,500 S \* 8/2015 Santoro ..... D26/120  
D744,040 S \* 11/2015 Schloss ..... G09F 13/18  
D20/10  
D755,658 S \* 5/2016 Daba ..... D10/109.1  
D774,409 S \* 12/2016 Kalanick ..... D10/114.9  
D775,989 S \* 1/2017 Kalanick ..... D10/109.1  
D777,258 S \* 1/2017 Strempack ..... D20/10  
D779,354 S \* 2/2017 Deyaf ..... D10/114.4  
D785,479 S \* 5/2017 Watson ..... D10/114.1  
D799,726 S \* 10/2017 Cianchino ..... D26/24

D831,116 S \* 10/2018 Banas ..... D20/10  
D841,508 S \* 2/2019 Kalanick ..... D10/109.1  
D848,529 S \* 5/2019 Lee ..... D20/10  
D873,268 S \* 1/2020 Yuksek ..... D14/349  
D878,467 S \* 3/2020 Hornsby ..... D20/10  
D879,202 S \* 3/2020 Hornsby ..... D20/10  
D884,240 S \* 5/2020 Ruggiero ..... D26/61  
2014/0081764 A1\* 3/2014 James ..... G06Q 30/0265  
705/14.63  
2015/0068081 A1\* 3/2015 Mimura ..... G09F 13/04  
40/564  
2015/0294603 A1\* 10/2015 Braunstein ..... G09G 3/004  
315/86  
2018/0087734 A1\* 3/2018 Miller ..... B60Q 1/0433  
2019/0097092 A1\* 3/2019 Yamae ..... G02B 6/0006

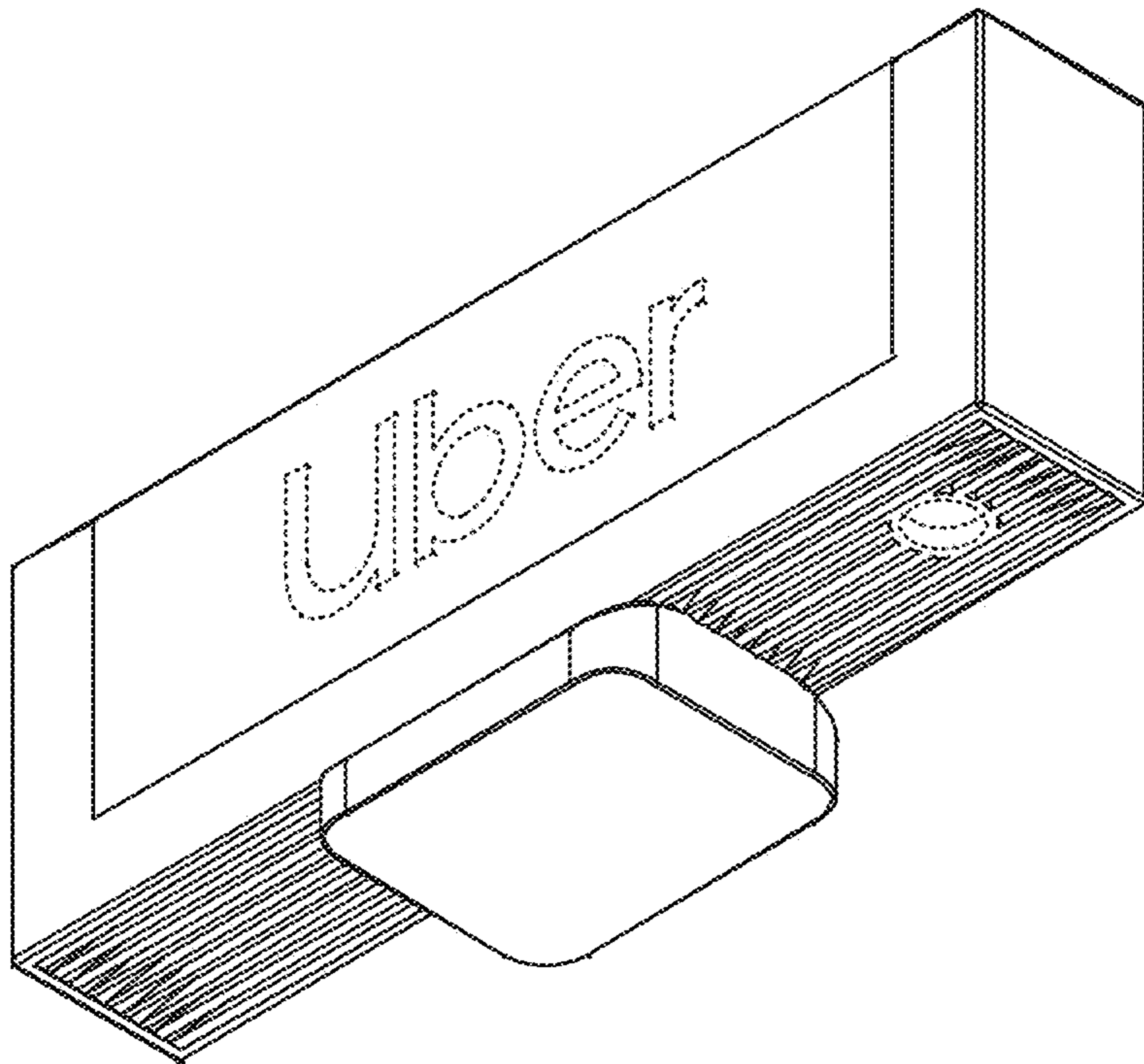
OTHER PUBLICATIONS

carnecessaries.com: Uber Led light,Uber Cab Roof Top Illuminated Sign Topper. Undated online product page. Retrieved on Sep. 28, 2020 from <<https://www.carnecessaries.com/product/lighting-accessories/uber-lyft-taxi-lights/> . . . > (Year: 2020).\*  
wish.com: 70CM Long DIY LED Blank Taxi Cab Sign Roof Top Topper. Undated online product page. Retrieved on Sep. 28, 2020 from <[https://www.wish.com/product/5ba0eb8746d0d03d8a2e4347?hide\\_login\\_modal=true&from\\_ad=goog\\_shopping&\\_display\\_country\\_code=US&\\_force\\_currency\\_code](https://www.wish.com/product/5ba0eb8746d0d03d8a2e4347?hide_login_modal=true&from_ad=goog_shopping&_display_country_code=US&_force_currency_code) . . . > (Year: 2020).\*

\* cited by examiner



**FIG. 1**



**FIG. 2**

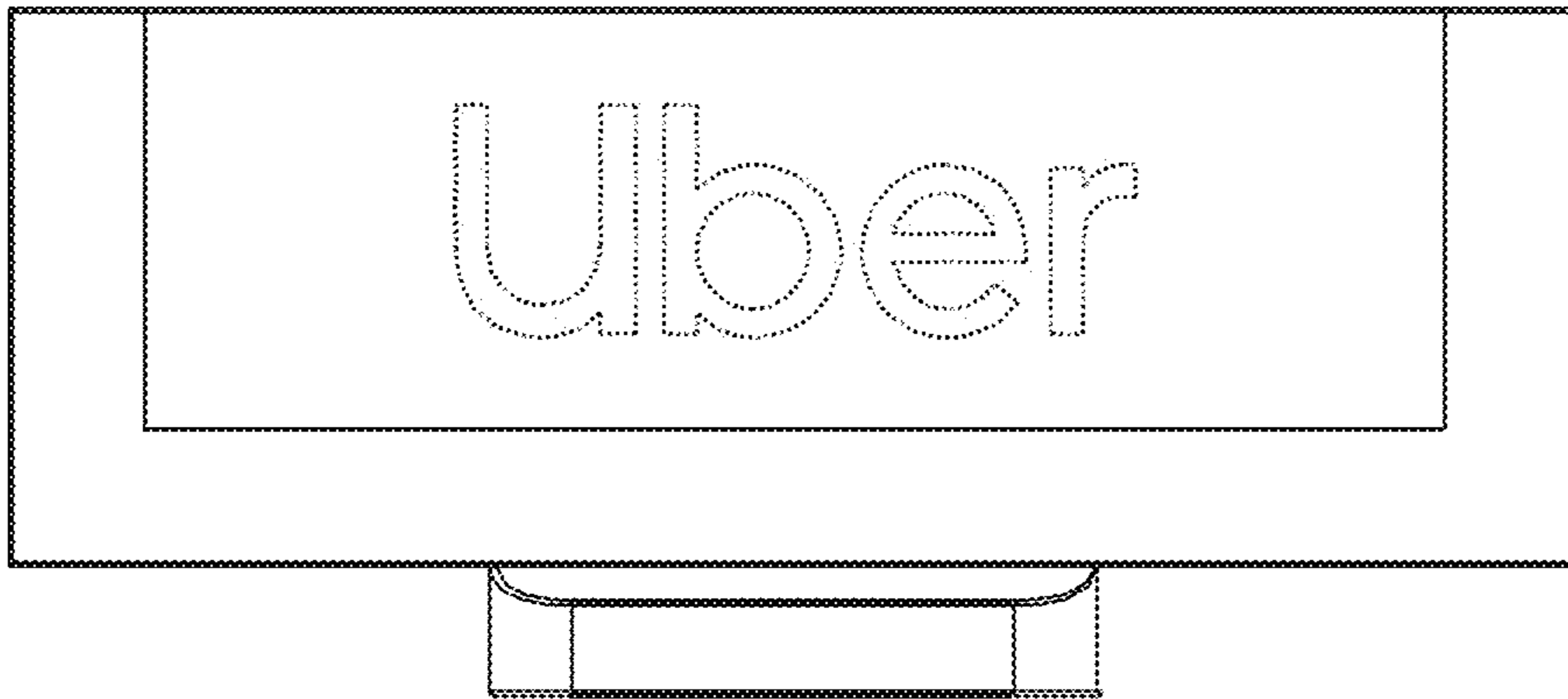


FIG. 3

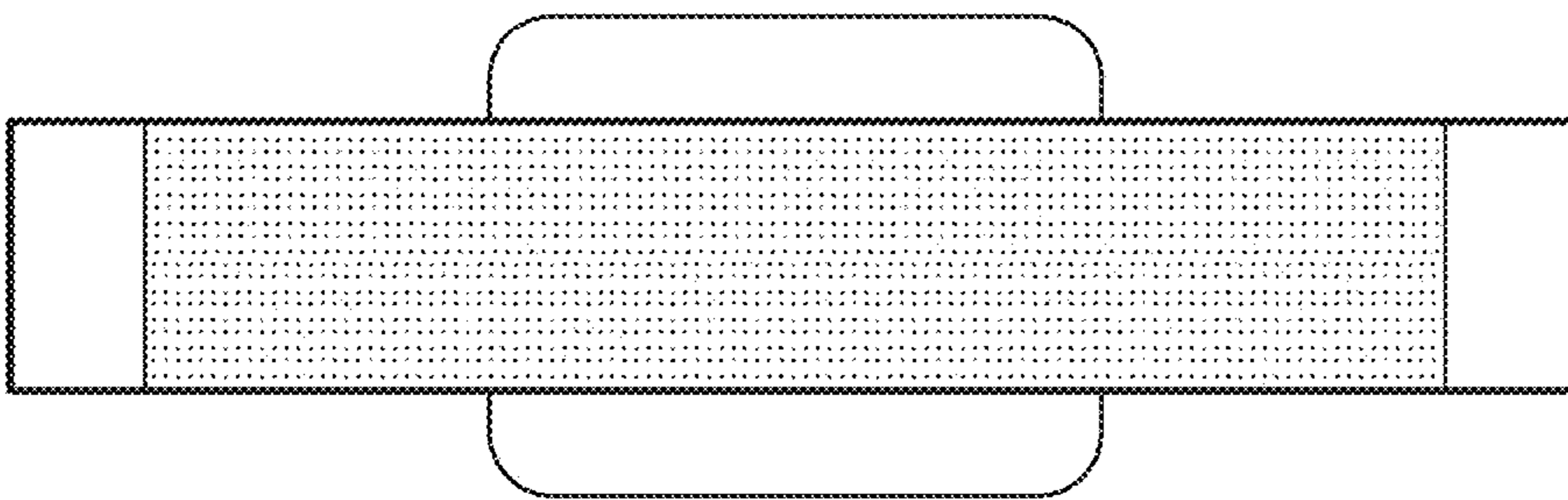


FIG. 4



FIG. 5

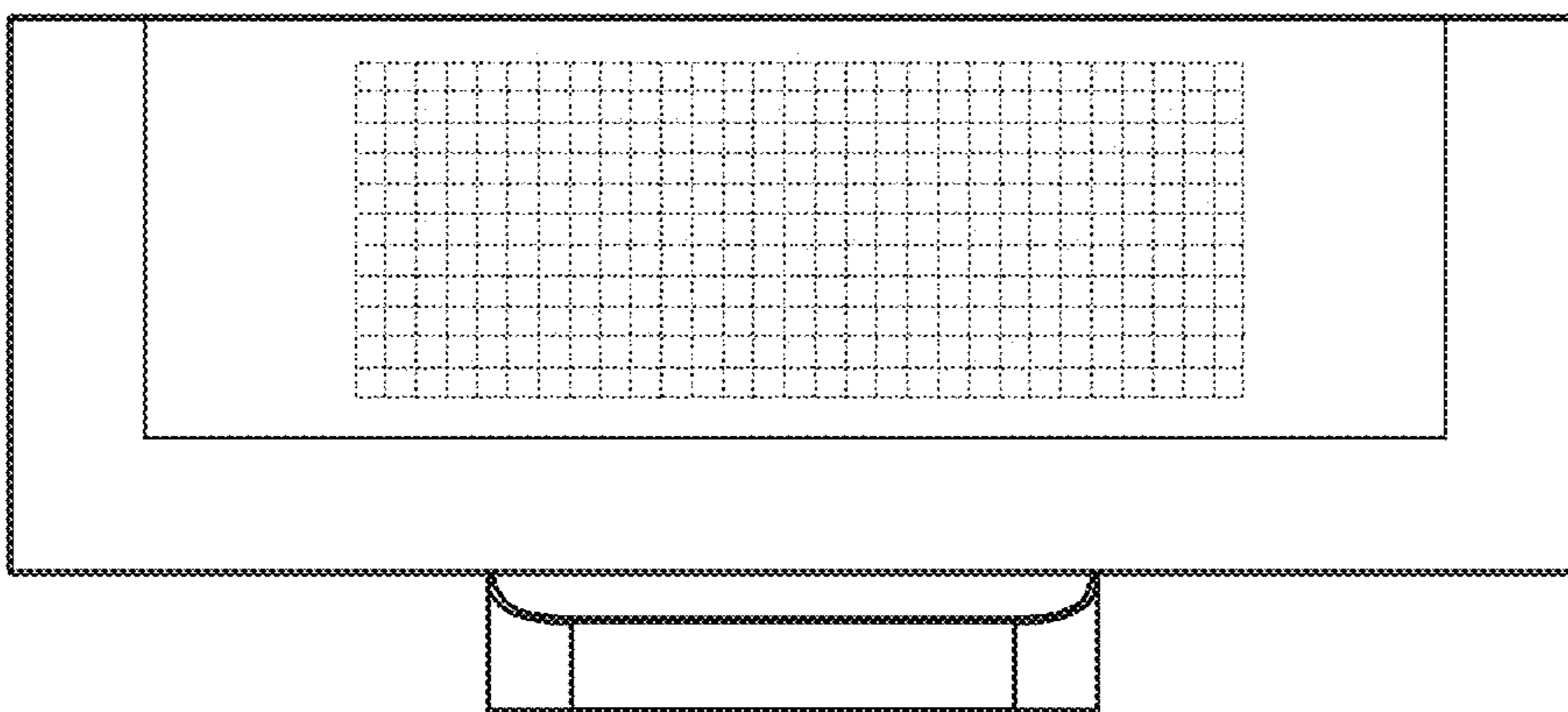


FIG. 6