



US00D925076S

(12) **United States Design Patent**
Zhao et al.

(10) **Patent No.:** **US D925,076 S**
(45) **Date of Patent:** **** Jul. 13, 2021**

(54) **FLOATING LIGHT**

(71) Applicant: **Westbay LLC**, Gilbert, AZ (US)

(72) Inventors: **Jun Zhao**, Shanghai (CN); **Jianwen Bao**, Shanghai (CN); **Chuanxiang Zhang**, Shanghai (CN)

(73) Assignee: **Westbay LLC**, Gilbert, AZ (US)

(**) Term: **15 Years**

(21) Appl. No.: **29/725,741**

(22) Filed: **Feb. 26, 2020**

(51) **LOC (13) Cl.** **26-03**

(52) **U.S. Cl.**
USPC **D26/24**

(58) **Field of Classification Search**
USPC D26/24, 28, 37, 40, 60, 72, 104, 110,
D26/113; D10/104.1, 106.1, 114.1
CPC F21S 8/02; F21S 8/03; F21S 8/04; F21S
8/06; F21S 8/08; F21S 8/033; F21S
8/036; F21S 8/061; F21W 2131/301;
F21W 2131/308; F21W 2131/401; F21W
2131/409; F21V 21/02; F21V 21/08;
F21V 21/30; F21V 21/0808; F21V
21/096; F21V 21/0965; F21V 14/025;
F21V 14/045

See application file for complete search history.

(56) **References Cited**

U.S. PATENT DOCUMENTS

D101,930 S *	11/1936	Barrett	D26/113
D371,857 S *	7/1996	Gismondi	D26/37
D535,740 S *	1/2007	Brown	D26/24
D544,618 S *	6/2007	Coushaine	D26/37
D561,372 S *	2/2008	Yan	D26/72
D561,373 S *	2/2008	Yan	D26/72
D561,924 S *	2/2008	Yiu	D26/72
D561,925 S *	2/2008	Levine	D26/72

D585,580 S *	1/2009	Riffel	D26/72
D603,537 S *	11/2009	Rowehl	D26/36
D607,600 S *	1/2010	Keith	D26/85
D633,231 S *	2/2011	Morrison	D26/24
D642,722 S *	8/2011	Oberpriller	D26/67
D647,227 S *	10/2011	Kaule	D26/24
D678,100 S *	3/2013	Hwang	D10/114.1
D682,451 S *	5/2013	Hardy	D26/60
D694,463 S *	11/2013	Sieczkowski	D26/124
D701,333 S *	3/2014	Wen	D26/24
D736,449 S *	8/2015	Getty	D26/110
D742,041 S *	10/2015	Garcia	D26/24
D771,860 S *	11/2016	Weiss	D26/110
D777,367 S *	1/2017	Ma	D26/104
D790,094 S *	6/2017	Ko	D26/28
D791,374 S *	7/2017	Liang	D26/24
D803,410 S *	11/2017	Im	D24/187
D840,070 S *	2/2019	Cramer	D26/37
D865,231 S *	10/2019	Tang	D26/24
D866,815 S *	11/2019	Wang	D26/24

(Continued)

Primary Examiner — Wan Laymon

Assistant Examiner — Clint A Samuel

(74) *Attorney, Agent, or Firm* — Booth Udall Fuller,
PLC; Kenneth C. Booth

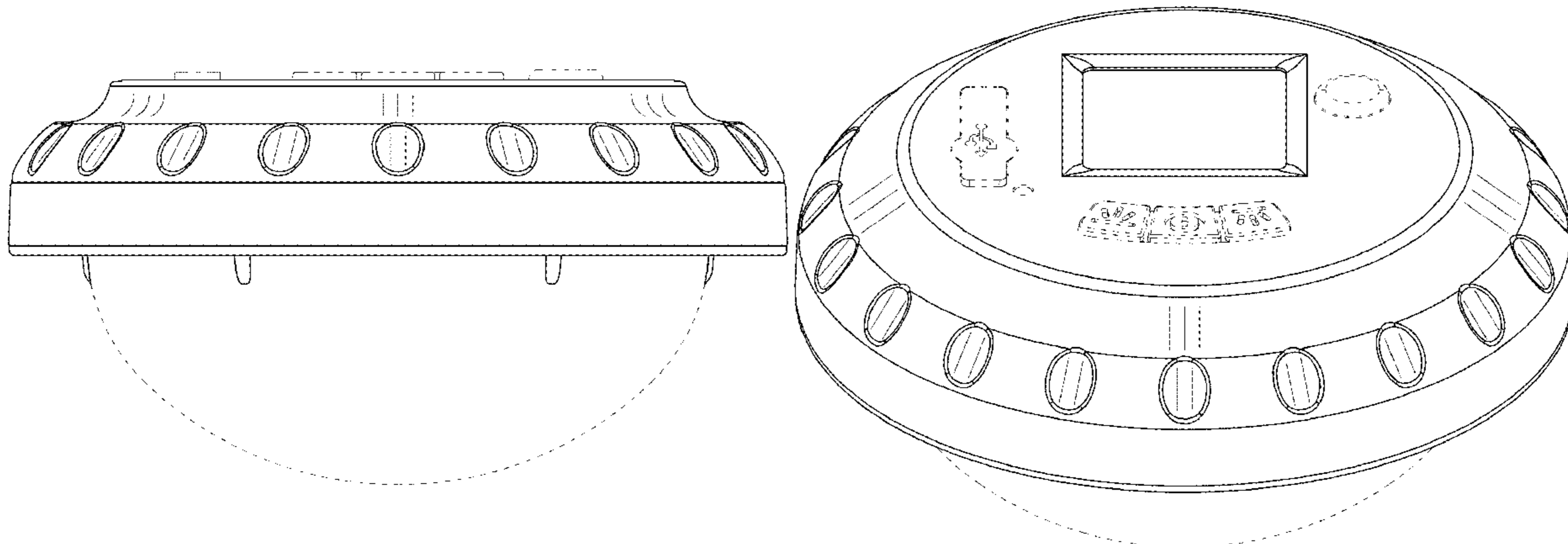
(57) **CLAIM**

We claim the ornamental design for a floating light, as shown and described.

DESCRIPTION

FIG. 1 is a front view for a floating light;
FIG. 2 is a left side view thereof;
FIG. 3 is a right side view thereof;
FIG. 4 is a top view thereof;
FIG. 5 is a bottom view thereof;
FIG. 6 is a back view thereof; and,
FIG. 7 is a front perspective view thereof.
The broken lines in the figures are for the purpose of illustrating portions of the article which form no part of the claimed design.

1 Claim, 7 Drawing Sheets



(56)

References Cited

U.S. PATENT DOCUMENTS

D870,325 S * 12/2019 Zheng D26/24
D878,639 S * 3/2020 Luo D26/24
D886,335 S * 6/2020 Zhu D26/24
10,718,507 B2 * 7/2020 Potucek F21V 31/005
D895,175 S * 9/2020 Li D26/24
D898,958 S * 10/2020 Xiao D26/24
D900,354 S * 10/2020 Xu D26/24
D911,560 S * 2/2021 Hu D26/24
D911,596 S * 2/2021 Ormsbee D26/118
2008/0310144 A1 * 12/2008 Wu F21V 21/0925
362/105
2009/0067165 A1 * 3/2009 Sanoner F21V 21/096
362/191
2017/0184260 A1 * 6/2017 Munoz Abogabir
F21V 21/0816
2018/0087741 A1 * 3/2018 McFadyen F21V 17/164
2018/0238533 A1 * 8/2018 Dyck F21V 31/005
2020/0173637 A1 * 6/2020 Ormsbee F21V 23/02

* cited by examiner

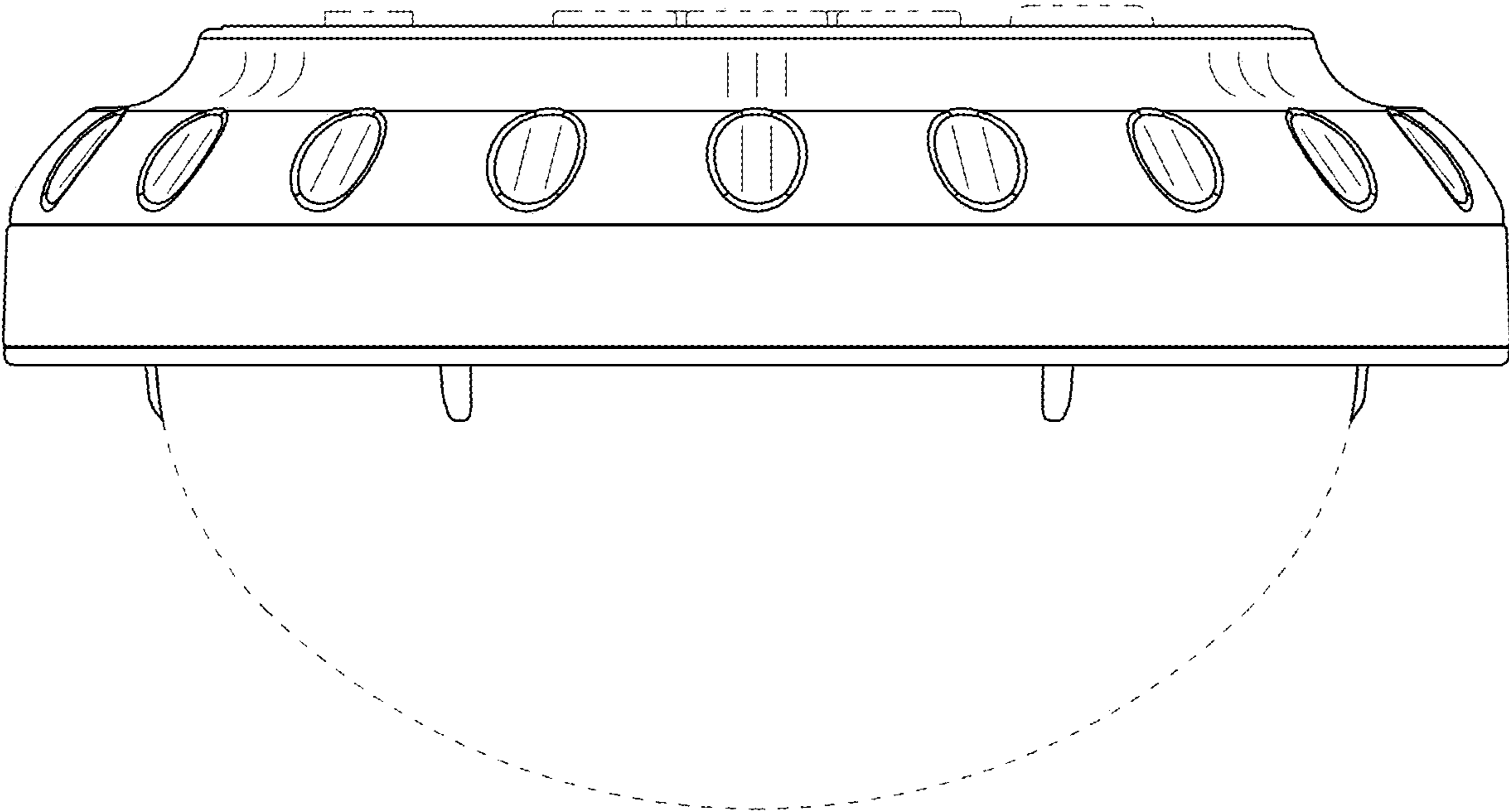


FIG. 1

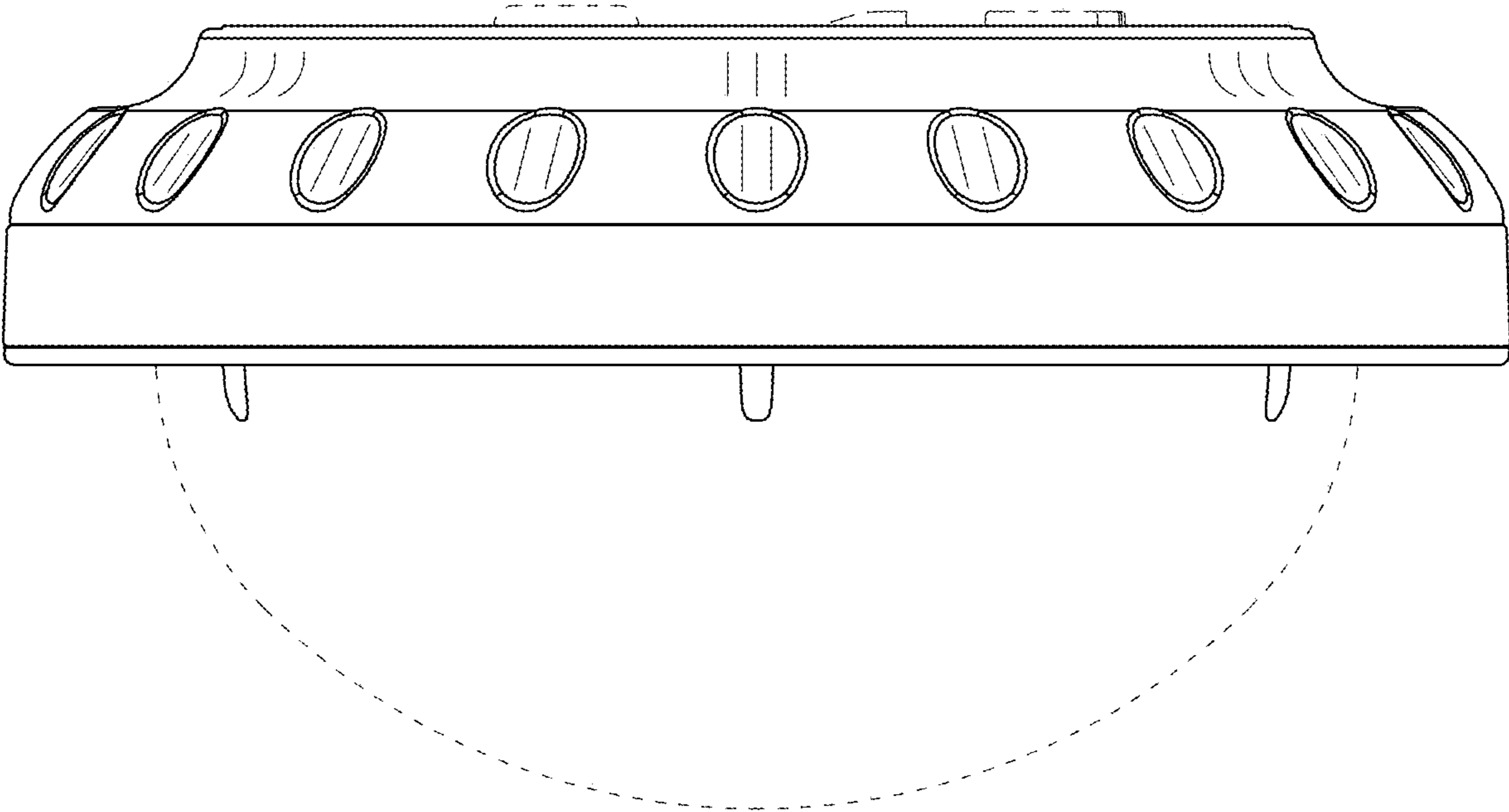


FIG. 2

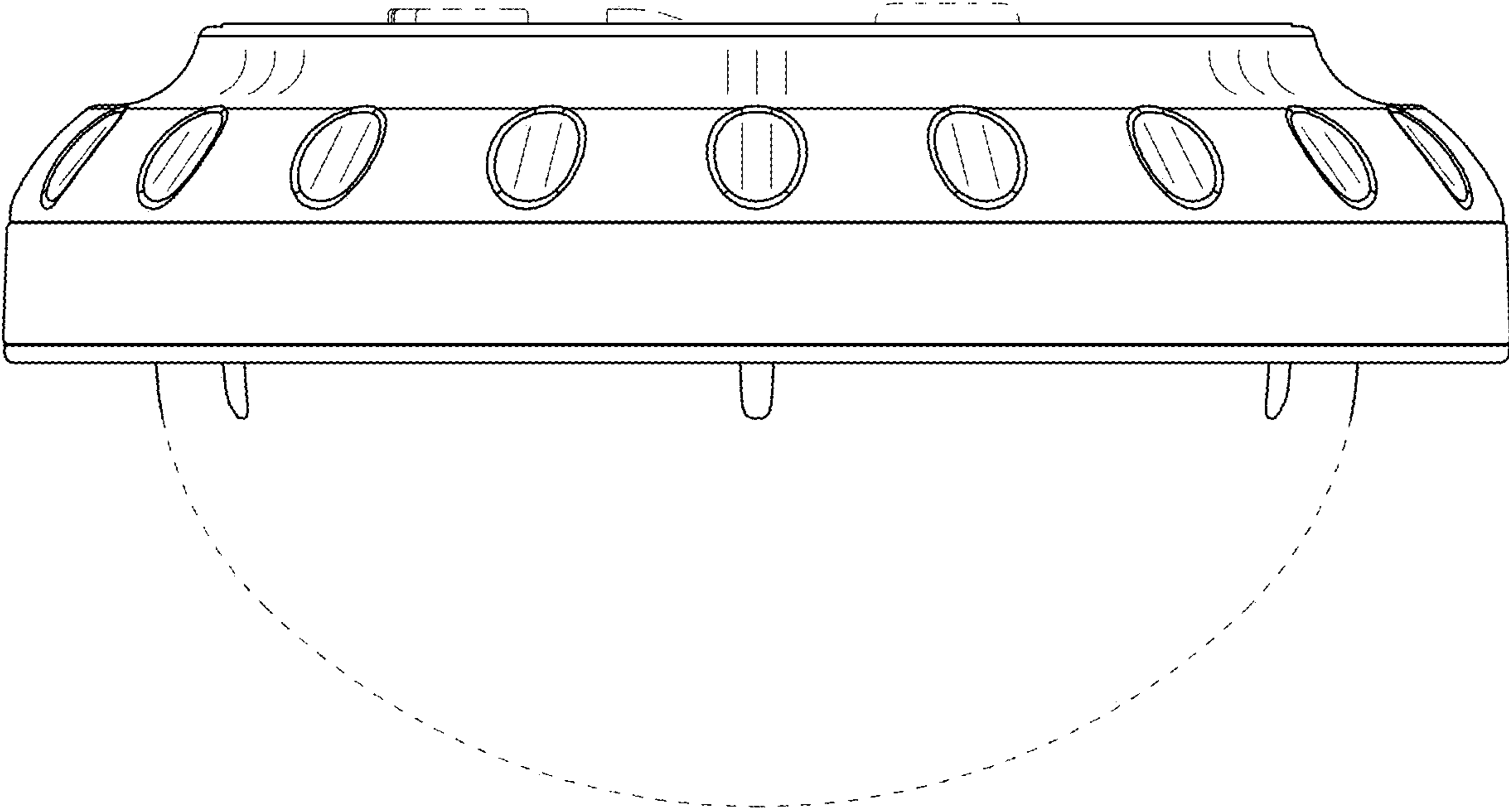


FIG. 3

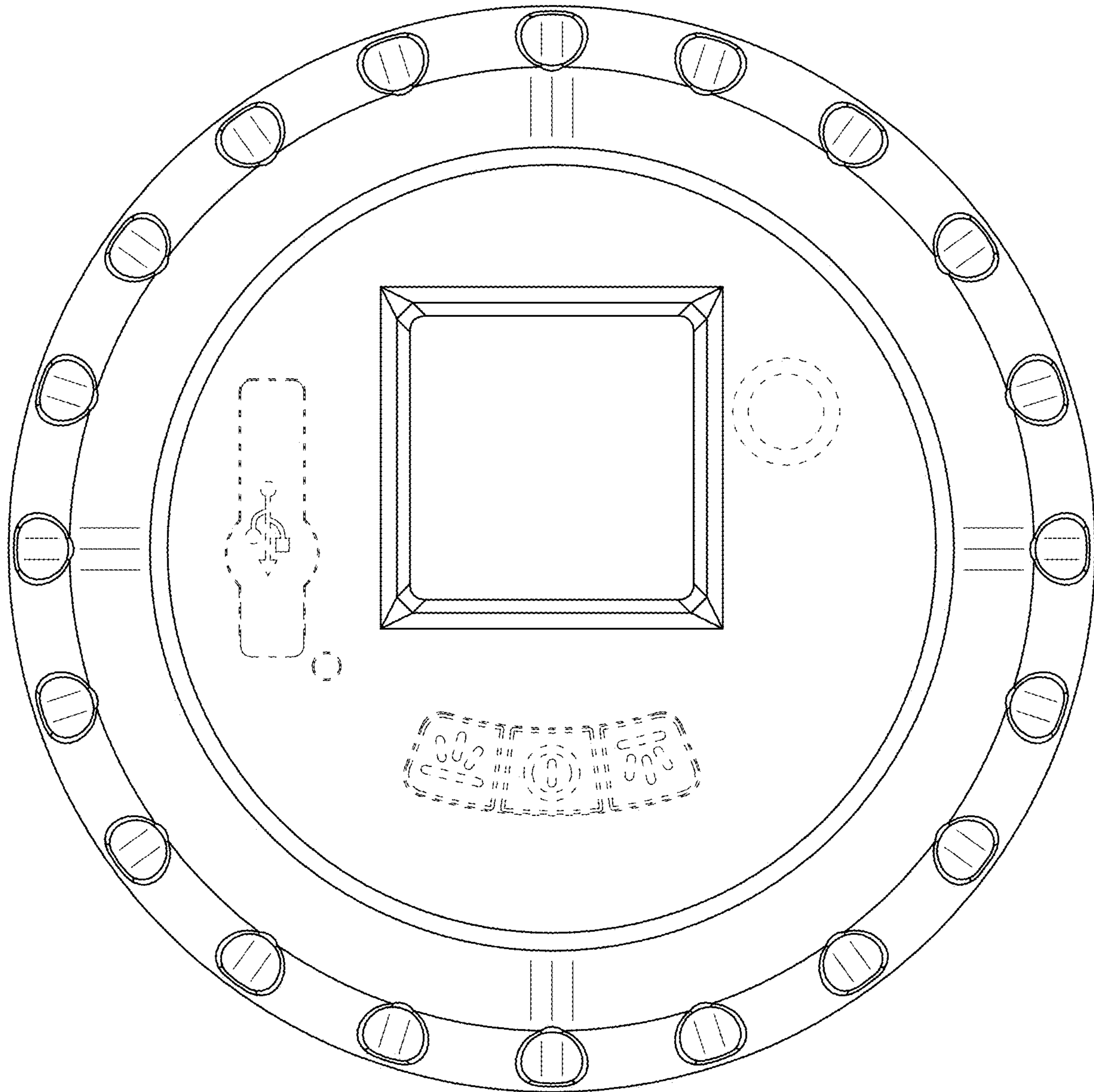


FIG. 4

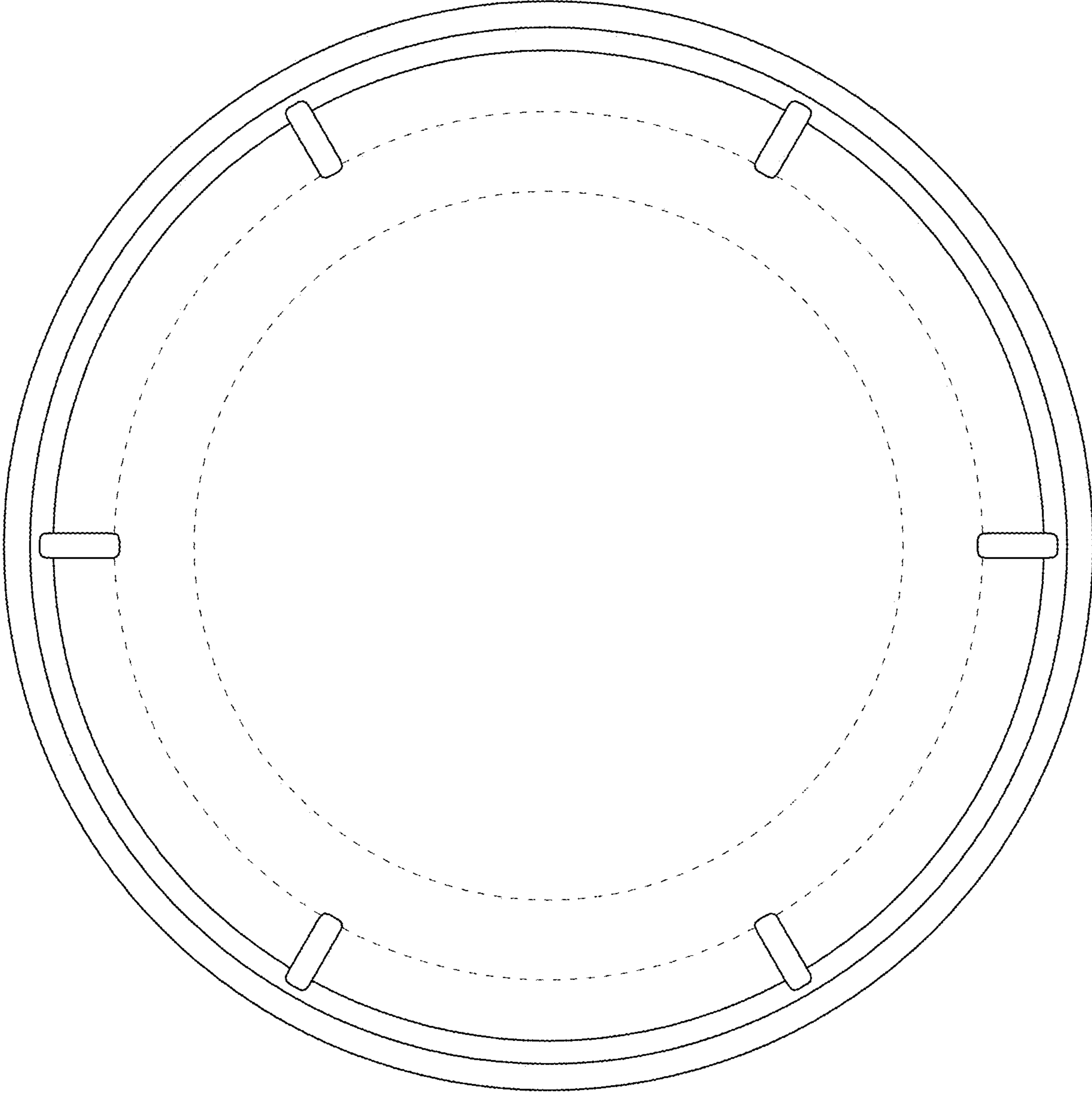


FIG. 5

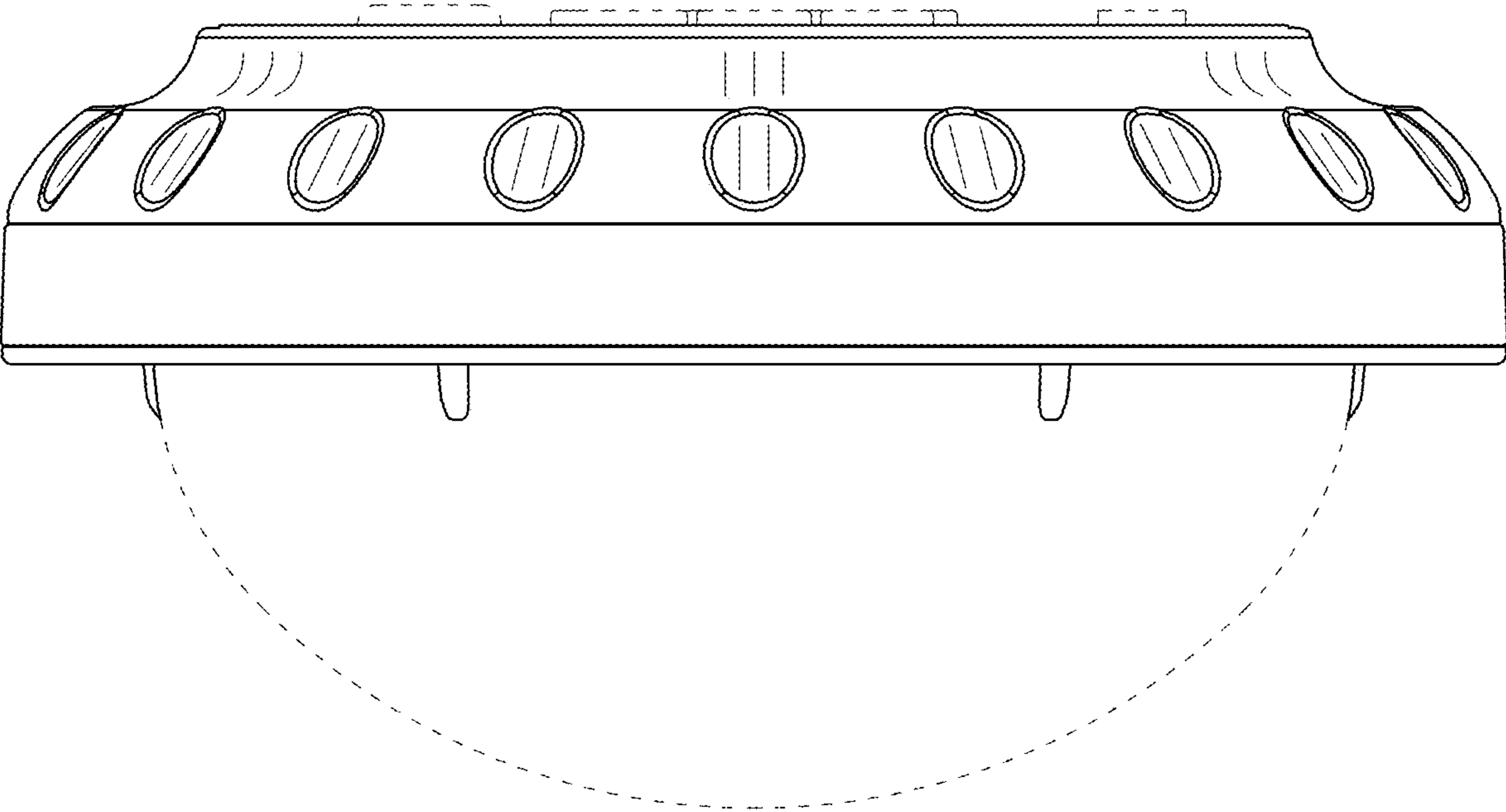


FIG. 6

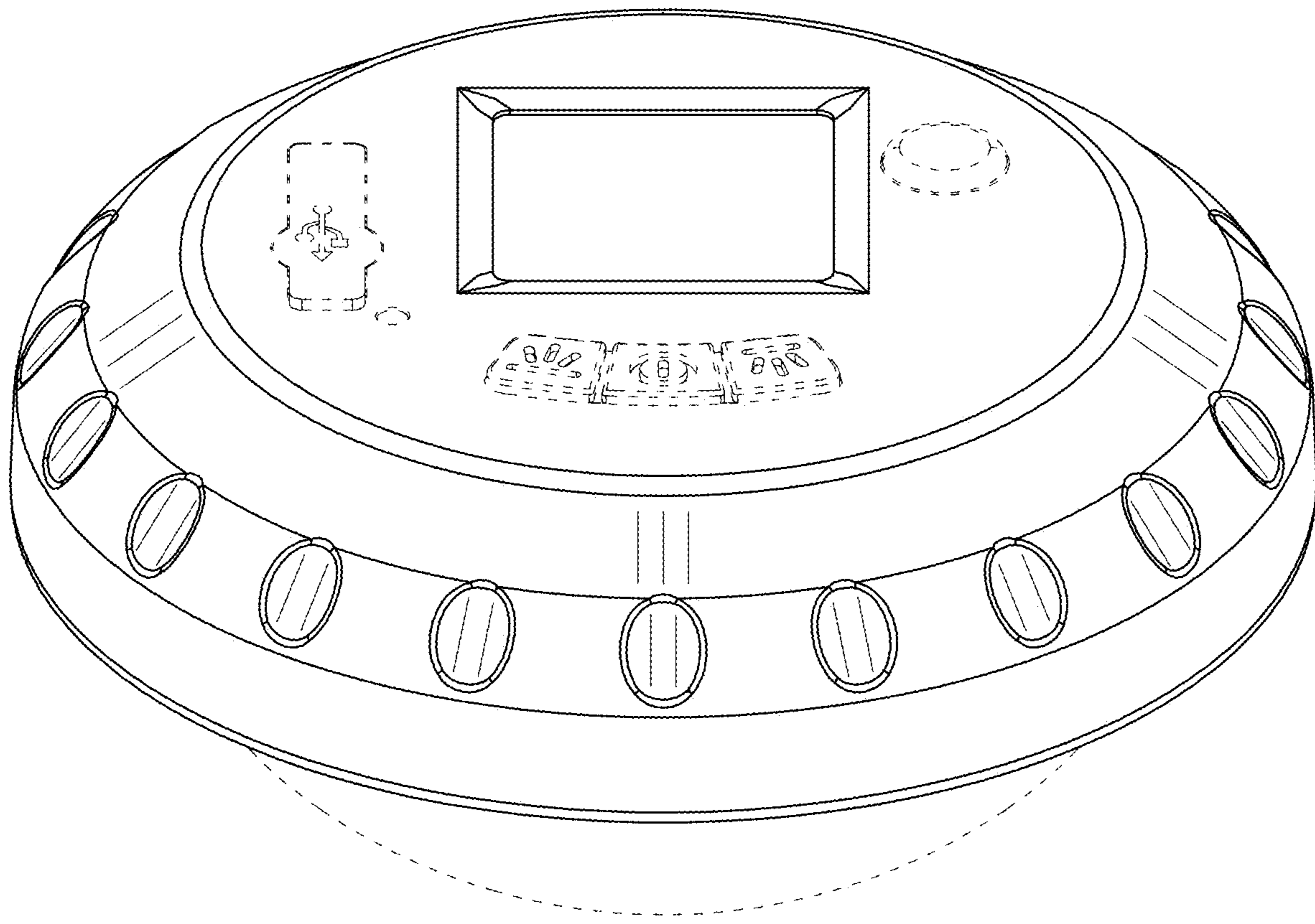


FIG. 7