



US00D925070S

(12) **United States Design Patent** (10) **Patent No.:** **US D925,070 S**  
**Lette** (45) **Date of Patent:** **\*\* Jul. 13, 2021**

(54) **STEEL FACADE PANEL**  
(71) Applicant: **BLUESCOPE STEEL LIMITED,**  
Melbourne (AU)  
(72) Inventor: **Michael Lette,** Maroubra (AU)  
(73) Assignee: **BlueScope Steel Limited,** Melbourne  
(AU)  
(\*\*) Term: **15 Years**  
(21) Appl. No.: **29/766,086**  
(22) Filed: **Jan. 13, 2021**  
**Related U.S. Application Data**  
(62) Division of application No. 29/666,128, filed on Oct.  
10, 2018, now Pat. No. Des. 910,878.

(30) **Foreign Application Priority Data**  
Apr. 12, 2018 (AU) ..... 201812141  
Apr. 12, 2018 (AU) ..... 201812142  
(51) **LOC (13) Cl.** ..... **25-01**  
(52) **U.S. Cl.**  
USPC ..... **D25/138**  
(58) **Field of Classification Search**  
USPC ..... D25/138  
CPC ..... E04C 2/00; E04C 2/02; E04C 2/30; E04C  
2/384; E04C 2/38; E04C 2/08; E04C  
2002/004; E04C 2002/001  
See application file for complete search history.

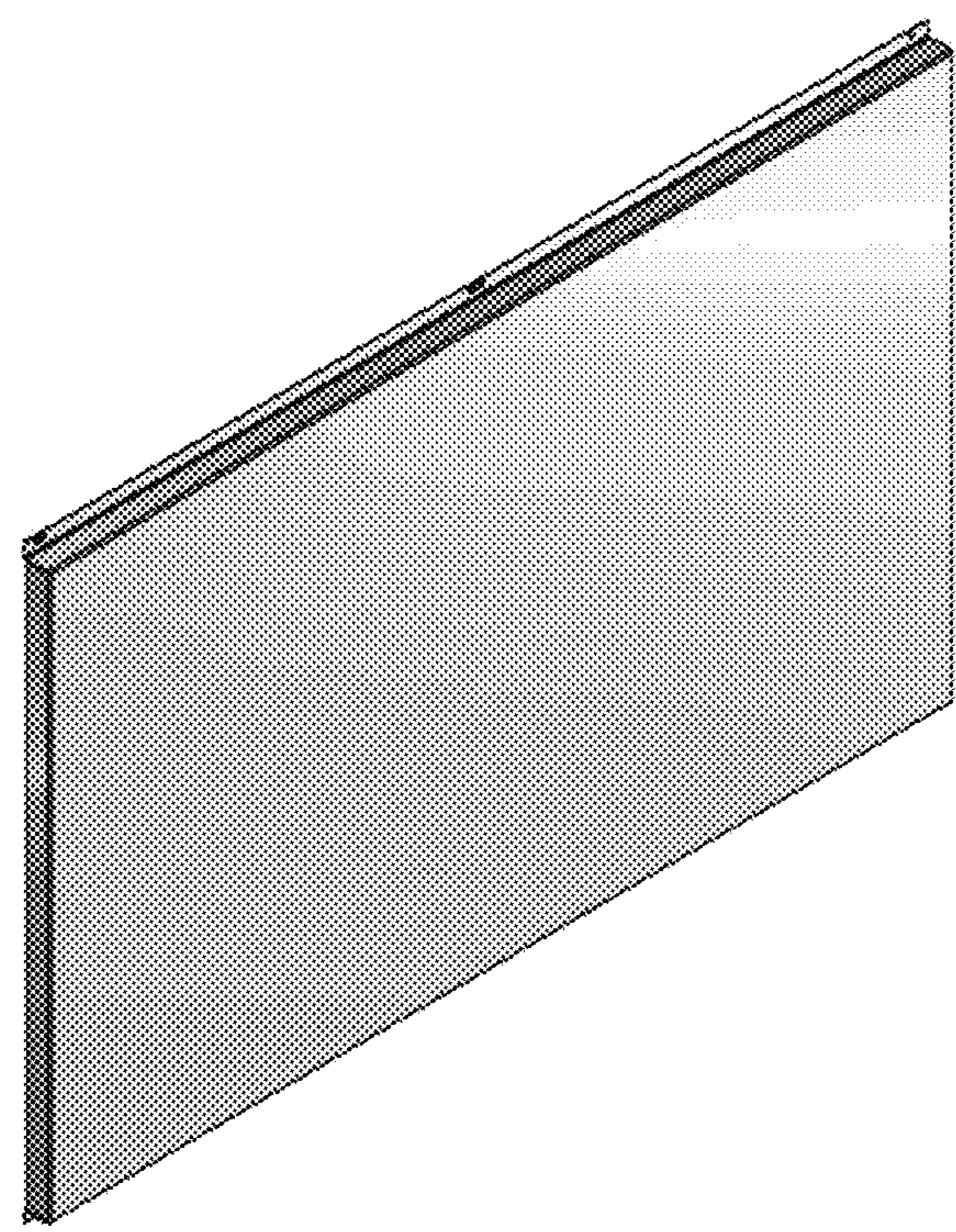
(56) **References Cited**  
**U.S. PATENT DOCUMENTS**  
2,180,830 A 11/1939 Le Tourneau  
8,833,023 B2 9/2014 Masure et al.

D722,395 S \* 2/2015 Britton ..... D25/138  
8,973,337 B2 3/2015 Hires et al.  
9,156,233 B2 10/2015 Dossche et al.  
9,957,714 B2 5/2018 Carolan et al.  
\* cited by examiner  
*Primary Examiner* — Doris Clark  
(74) *Attorney, Agent, or Firm* — Michael Best &  
Friedrich LLP

(57) **CLAIM**  
I claim the ornamental design for a steel facade panel, as  
shown and described.

**DESCRIPTION**  
FIG. 1 is a front perspective view of a steel facade panel  
showing my new design.  
FIG. 2 is a rear perspective view of the steel facade panel.  
FIG. 3 is a front view of the steel facade panel.  
FIG. 4 is a rear view of the steel facade panel.  
FIG. 5 is a top view of the steel facade panel.  
FIG. 6 is a bottom view of the steel facade panel.  
FIG. 7 is a side view of the steel facade panel, the opposite  
side view being a mirror image thereof.  
FIG. 8 is an enlarged rear/side perspective view of a lower  
corner of the steel facade panel.  
FIG. 9 is an enlarged rear perspective view of the other  
lower corner of the steel facade panel.  
FIG. 10 is an enlarged rear perspective view of an upper  
corner of the steel facade panel; and,  
FIG. 11 is an enlarged rear perspective view of the other  
upper corner of the steel facade panel.

**1 Claim, 11 Drawing Sheets**



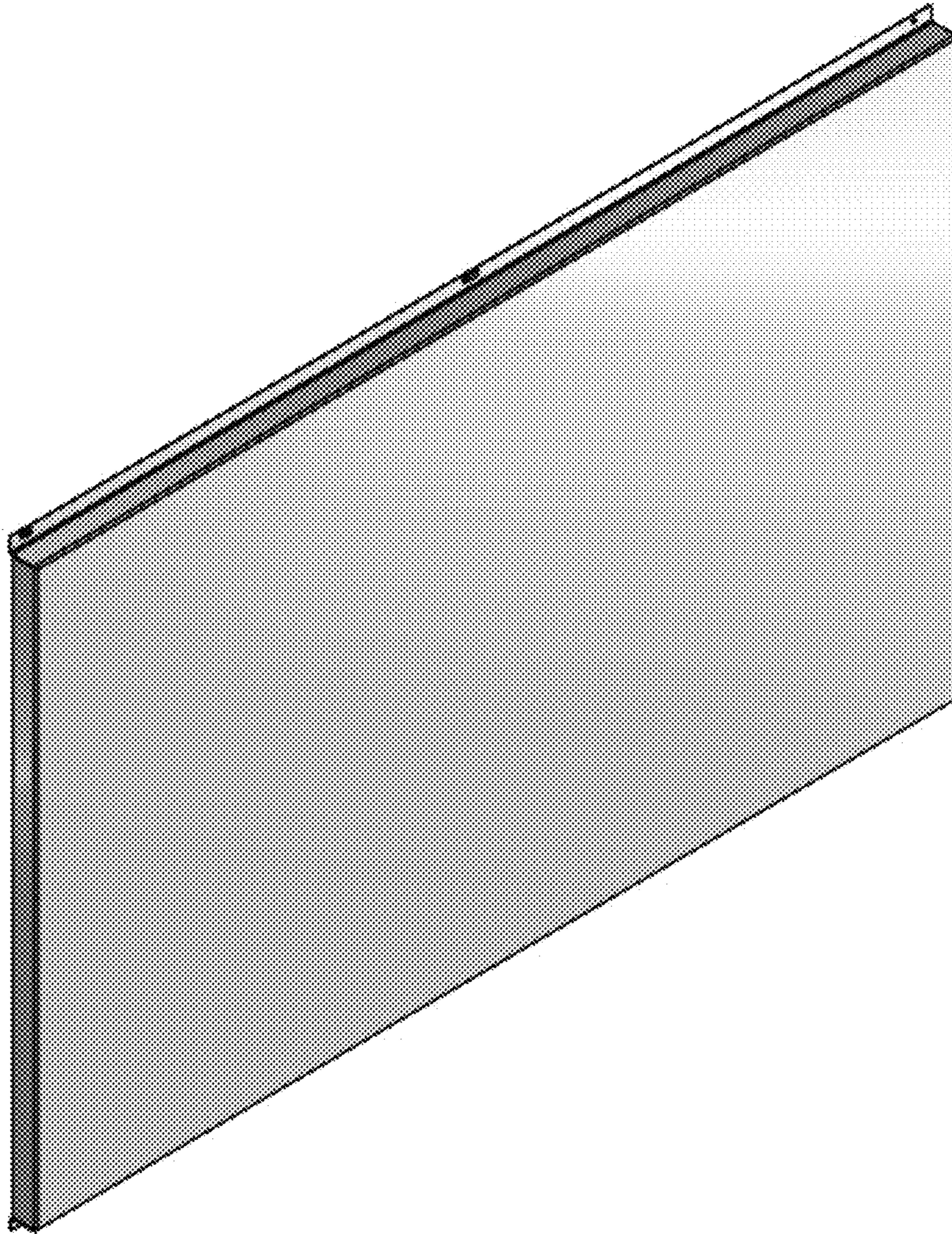


FIG. 1

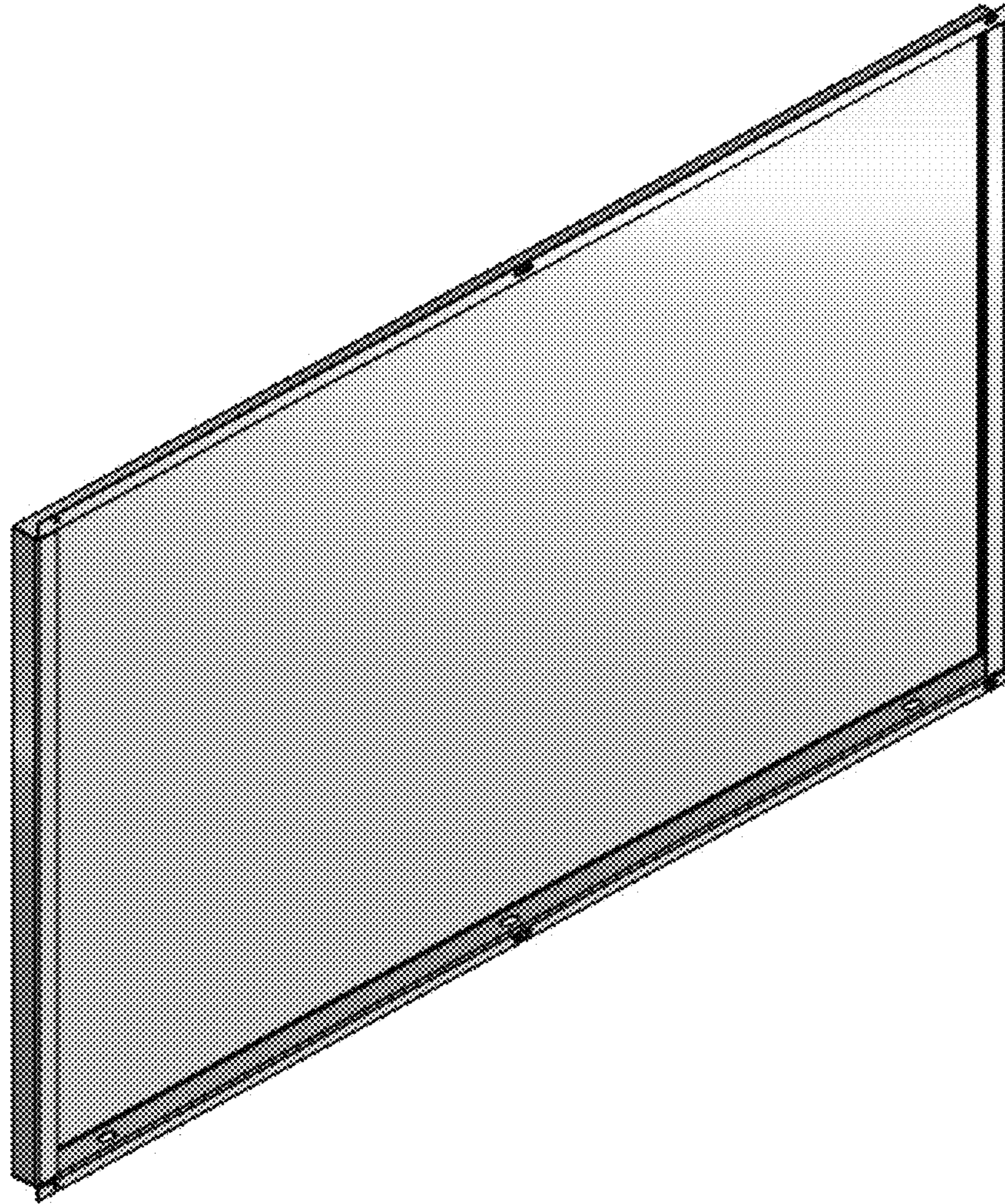


FIG. 2



FIG. 3

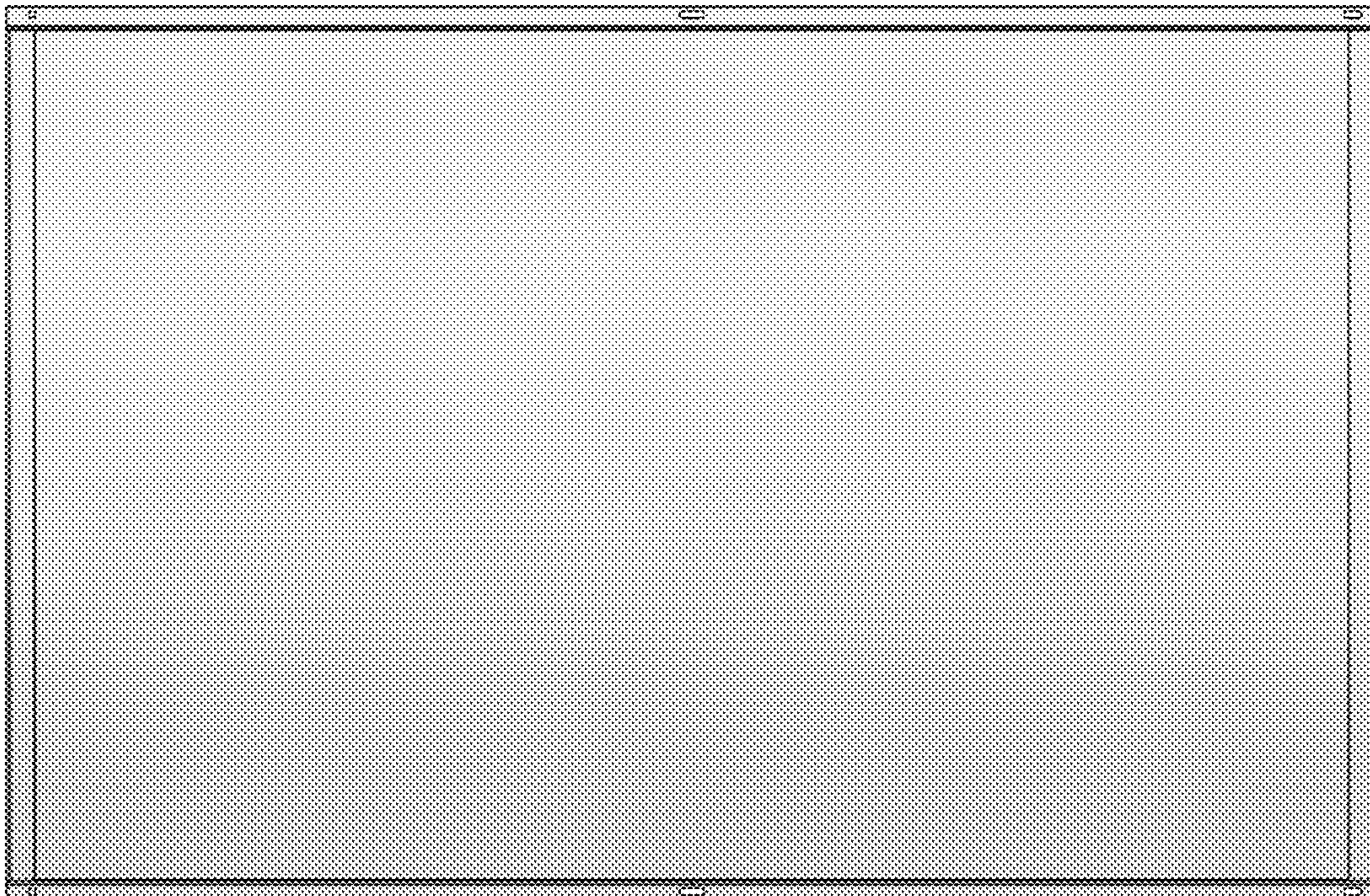
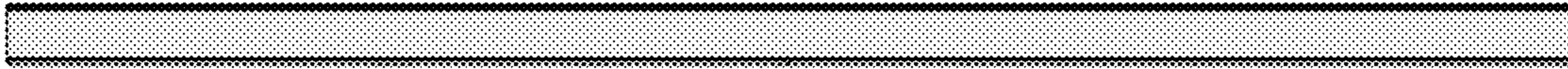


FIG. 4



**FIG. 5**



FIG. 6

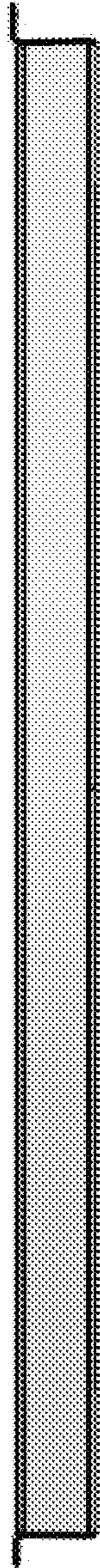


FIG. 7



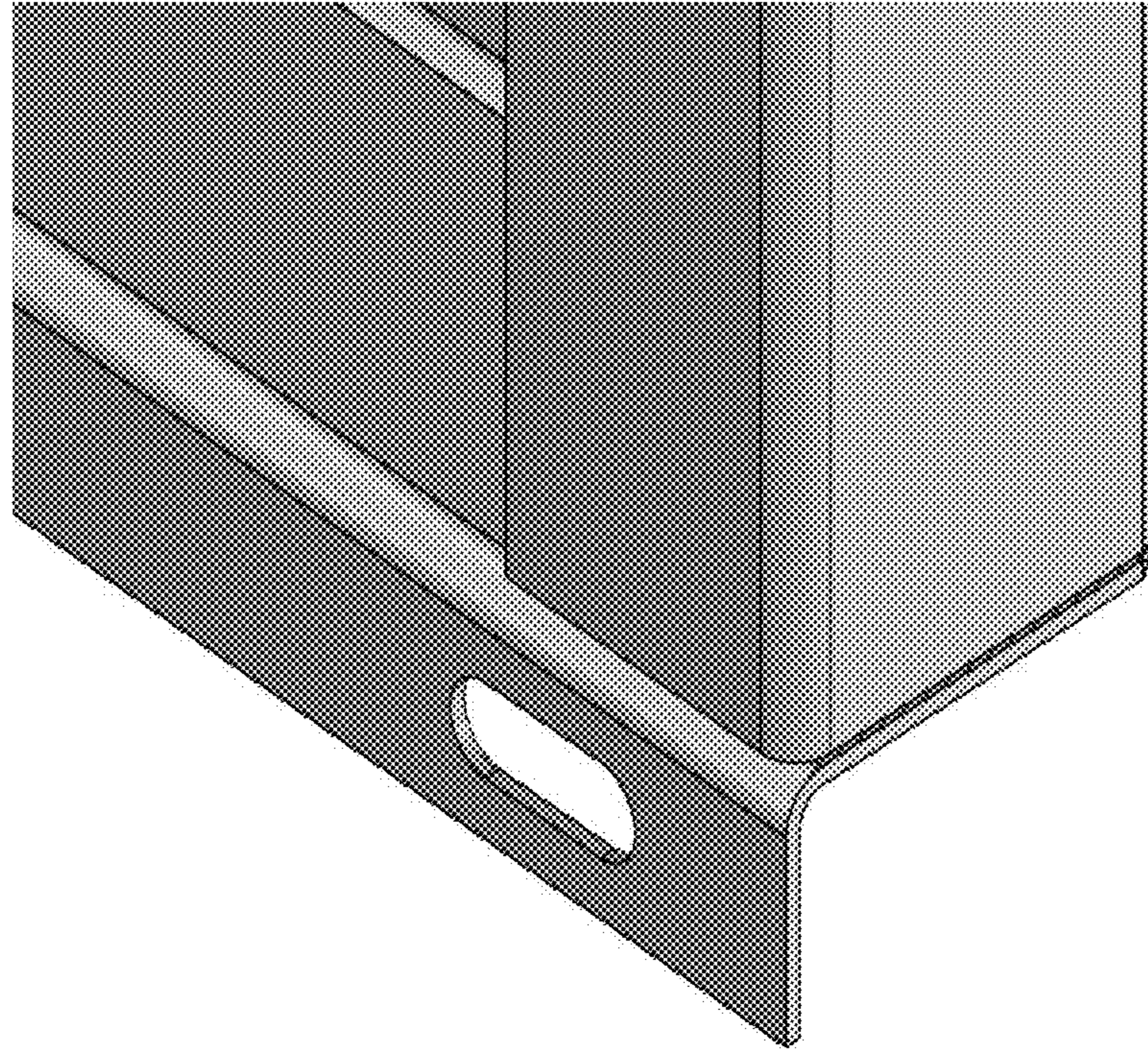


FIG. 8

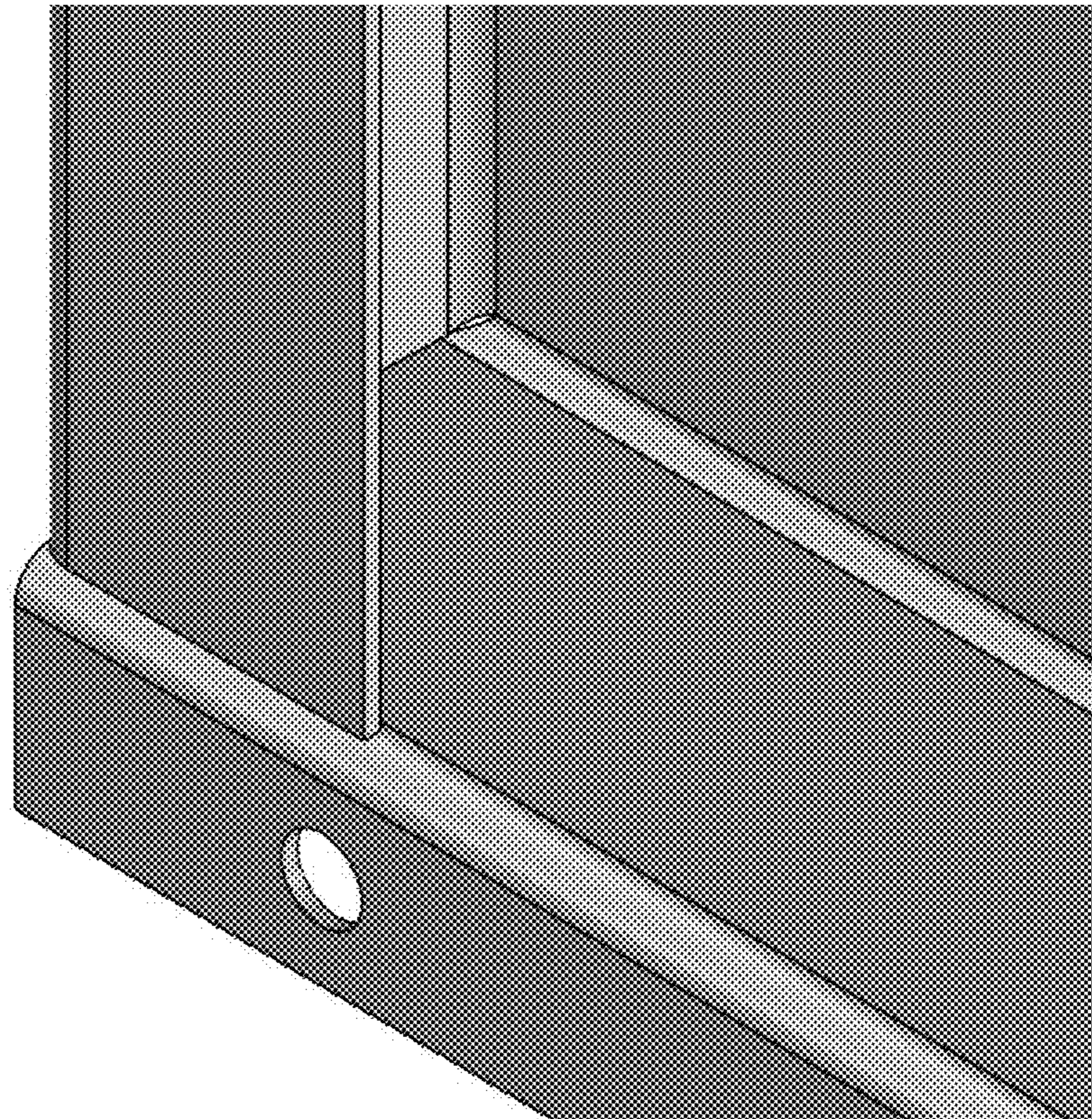


FIG. 9

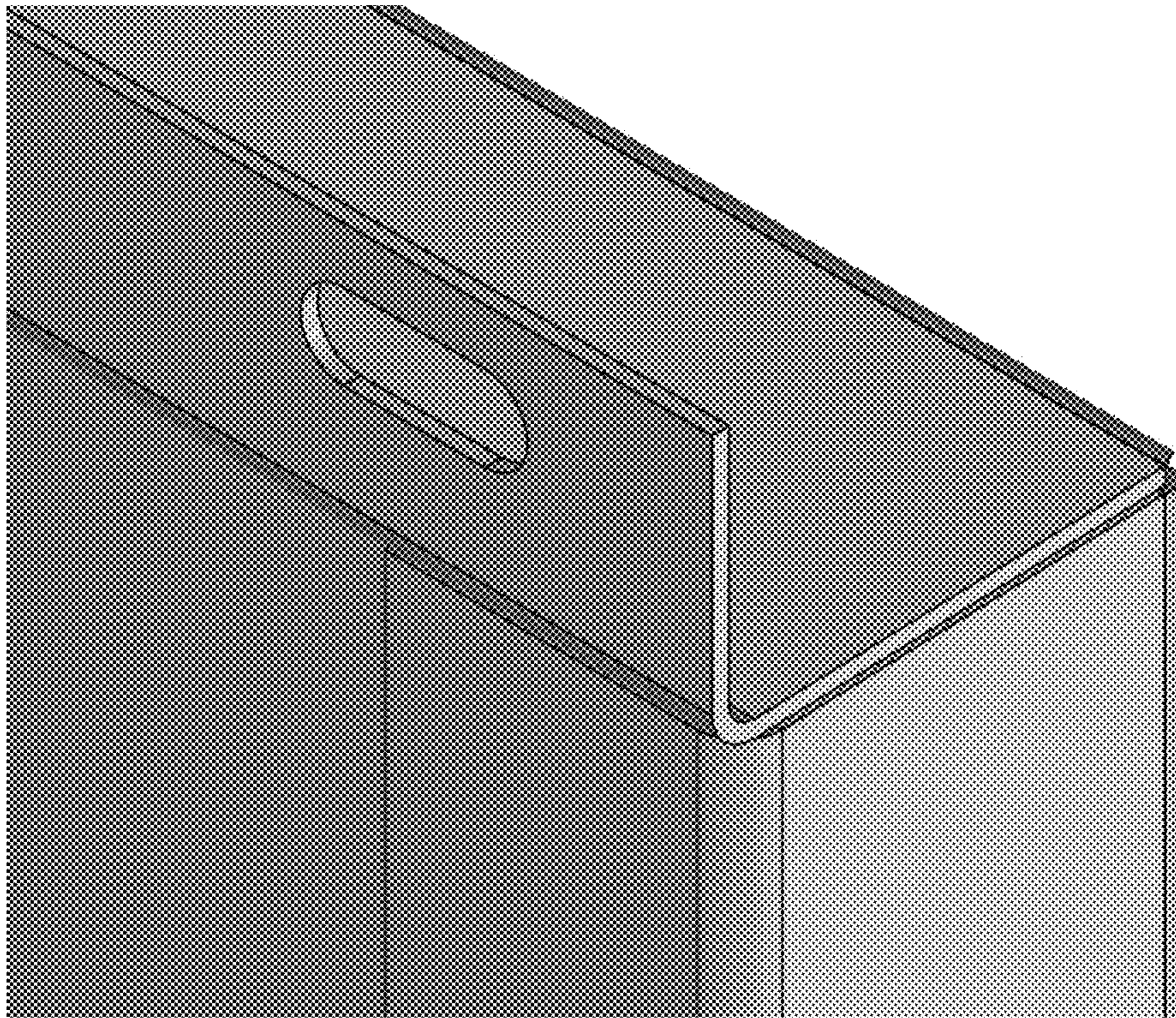


FIG.10

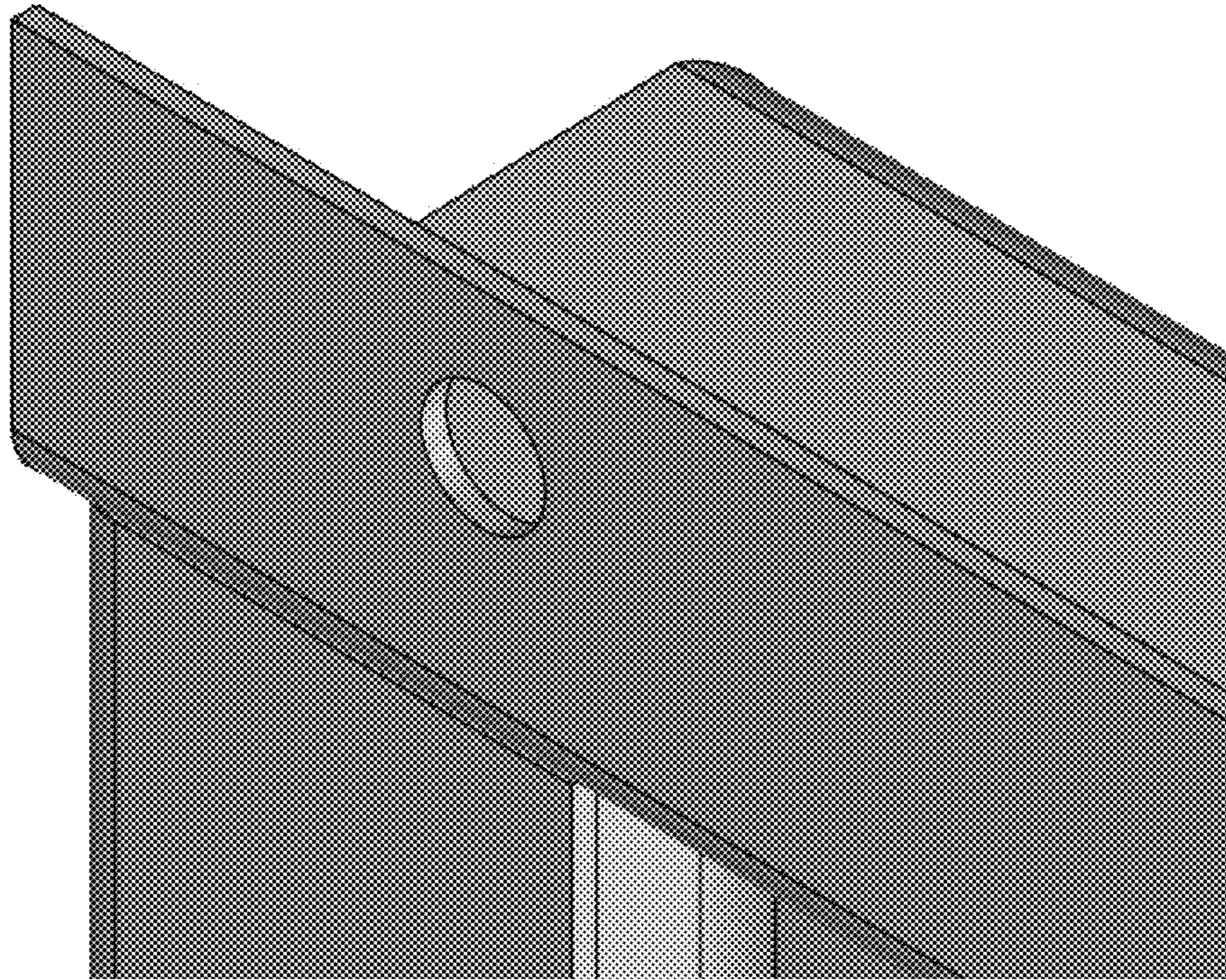


FIG. 11