



US00D925069S

(12) **United States Design Patent**
Wendt

(10) **Patent No.:** **US D925,069 S**
(45) **Date of Patent:** **** Jul. 13, 2021**

- (54) **COMBINED CYLINDRICAL PILE, SHEET PILE AND CONNECTING ELEMENT**
- (71) Applicant: **Sheet Piling LLC**, Austin, TX (US)
- (72) Inventor: **Roberto Redondo Wendt**, Austin, TX (US)
- (73) Assignee: **Sheet Pile LLC**, Holderness, NH (US)
- (**) Term: **15 Years**
- (21) Appl. No.: **29/723,298**
- (22) Filed: **Feb. 5, 2020**
- (51) **LOC (13) Cl.** **25-01**
- (52) **U.S. Cl.**
USPC **D25/119; D8/382**
- (58) **Field of Classification Search**
USPC D8/382, 394, 395; D25/119
CPC E02D 5/02; E02D 5/12; E02D 5/28; E02D 5/08; E02D 5/285; E02D 5/16; E02D 5/80; E02D 5/06; E02D 17/207; E02D 2300/002; E02D 2300/0029; E02D 29/02; E02B 3/06; E02B 3/04; Y10T 403/73
See application file for complete search history.

(56) **References Cited**

U.S. PATENT DOCUMENTS

- 1,968,241 A * 7/1934 Becker E02D 5/06
405/280
- 5,145,287 A * 9/1992 Hooper E02B 3/066
405/262
- 5,216,863 A * 6/1993 Nessa E02D 5/08
52/439
- 5,333,971 A * 8/1994 Lewis E02D 5/28
405/274
- 5,902,074 A * 5/1999 Berkley E02D 29/02
405/274
- 6,000,883 A * 12/1999 Irvine E02D 5/02
405/274

- 6,231,271 B1 * 5/2001 Glass B66C 1/48
405/274
- 6,427,402 B1 * 8/2002 White E02D 5/08
405/241
- 6,575,667 B1 * 6/2003 Burt E02D 5/04
405/274
- D479,797 S * 9/2003 Wall D25/119
- D479,798 S * 9/2003 Wall D25/119
- D479,983 S * 9/2003 Wall D25/119
- D573,266 S * 7/2008 Chefren D25/119
- D621,253 S * 8/2010 Heindl D8/382
- D823,099 S * 7/2018 Wuensch D8/382
- D823,483 S * 7/2018 Wuensch D25/119

(Continued)

Primary Examiner — Sandra Snapp
Assistant Examiner — Ieisha N Price

(74) *Attorney, Agent, or Firm* — Kowert, Hood, Munyon, Rankin & Goetzl, P.C.

(57) **CLAIM**

The ornamental design for a combined cylindrical pile, sheet pile, and connecting element, as shown and described.

DESCRIPTION

FIG. 1 is a bottom and right side perspective view of a combined cylindrical pile, sheet pile, and connecting element.

FIG. 2 is a top side plan view thereof of the embodiment depicted in FIG. 1;

FIG. 3 is a bottom side plan view thereof of the embodiment depicted in FIG. 1;

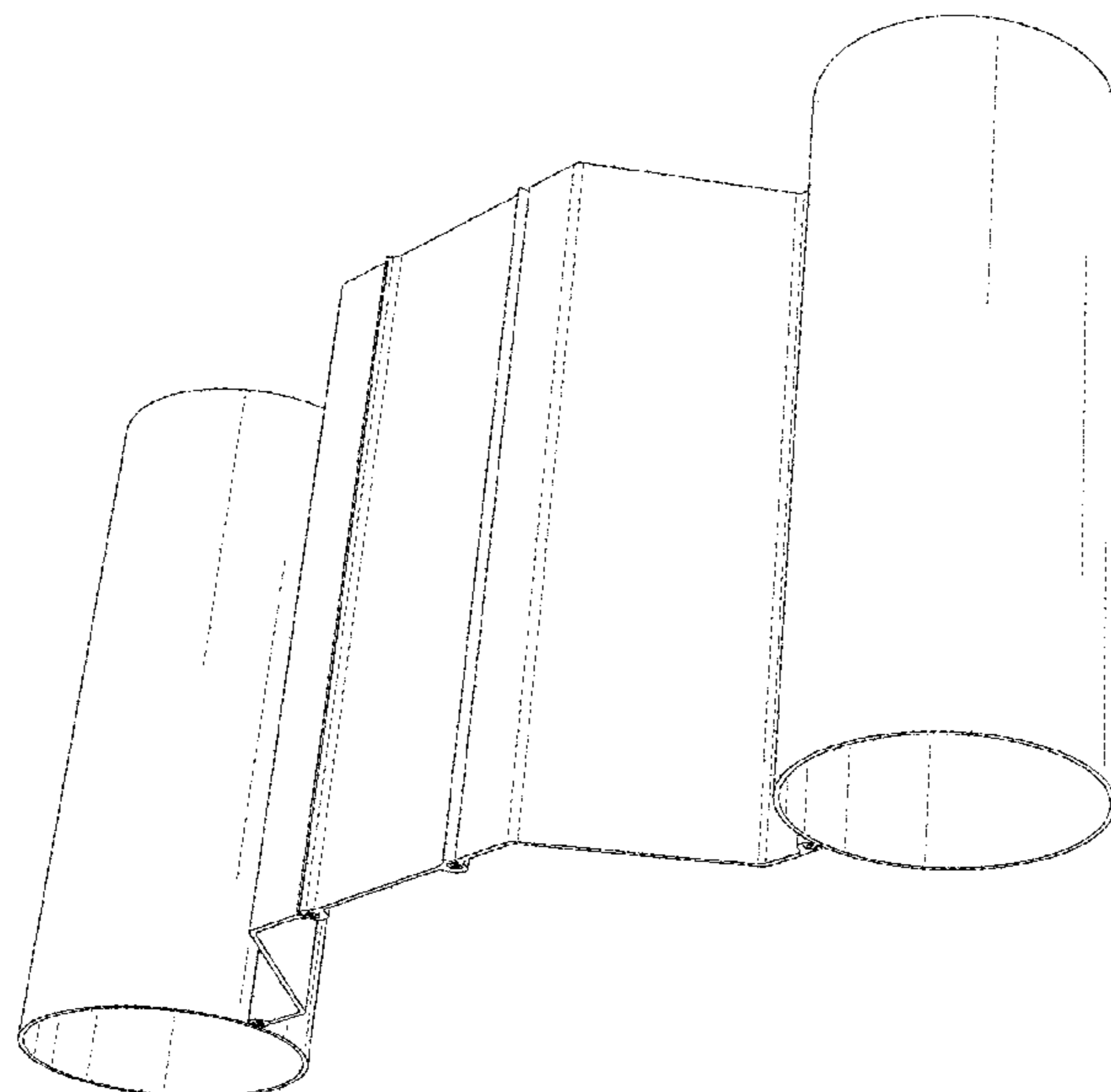
FIG. 4 is a rear elevational view thereof of the embodiment depicted in FIG. 1;

FIG. 5 is a front elevational view thereof of the embodiment depicted in FIG. 1;

FIG. 6 is a left side elevational view thereof of the embodiment depicted in FIG. 1; and,

FIG. 7 is a right side elevational view thereof of the embodiment depicted in FIG. 1.

1 Claim, 4 Drawing Sheets



(56)

References Cited

U.S. PATENT DOCUMENTS

D832,088 S * 10/2018 Heindl D8/382
D832,089 S * 10/2018 Heindl D8/382
2004/0093821 A1 * 5/2004 Taenak E02D 5/08
52/590.2
2004/0120775 A1 * 6/2004 Fomenkov E02D 5/04
405/277
2005/0076595 A1 * 4/2005 Wall E02D 5/08
52/506.01
2005/0254905 A1 * 11/2005 Nishiyama E02D 5/06
405/274
2006/0005497 A1 * 1/2006 Foell E04B 2/8629
52/589.1
2008/0175674 A1 * 7/2008 Heindl E02D 5/08
405/278
2008/0274329 A1 * 11/2008 Heindl E02D 5/06
428/99
2009/0155001 A1 * 6/2009 Kim E02D 5/02
405/251
2009/0191008 A1 * 7/2009 Heindl E02D 5/08
405/279
2009/0214301 A1 * 8/2009 Heindl E02D 5/08
405/285
2012/0177445 A1 * 7/2012 Wendt E02D 5/28
405/211.1
2014/0003870 A1 * 1/2014 Wendt E02D 5/285
405/285
2014/0270963 A1 * 9/2014 Lopez E02B 3/06
405/35
2018/0155890 A1 * 6/2018 Pietrucha B32B 17/04
2018/0305884 A1 * 10/2018 Jarvie E02D 5/03
2019/0264410 A1 * 8/2019 Goldammer E02D 5/03
2020/0123730 A1 * 4/2020 Abbondanza E02D 5/08
2021/0002842 A1 * 1/2021 Koivuranta E02D 5/04

* cited by examiner

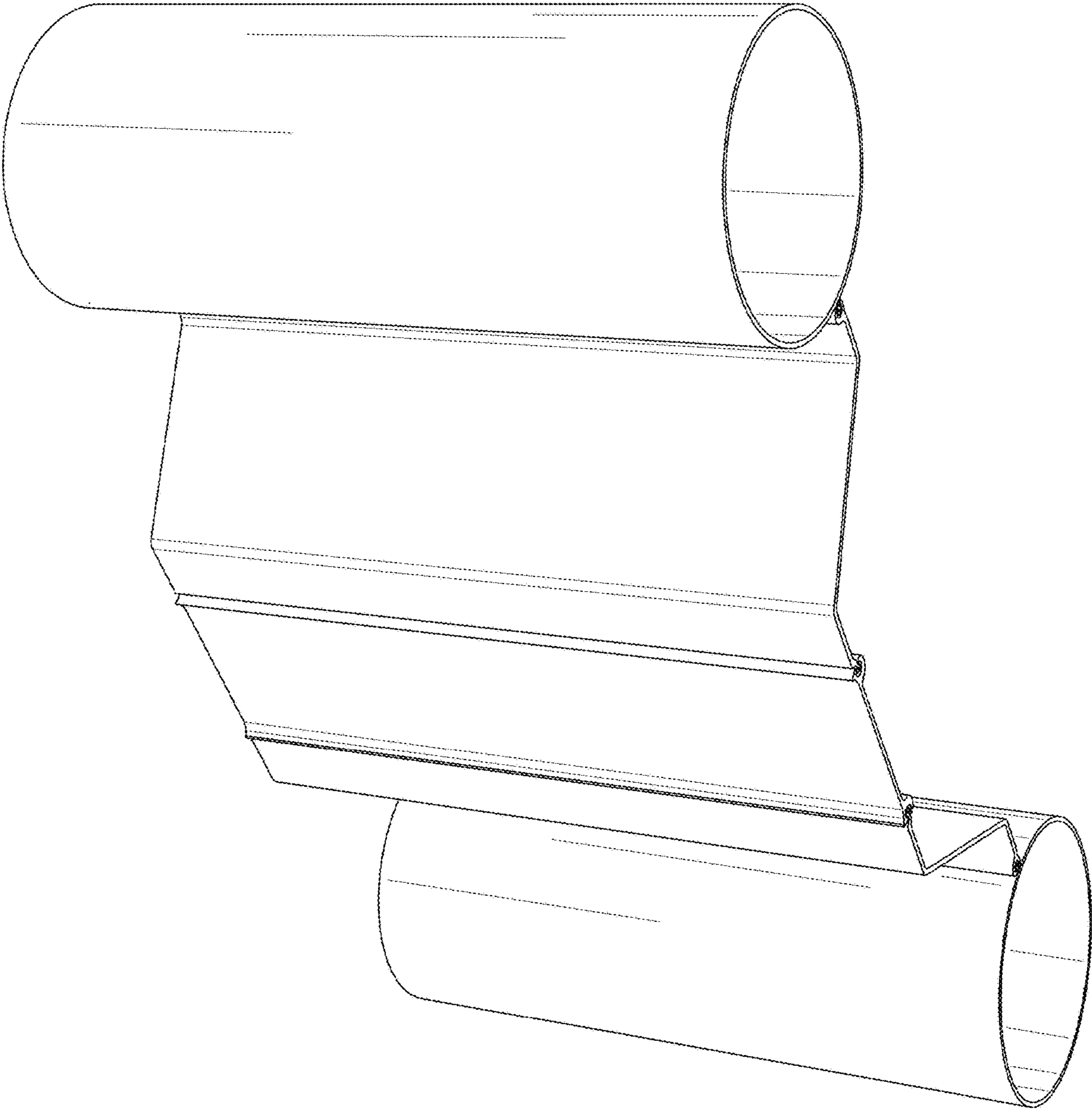


FIG. 1

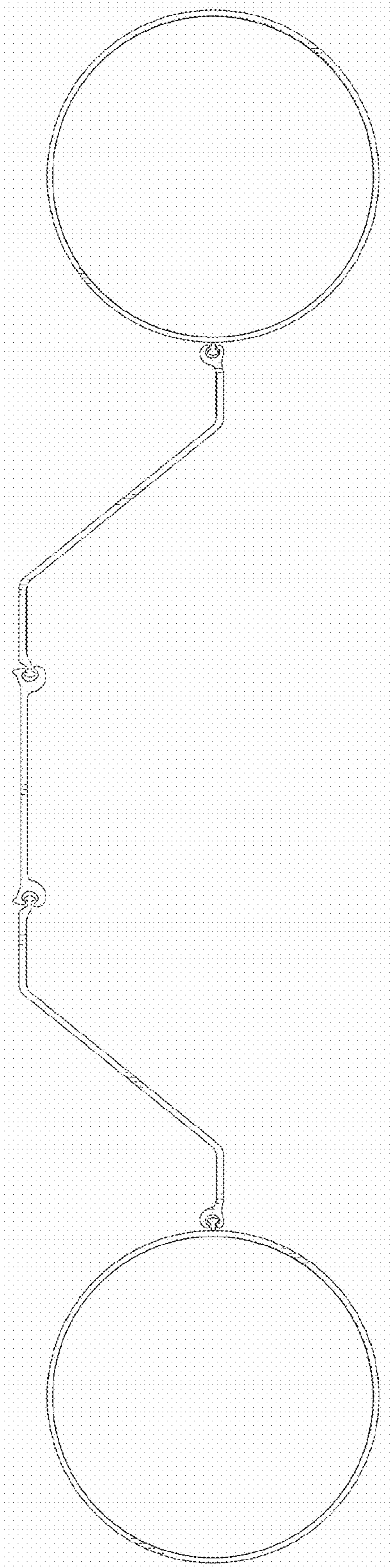


FIG. 2

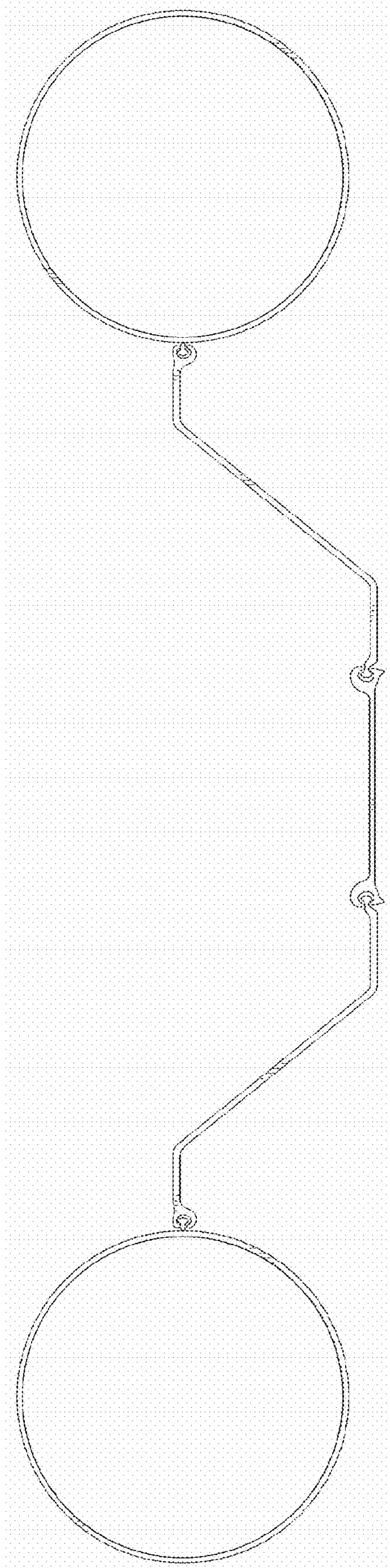


FIG. 3

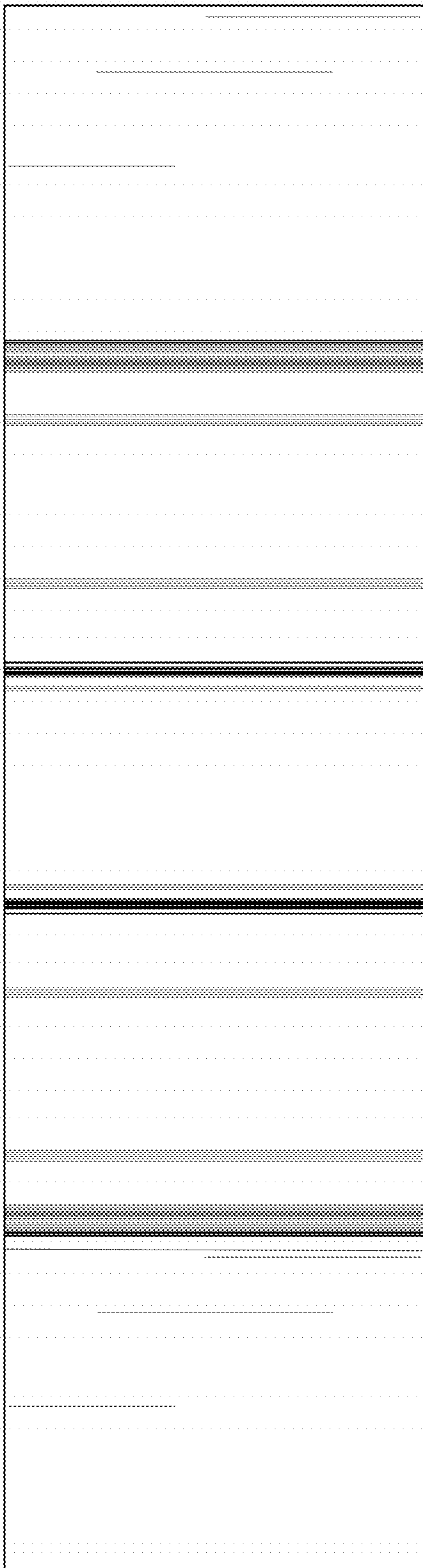


FIG. 4

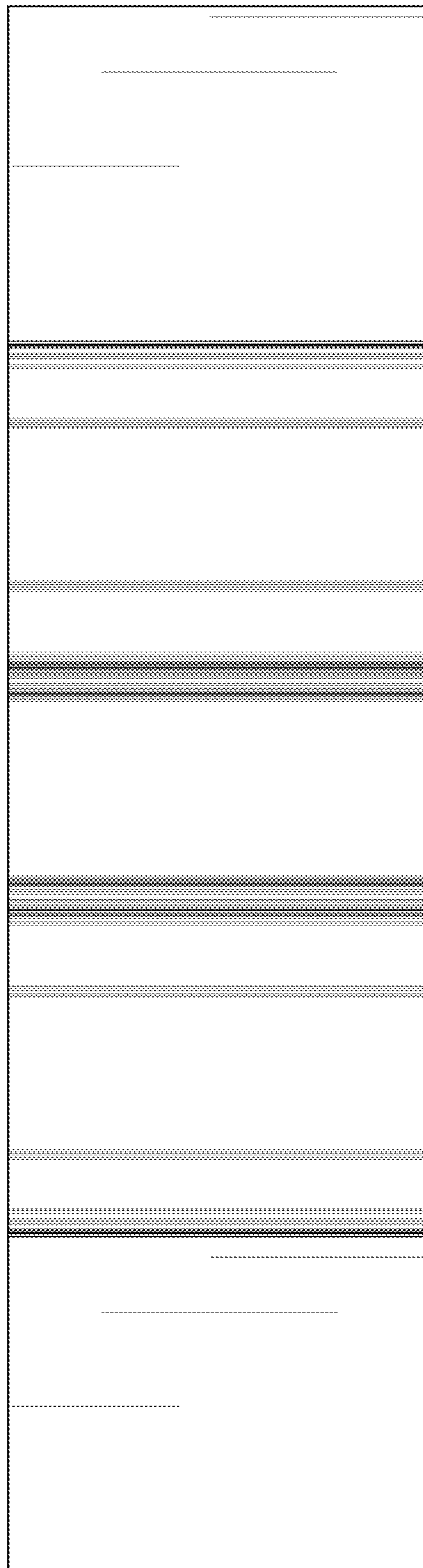


FIG. 5

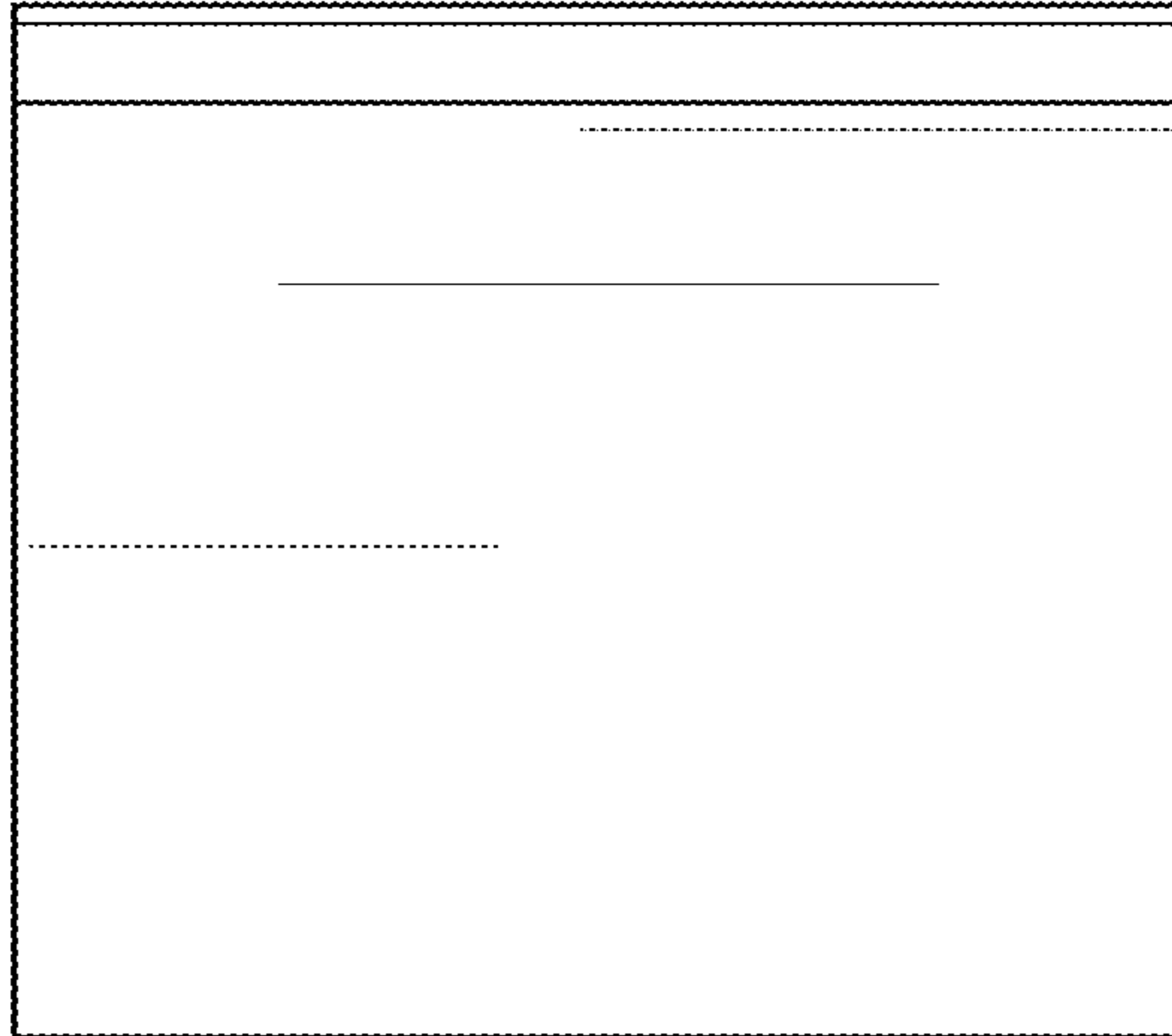


FIG. 7

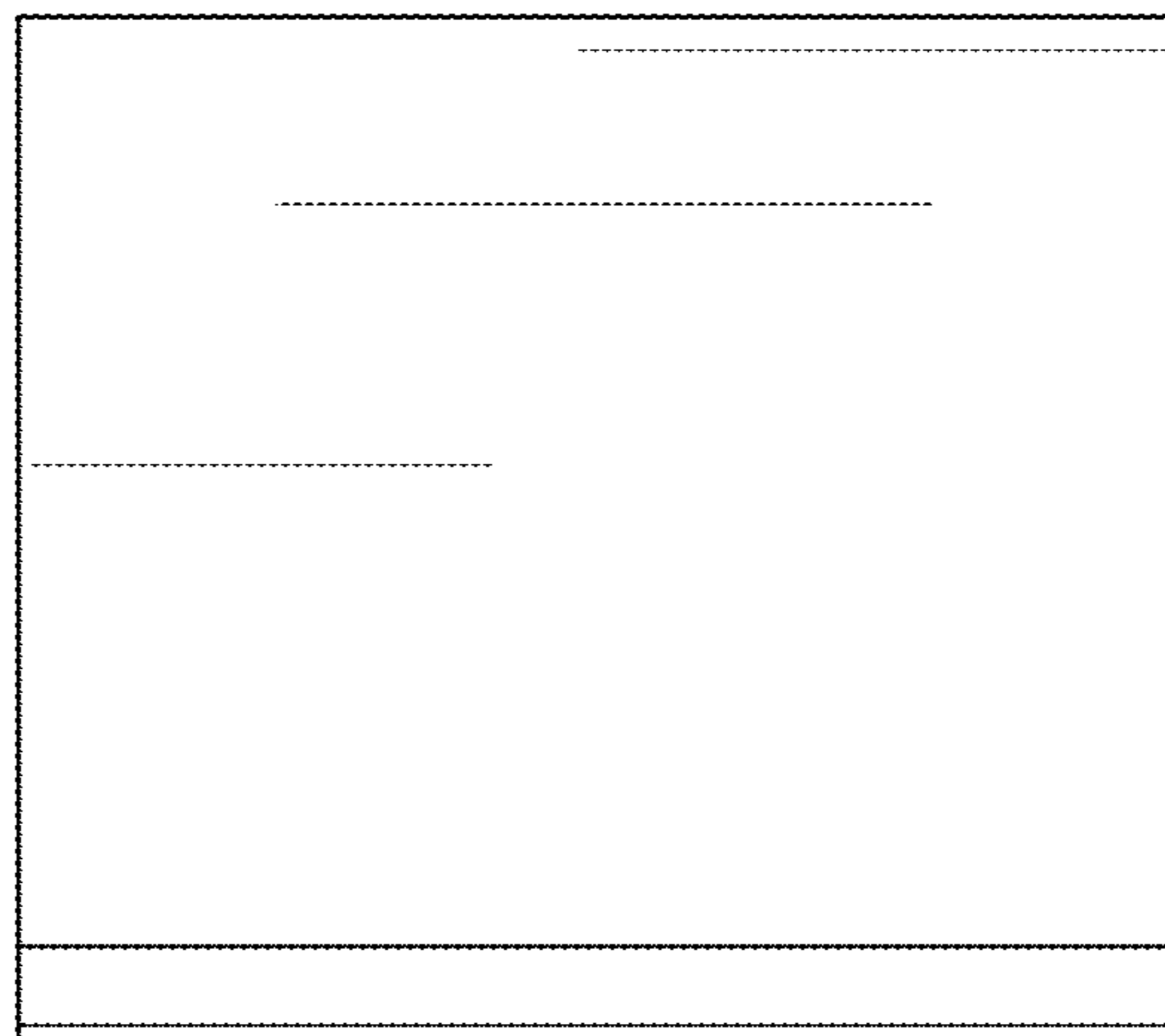


FIG. 6