



US00D925066S

(12) **United States Design Patent** (10) **Patent No.:** **US D925,066 S**
Becker et al. (45) **Date of Patent:** **** Jul. 13, 2021**

(54) **FORMING PANEL INSERT**

Primary Examiner — Doris Clark

(71) Applicant: **Brand Shared Services LLC,**
Kennesaw, GA (US)

(74) *Attorney, Agent, or Firm* — Banner & Witcoff, Ltd.

(72) Inventors: **Allan James Becker,** Richmond Hill
(CA); **Jack Poon,** Aurora (CA)

(57) **CLAIM**

(73) Assignee: **Brand Shared Services LLC,**
Kennesaw, GA (US)

The ornamental design for a forming panel insert, as shown and described.

(**) Term: **15 Years**

(21) Appl. No.: **29/698,702**

DESCRIPTION

(22) Filed: **Jul. 18, 2019**

(30) **Foreign Application Priority Data**

Jan. 18, 2019 (CA) CA 185784

(51) **LOC (13) Cl.** **25-04**

(52) **U.S. Cl.**
USPC **D25/68; D25/55**

(58) **Field of Classification Search**

USPC D25/55, 68, 61

CPC E04G 7/02; E04G 7/06; E04G 7/04; E04G
17/00; E04G 17/001; E04G 17/004; E04G
17/005; E04G 17/04; E04F 15/02005;
E04F 15/02016; E04F 15/02033; E04F
15/14; E04B 1/6815; E04B 1/6803; E04B
1/6804; E04B 1/6807; E04B 1/68; E04B
2/7863; E01C 23/026

See application file for complete search history.

(56) **References Cited**

U.S. PATENT DOCUMENTS

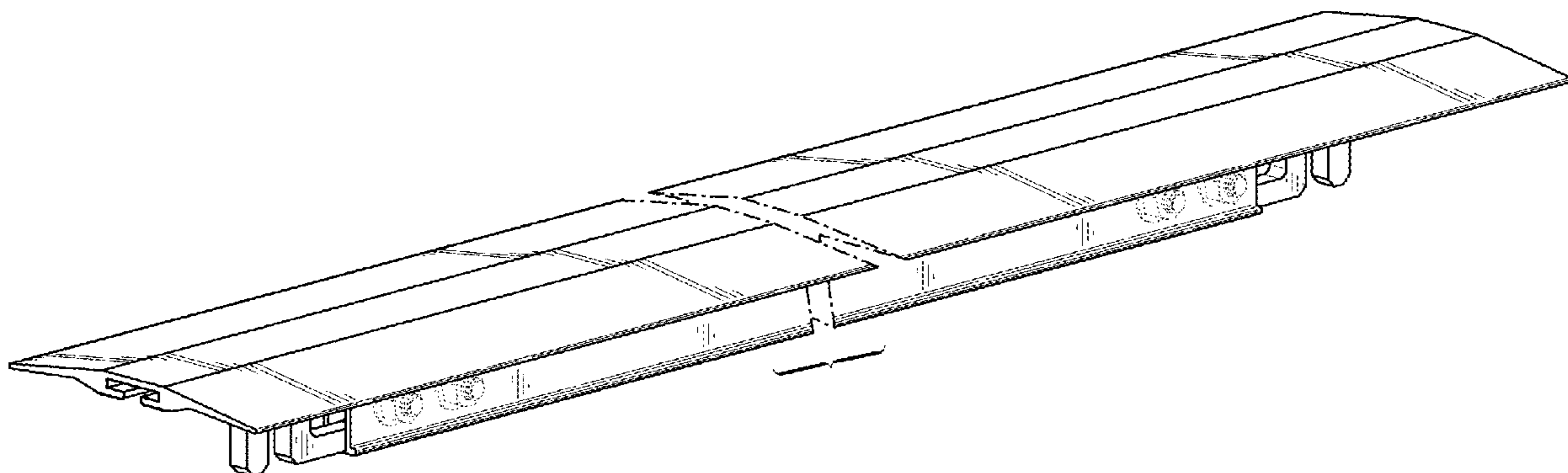
D412,584 S * 8/1999 Shira D25/61
6,588,165 B1 * 7/2003 Wright E04F 19/06
52/459
7,392,627 B2 * 7/2008 Sondermann E04F 11/166
52/464
7,409,802 B2 * 8/2008 Fiedler E04D 1/365
52/287.1

(Continued)

FIG. 1 is a top perspective view of a forming panel insert showing our new design;
FIG. 2 is a top view thereof;
FIG. 3 is a bottom view thereof;
FIG. 4 is a right side view thereof;
FIG. 5 is a left side view thereof;
FIG. 6 is a front view thereof, with the rear view being a mirror image;
FIG. 7 is a top perspective view of the forming panel insert of FIGS. 1-6 shown in an exemplary environment;
FIG. 8 is a top perspective view of the forming panel insert of FIGS. 1-7 shown in an alternate embodiment;
FIG. 9 is a top view thereof;
FIG. 10 is a bottom view thereof;
FIG. 11 is a right side view thereof;
FIG. 12 is a left side view thereof;
FIG. 13 is a front view thereof, with the rear view being a mirror image; and,
FIG. 14 is a top perspective view of the forming panel insert of FIGS. 8-13 shown in an exemplary environment.

The forming panel insert is shown with a symbolic break in its length. The appearance of any portion of the article between the break lines forms no part of the claimed design. The uneven-length broken lines immediately adjacent to the shaded areas define the bounds of the claimed design and form no part thereof. The remaining even-length broken/dotted lines depict portions of the forming panel insert that form no part of the claimed design.

1 Claim, 8 Drawing Sheets



(56)

References Cited

U.S. PATENT DOCUMENTS

7,478,781	B2 *	1/2009	Granzeier	B60R 13/02 244/130
D680,232	S *	4/2013	Elizarraras	D25/55
D689,200	S *	9/2013	Elizarraras	D25/55
8,869,482	B2 *	10/2014	Hunke	E04B 5/00 52/395
8,959,860	B2 *	2/2015	Wierzbowski	E04B 1/681 52/396.05
D728,827	S *	5/2015	Quinn	D25/68
D732,698	S *	6/2015	Meng	D25/61
9,322,163	B1 *	4/2016	Hensley	E04B 1/6813
9,453,345	B2 *	9/2016	Richardson	E04B 2/8617
9,624,677	B2 *	4/2017	Wright	E04F 15/02044
9,783,939	B2 *	10/2017	Jolicoeur	E04G 7/02
10,053,857	B1 *	8/2018	Gebhardt	E04B 1/6803
10,184,243	B2 *	1/2019	Hamilton	E04B 1/6803
10,233,633	B2 *	3/2019	Robinson	E01C 23/026
10,266,098	B1 *	4/2019	Cox	B62D 25/2054

* cited by examiner

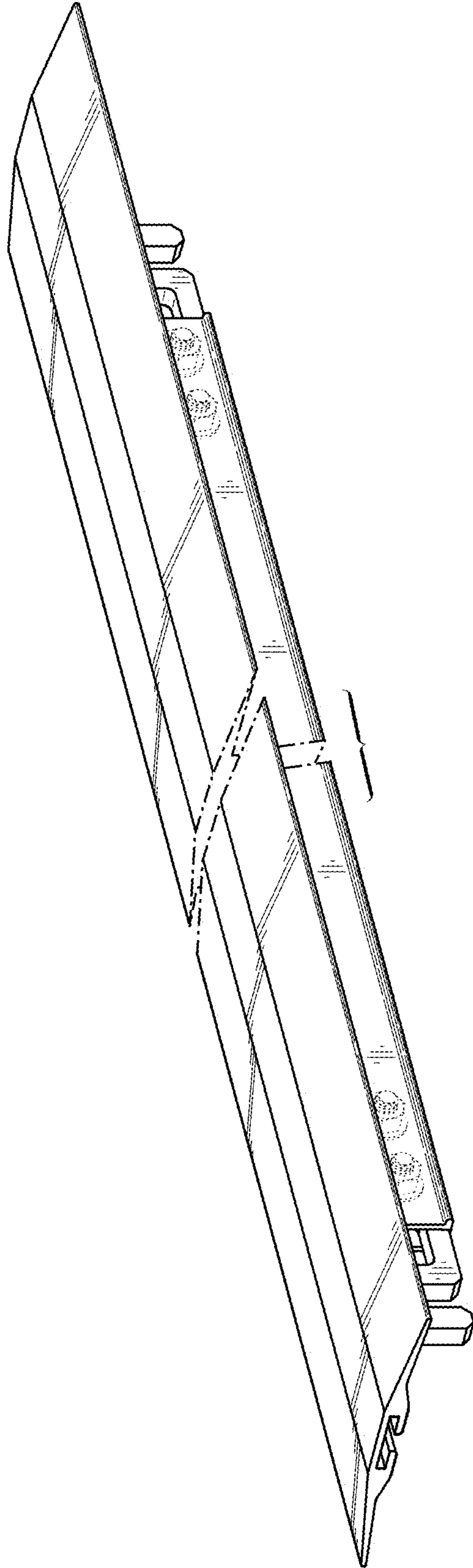


FIG. 1

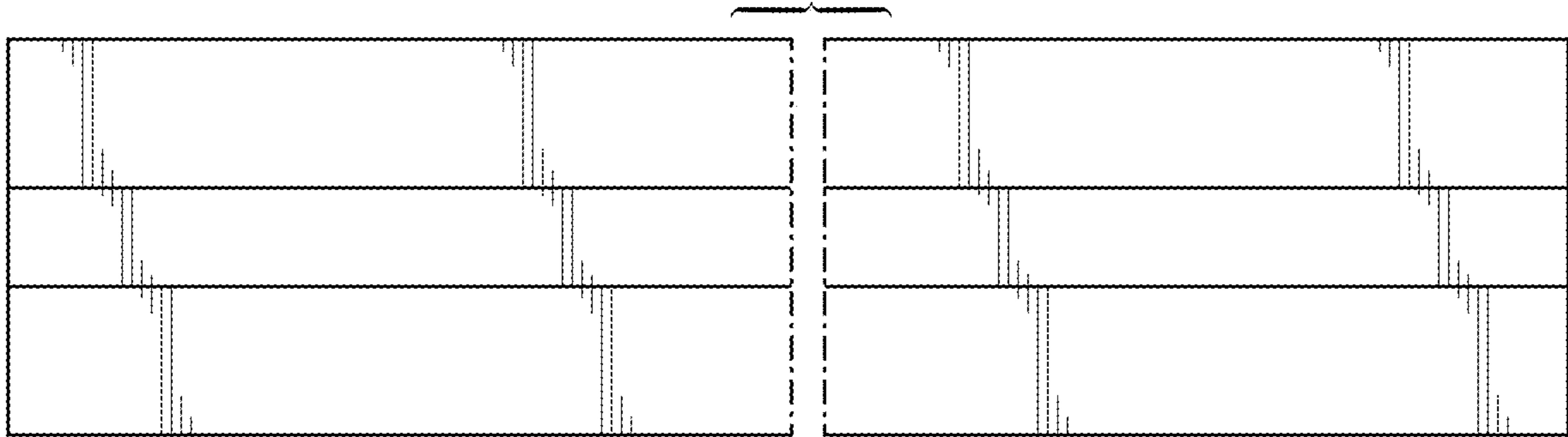


FIG. 2

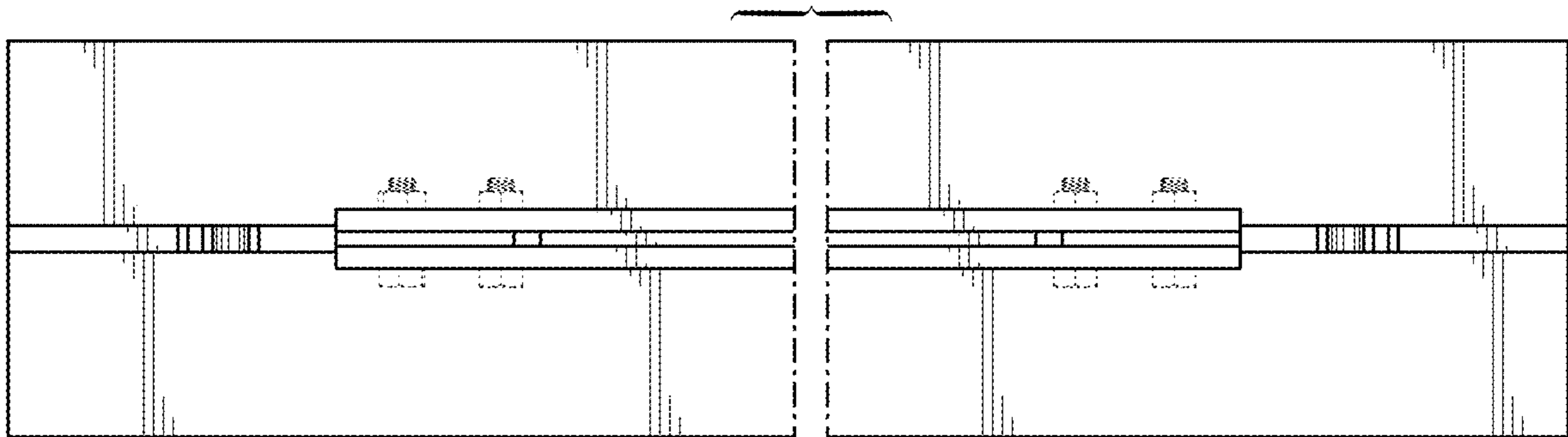


FIG. 3

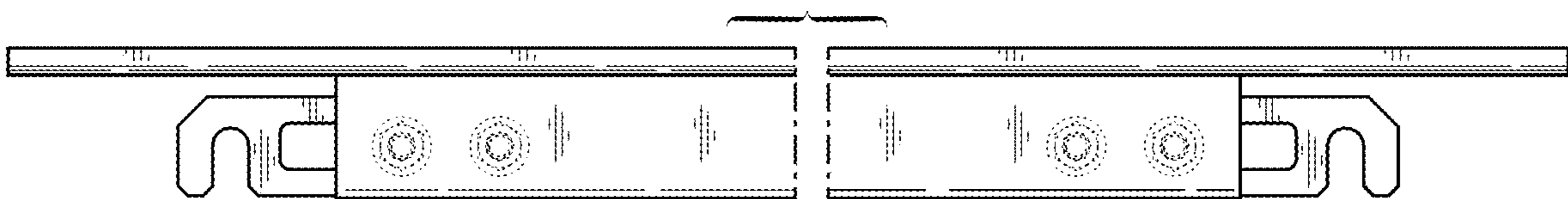


FIG. 4

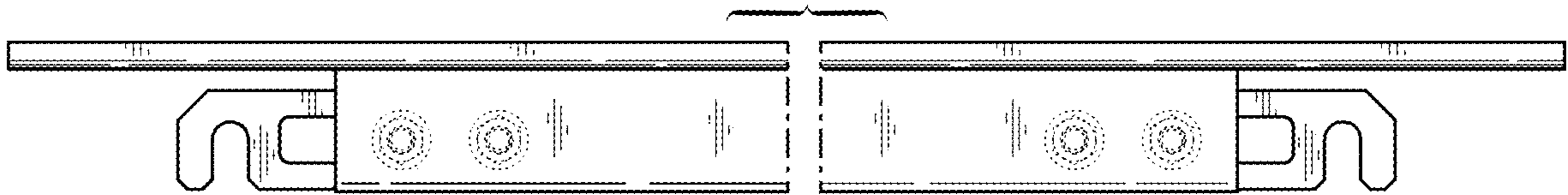


FIG. 5

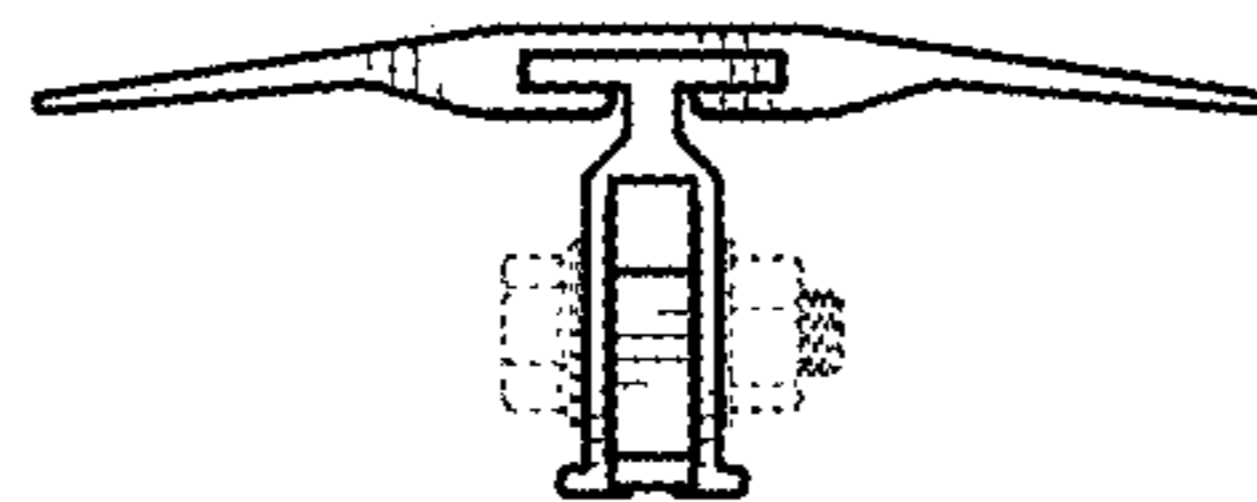


FIG. 6

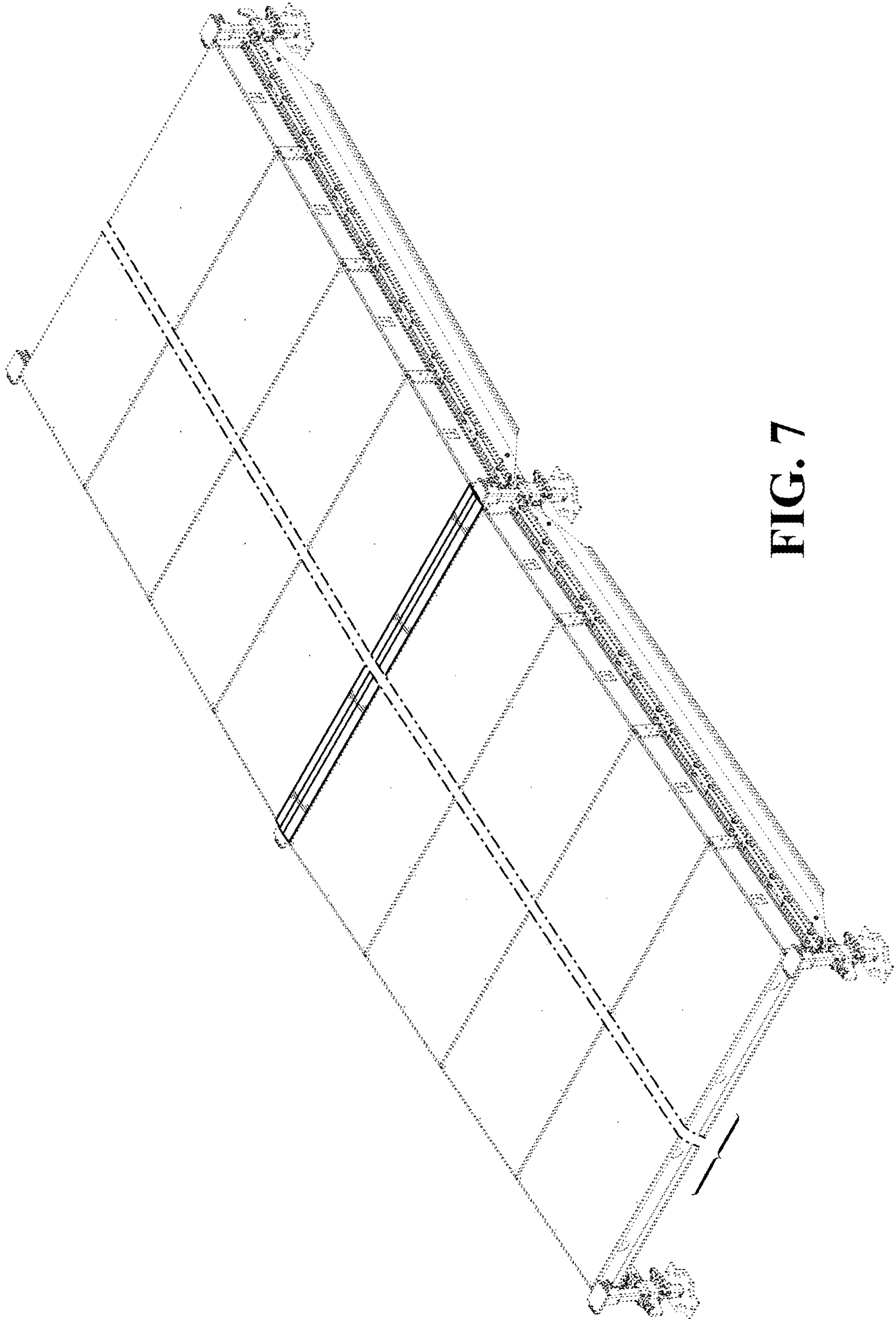


FIG. 7

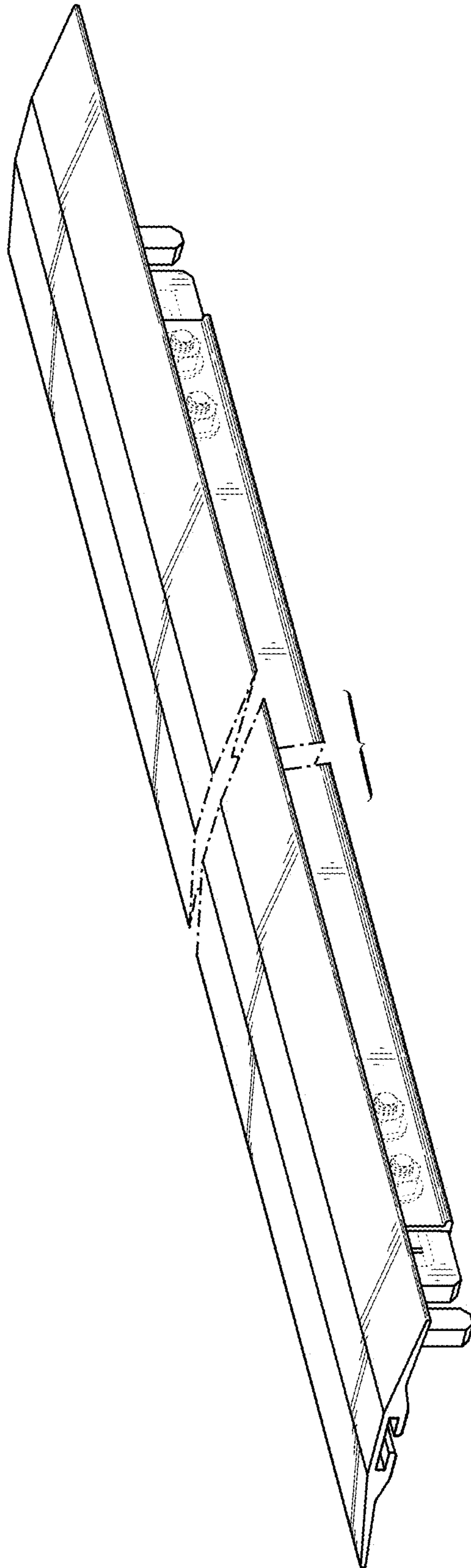


FIG. 8

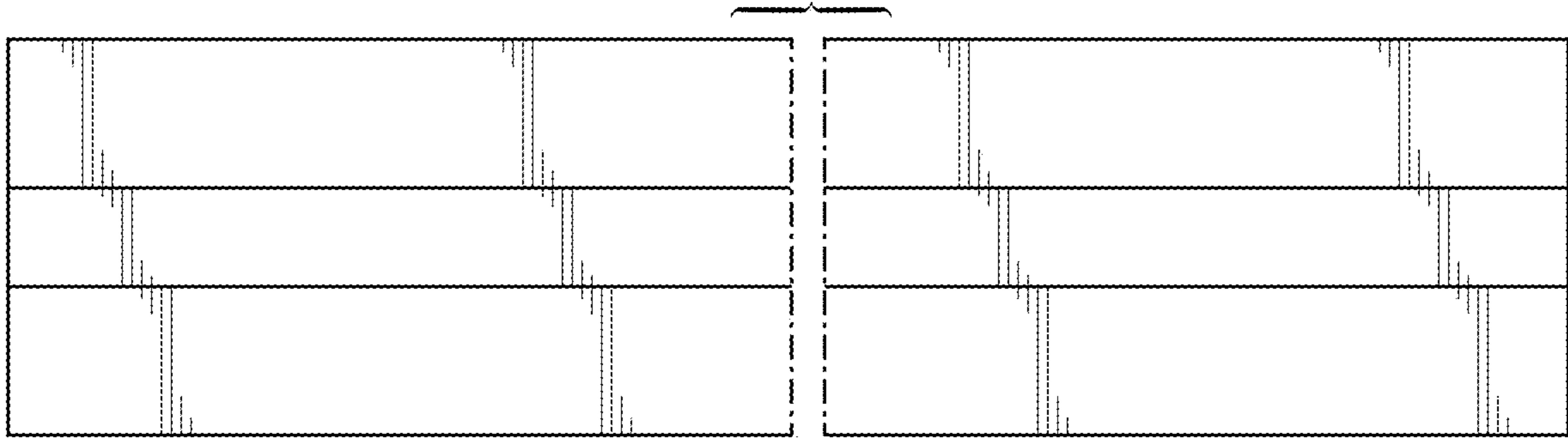


FIG. 9

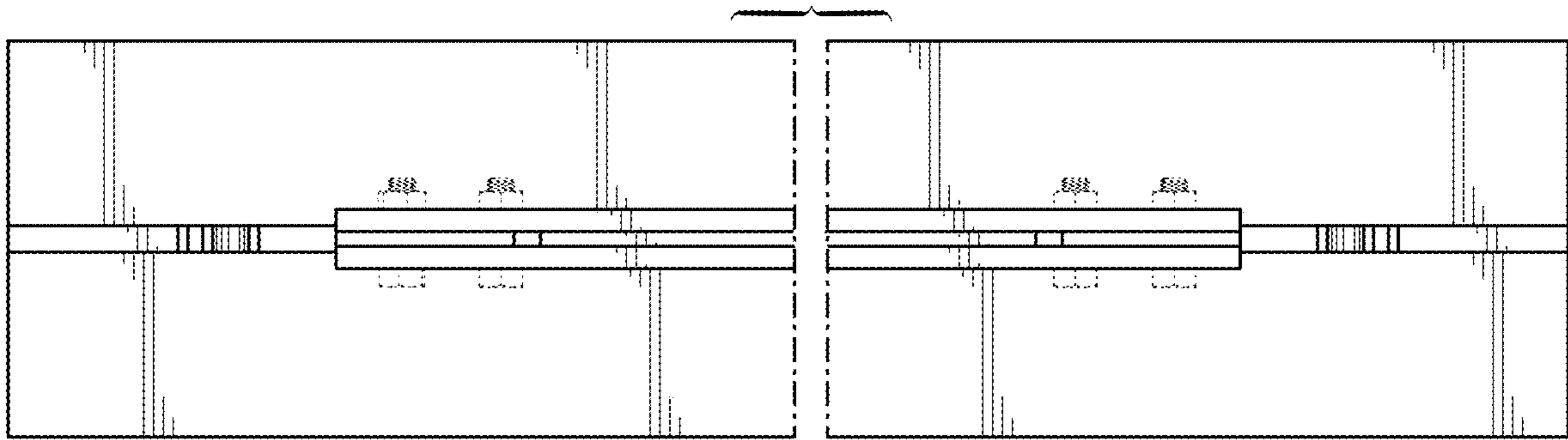


FIG. 10

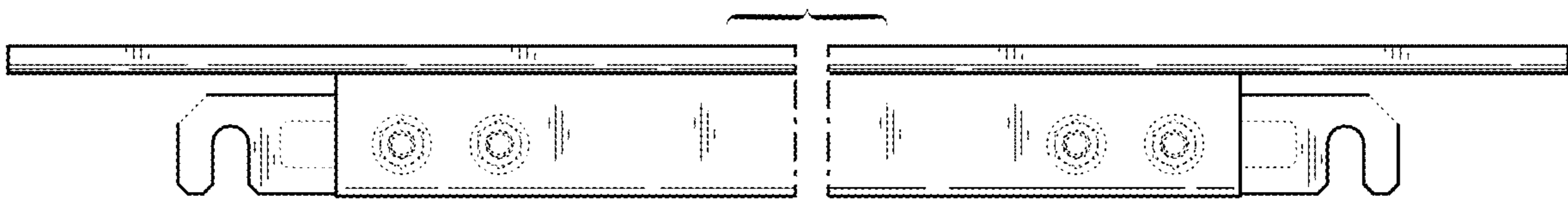


FIG. 11

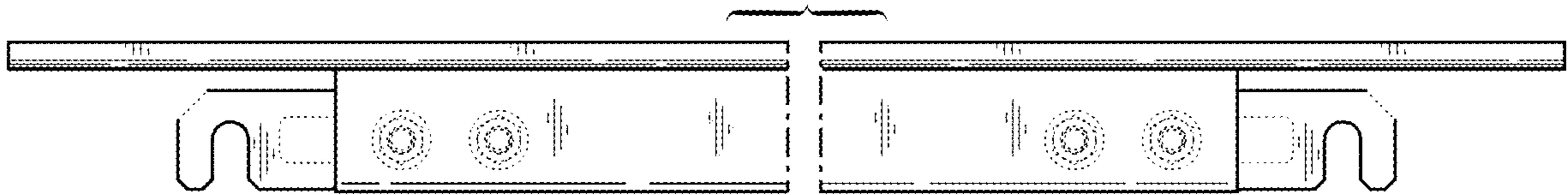


FIG. 12

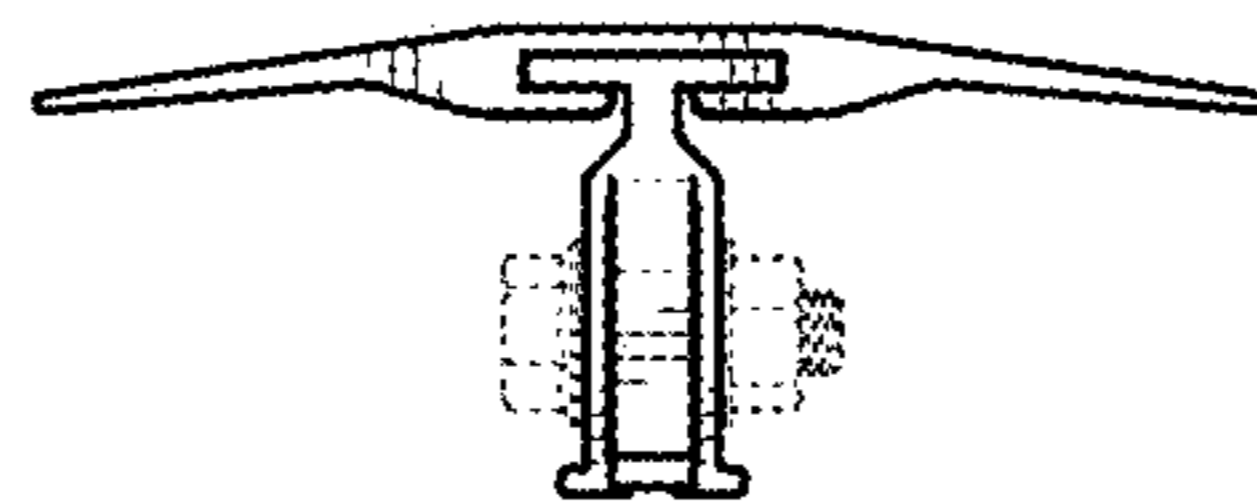


FIG. 13

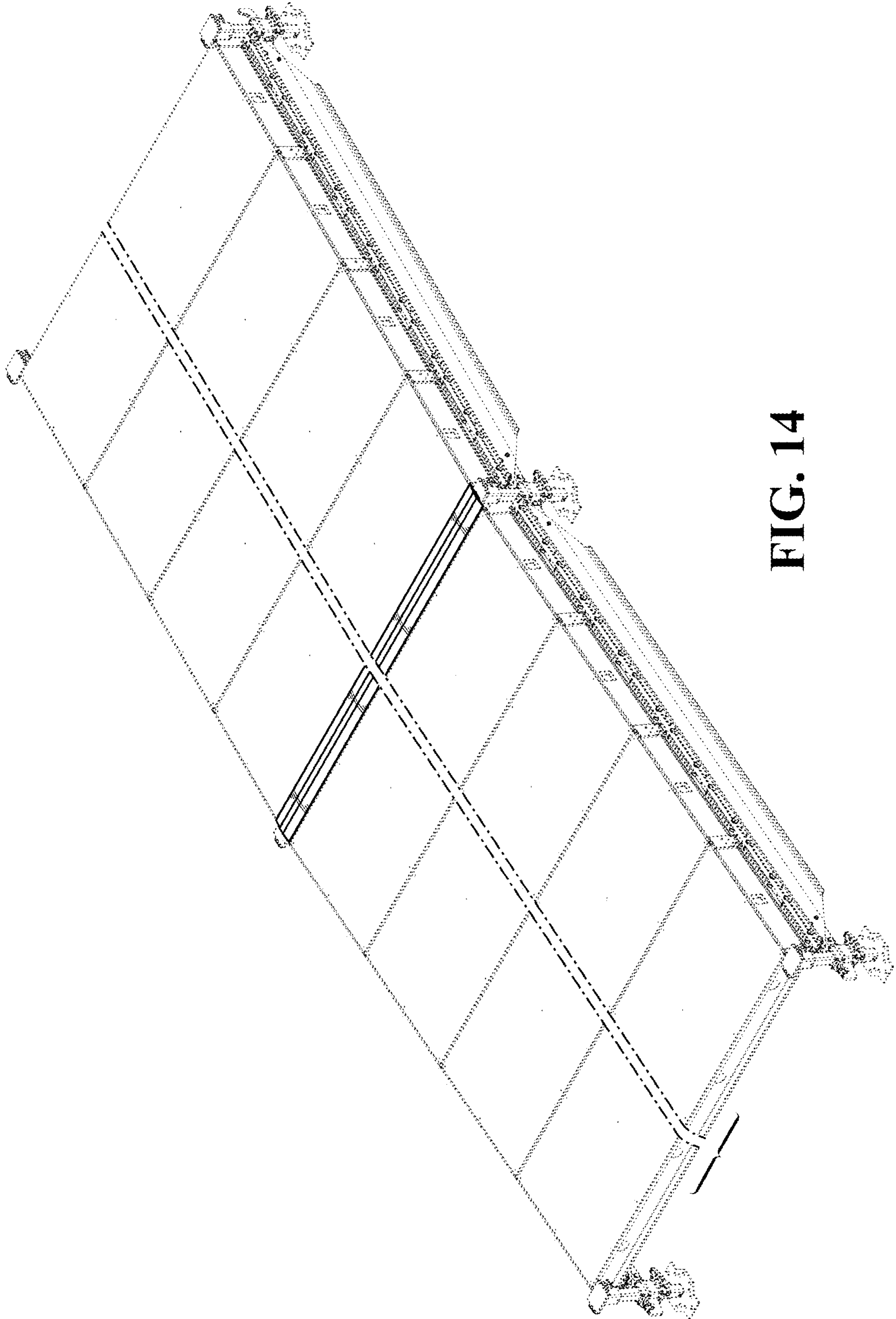


FIG. 14