

US00D925065S

(12) **United States Design Patent** (10) **Patent No.:** **US D925,065 S**  
**Martin** (45) **Date of Patent:** **\*\* Jul. 13, 2021**

(54) **TRACK HORSE**  
(71) Applicant: **KREG ENTERPRISES, INC.**, Huxley, IA (US)  
(72) Inventor: **Jacob Martin**, Urbandale, IA (US)  
(73) Assignee: **KREG ENTERPRISES, INC.**, Huxley, IA (US)  
(\*\*) Term: **15 Years**  
(21) Appl. No.: **29/654,283**  
(22) Filed: **Jun. 22, 2018**  
(51) **LOC (13) Cl.** ..... **25-04**  
(52) **U.S. Cl.**  
USPC ..... **D25/67**  
(58) **Field of Classification Search**  
USPC ..... D25/62, 67, 68; 182/181.1, 224, 153  
CPC ... B25H 1/06; B25H 1/04; B25H 1/16; B25H 1/14; B25H 1/00; B25H 1/0042  
See application file for complete search history.

5,584,254 A 12/1996 Williams  
D379,236 S 5/1997 Sheftel  
5,626,321 A 5/1997 Ulshafer, Jr.  
D380,558 S 7/1997 Calvin  
5,647,455 A 7/1997 Russell  
D392,746 S 3/1998 Dickinson et al.  
5,758,744 A 6/1998 Forino  
(Continued)

**FOREIGN PATENT DOCUMENTS**

CA 2314044 1/2001  
CA 2508205 6/2004  
(Continued)

*Primary Examiner* — Gino Colan  
(74) *Attorney, Agent, or Firm* — Christopher A. Proskey;  
BrownWinick Law Firm

(57) **CLAIM**

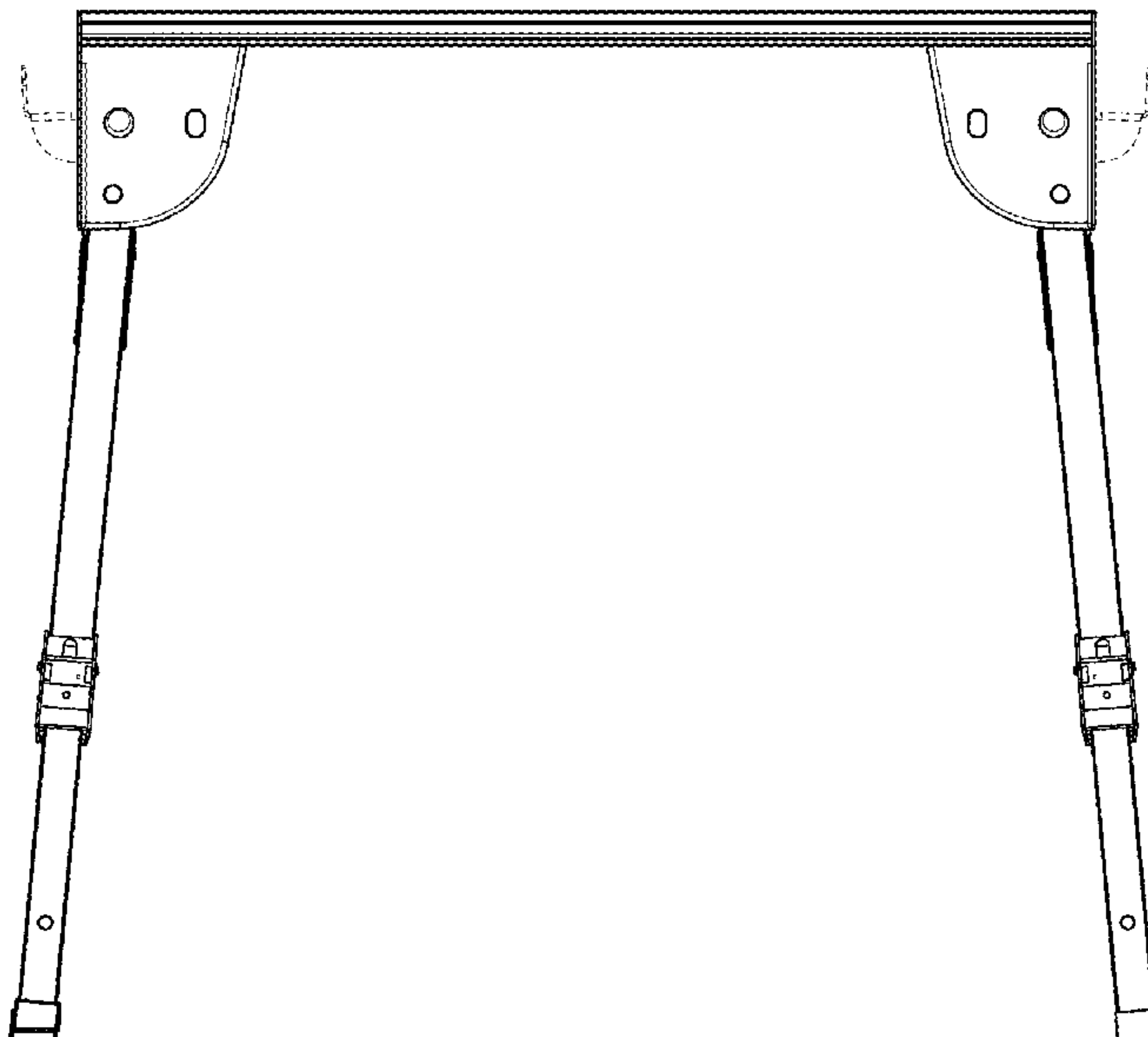
The ornamental design for a track horse, as shown and described.

**DESCRIPTION**

FIG. 1 is a side elevation of a track horse showing my new design,  
FIG. 2 is an end elevation view thereof;  
FIG. 3 is a top plan view thereof;  
FIG. 4 is a bottom plan view thereof;  
FIG. 5 is a side elevation view thereof, shown in a retracted position;  
FIG. 6 is a bottom plan view thereof, shown in a retracted position;  
FIG. 7 is a top perspective view thereof;  
FIG. 8 is another top perspective view thereof;  
FIG. 9 is a bottom perspective view thereof; and,  
FIG. 10 is another top perspective view thereof.  
The broken lines shown in the figures are for the purpose of illustrating environment and form no part of the claimed design.

(56) **References Cited**  
U.S. PATENT DOCUMENTS  
379,236 A 3/1888 McCastline  
380,558 A 4/1888 Eaton  
399,977 A 3/1889 Davis  
409,764 A 8/1889 Woods  
425,210 A 4/1890 Cobb  
D279,736 S 7/1985 Zastera et al.  
5,305,850 A 4/1994 McQuiston  
5,351,730 A 10/1994 Lewellen et al.  
5,377,780 A 1/1995 Dunaway  
D357,140 S 4/1995 Hollinger  
5,421,430 A 6/1995 Cox  
D361,216 S 8/1995 Lewellen et al.  
5,439,073 A 8/1995 Johnson  
5,467,842 A 11/1995 Meloy  
5,560,449 A 10/1996 Smith  
5,582,267 A 12/1996 Bockoven et al.

**1 Claim, 10 Drawing Sheets**



(56)

References Cited

U.S. PATENT DOCUMENTS

5,813,495 A 9/1998 Smith  
 D399,977 S 10/1998 Laga  
 5,868,185 A 2/1999 Poling et al.  
 5,875,828 A 3/1999 Quiram et al.  
 5,884,681 A 3/1999 Nickles  
 D409,764 S 5/1999 Laga  
 5,904,225 A 5/1999 Patros et al.  
 5,921,347 A 7/1999 Rodriguez et al.  
 5,927,436 A 7/1999 Schutz  
 5,954,156 A 9/1999 Cooke  
 6,019,193 A 2/2000 Brown  
 6,021,866 A 2/2000 Meeks  
 6,029,721 A 2/2000 O'Banion  
 D425,105 S 5/2000 Saito  
 6,059,071 A 5/2000 Appezzato  
 6,113,088 A 9/2000 Gakhar et al.  
 D432,670 S 10/2000 Horrell  
 6,155,318 A 12/2000 Underwood  
 6,173,660 B1 1/2001 Emmert  
 6,199,608 B1 3/2001 Ayala et al.  
 6,283,250 B1 9/2001 Asher  
 6,286,824 B1 9/2001 Sagol  
 6,298,946 B1 10/2001 Yemini et al.  
 6,305,498 B1 10/2001 Itzkovitch  
 6,422,343 B1 7/2002 Berg  
 D475,142 S 5/2003 Sommerville et al.  
 6,712,182 B1 3/2004 Baker  
 D493,236 S 7/2004 Frey  
 D502,777 S 3/2005 Kempf  
 6,899,306 B1 5/2005 Huang  
 6,968,790 B1 11/2005 Kocsis  
 D520,775 S 5/2006 Liu et al.  
 7,036,540 B2 5/2006 Welsh et al.  
 7,140,409 B2 11/2006 Leberfinger et al.  
 D535,490 S 1/2007 Wise  
 D535,491 S 1/2007 Wise  
 D536,800 S 2/2007 Kyle  
 7,172,053 B2 2/2007 Slavich  
 D550,476 S 9/2007 Liu et al.  
 D556,419 S 11/2007 Whiteside et al.  
 D563,113 S 3/2008 Snider  
 D564,780 S 3/2008 Reeves et al.  
 D565,320 S 4/2008 Wenskowski  
 D572,937 S 7/2008 Wenskowski  
 7,415,933 B2 8/2008 Sagol  
 D577,507 S 9/2008 Collins et al.  
 7,458,403 B2 12/2008 Radermacher  
 D584,421 S 1/2009 Wise  
 7,588,255 B2 9/2009 Katz  
 D604,864 S 11/2009 Jansson et al.  
 D634,858 S \* 3/2011 Landau ..... D25/67  
 D638,140 S 5/2011 Busschaert et al.  
 D638,141 S 5/2011 Busschaert et al.  
 8,016,079 B1 9/2011 Huls  
 D648,443 S 11/2011 Busschaert et al.  
 8,267,017 B1 9/2012 Michael et al.  
 D681,851 S 5/2013 Zidek et al.  
 8,439,164 B1 5/2013 Esposito  
 8,439,165 B2 5/2013 Busschaert et al.  
 D688,388 S 8/2013 Ardoin  
 D688,901 S 9/2013 Colson  
 8,584,601 B1 11/2013 Deschner  
 8,684,052 B2 4/2014 Breitenbach  
 D704,858 S 5/2014 Green  
 D708,351 S 7/2014 Ken-Dror et al.  
 D709,626 S 7/2014 Wise

D721,442 S 1/2015 Wang  
 8,931,529 B2 1/2015 Fregeau  
 D729,555 S 5/2015 Saigauvker et al.  
 9,140,401 B2 9/2015 Hoyle  
 9,186,736 B1 11/2015 Chang  
 9,347,229 B2 5/2016 Ken-Dror et al.  
 9,505,121 B2 11/2016 Pearson  
 9,515,267 B2 12/2016 Michael  
 D781,083 S 3/2017 Zhu  
 D803,419 S \* 11/2017 Faibish ..... D25/67  
 10,093,017 B2 \* 10/2018 Birnbaum ..... B25H 1/0042  
 10,343,274 B2 \* 7/2019 Katz ..... B25H 1/04  
 D872,877 S \* 1/2020 Hanlon ..... D25/67  
 D882,824 S \* 4/2020 Hanlon ..... D25/67  
 D899,629 S \* 10/2020 Hanlon ..... D25/67  
 2002/0011381 A1 1/2002 Wilkerson  
 2002/0038741 A1 4/2002 Krajec  
 2002/0043432 A1 4/2002 Elwick  
 2002/0108481 A1 8/2002 Logan  
 2002/0125072 A1 9/2002 Levy  
 2003/0024604 A1 2/2003 Derecktor  
 2003/0079661 A1 5/2003 Luu  
 2004/0124036 A1 7/2004 Ulshafter  
 2004/0188178 A1 9/2004 Slemmer  
 2005/0006002 A1 1/2005 Barclay deTolly  
 2005/0011421 A1 1/2005 Zhang  
 2005/0045422 A1 3/2005 Remmers  
 2005/0167199 A1 8/2005 Kempf  
 2005/0224291 A1 10/2005 Fasanella  
 2005/0230188 A1 10/2005 Berg  
 2006/0124395 A1 6/2006 Fisher  
 2006/0130715 A1 6/2006 Yoo  
 2006/0162627 A1 7/2006 Alger  
 2006/0272744 A1 12/2006 Liu et al.  
 2008/0035427 A1 2/2008 Fowler  
 2008/0173498 A1 7/2008 Beyor  
 2009/0183948 A1 7/2009 Sciorrotta, Jr.  
 2009/0260921 A1 10/2009 Osborne  
 2010/0012432 A1 1/2010 Noel  
 2010/0288585 A1 11/2010 Katz et al.  
 2011/0233000 A1 9/2011 Sutton et al.  
 2012/0174835 A1 7/2012 Chen  
 2013/0075197 A1 3/2013 Peter  
 2013/0092005 A1 4/2013 Wiker et al.  
 2013/0160894 A1 6/2013 Whalen  
 2013/0285302 A1 10/2013 Helm  
 2014/0232053 A1 8/2014 Lifshitz et al.  
 2015/0075909 A1 3/2015 Walker et al.  
 2016/0101514 A1 4/2016 Moore  
 2016/0107305 A1 4/2016 Reinhart  
 2016/0176040 A1 6/2016 Wysong  
 2016/0221177 A1 7/2016 Reinhart  
 2016/0346912 A1 12/2016 Reinhart  
 2016/0375574 A1 12/2016 Reinhart  
 2017/0106527 A1 4/2017 Birnbaum et al.  
 2017/0173778 A1 6/2017 Reinhart  
 2017/0252917 A1 9/2017 Williams

FOREIGN PATENT DOCUMENTS

CA 2627812 10/2008  
 FR 2898474 9/2007  
 GB 9709119 11/1998  
 GB 0908747 11/2009  
 IL 124680 12/2001  
 WO 2016063285 4/2016  
 WO 2017009844 1/2017  
 WO 2017083713 5/2017

\* cited by examiner

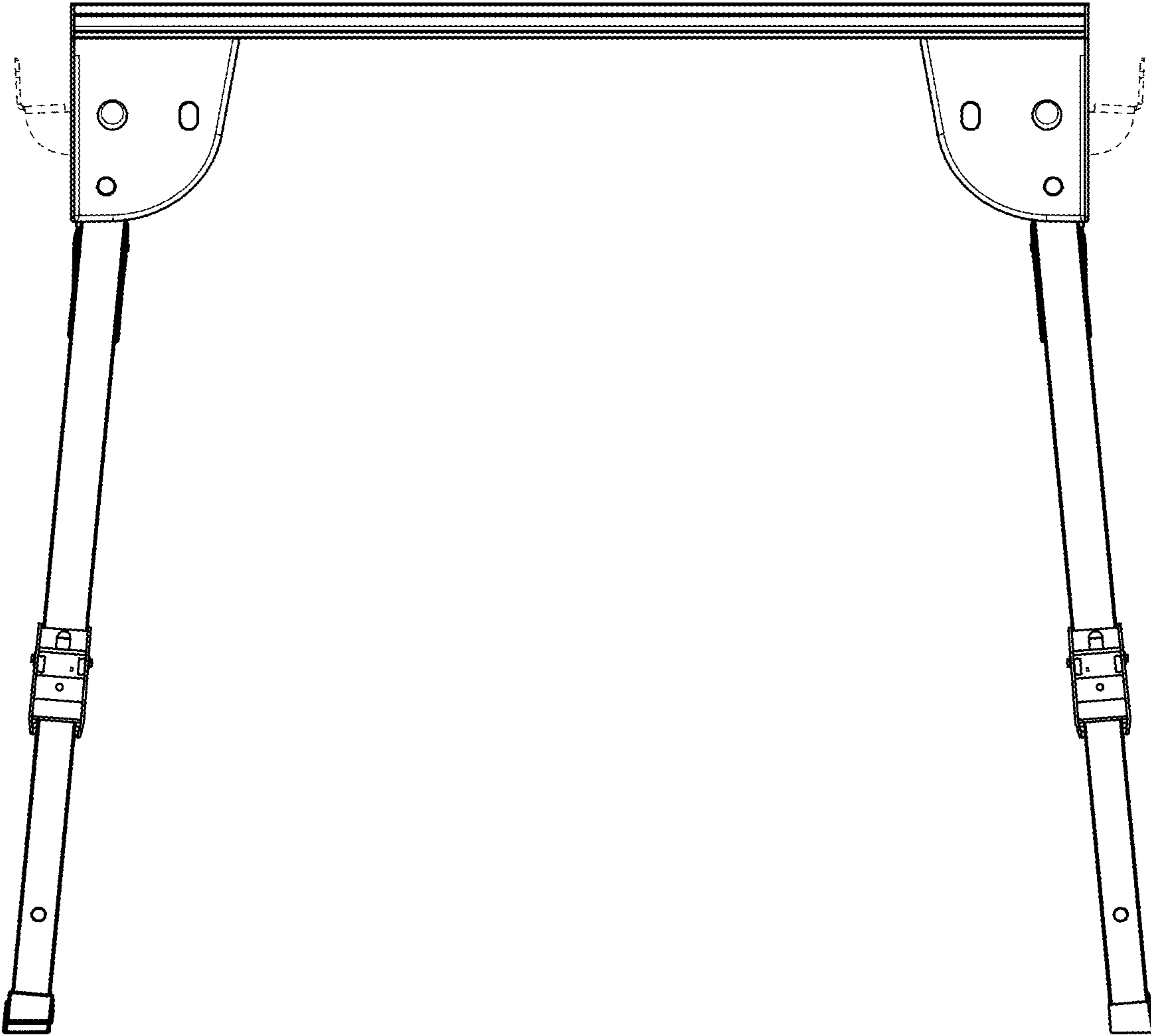


FIG. 1

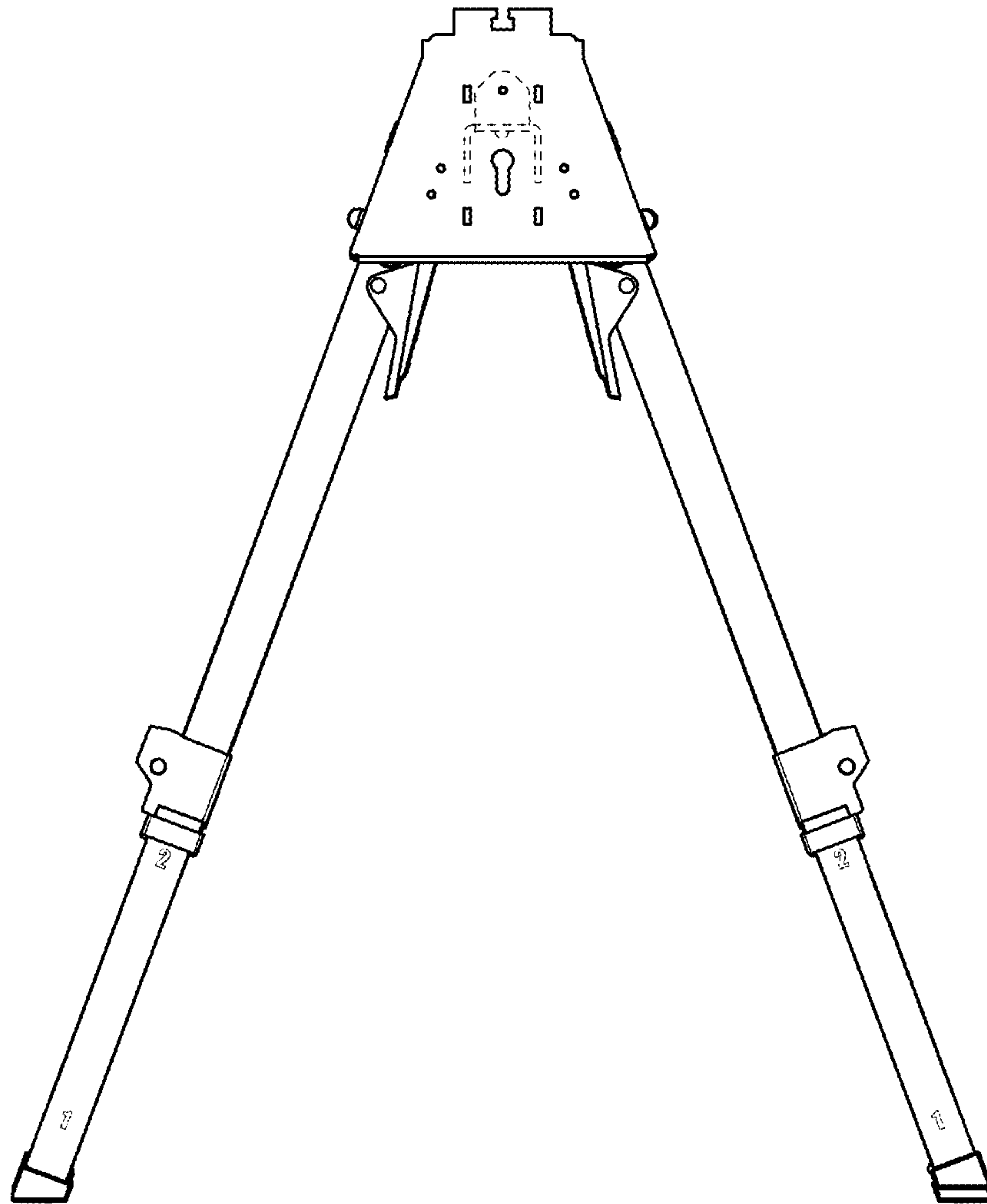


FIG. 2



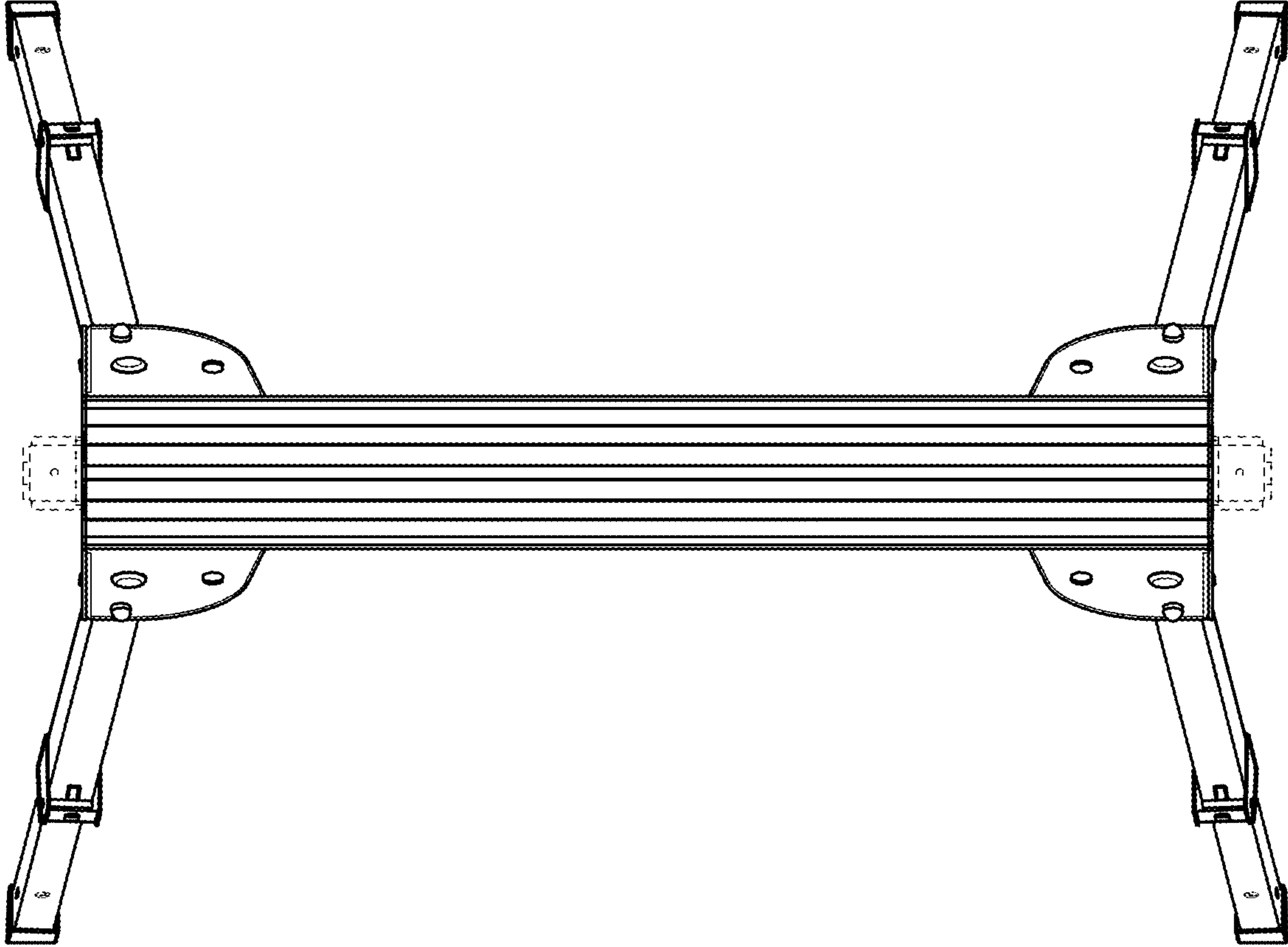


FIG. 3

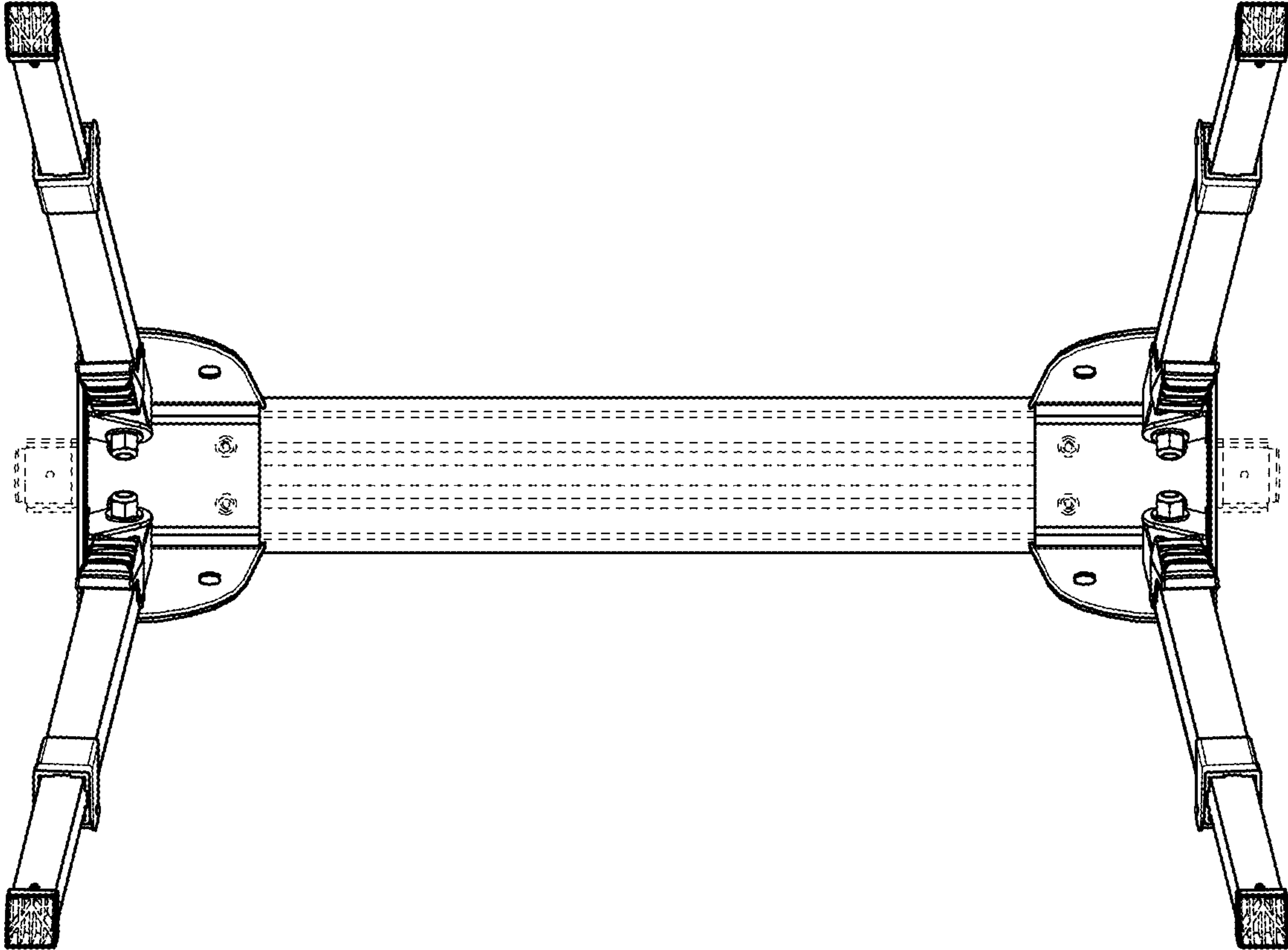


FIG. 4

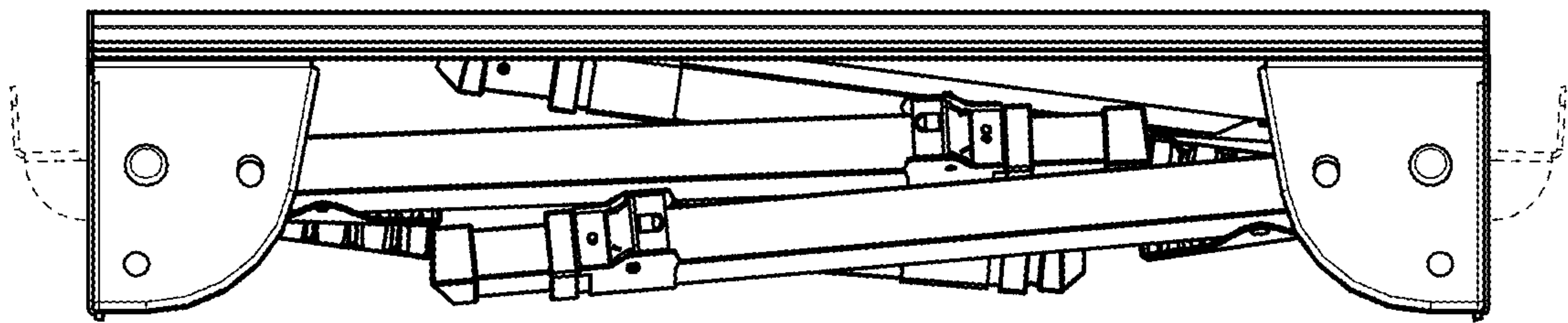


FIG. 5

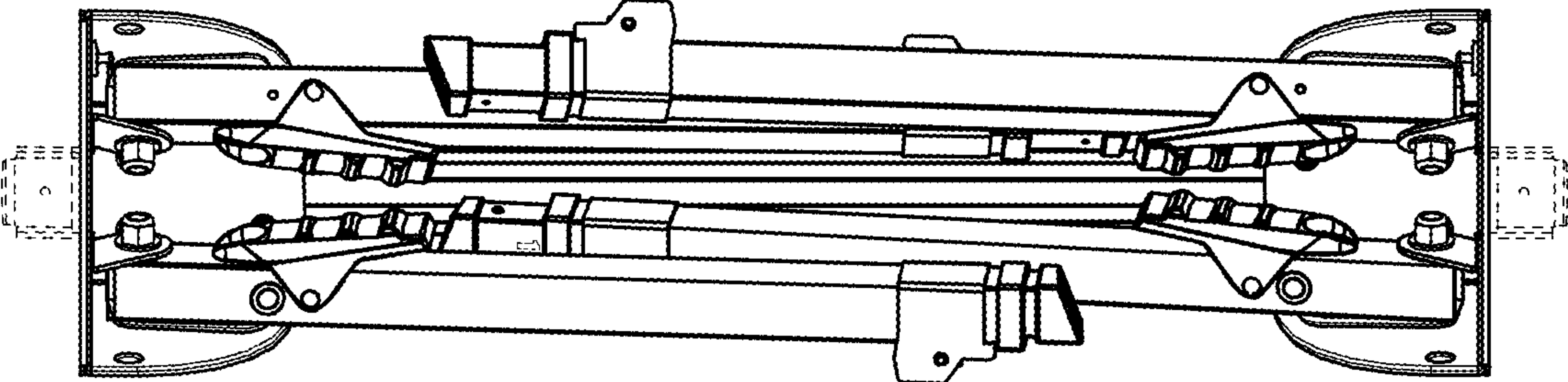


FIG. 6



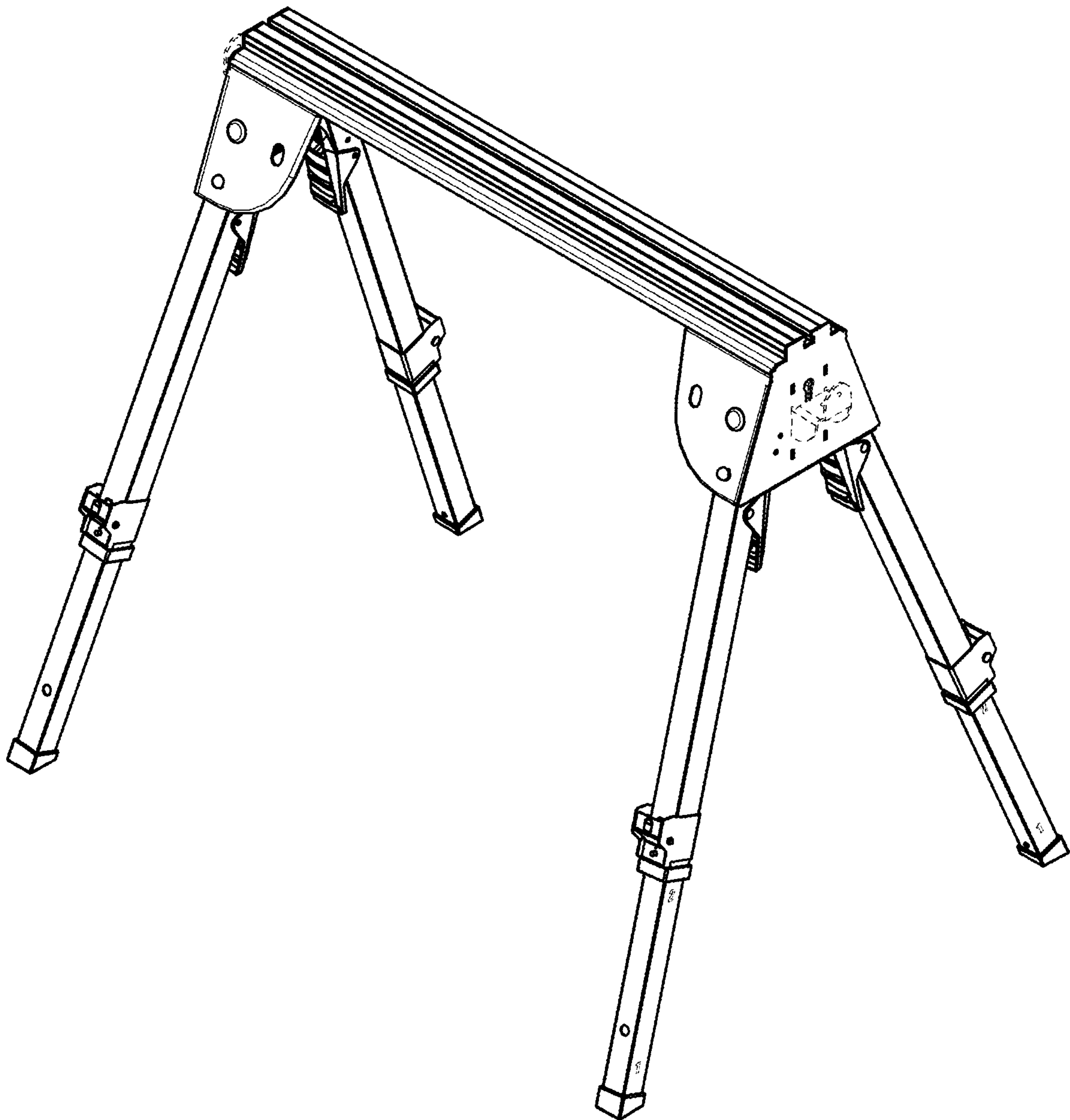


FIG. 7

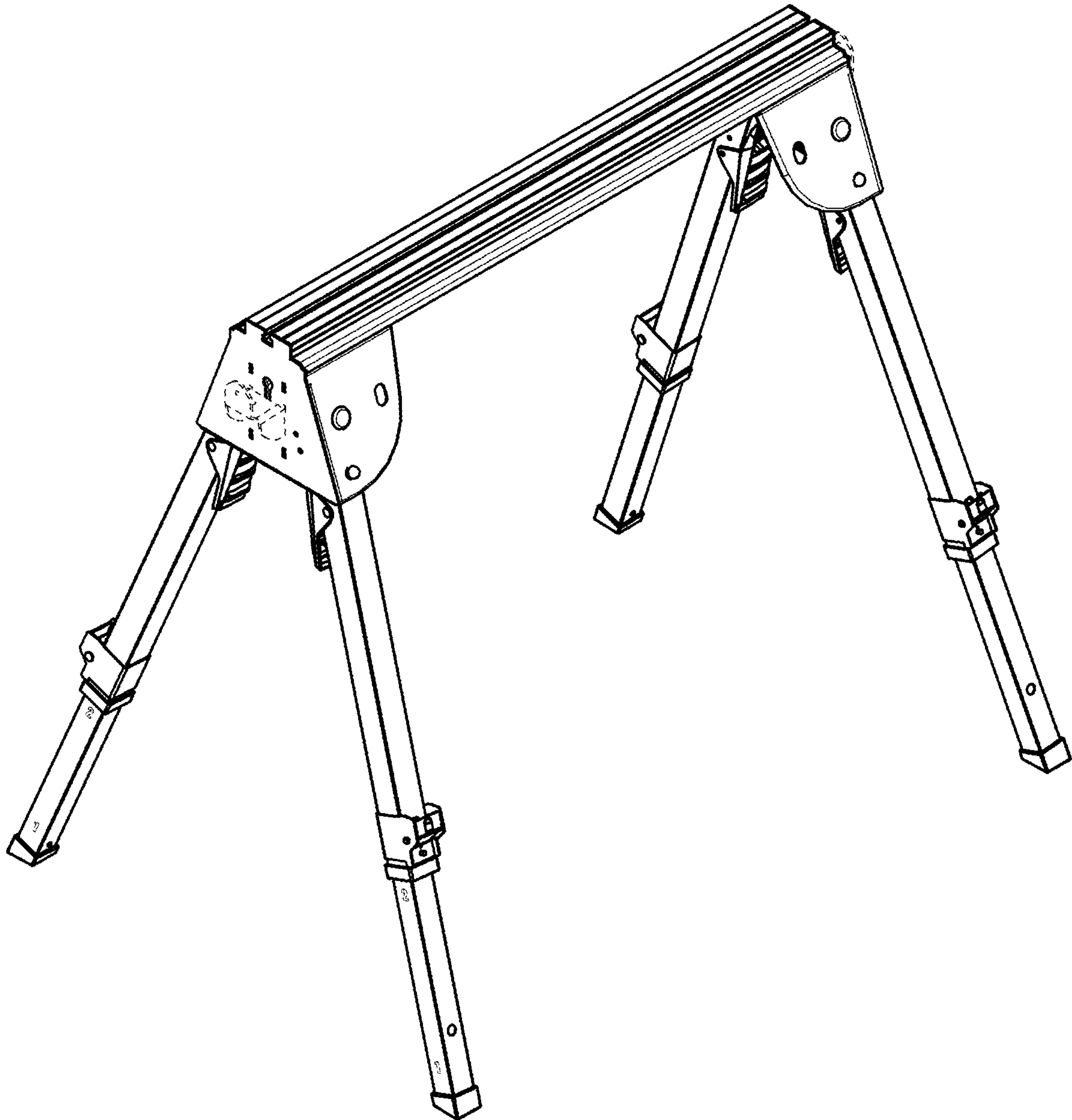


FIG. 8

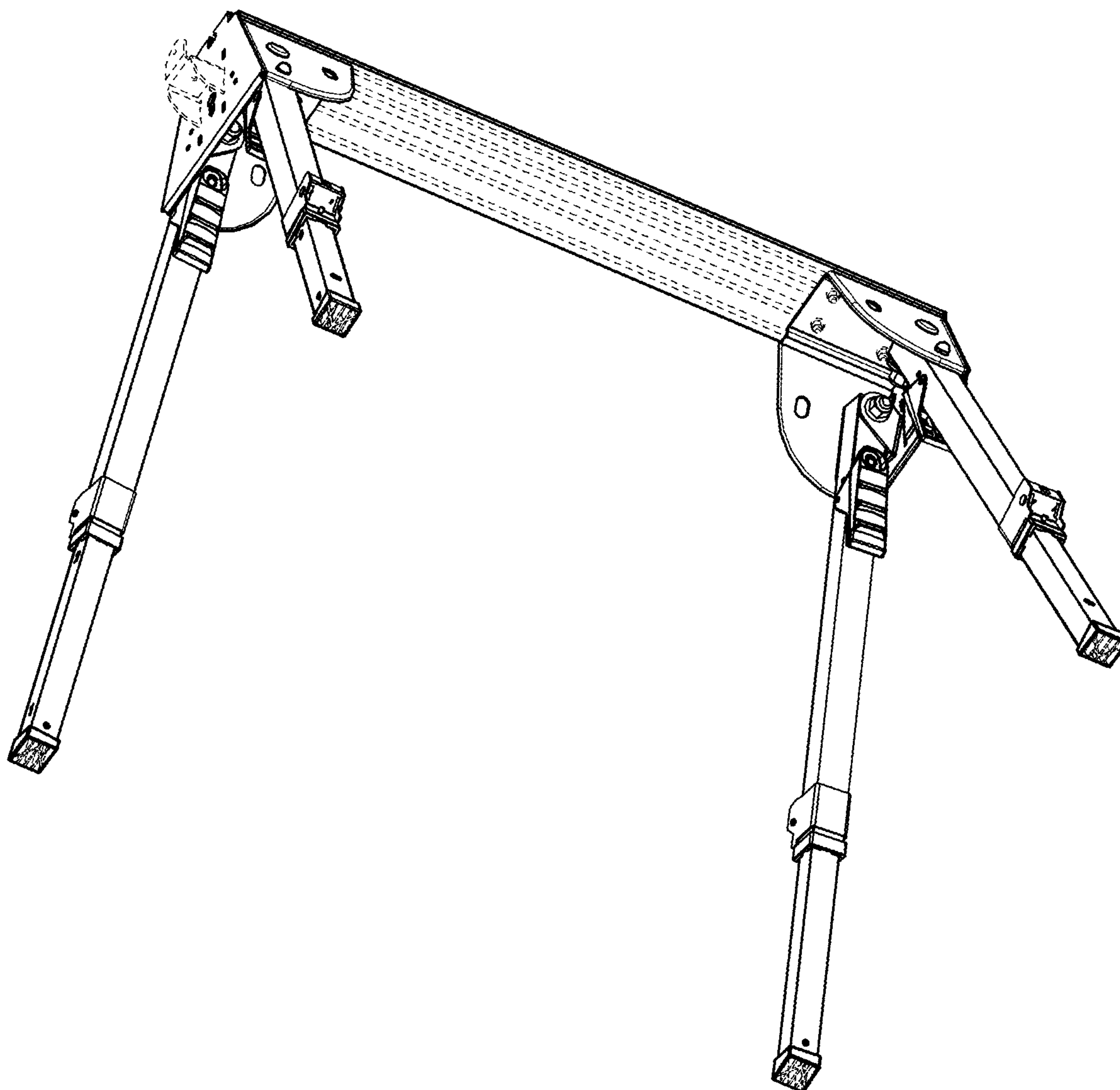


FIG. 9

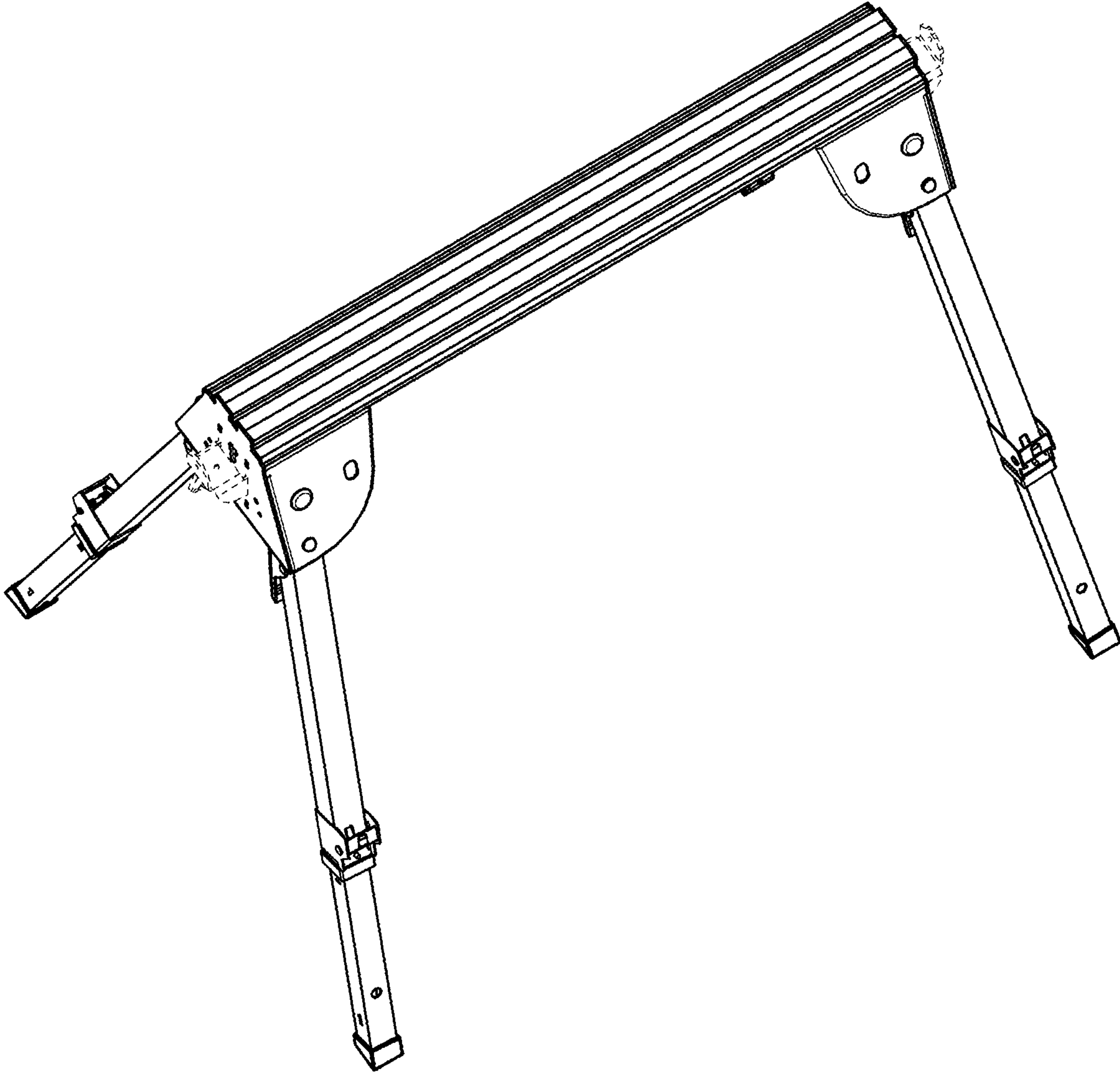


FIG. 10