



US00D925064S

(12) **United States Design Patent** (10) **Patent No.:** **US D925,064 S**
Yi (45) **Date of Patent:** **** Jul. 13, 2021**

(54) **PET DOOR**
(71) Applicant: **SHENZHEN LESHUO TECHNOLOGY CO., LTD.**, Shenzhen (CN)
(72) Inventor: **Zhou Yi**, Shenzhen (CN)
(73) Assignee: **SHENZHEN LESHUO TECHNOLOGY CO., LTD.**, Shenzhen (CN)

D518,926 S 4/2006 Grundy
D538,942 S * 3/2007 Grundy D25/48.3
D849,269 S * 5/2019 Yi D25/48.3
D897,559 S * 9/2020 Taylor D25/48.3
D901,720 S 11/2020 Harrington
2003/0233802 A1* 12/2003 Lethers E06B 7/32
52/458
2011/0219693 A1* 9/2011 Bosserdet, Jr. E06B 7/32
49/168

(Continued)

FOREIGN PATENT DOCUMENTS

(**) Term: **15 Years**

CN 305121146 * 4/2019
CN 305174736 * 5/2019

(Continued)

(21) Appl. No.: **29/758,478**

Primary Examiner — Leanne Was-Englehart

(22) Filed: **Nov. 16, 2020**

(74) *Attorney, Agent, or Firm* — Law Offices of Steven W. Weinrieb

(51) **LOC (13) Cl.** **30-99**

(52) **U.S. Cl.**
USPC **D25/48.3**

(57) **CLAIM**

(58) **Field of Classification Search**
USPC D25/48.1, 48.3, 55, 60, 138; D30/119, D30/199

The ornamental design for a pet door, as shown and described.

CPC E06B 7/32; E05F 1/1284; E05F 15/611; E05F 15/76; E05F 15/77; E05B 47/0001; G07C 9/00309; G07C 9/00896; G07C 9/28; A01K 15/02; H04Q 2213/13095; Y10T 292/0962; Y10T 292/11; Y10T 70/5199; Y10S 160/08

DESCRIPTION

See application file for complete search history.

FIG. 1 is a front, right side, top perspective view of a pet door showing my new design;
FIG. 2 is a rear, left side, bottom perspective view thereof;
FIG. 3 is a front elevational view thereof;
FIG. 4 is a rear elevational view thereof;
FIG. 5 is a left side elevational view thereof, the right side elevational view thereof being substantially a mirror image;
FIG. 6 is a top plan view thereof, the bottom plan view thereof being substantially a mirror image; and,
FIG. 7 is an enlarged detailed view of the region circled 7 in FIG. 1.

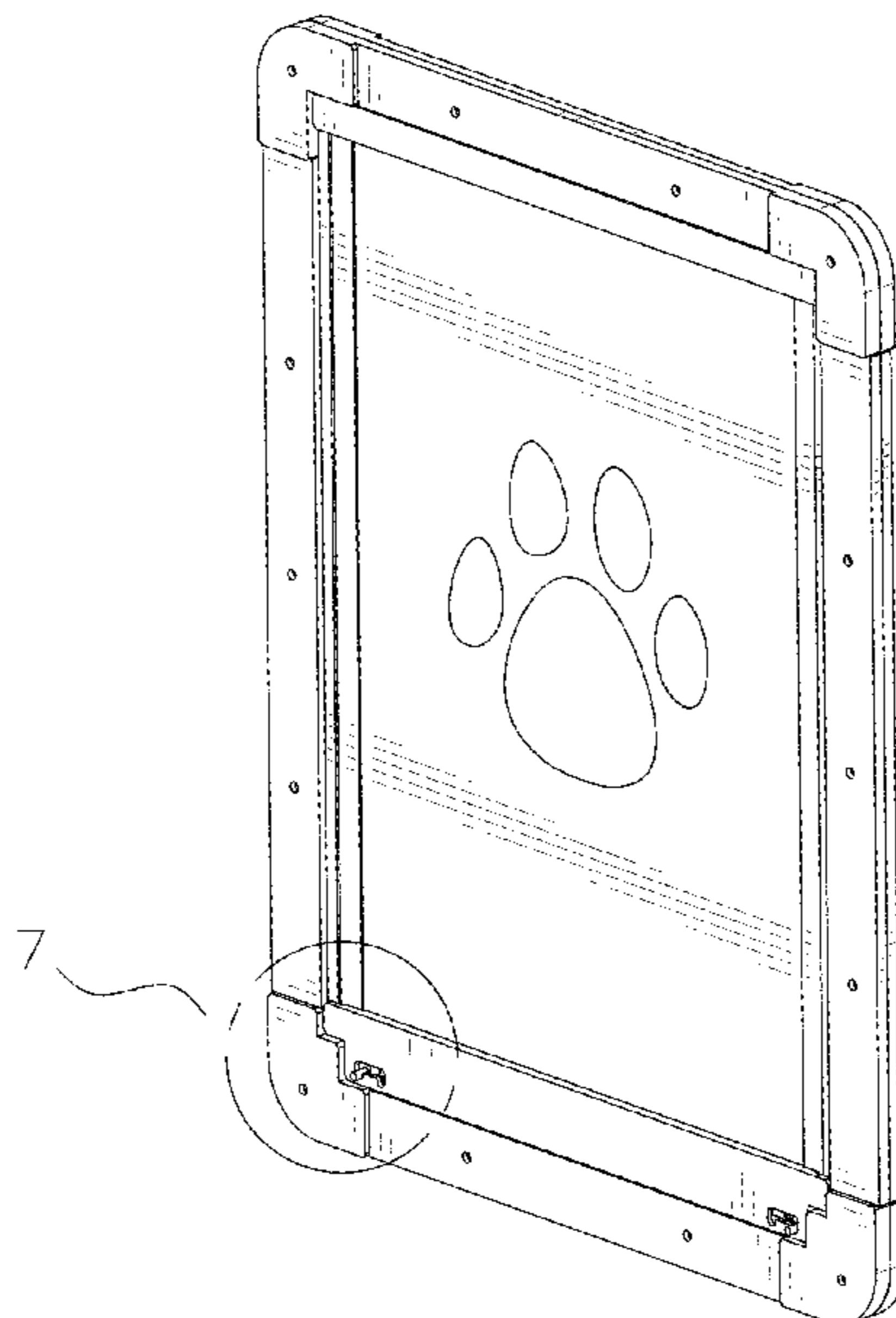
The broken lines depict portions of the pet door that form no part of the claimed design.

(56) **References Cited**

U.S. PATENT DOCUMENTS

D267,436 S * 12/1982 Thorne D25/48.3
5,117,890 A * 6/1992 Taylor E06B 7/32
160/180
D387,179 S 12/1997 Davlantes
5,946,856 A * 9/1999 Davlantes E06B 7/32
49/168
D448,088 S * 9/2001 McFee D25/48.3

1 Claim, 7 Drawing Sheets



(56)

References Cited

U.S. PATENT DOCUMENTS

2013/0305609 A1* 11/2013 Graves E05B 47/00
49/168
2016/0186485 A1* 6/2016 Taylor E05F 15/77
49/25
2018/0128043 A1* 5/2018 Liu G08B 3/1025
2019/0390509 A1* 12/2019 Chatterton G07C 9/00563

FOREIGN PATENT DOCUMENTS

EM 006929725-0001 * 10/2019
EM 008266639-0001 * 11/2020

* cited by examiner

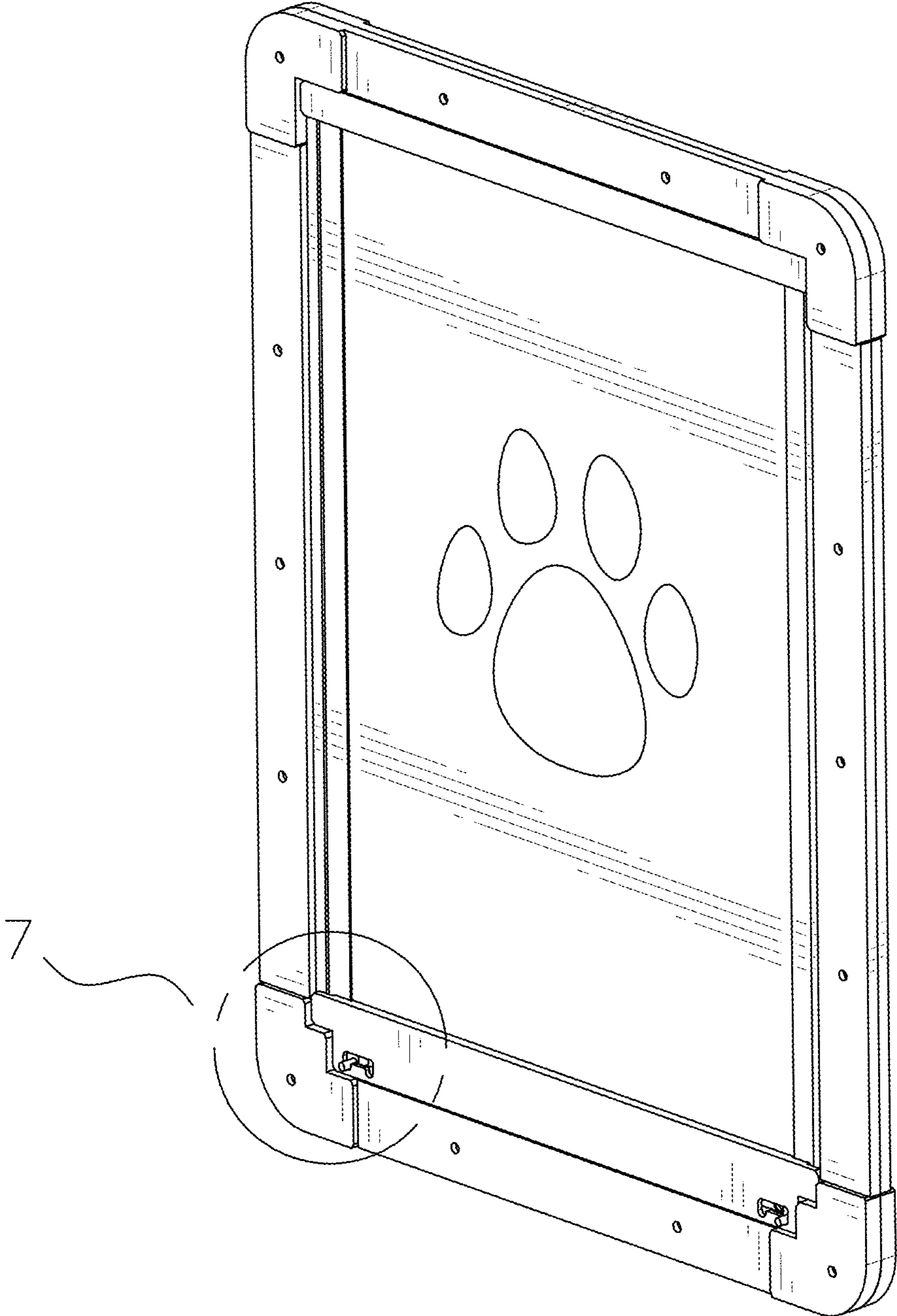


FIG.1

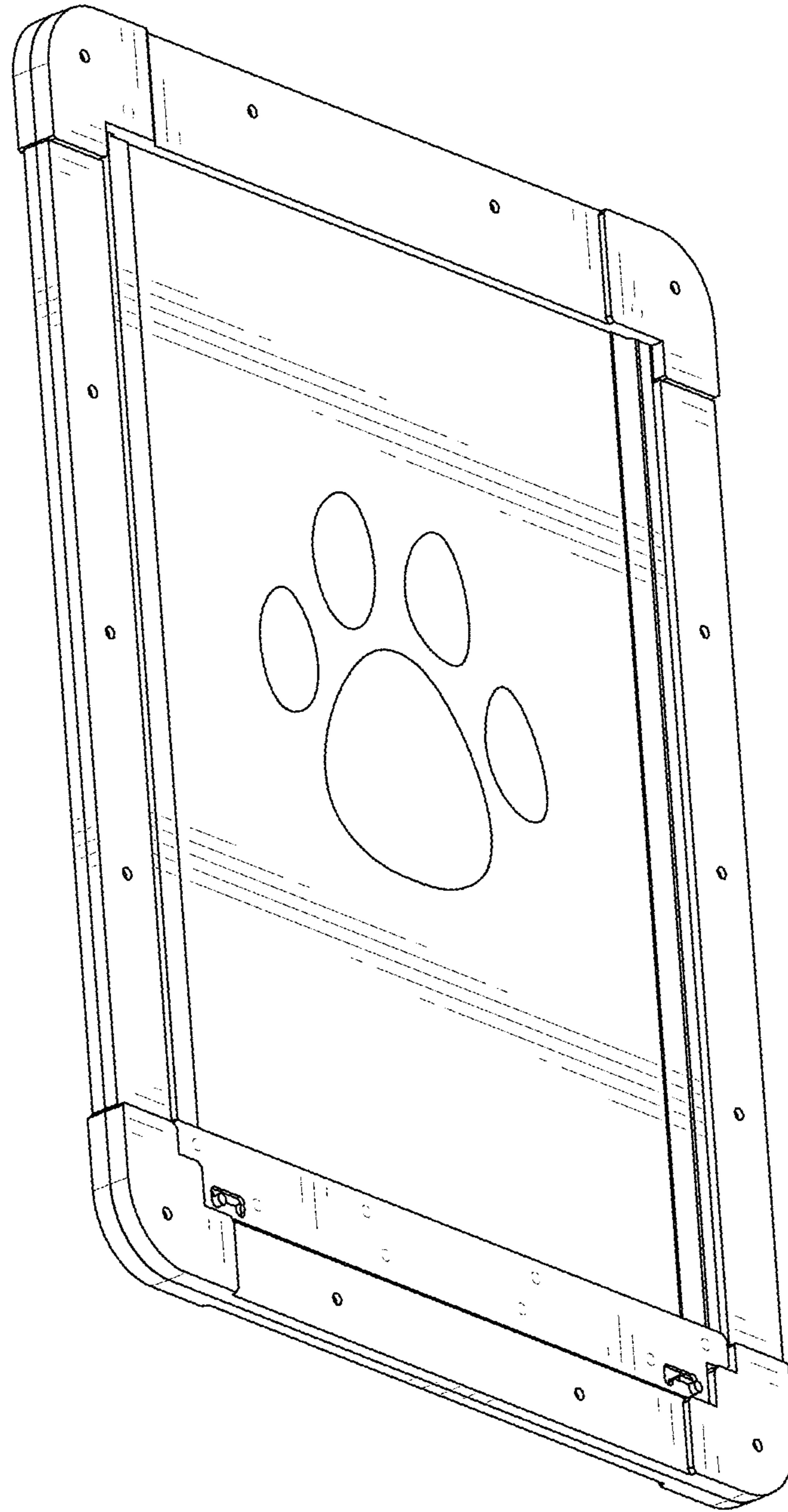


FIG.2

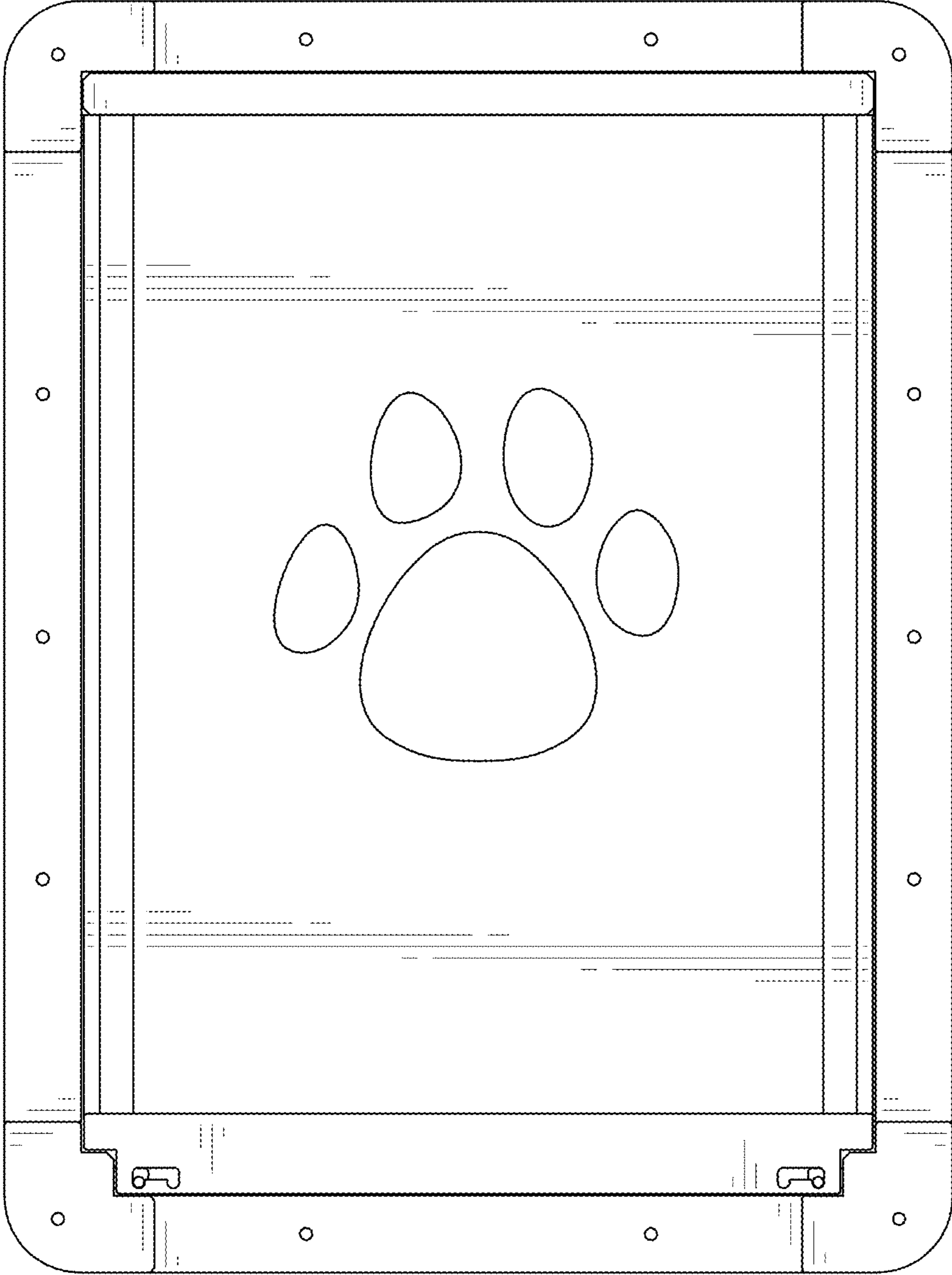


FIG.3

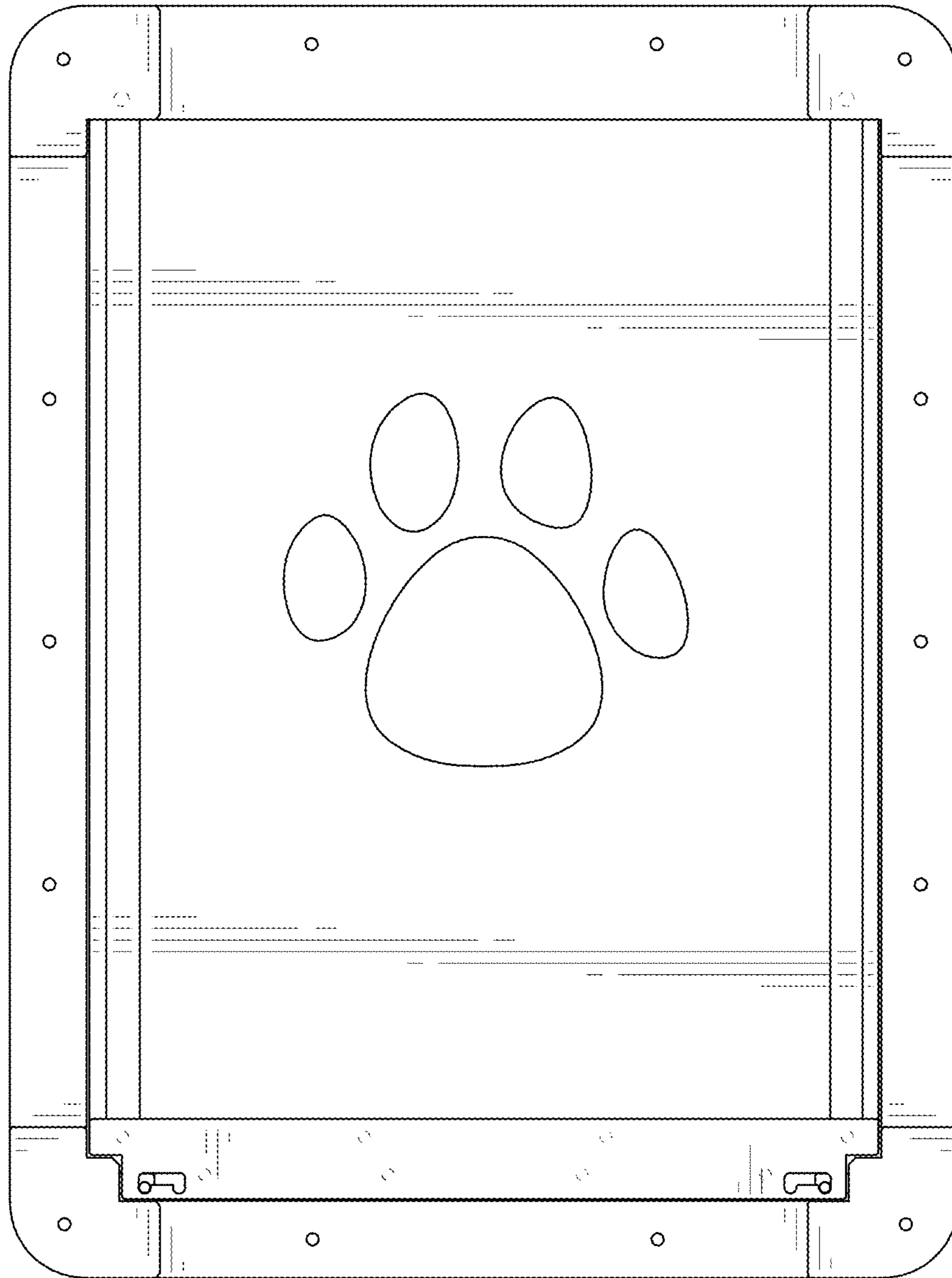


FIG.4

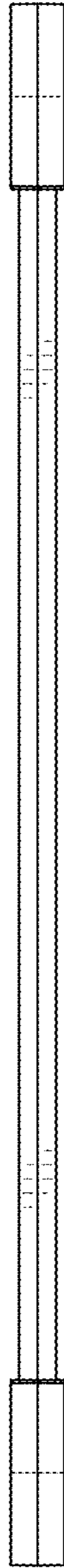


FIG.5

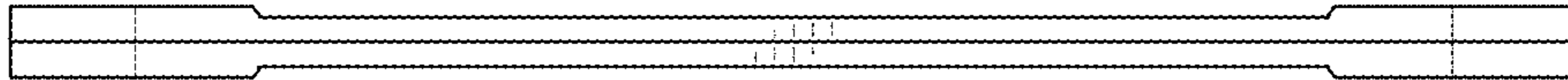


FIG.6

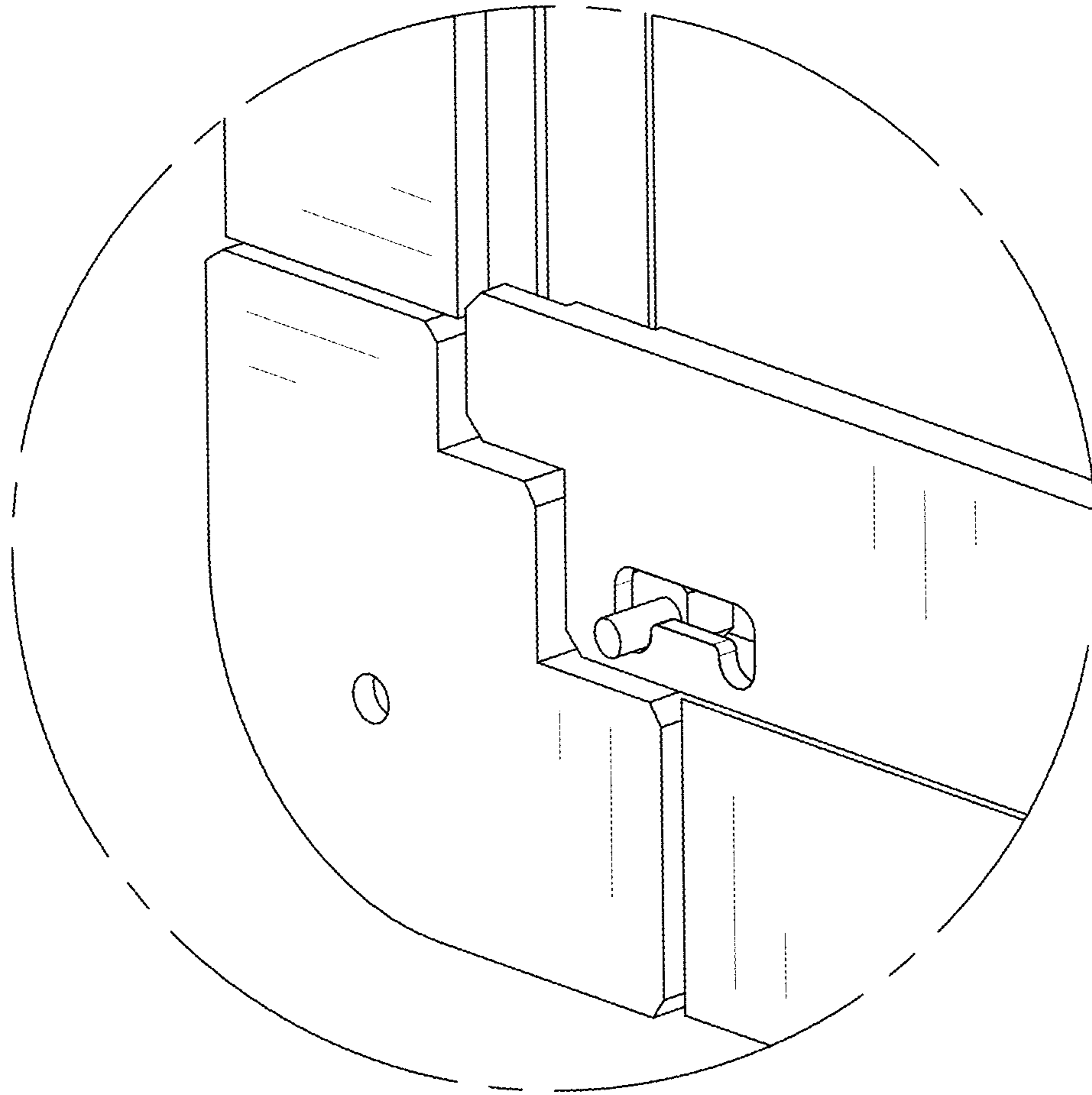


FIG.7