



US00D925058S

(12) **United States Design Patent**
Robinson et al.

(10) **Patent No.:** **US D925,058 S**

(45) **Date of Patent:** **** Jul. 13, 2021**

(54) **SAMPLE CUP**

(71) Applicant: **Devicor Medical Products, Inc.**,
Cincinnati, OH (US)

(72) Inventors: **Andrew Robinson**, Cincinnati, OH
(US); **Rachel Yoon Chung**, Studio
City, CA (US)

(73) Assignee: **Devicor Medical Products, Inc.**,
Cincinnati, OH (US)

(**) Term: **15 Years**

(21) Appl. No.: **29/661,947**

(22) Filed: **Aug. 31, 2018**

(51) **LOC (13) Cl.** **24-01**

(52) **U.S. Cl.**

USPC **D24/216**

(58) **Field of Classification Search**

USPC D24/216, 219, 220, 222, 224, 225, 226,
D24/227, 229, 223, 101, 103, 104, 107

CPC A61B 5/150022; A61B 5/15; A61B
5/150358; A61B 10/02; B01L 3/5635;
B01L 3/5082; B01L 3/5021

See application file for complete search history.

(56) **References Cited**

U.S. PATENT DOCUMENTS

D420,744 S *	2/2000	Ostgaard	D24/224
D522,145 S *	5/2006	Best	D10/81
D565,741 S *	4/2008	Vincent	B01L 3/52
				D24/216
D580,068 S *	11/2008	Shigesada	D24/216
D759,836 S *	6/2016	Wainwright	D24/224
D795,723 S *	8/2017	Herbst	D10/81
D801,545 S *	10/2017	Wiesli	D24/224

10,028,730 B2	7/2018	Fiebig et al.	
10,064,607 B2	9/2018	Keller et al.	
D836,014 S *	12/2018	Staton D10/81
D857,226 S *	8/2019	Liang D24/224
D864,774 S *	10/2019	Lei D10/81
10,729,856 B1 *	8/2020	Nock A61B 10/0096
2015/0327842 A1	11/2015	Rhad et al.	
2016/0166331 A1	6/2016	Leimbach et al.	
2017/0311935 A1	11/2017	Choung et al.	
2018/0153524 A1	6/2018	Nock et al.	
2018/0153526 A1	6/2018	Nock et al.	
2018/0153529 A1	6/2018	Nock et al.	
2018/0242959 A1	8/2018	Keller	
2018/0325500 A1	11/2018	Shuart et al.	
2018/0325501 A1	11/2018	Robinson et al.	

* cited by examiner

Primary Examiner — Lilyana Bekic

Assistant Examiner — Mary Shannon Malley

(74) *Attorney, Agent, or Firm* — Frost Brown Todd LLC

(57) **CLAIM**

The ornamental design for a sample cup, as shown and described.

DESCRIPTION

FIG. 1 is a top perspective view of a sample cup, showing our new design;

FIG. 2 is a bottom perspective view thereof;

FIG. 3 is a rear elevation view thereof;

FIG. 4 is a front elevation view thereof;

FIG. 5 is a left elevation view thereof;

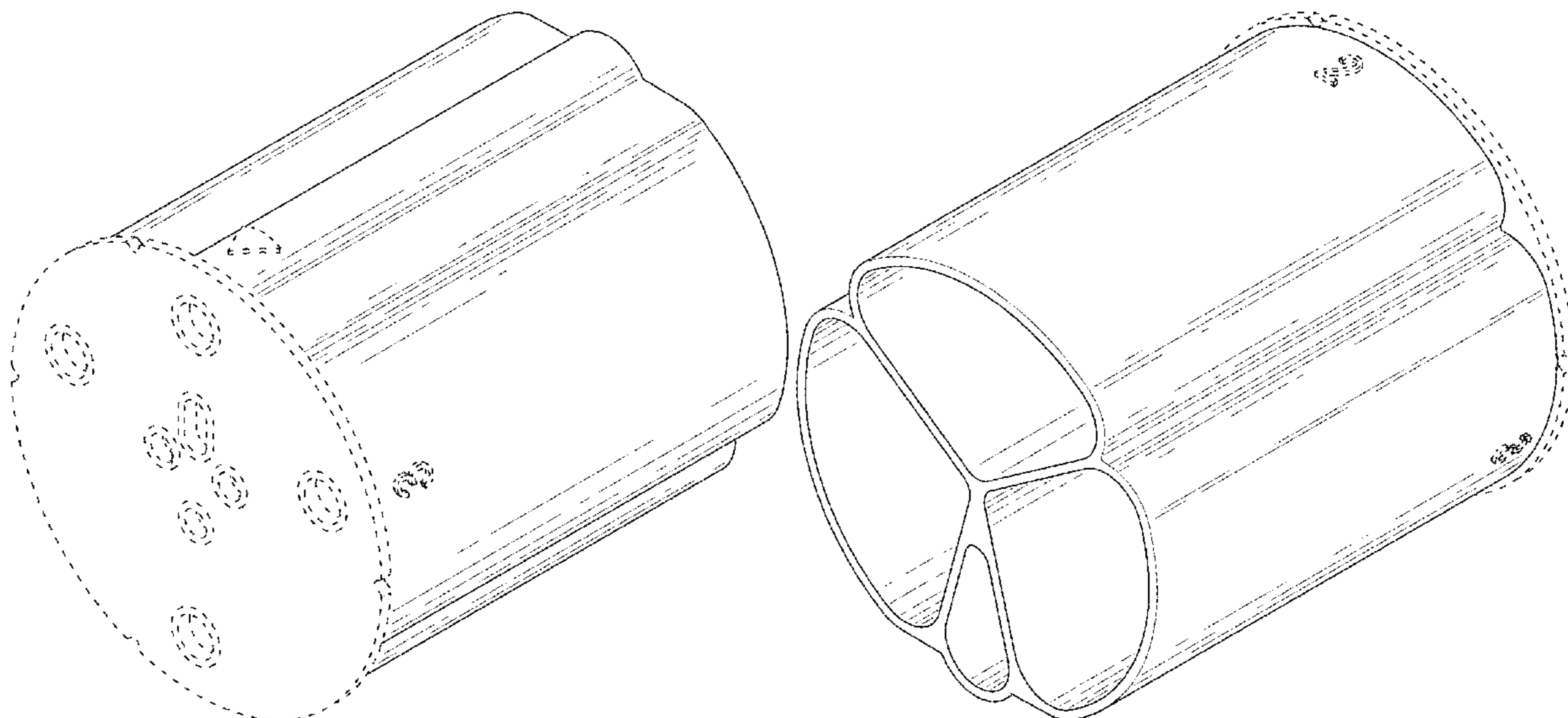
FIG. 6 is a right elevation view thereof;

FIG. 7 is a top plan view thereof; and,

FIG. 8 is a bottom plan view thereof.

The broken lines illustrate portions of the sample cup that form no part of the claimed design.

1 Claim, 6 Drawing Sheets



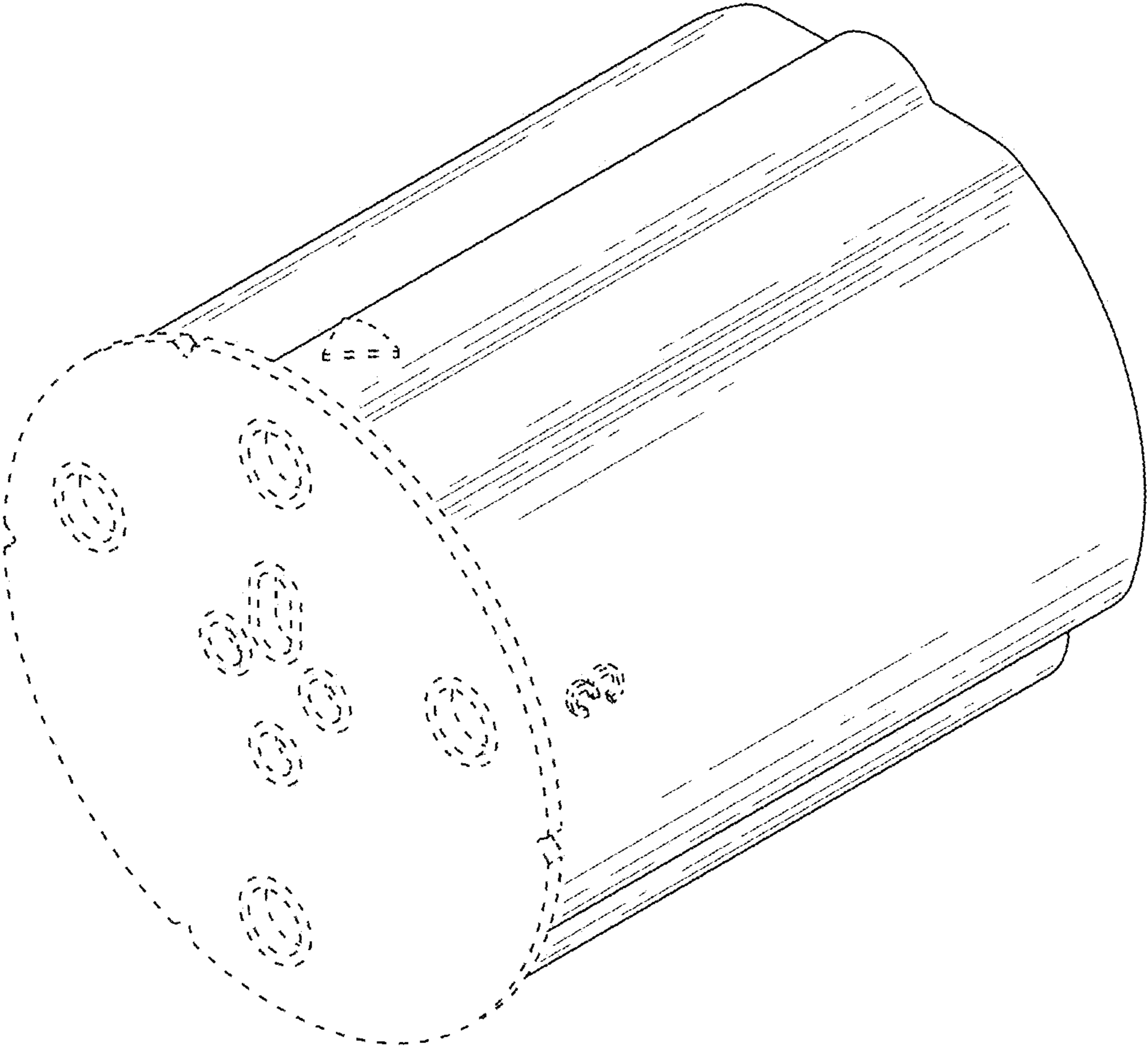


FIG. 1

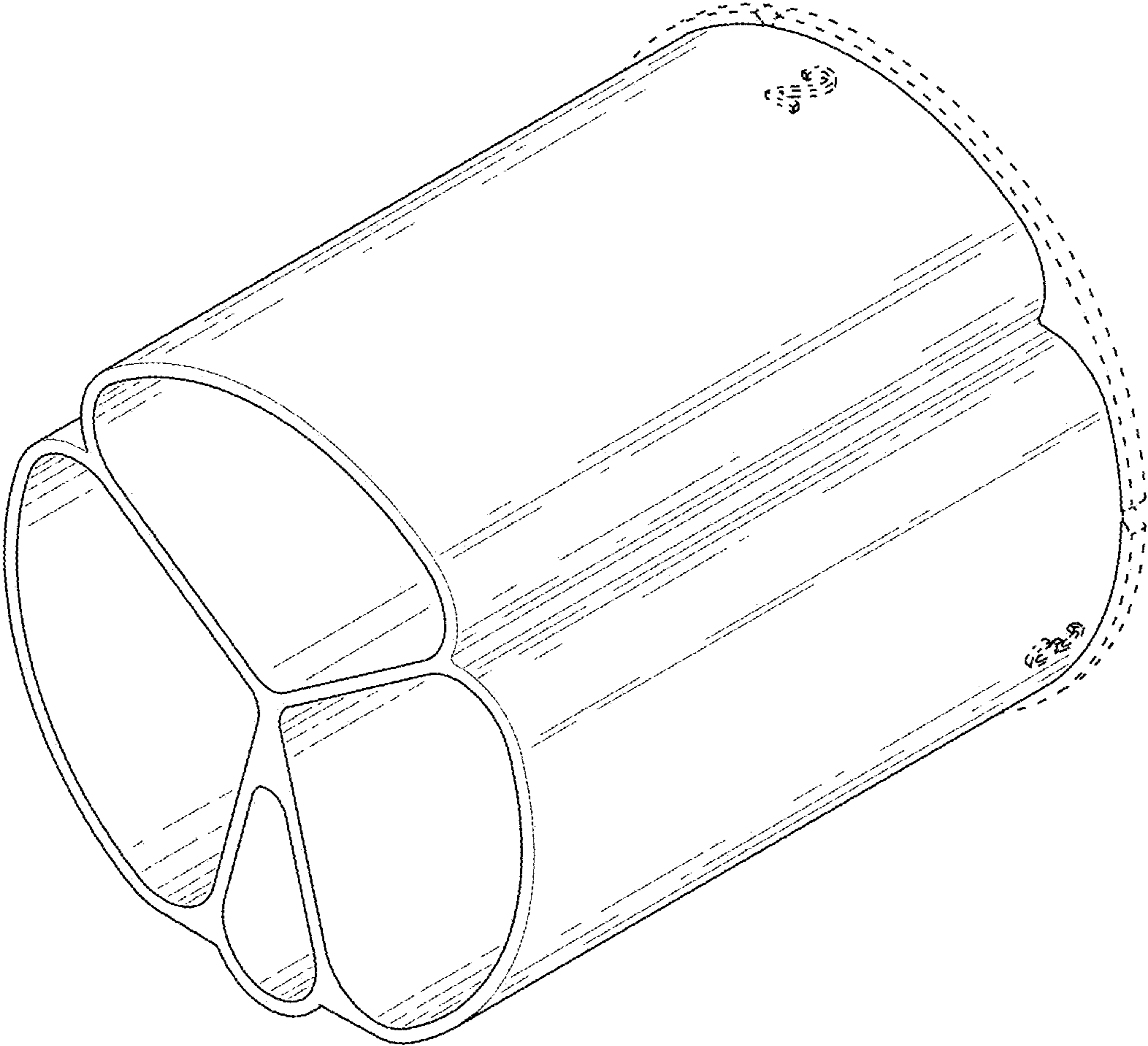


FIG. 2

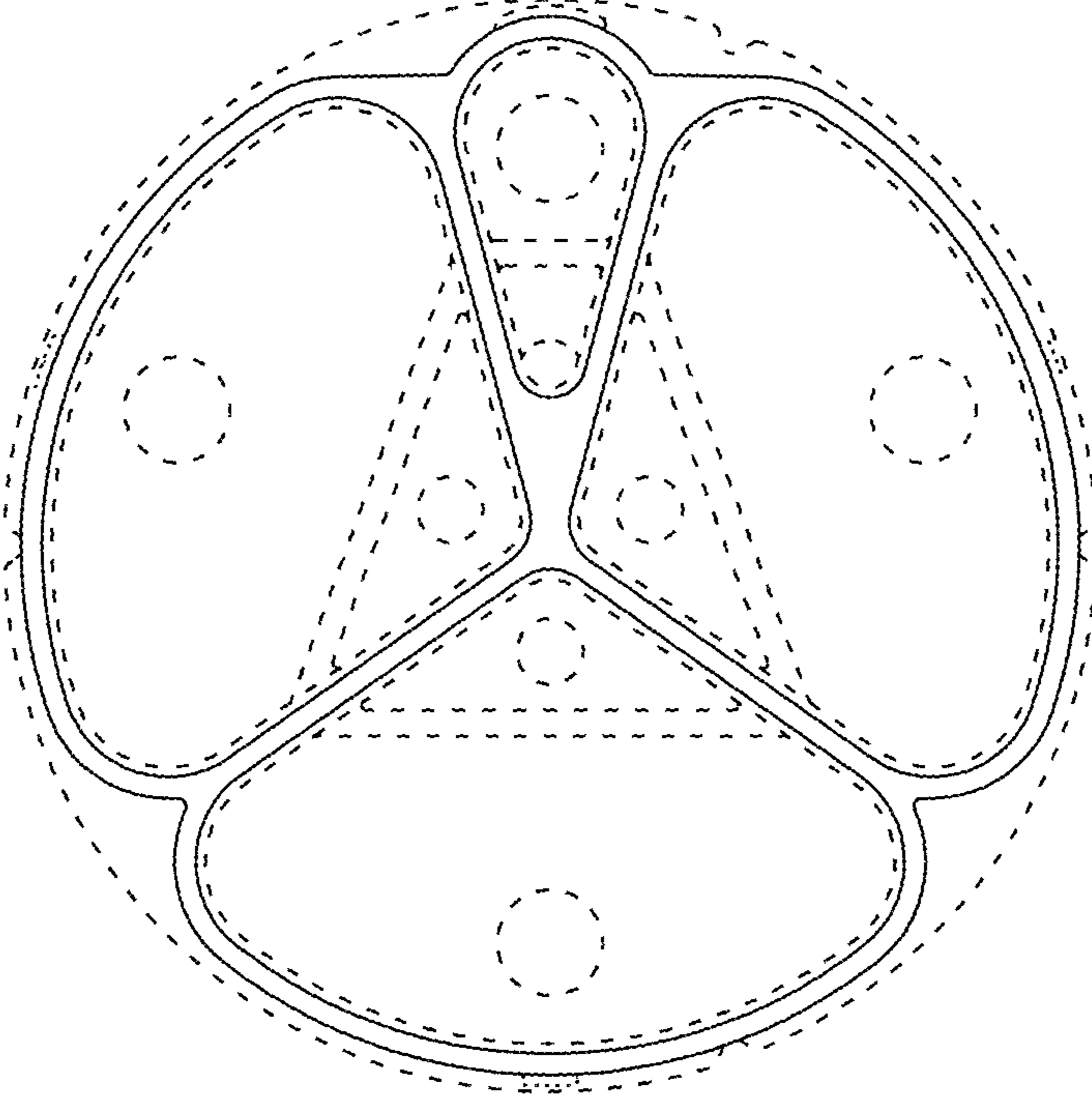


FIG. 3

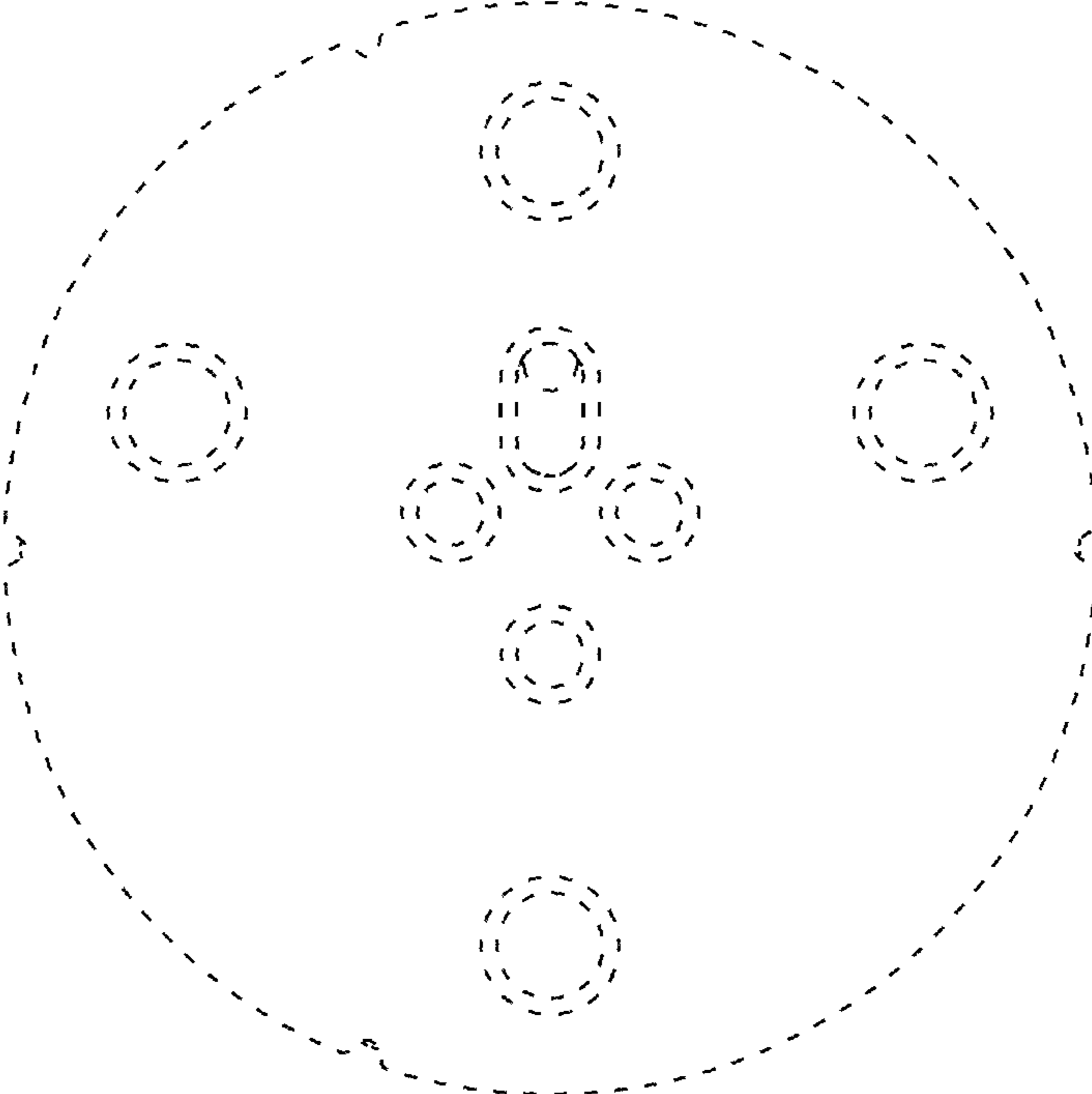


FIG. 4



FIG. 5



FIG. 6

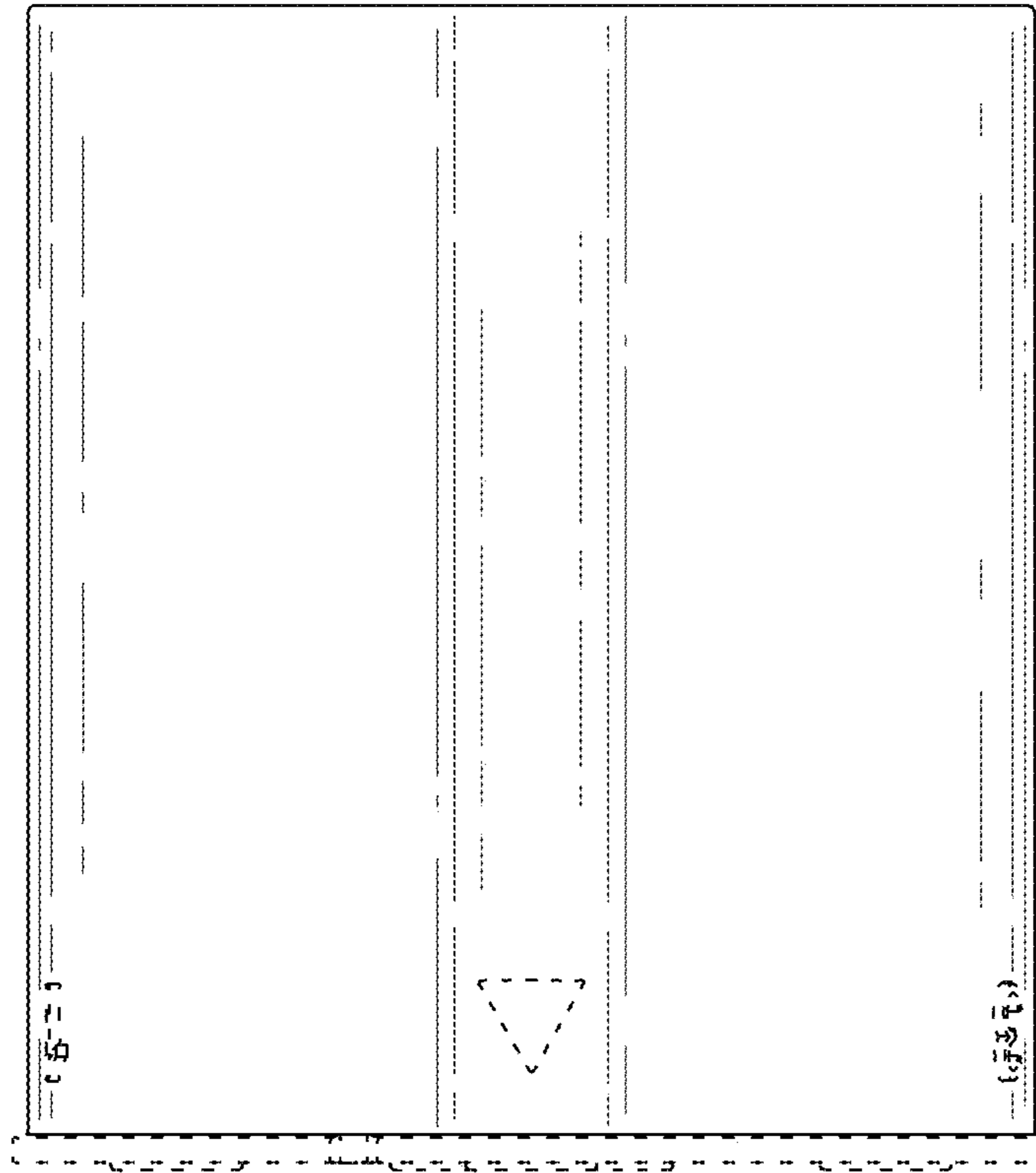


FIG. 7

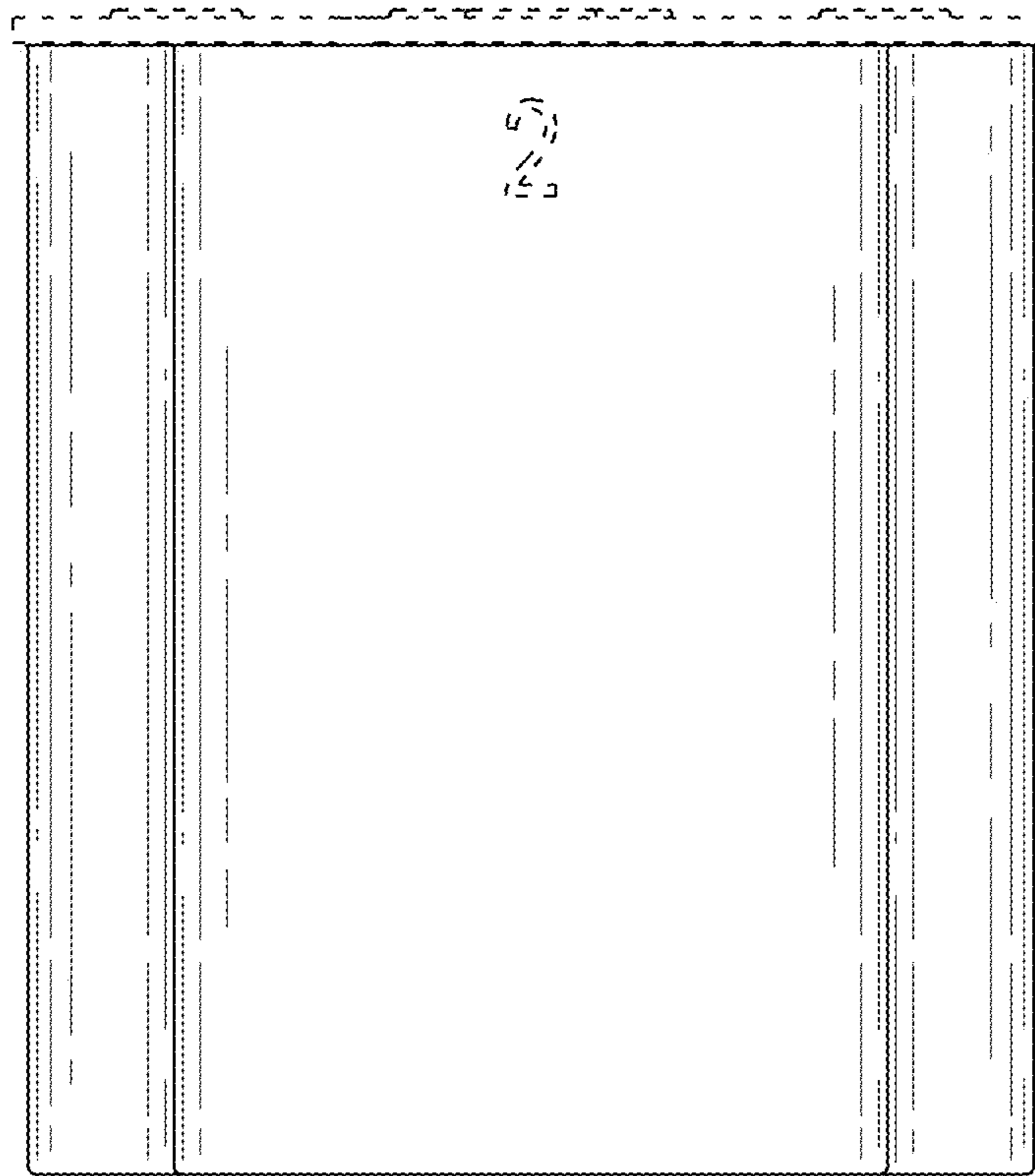


FIG. 8