



US00D925053S

(12) **United States Design Patent** (10) **Patent No.:** **US D925,053 S**  
**Callow** (45) **Date of Patent:** **\*\* Jul. 13, 2021**

(54) **COMBINED CONTOURED DILDO AND HARNESS PLATE**  
(71) Applicant: **Perfect Fit Brand, Inc.**, Boca Raton, FL (US)  
(72) Inventor: **Stephen Callow**, Fort Lauderdale, FL (US)  
(\*\*) Term: **15 Years**  
(21) Appl. No.: **29/694,071**  
(22) Filed: **Jun. 7, 2019**

D840,548 S \* 2/2019 Page ..... D24/215  
10,449,111 B1 \* 10/2019 Callow ..... A61H 1/00  
D877,352 S \* 3/2020 Jouffret ..... D24/215  
D879,991 S \* 3/2020 Li ..... D24/215  
D882,816 S \* 4/2020 Dumler ..... D24/215  
D893,739 S \* 8/2020 Li ..... D24/215  
2008/0091127 A1 \* 4/2008 Nan ..... A61H 19/34  
601/60  
2009/0069629 A1 \* 3/2009 Uson Calvo ..... A61H 19/34  
600/38  
2009/0105529 A1 \* 4/2009 Crarer ..... A61H 19/32  
600/38  
2012/0116273 A1 \* 5/2012 Nan ..... A61H 19/34  
601/46

(Continued)

**Related U.S. Application Data**

(63) Continuation of application No. 14/670,370, filed on Mar. 26, 2015.  
(51) **LOC (13) Cl.** ..... **28-03**  
(52) **U.S. Cl.**  
USPC ..... **D24/215**  
(58) **Field of Classification Search**  
USPC ..... D24/190, 200, 213, 214, 215  
CPC ..... A61H 19/30; A61H 19/40; A61H 2201/1692; A61H 2205/087  
See application file for complete search history.

**References Cited**

**U.S. PATENT DOCUMENTS**

D557,806 S \* 12/2007 Gromosaik ..... D24/105  
D604,425 S \* 11/2009 Stewart ..... D24/214  
D621,505 S \* 8/2010 Gabbay ..... D24/141  
D706,438 S \* 6/2014 Hahr ..... D24/215  
D706,439 S \* 6/2014 Hahr ..... D24/215  
D719,665 S \* 12/2014 Callow ..... D24/214  
D725,283 S \* 3/2015 Sedic ..... D24/215  
D742,025 S \* 10/2015 Callow ..... D24/214  
D750,797 S \* 3/2016 Mannheim ..... D24/215  
D773,066 S \* 11/2016 Sedic ..... D24/215  
D808,034 S \* 1/2018 Matsuura ..... D24/215  
D809,150 S \* 1/2018 Nolasco ..... D24/215  
D824,037 S \* 7/2018 Yueh ..... D24/215

**OTHER PUBLICATIONS**

Amazon, "PerfectFit Zoro Knight Strap On", Apr. 5, 2018. [https://www.amazon.com/Perfect-Fit-Zoro-Knight-Clear/dp/B01N0TIICA/ref=cm\\_cr\\_ar\\_p\\_d\\_product\\_top?ie=UTF8](https://www.amazon.com/Perfect-Fit-Zoro-Knight-Clear/dp/B01N0TIICA/ref=cm_cr_ar_p_d_product_top?ie=UTF8). Shown on p. 1. (Year: 2018).\*

*Primary Examiner* — Cynthia Ramirez  
*Assistant Examiner* — Michael A Maharajh  
(74) *Attorney, Agent, or Firm* — Assouline & Berlowe, P.A.; Peter A. Koziol, Esq.

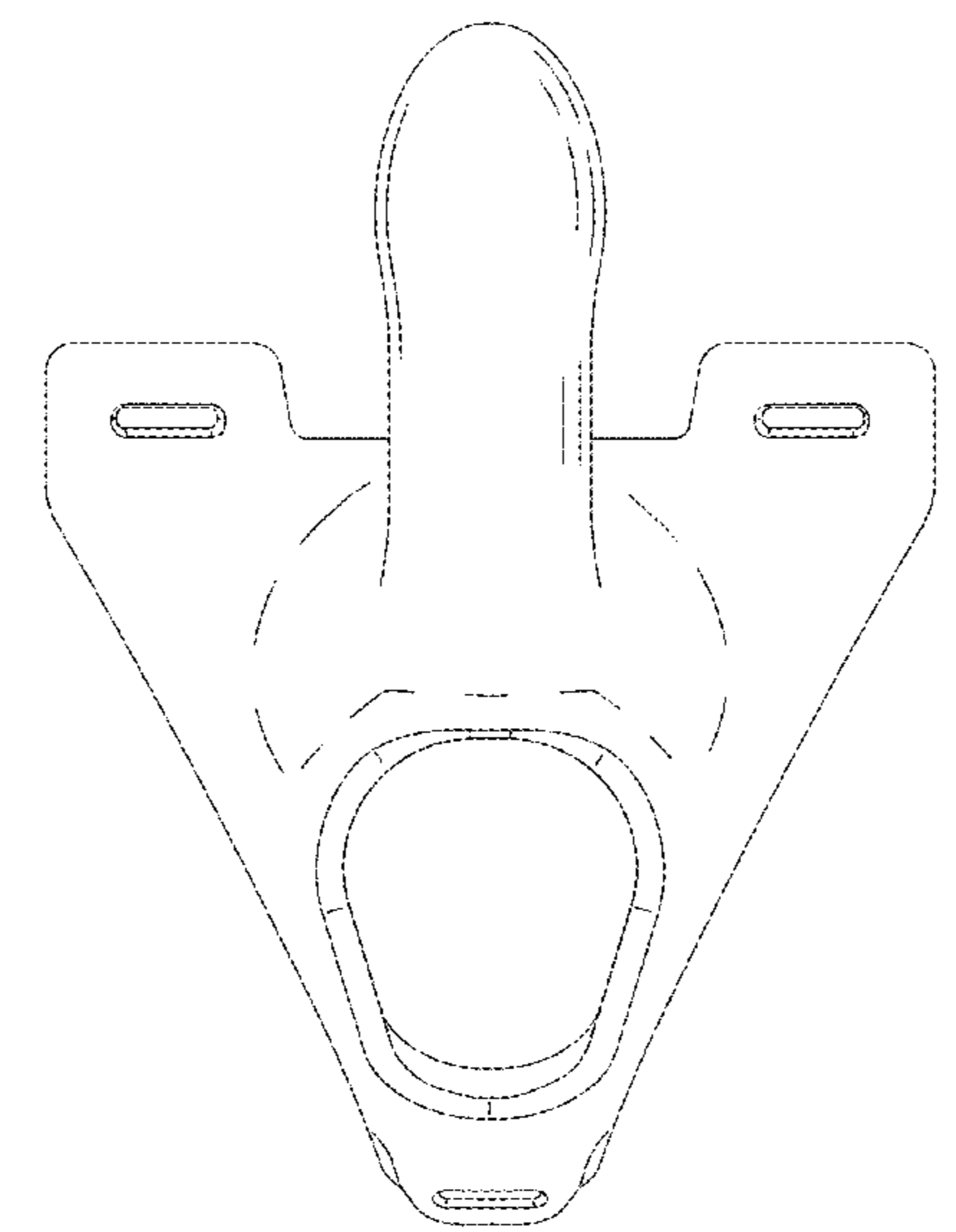
**CLAIM**

(57) The ornamental design for a combined contoured dildo and harness, as shown and described.

**DESCRIPTION**

FIG. 1 is a front view of the combined contoured dildo and harness plate, showing my new design;  
FIG. 2 is a rear view thereof;  
FIG. 3 is a side view thereof;  
FIG. 4 is a top view thereof;  
FIG. 5 is a bottom view thereof;  
FIG. 6 is a front perspective view thereof; and,  
FIG. 7 is a rear perspective view thereof.

**1 Claim, 6 Drawing Sheets**



(56)

**References Cited**

U.S. PATENT DOCUMENTS

2014/0228629	A1*	8/2014	Baetica .....	A61H 23/00 600/38
2015/0157531	A1*	6/2015	Sedic .....	A61H 19/32 601/46
2016/0279019	A1*	9/2016	Callow .....	A61H 19/32
2017/0042758	A1*	2/2017	Cregan .....	A61H 23/02
2018/0116904	A1*	5/2018	Lieberman .....	A61H 23/02
2018/0185237	A1*	7/2018	Baetica .....	G08C 17/02
2018/0193620	A1*	7/2018	Barasch .....	A61H 19/32
2019/0274868	A1*	9/2019	Callow .....	A61F 5/41
2020/0268595	A1*	8/2020	Lewis .....	A61H 19/30

\* cited by examiner

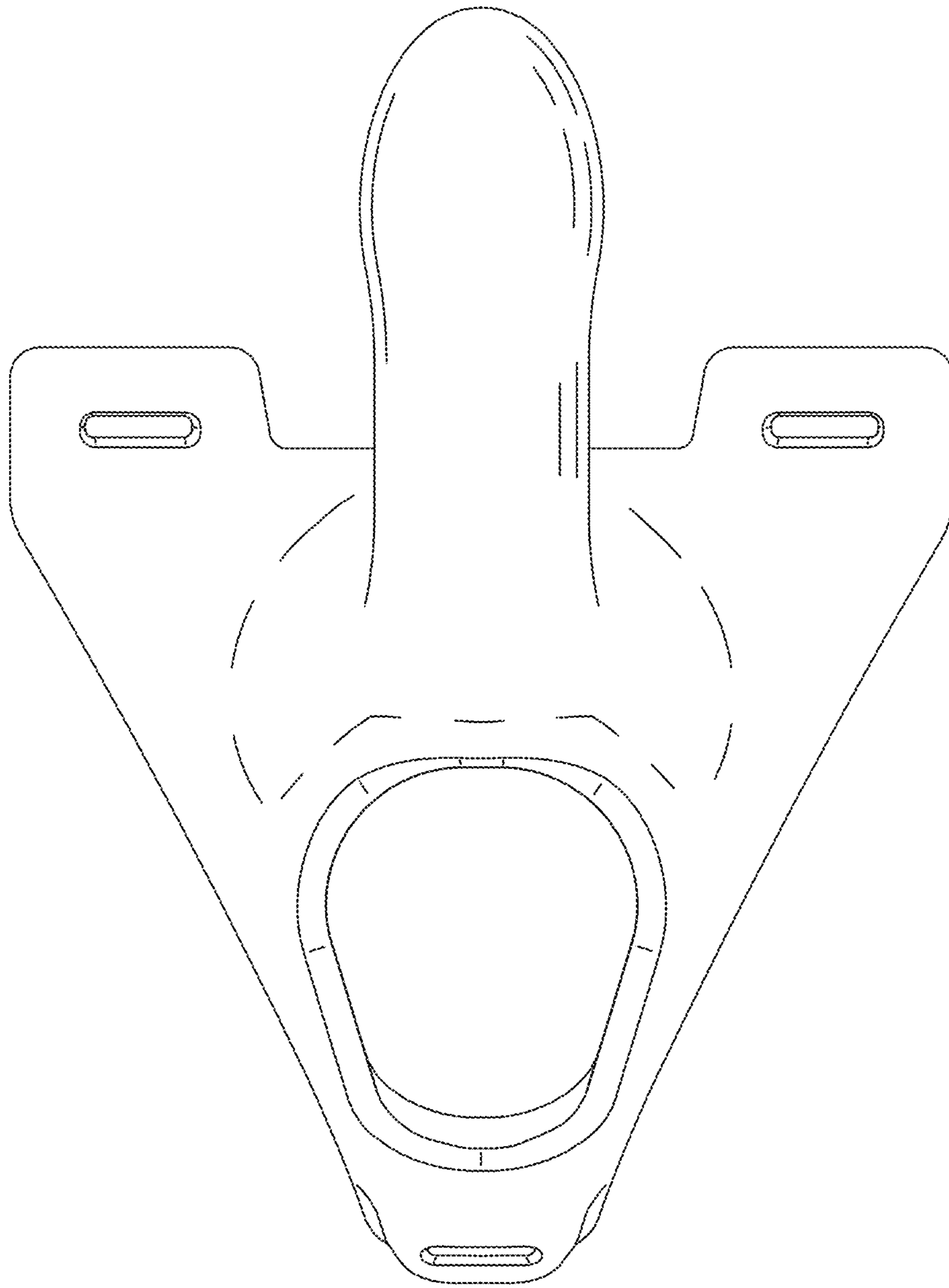


Fig. 1

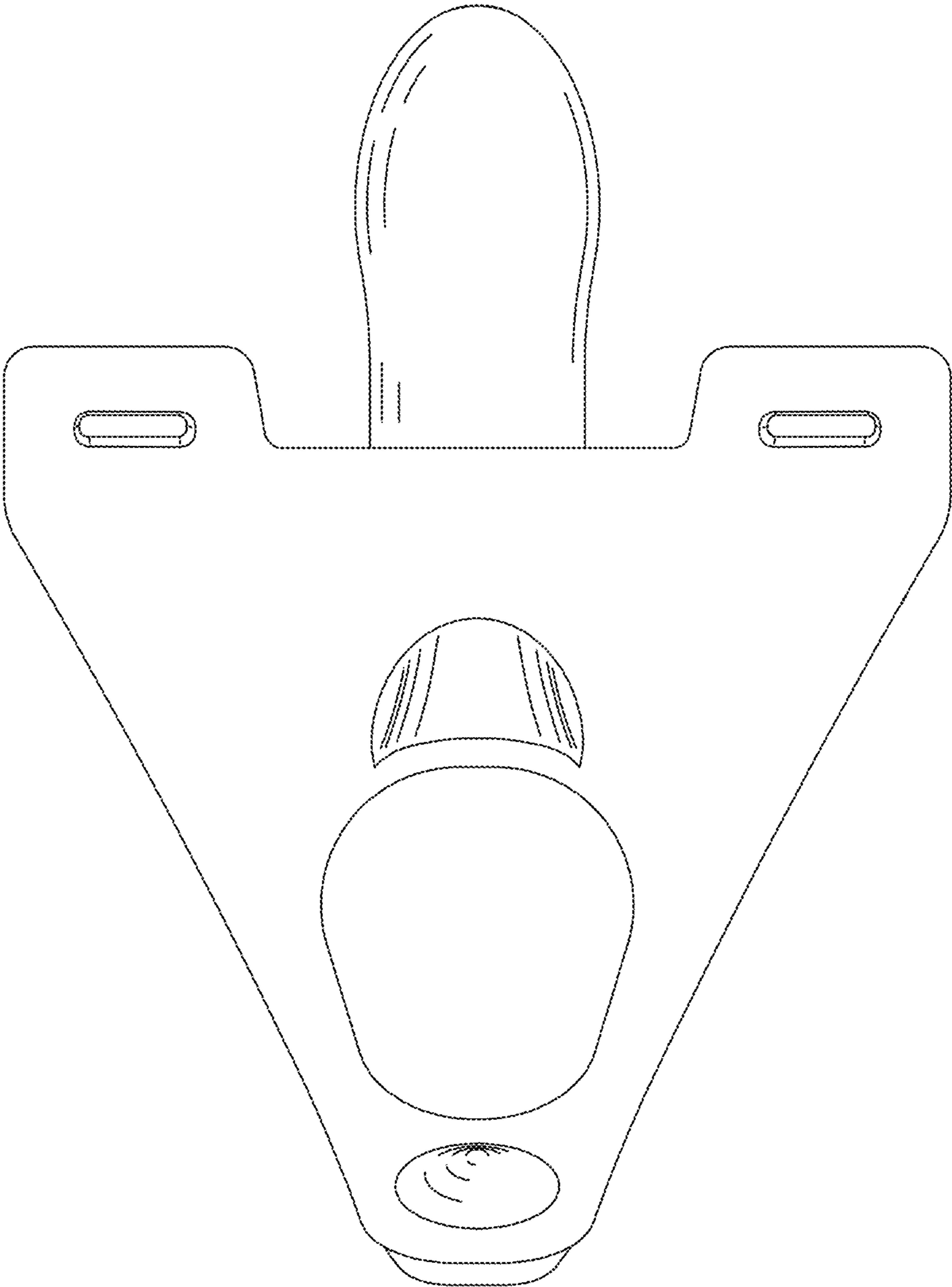


Fig. 2

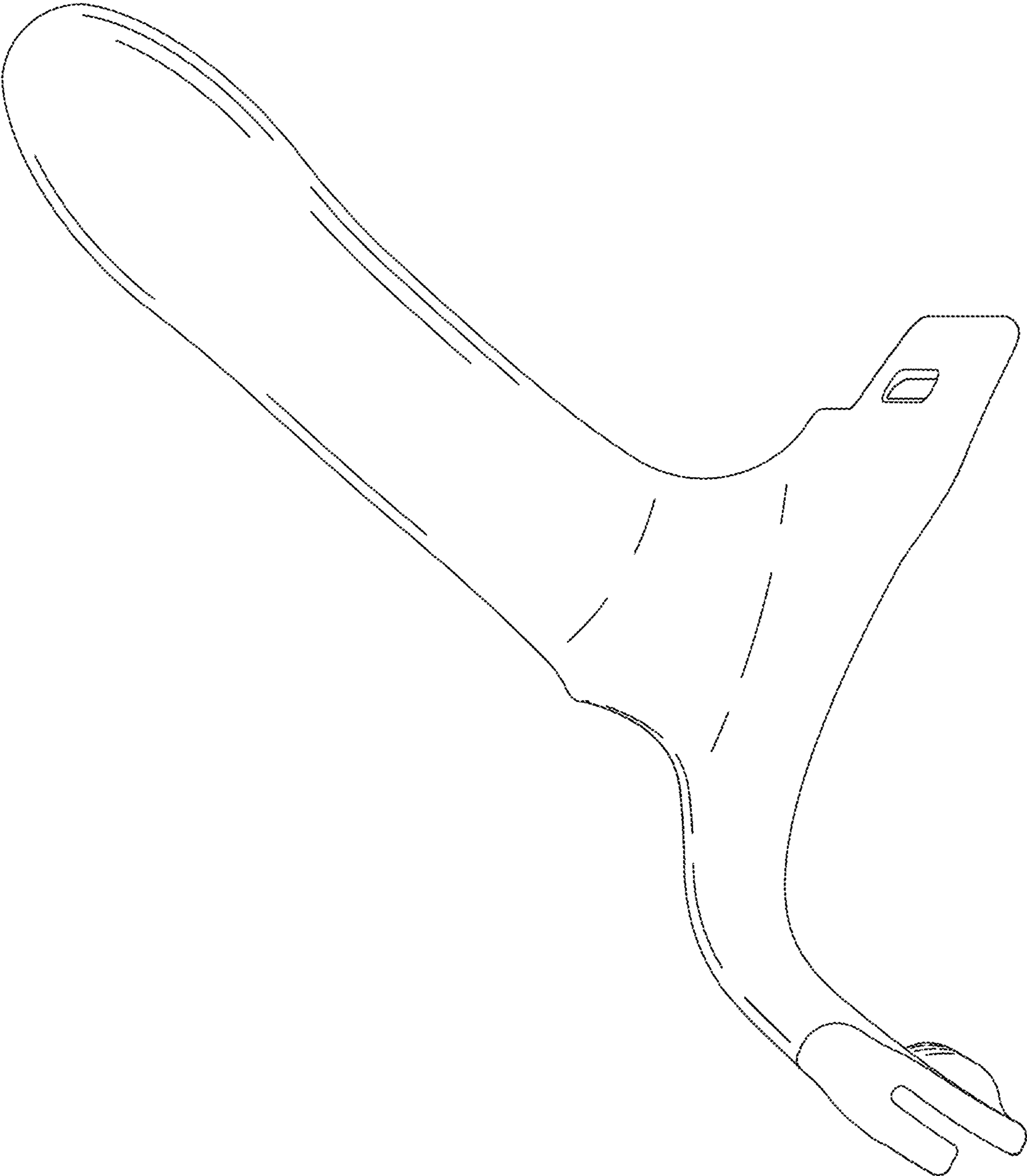


Fig. 3

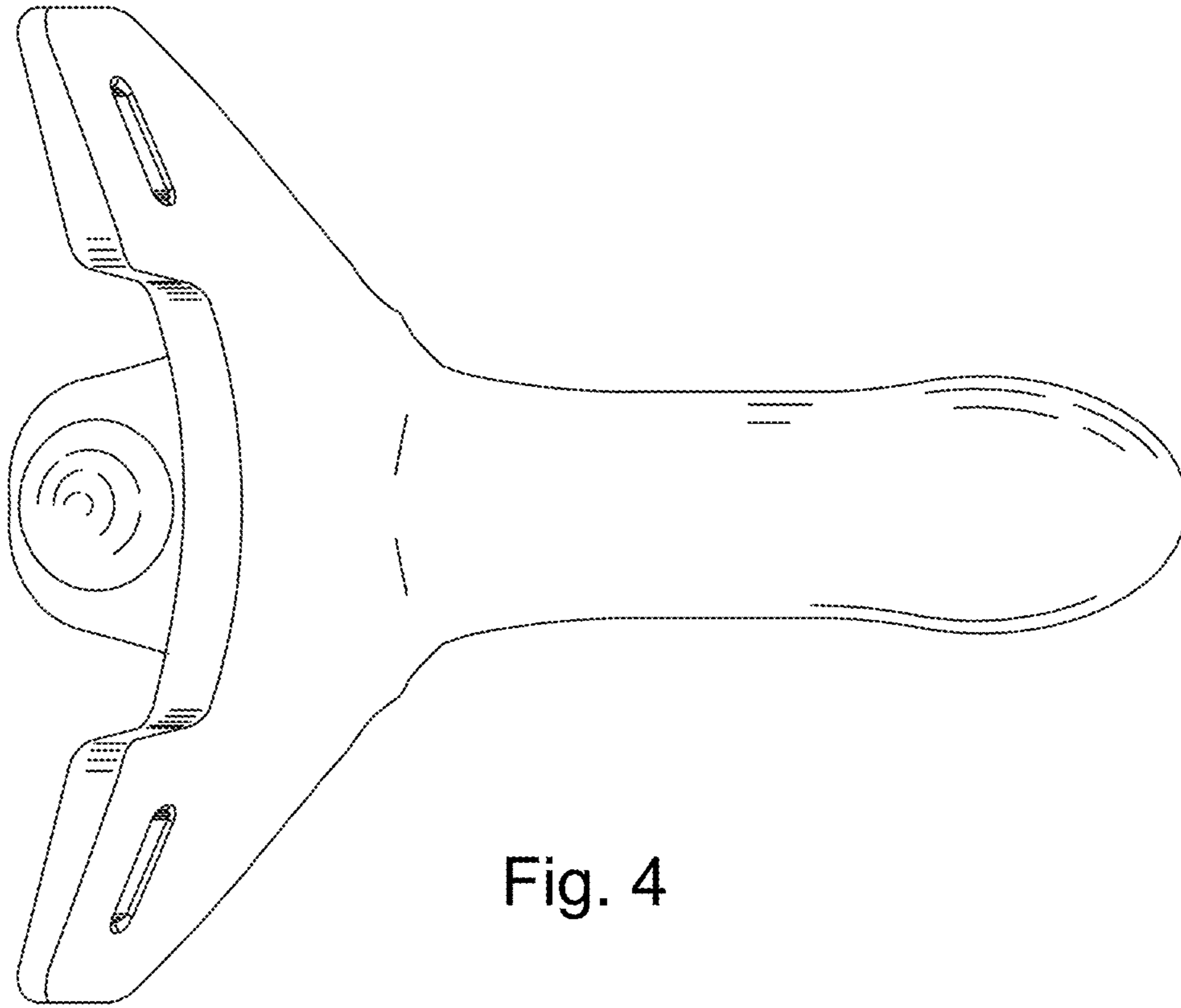


Fig. 4

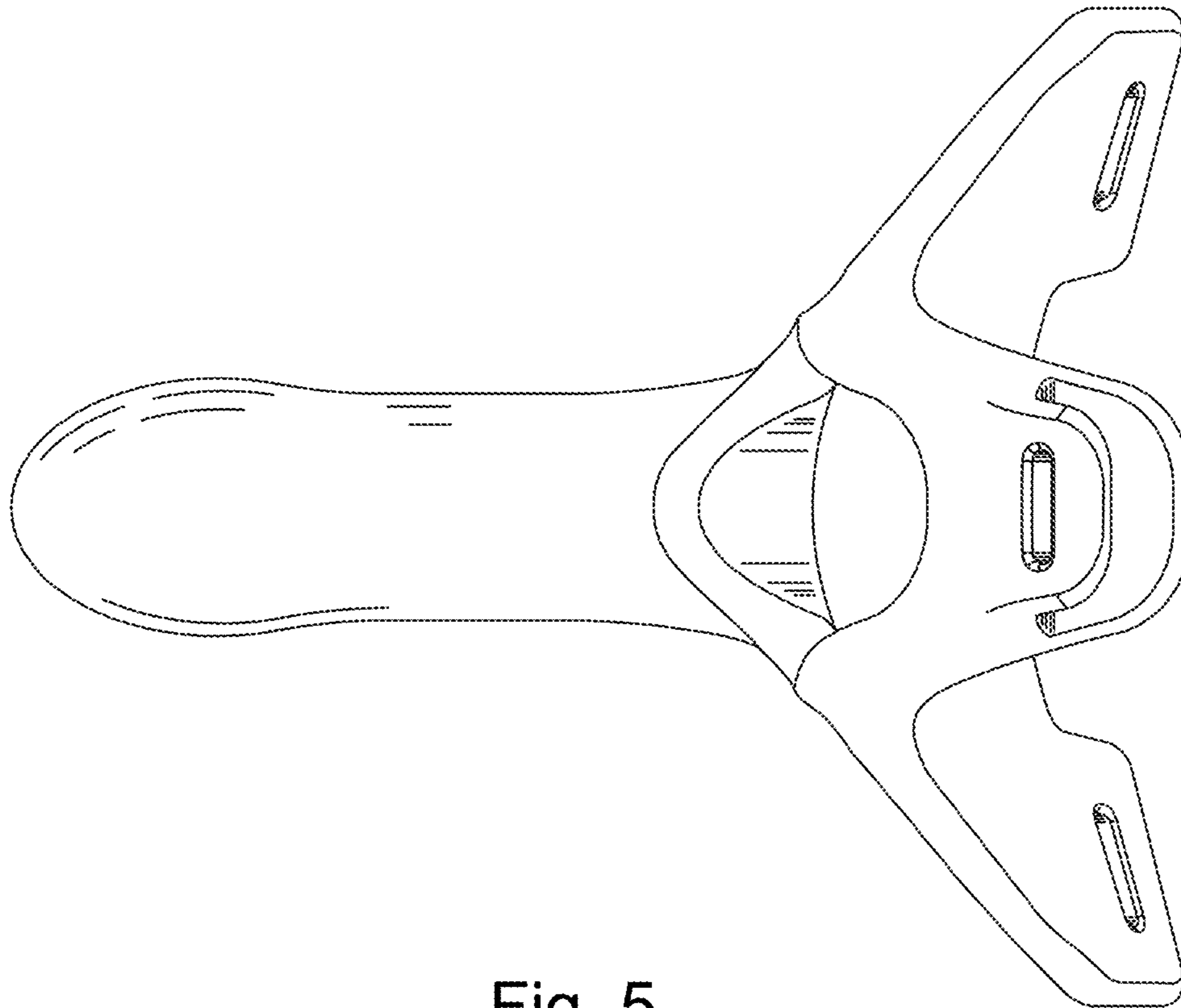


Fig. 5

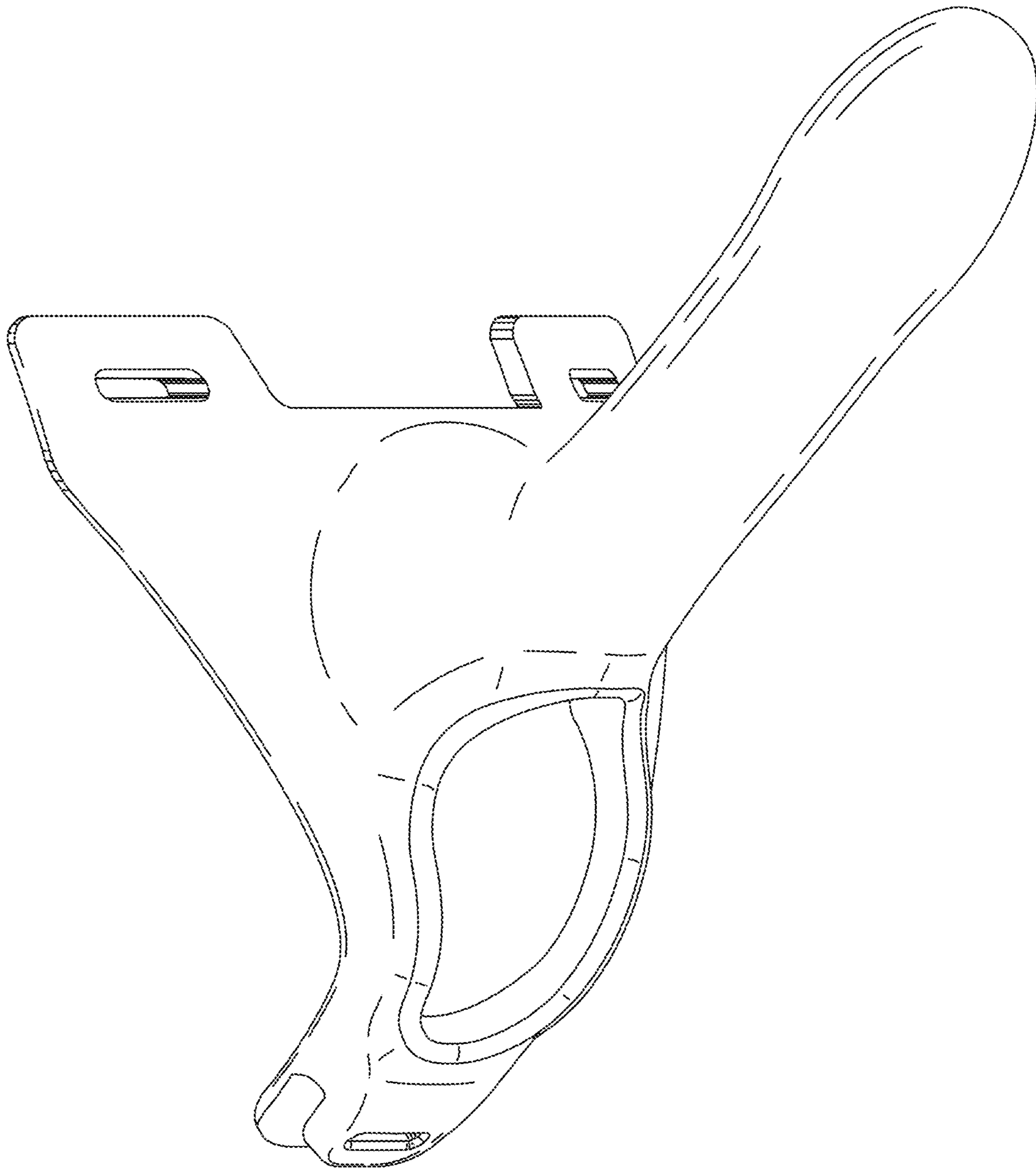


Fig. 6

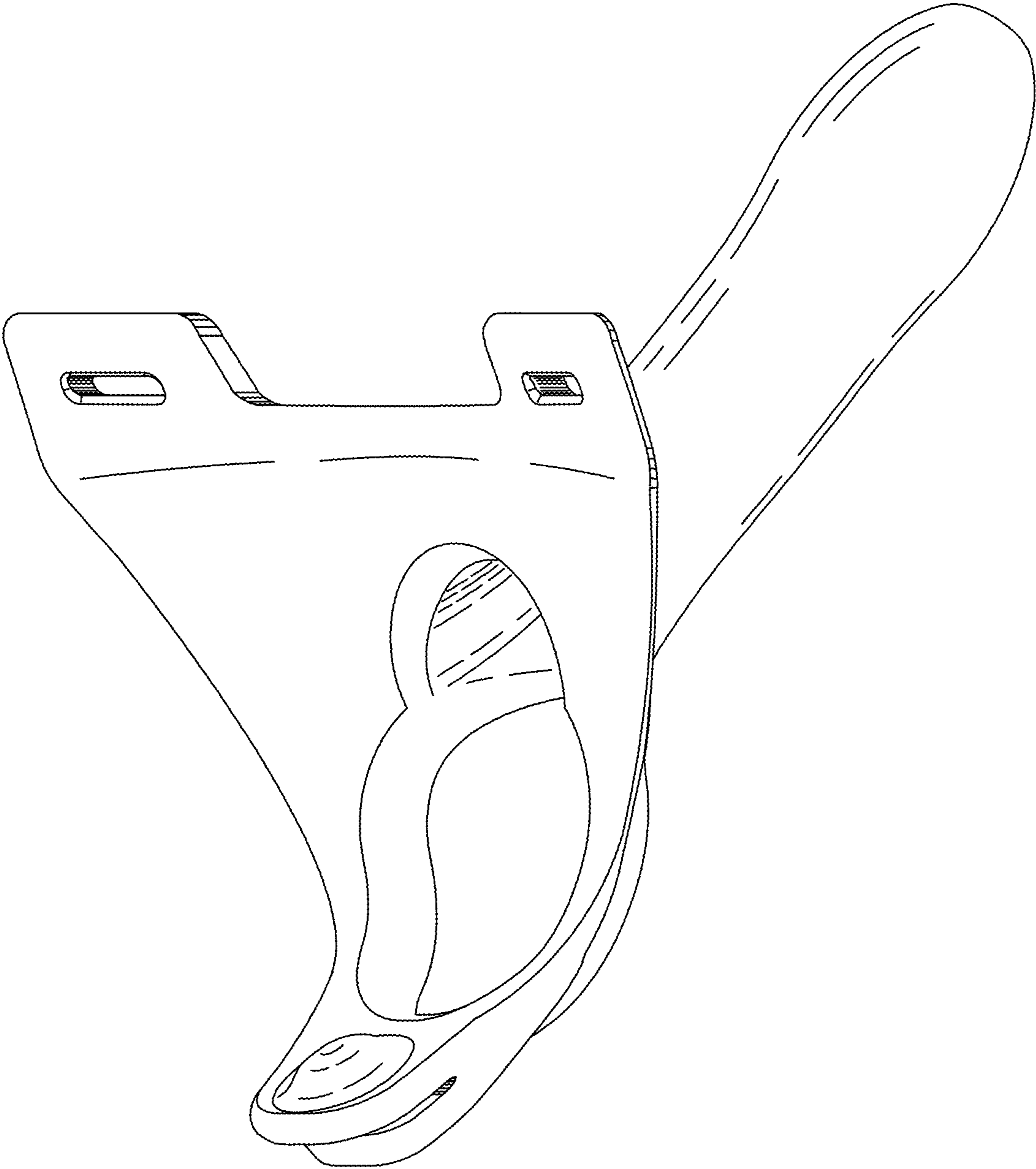


Fig. 7