



US00D925052S

(12) **United States Design Patent** (10) **Patent No.:** **US D925,052 S**
Sheng (45) **Date of Patent:** **** Jul. 13, 2021**

(54) **FOOT BATH**

FOREIGN PATENT DOCUMENTS

(71) Applicant: **SHENZHEN SAILVAN ECOMMERCE CO., LTD.**, Shenzhen (CN)

CN 305872530 * 1/2020
CN 305872536 * 1/2020

(72) Inventor: **Huanchang Sheng**, Shenzhen (CN)

OTHER PUBLICATIONS

(73) Assignee: **SAILVAN TIMES CO., LTD.**, Shenzhen (CN)

ACEVIVI Foot Spa Bath Massager, announced 2019 [online], [site visited Aug. 27, 2020]. Available from internet, URL: <https://www.amazon.ca/ACEVIVI-Massager-Motorized-Adjustable-Multi-modes/dp/B07Y241ZZA/ref=sr_1_2?dchild=1&keywords=ACEVIVI&qid=1598475106&sr=8-2&th=1> (Year: 2019).*

(**) Term: **15 Years**

* cited by examiner

(21) Appl. No.: **29/703,484**

(22) Filed: **Aug. 27, 2019**

(51) **LOC (13) Cl.** **28-03**

(52) **U.S. Cl.**
USPC **D24/213; D28/58**

(58) **Field of Classification Search**
USPC D23/276-278, 280.1-280.3;
D24/201-205, 213; D28/56, 61
CPC A61H 33/6005; A61H 33/6021; A61H
33/6089; A61H 33/6094; A61H 2035/004;
A61H 35/006; A47K 3/022; A47K 3/062
See application file for complete search history.

Primary Examiner — Cynthia Ramirez

Assistant Examiner — Xavier Marti-Santos

(74) *Attorney, Agent, or Firm* — Law Offices of Steven W. Weinrieb

(56) **References Cited**

U.S. PATENT DOCUMENTS

| | | | | |
|-------------------|---------|-------------|-------|-------------------------|
| D346,043 S * | 4/1994 | Galati, Jr. | | D24/205 |
| D363,555 S * | 10/1995 | Lie | | D24/213 |
| D364,466 S * | 11/1995 | Assmann | | D24/213 |
| D405,535 S * | 2/1999 | Schulz | | D24/213 |
| D436,180 S * | 1/2001 | Lie | | D24/213 |
| 6,568,000 B1 * | 5/2003 | Kaufman | | A47K 3/022 4/541.5 |
| 6,598,244 B1 * | 7/2003 | Yeh | | A61H 35/006 4/622 |
| 6,698,038 B2 * | 3/2004 | Bastia | | A61H 9/00 4/622 |
| 6,973,683 B2 * | 12/2005 | Lev | | A47K 3/022 4/541.2 |
| D531,732 S * | 11/2006 | Bean | | D24/213 |
| 7,426,757 B2 * | 9/2008 | Lev | | A61H 15/0078 220/761 |
| 2007/0143918 A1 * | 6/2007 | Cafaro | | A47K 3/022 4/622 |

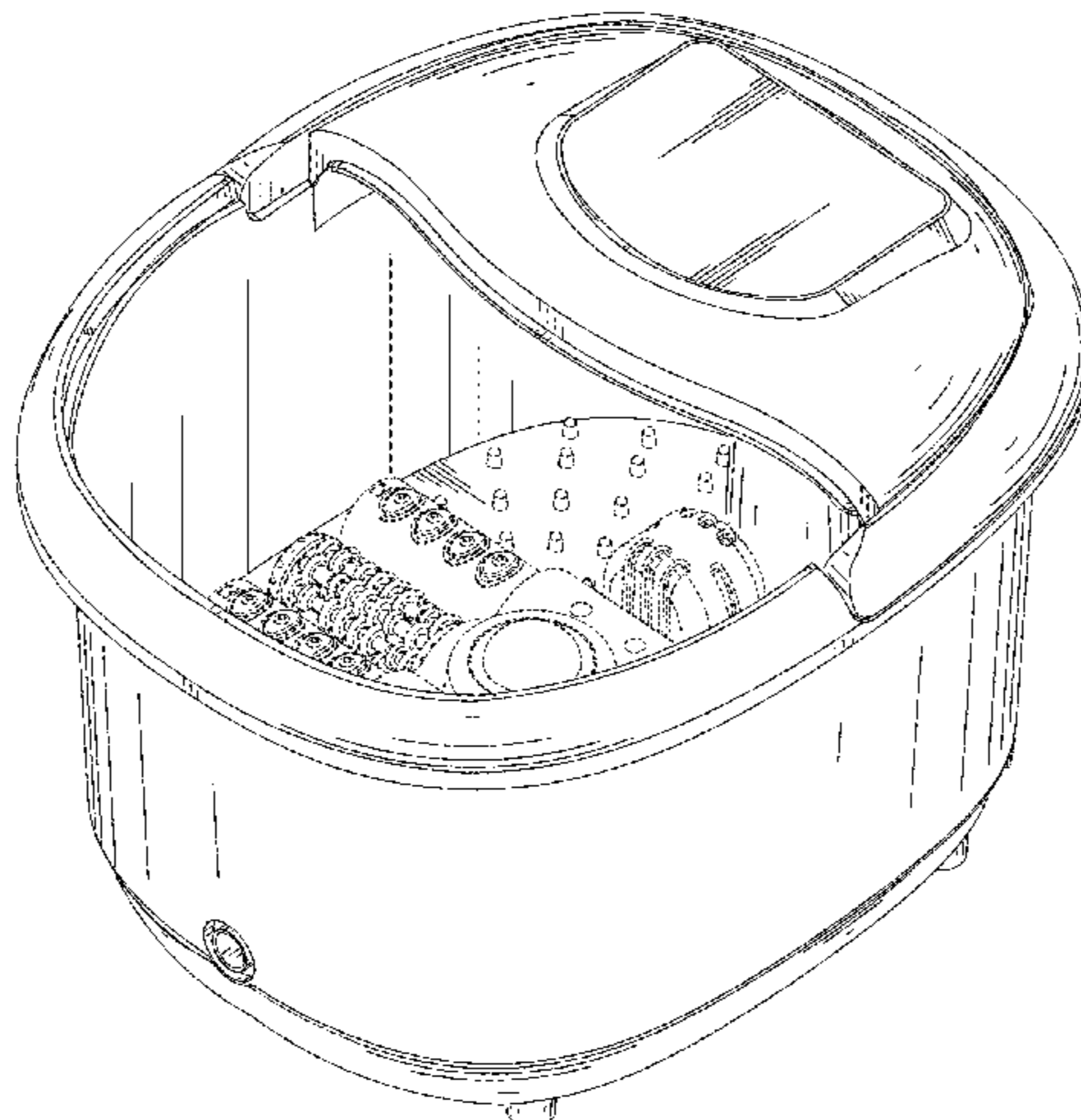
(57) **CLAIM**

The ornamental design for a foot bath, as shown and described.

DESCRIPTION

FIG. 1 is a front, right side, top perspective view of a foot bath showing my new design;
FIG. 2 is a rear, left side, bottom perspective view thereof;
FIG. 3 is a front elevational view thereof;
FIG. 4 is a rear elevational view thereof;
FIG. 5 is a left side elevational view thereof;
FIG. 6 is a right side elevational view thereof;
FIG. 7 is a top plan view thereof; and,
FIG. 8 is a bottom plan view thereof.
The broken lines in the figures are for purposes of illustrating portions of the foot bath which form no part of the claimed design.

1 Claim, 8 Drawing Sheets



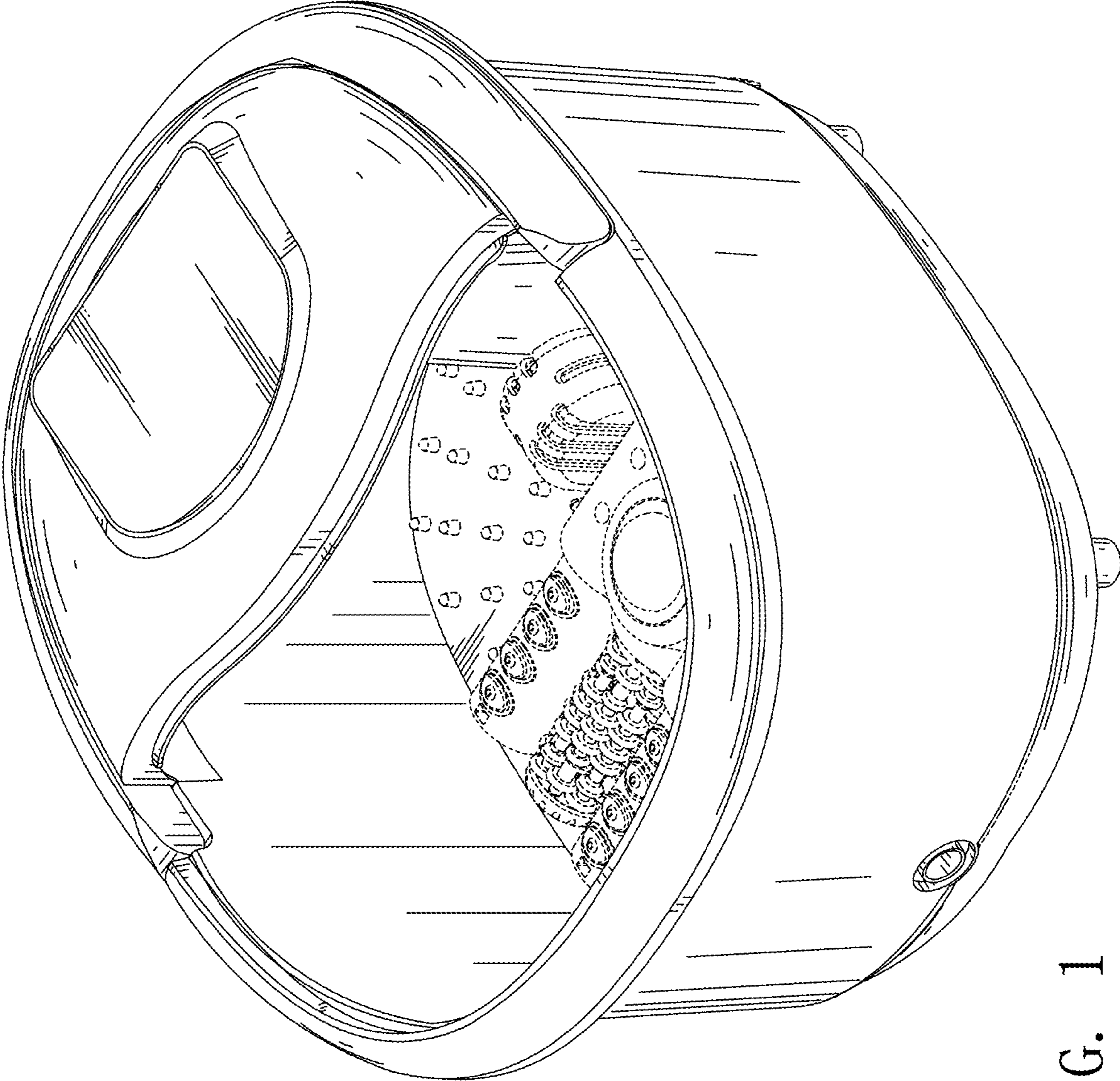


FIG. 1

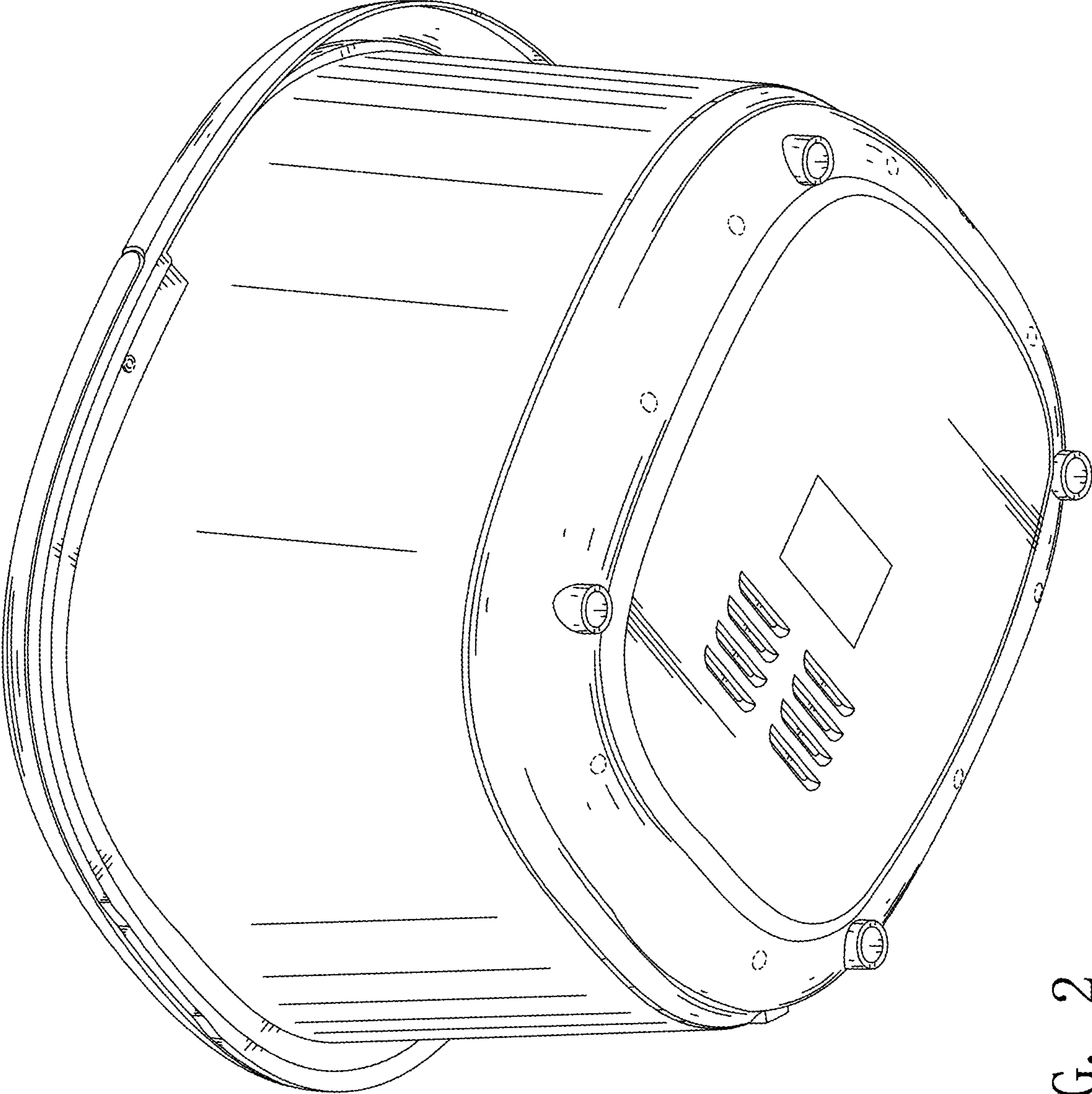


FIG. 2

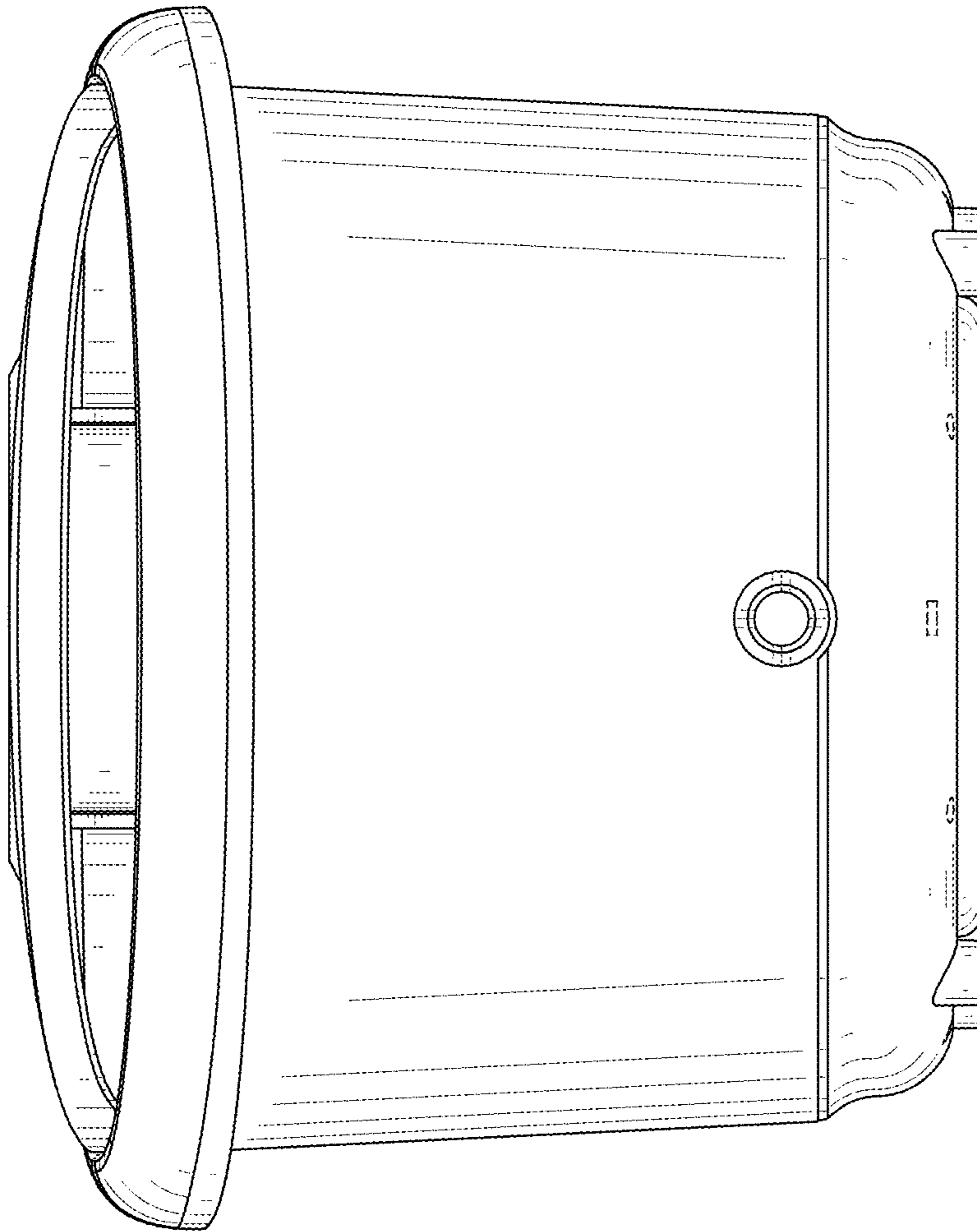


FIG. 3

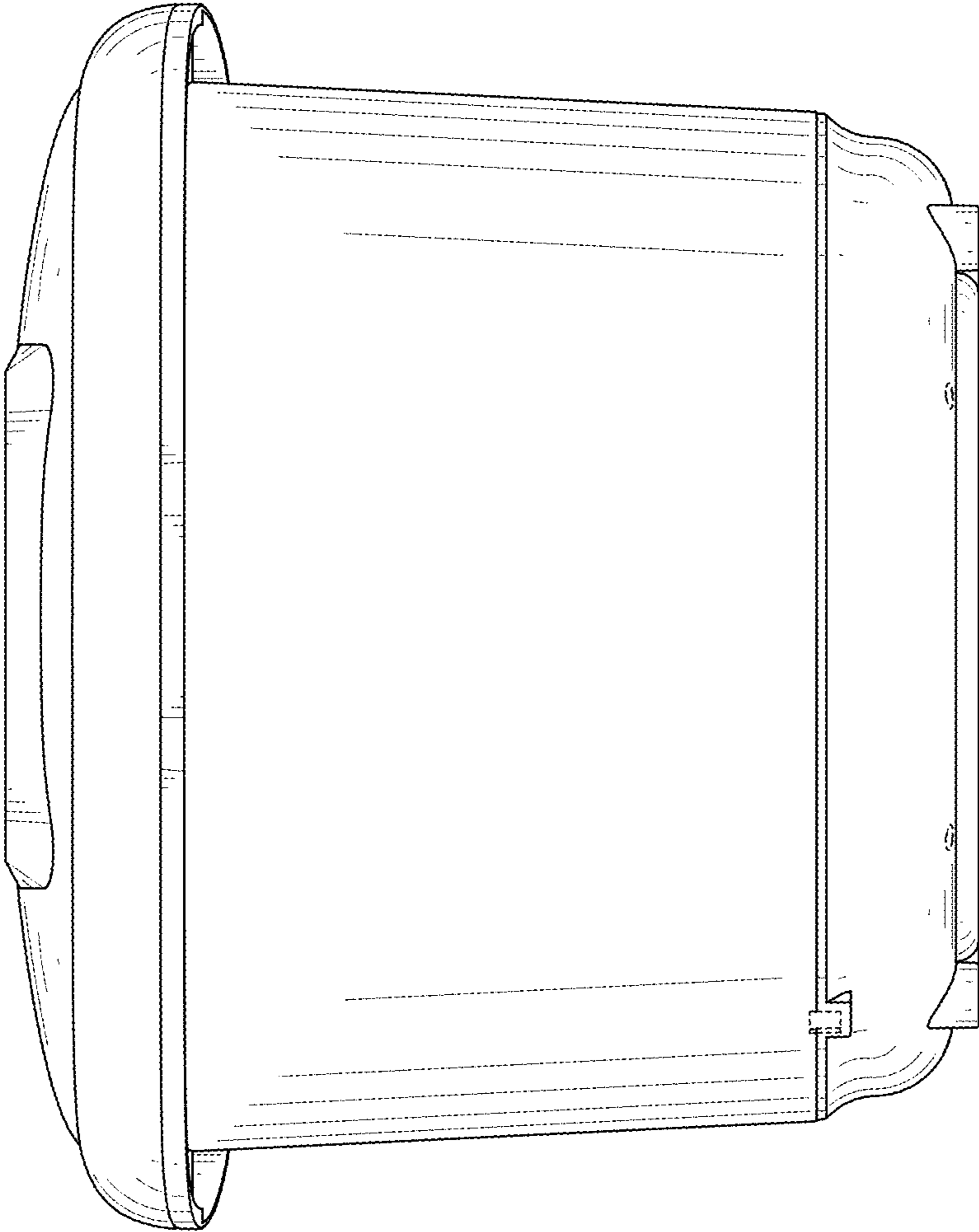


FIG. 4

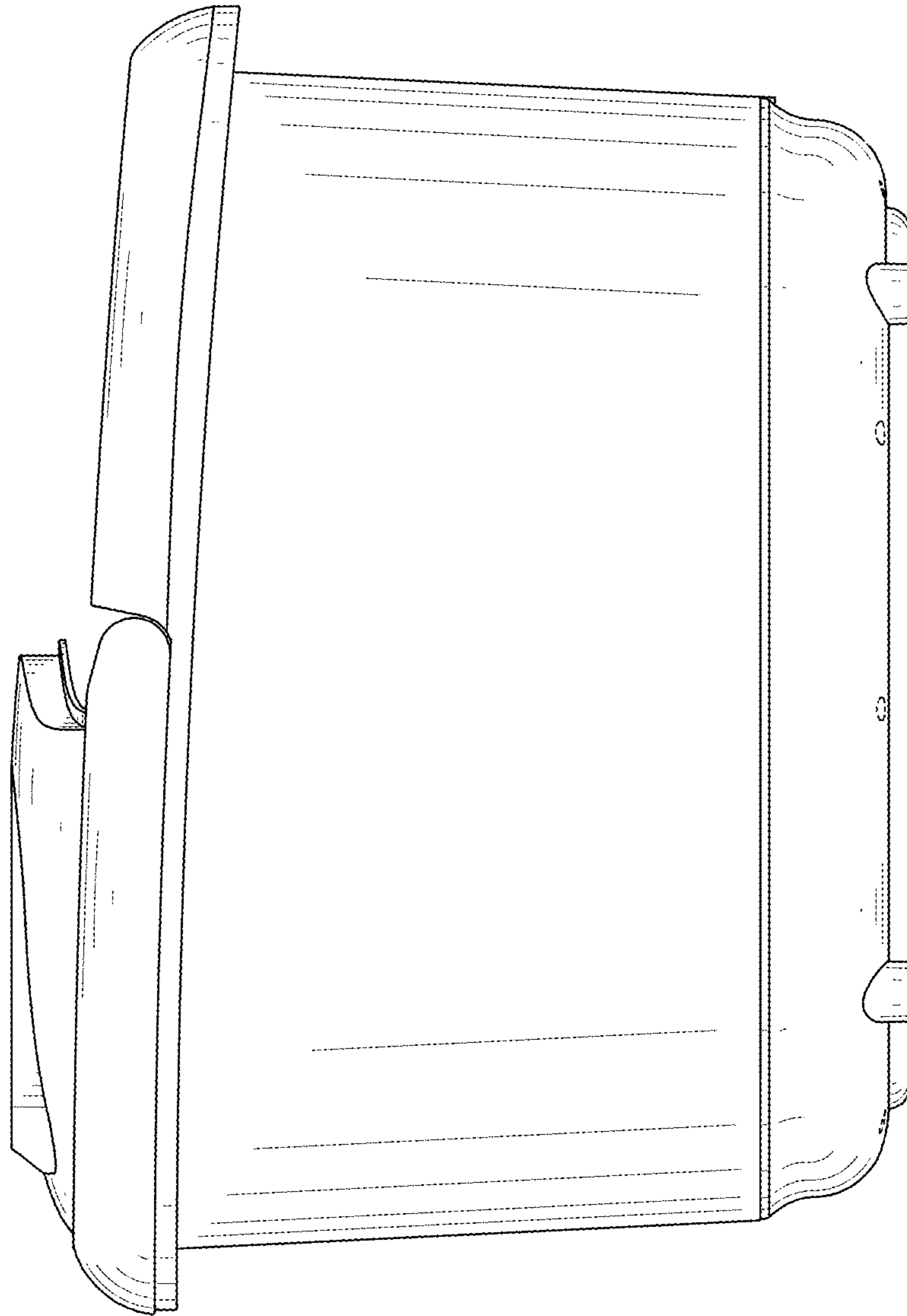


FIG. 5

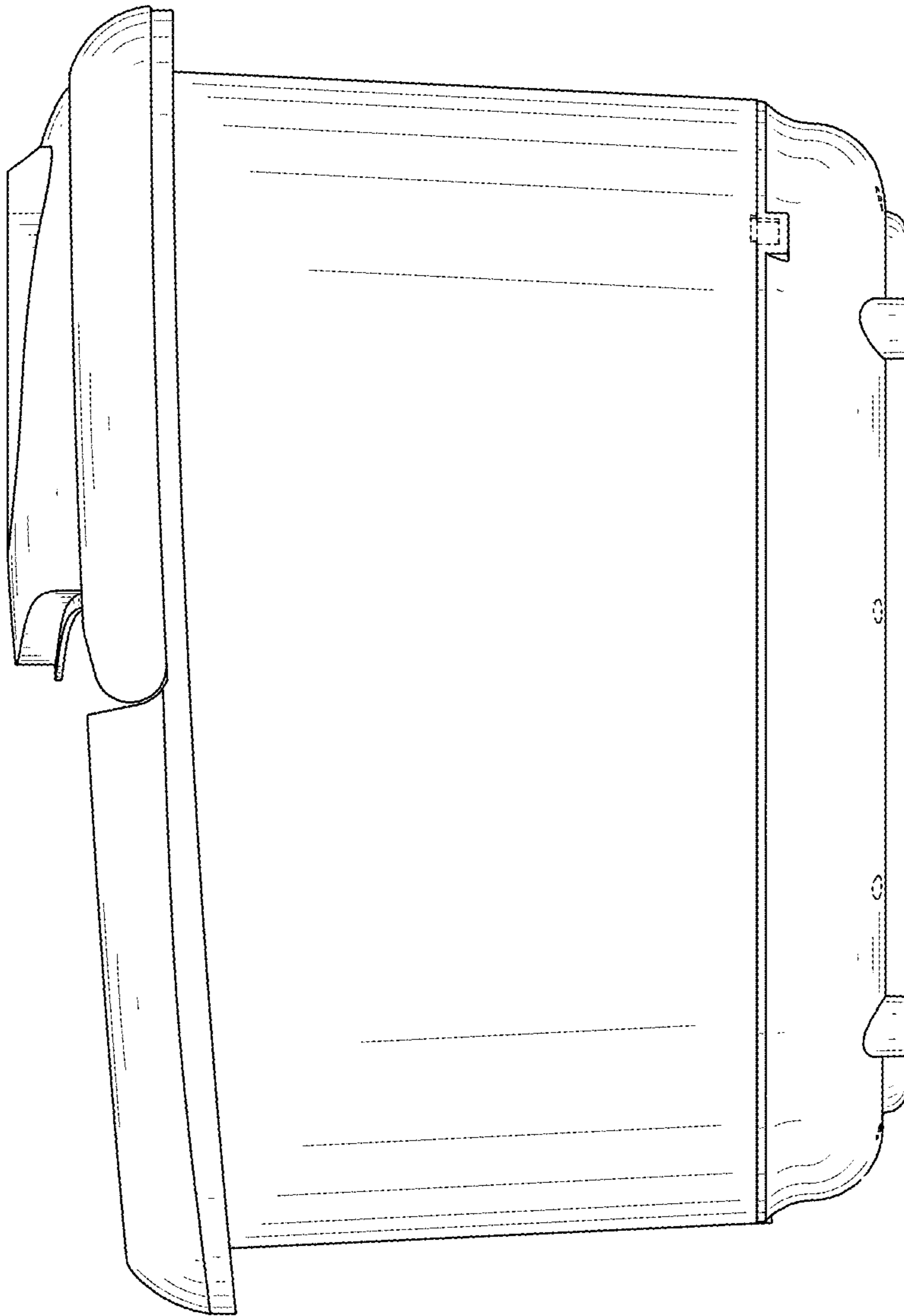


FIG. 6

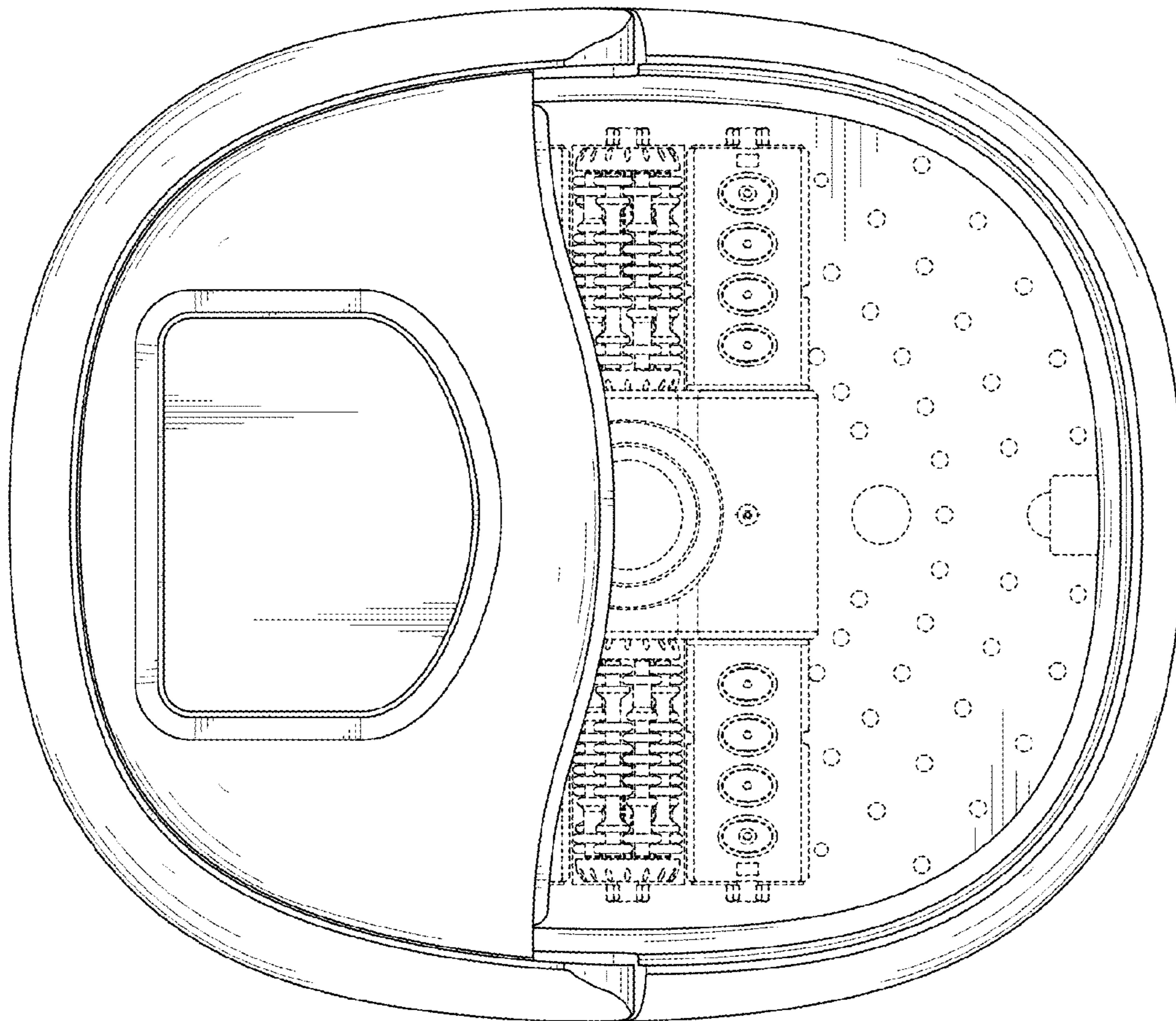


FIG. 7

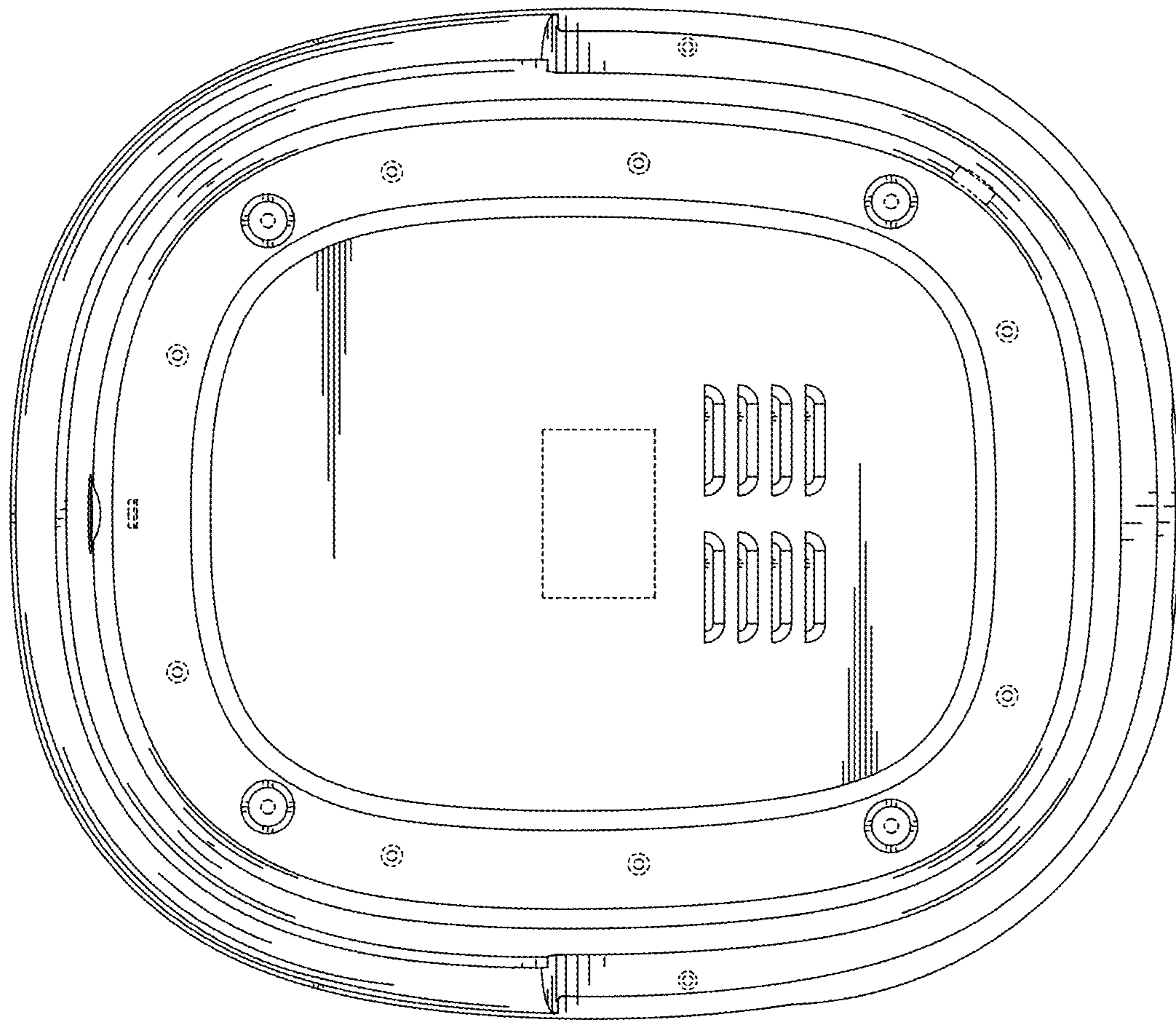


FIG. 8