



US00D925048S

(12) **United States Design Patent**
Yang

(10) **Patent No.:** **US D925,048 S**

(45) **Date of Patent:** **** Jul. 13, 2021**

(54) **PHOTOTHERAPY LAMP**

(71) Applicant: **Dijin Yang**, Ganzhou (CN)

(72) Inventor: **Dijin Yang**, Ganzhou (CN)

(**) Term: **15 Years**

(21) Appl. No.: **29/709,248**

(22) Filed: **Oct. 11, 2019**

(51) **LOC (13) Cl.** **28-03**

(52) **U.S. Cl.**
USPC **D24/210**

(58) **Field of Classification Search**

USPC D24/107, 200, 209, 210, 214, 215, 185,
D24/186, 231; D26/37-39, 76, 104, 106,
D26/120; D28/9; D14/307, 336, 371,
D14/375, 376; D6/308, 310
CPC A61N 5/062; A61N 5/0614; A61N 5/0616;
A61N 5/0617; A61N 5/0618; A61N
5/0624; A61N 5/0627; A61N 5/0625;
A61N 2005/0643; A61N 2005/0644;
A61N 2005/0645; A61N 2005/0647;
A61N 2005/0651; A61N 2005/0652;
A61N 2005/0654; A61N 2005/0662;
A61B 2018/00452; A61B 2018/1807

See application file for complete search history.

(56) **References Cited**

U.S. PATENT DOCUMENTS

D704,851 S * 5/2014 Douglas D24/209
D807,522 S * 1/2018 Berke D24/210
D875,265 S * 2/2020 Li D24/210
D879,984 S * 3/2020 Hu D24/209
D889,677 S * 7/2020 Harmon D24/210

D905,974 S * 12/2020 Chen D6/308
2005/0073839 A1 * 4/2005 Pederson A61N 5/06
362/230
2007/0129777 A1 * 6/2007 Bolta A61N 5/0618
607/88

OTHER PUBLICATIONS

Amazon.com: : Light Therapy Lamp Ultra-Thin Led Energy Therapy
Light Sun Lamp UV-Free 10000 Lux Nature Light Lamp 3 color
Touch Light with Adjustable Brightness and 4 Timer for Home
Office Travel. Date first available: Jun. 6, 2020. <https://www.amazon.com/Therapy-Ultra-Thin-UV-Free-Adjustable-Brightness/dp/B089R7>.*

* cited by examiner

Primary Examiner — Anhdao Doan

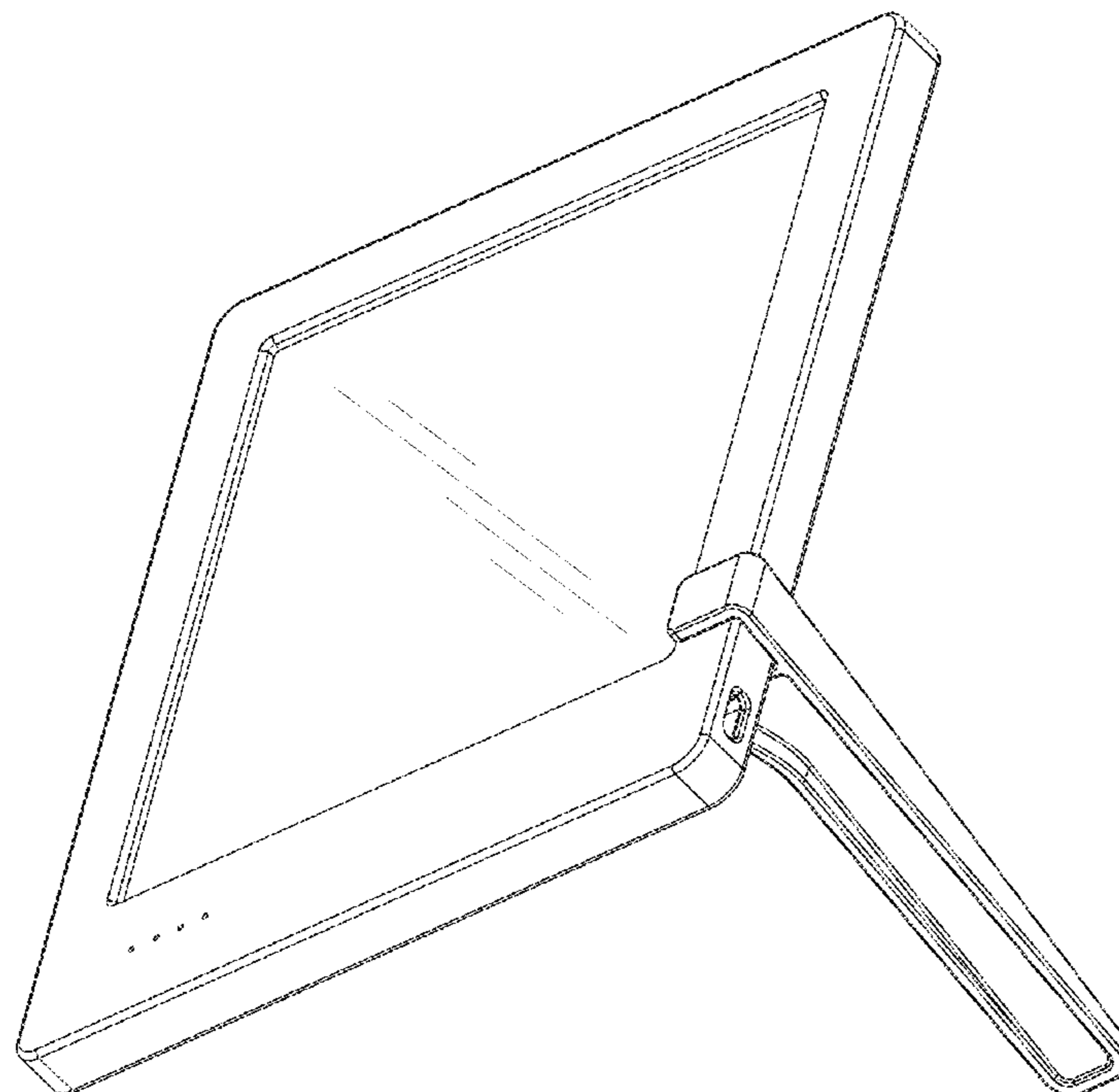
(57) **CLAIM**

The ornamental design for a phototherapy lamp, as shown and described.

DESCRIPTION

FIG. 1 is a front, bottom perspective view of the phototherapy lamp showing my new design;
FIG. 2 is a rear, top perspective view thereof;
FIG. 3 is a front elevational view thereof;
FIG. 4 is a rear elevational view thereof;
FIG. 5 is a left side elevational view thereof;
FIG. 6 is a right side elevational view thereof;
FIG. 7 is a top plan view thereof;
FIG. 8 is a bottom plan view thereof; and,
FIG. 9 is another front perspective view thereof, showing the separated lamp stand.

1 Claim, 9 Drawing Sheets



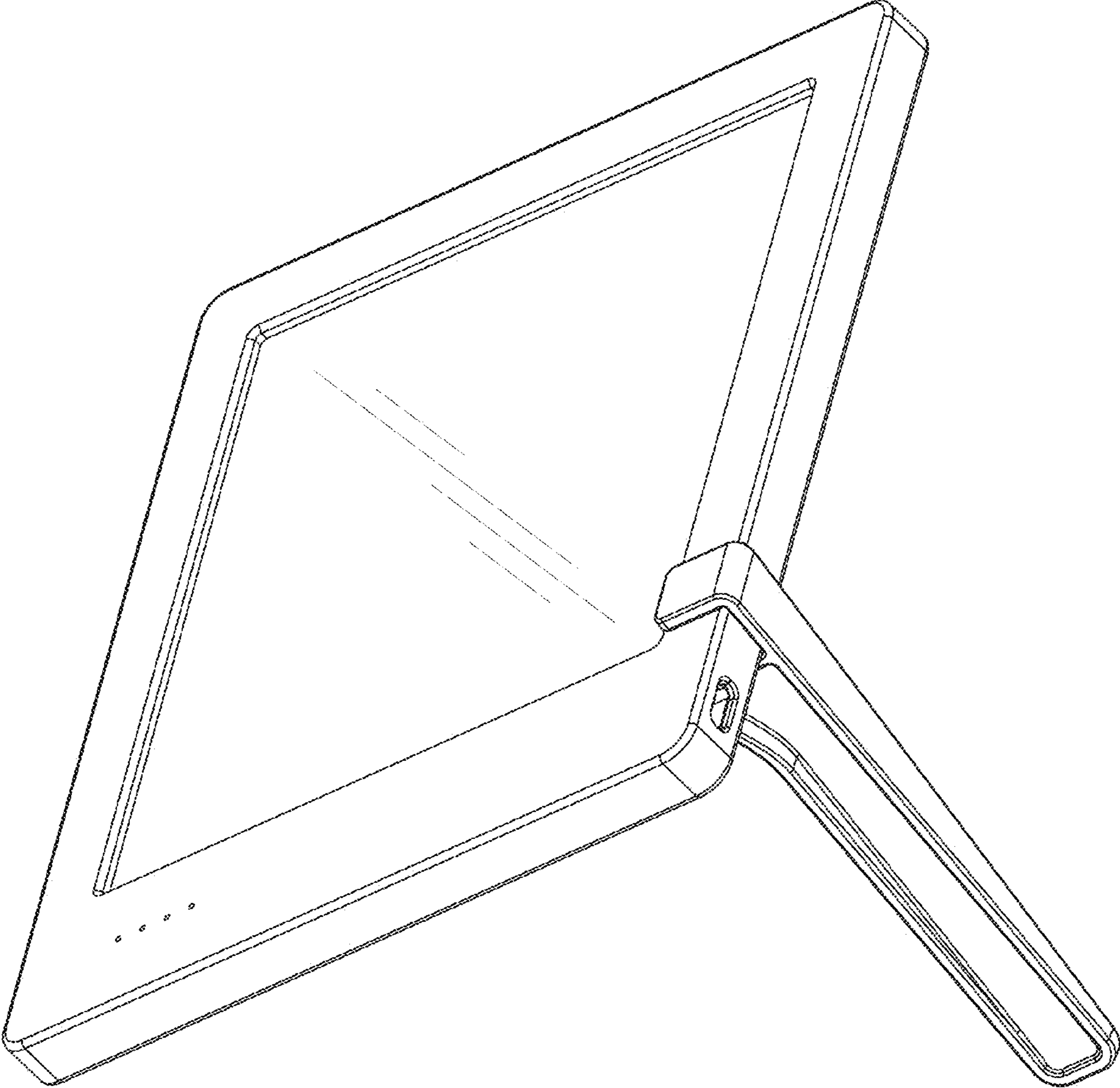


FIG. 1

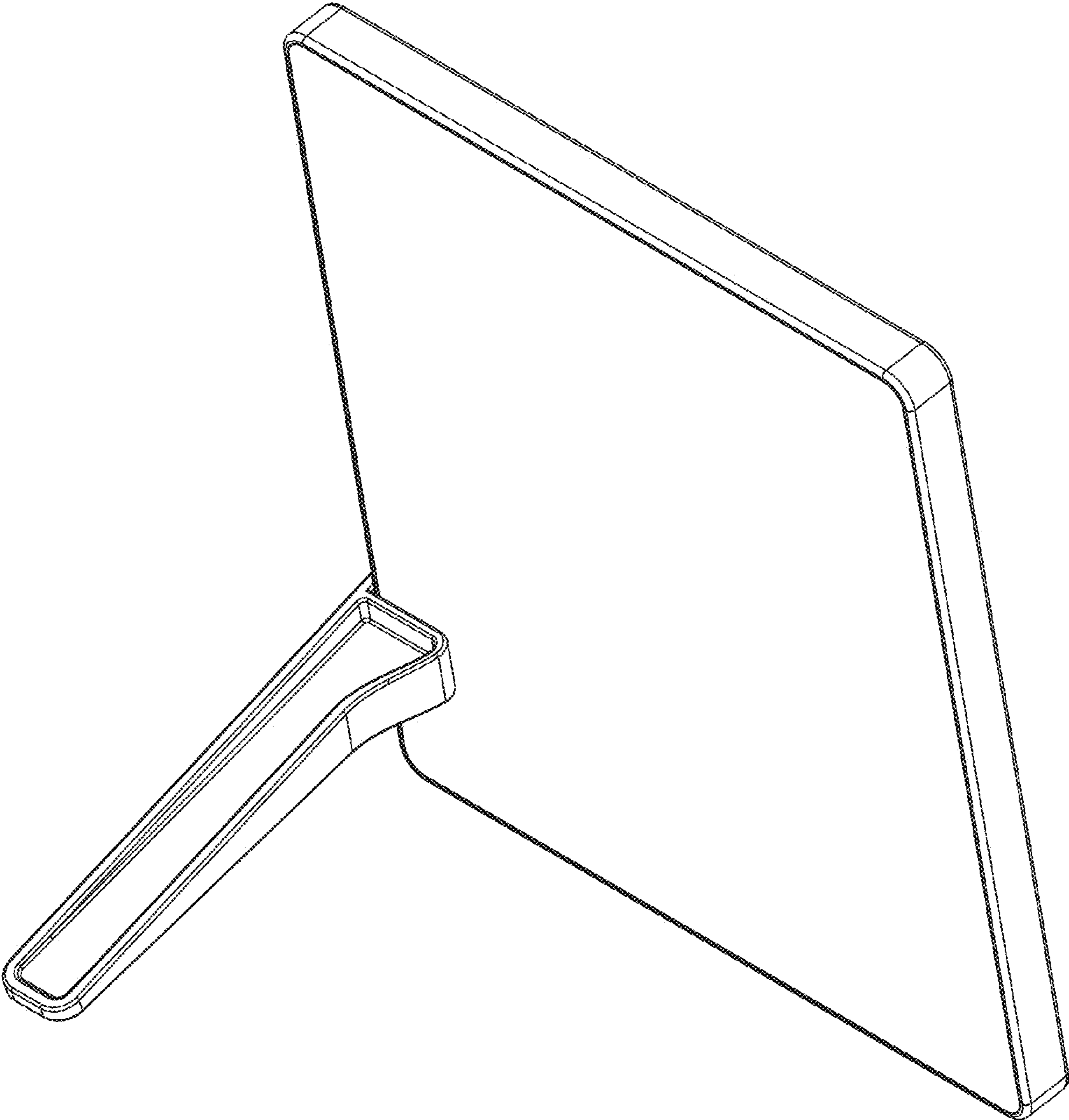


FIG. 2

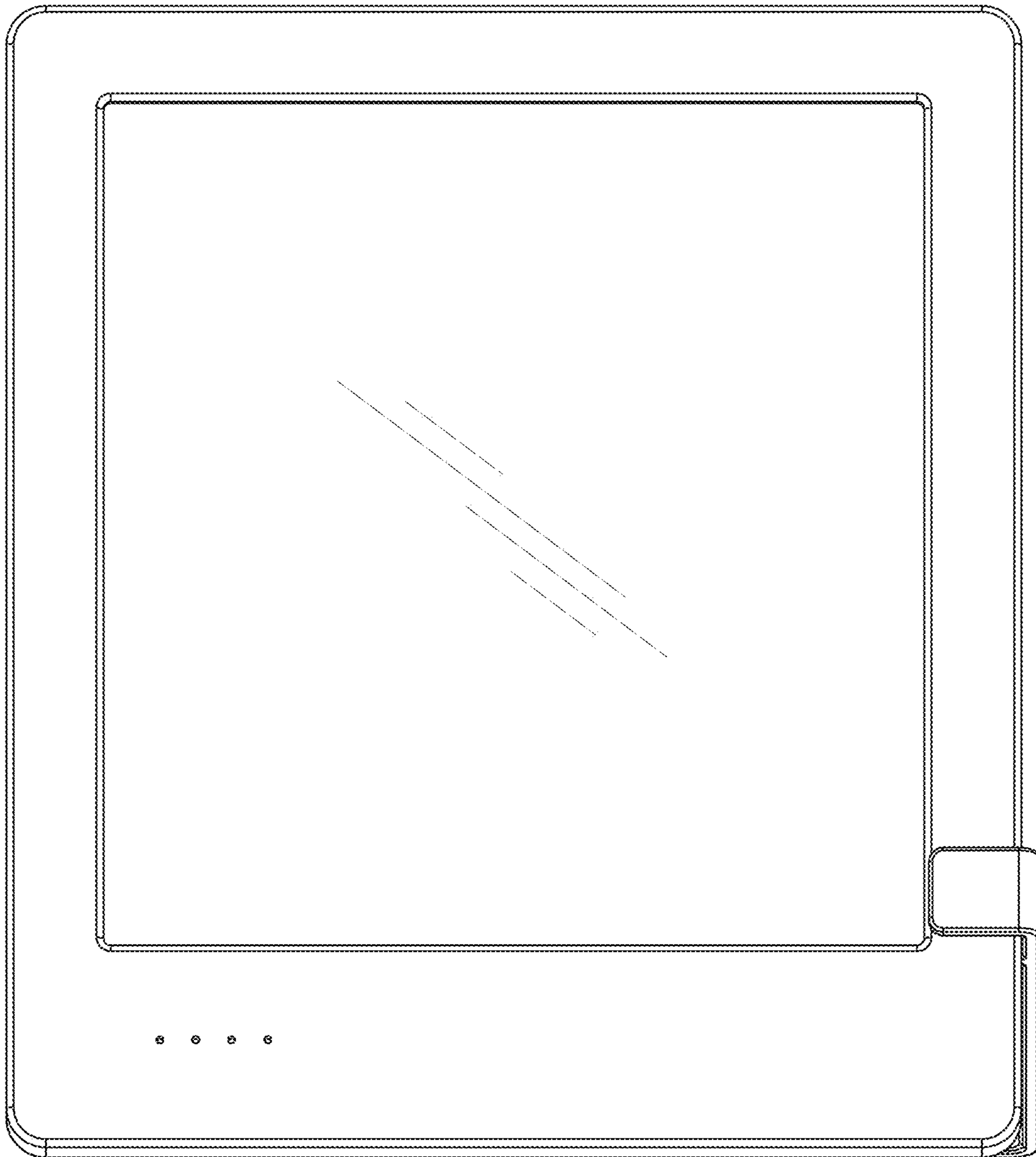


FIG. 3

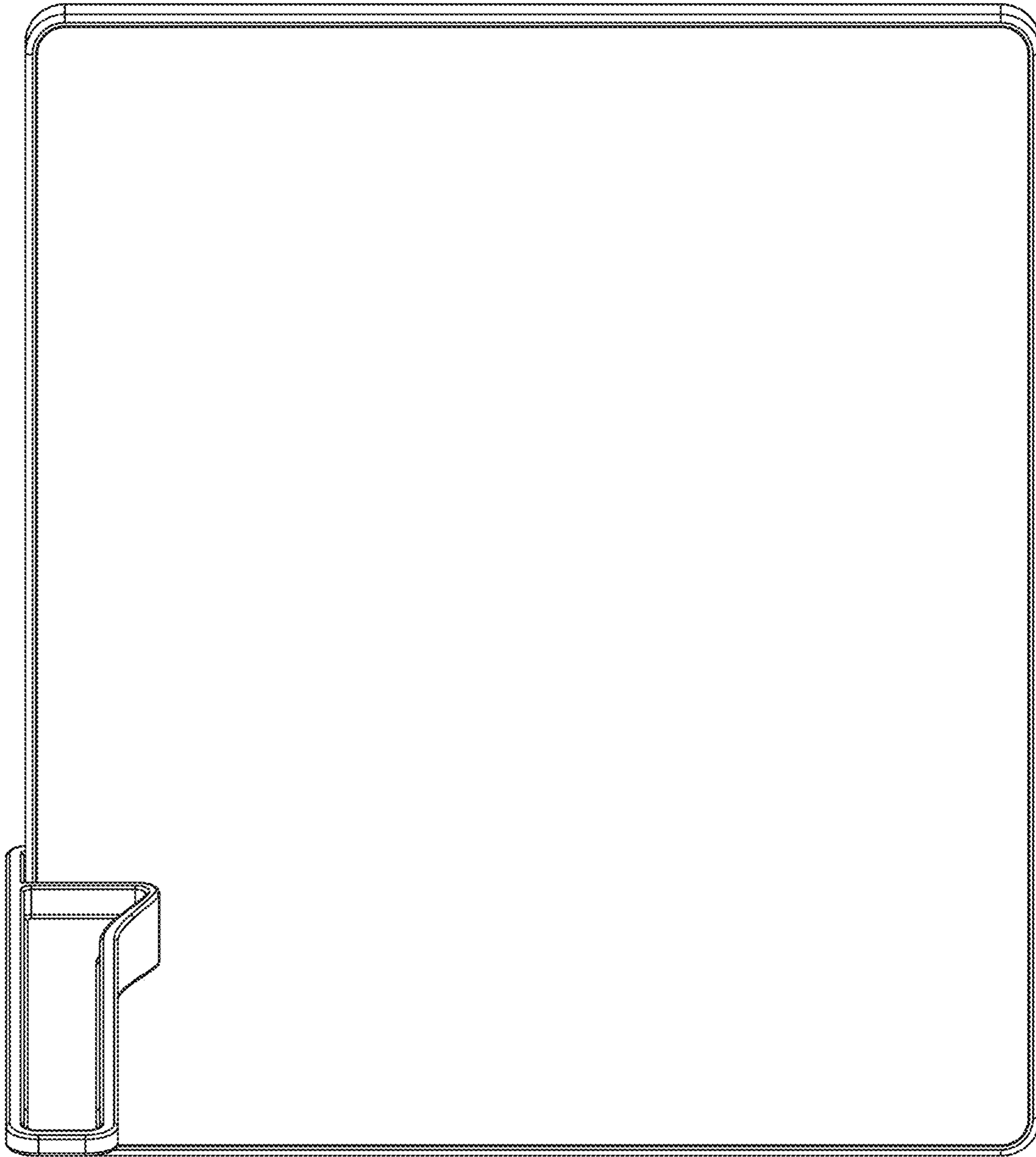


FIG. 4

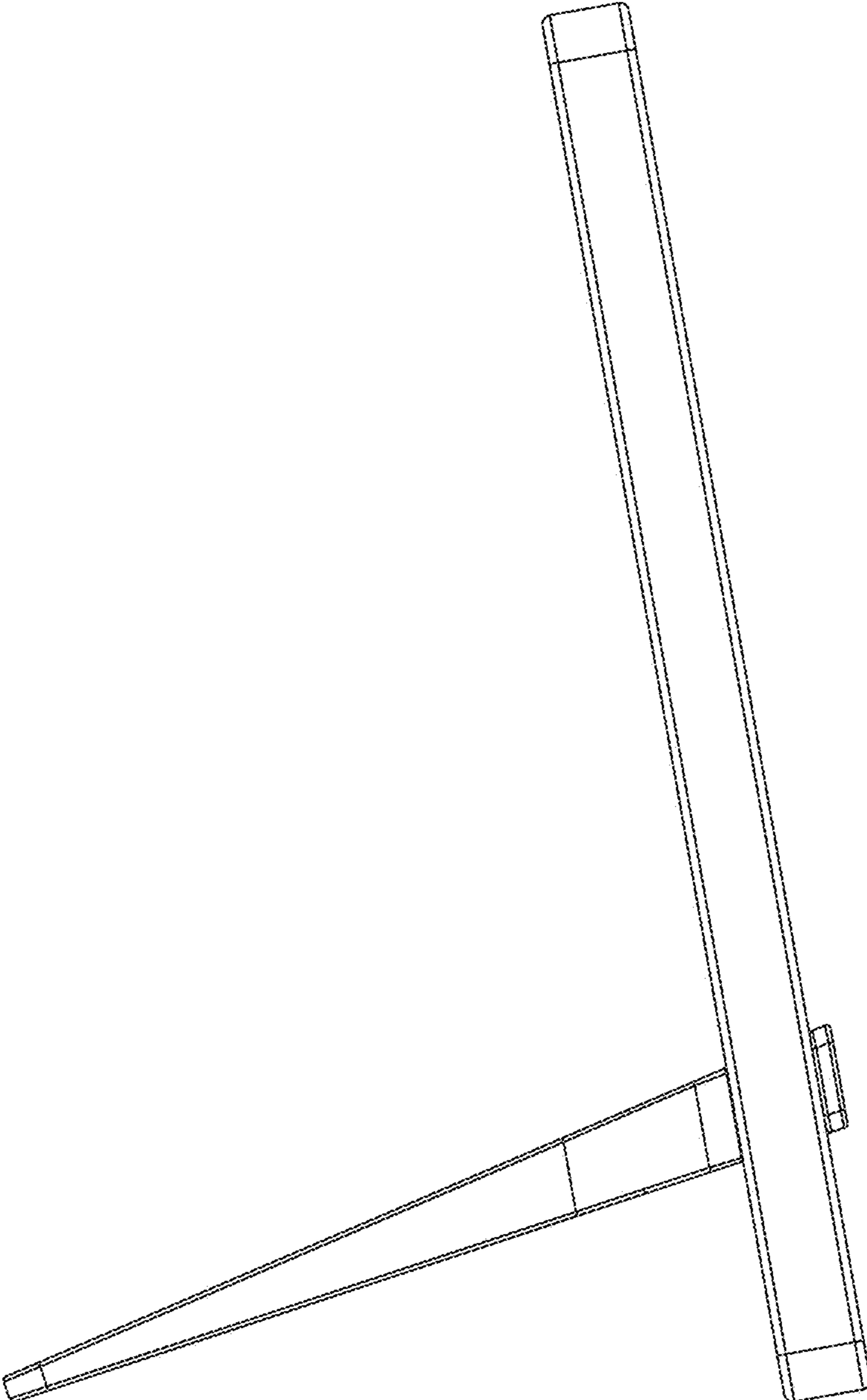


FIG. 5

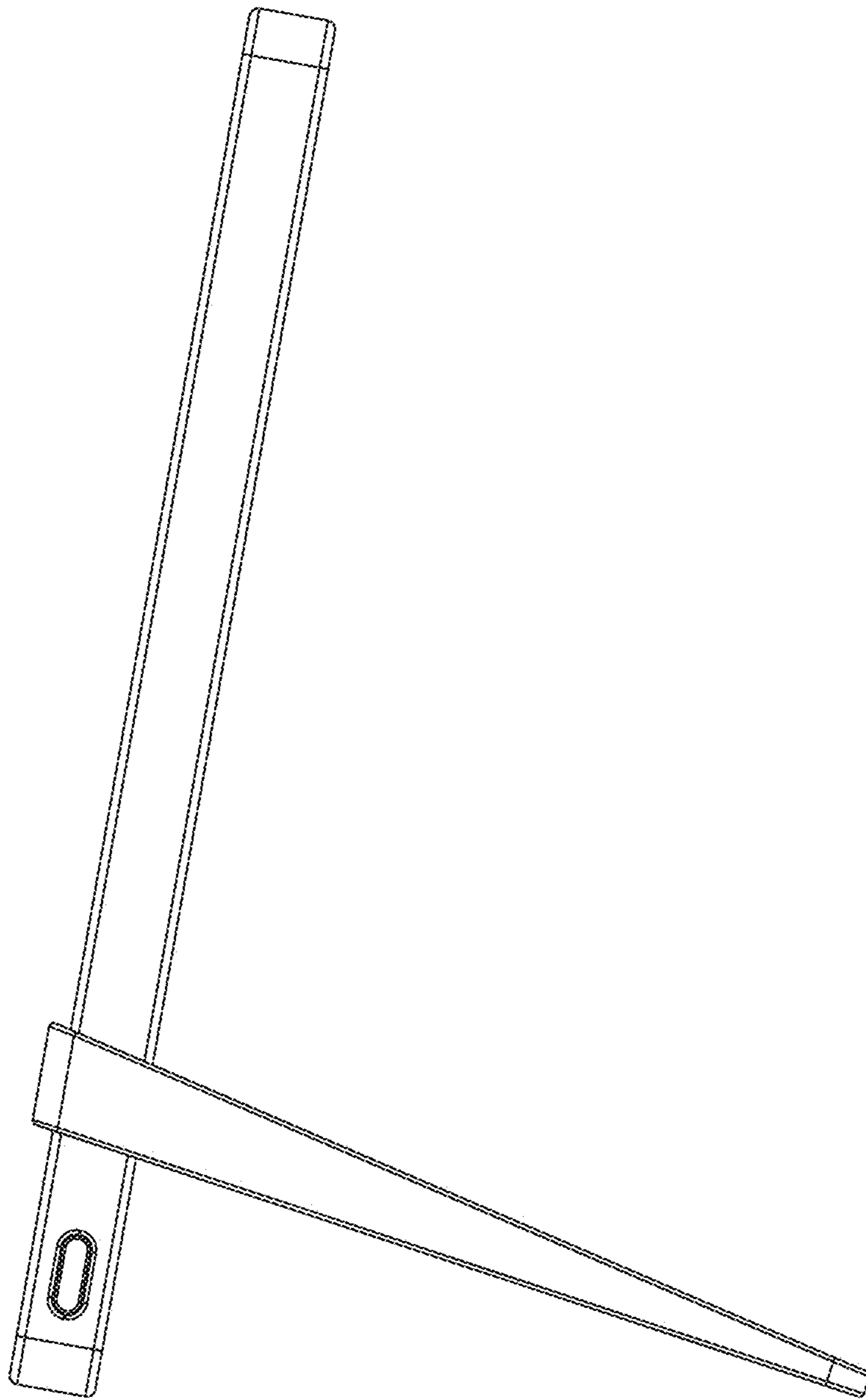


FIG. 6



FIG. 7



FIG. 8

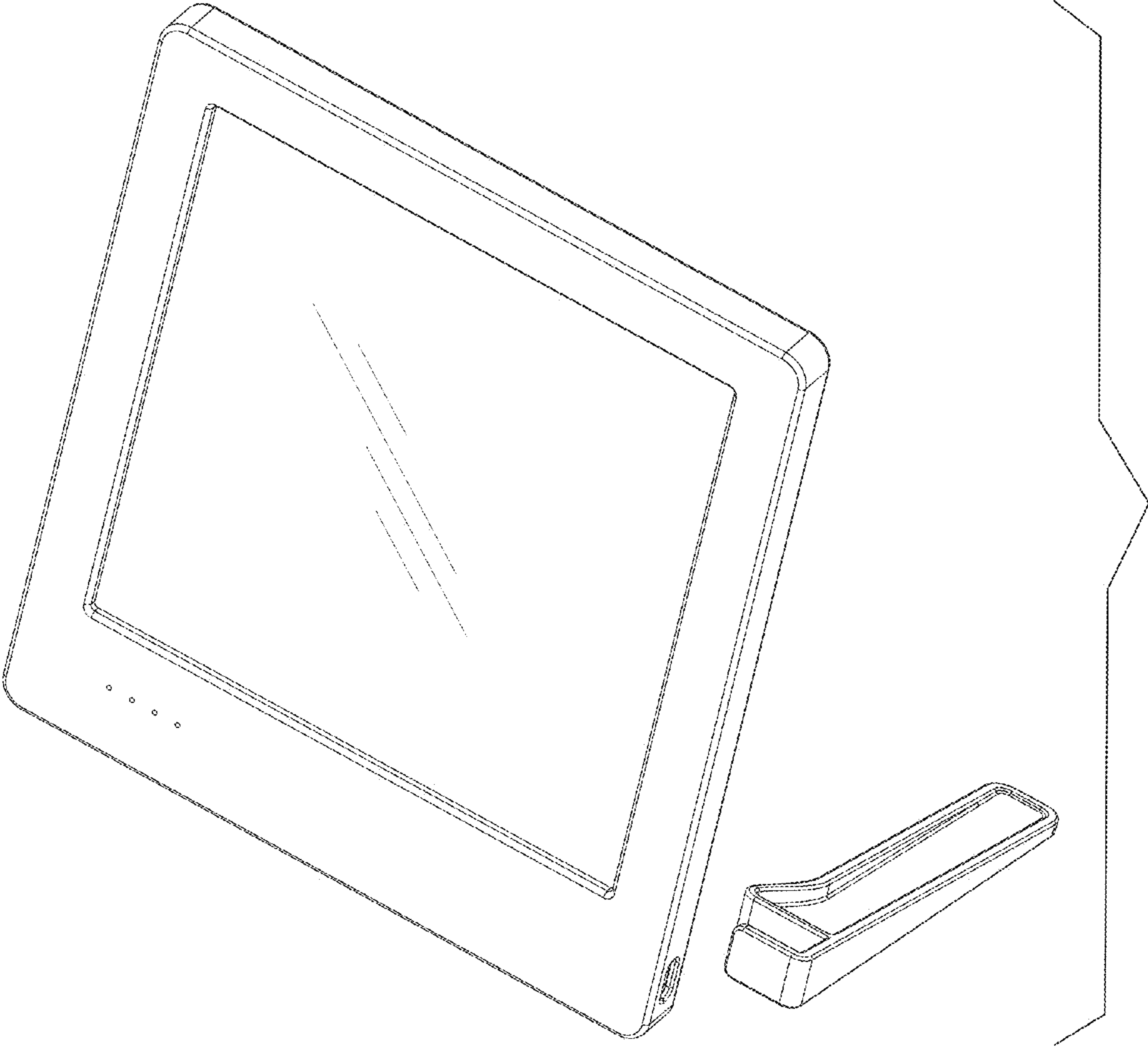


FIG. 9