



US00D925047S

(12) **United States Design Patent** (10) **Patent No.:** **US D925,047 S**
Yang (45) **Date of Patent:** **** Jul. 13, 2021**

(54) **PHOTOTHERAPY LAMP**
(71) Applicant: **Dijin Yang**, Ganzhou (CN)
(72) Inventor: **Dijin Yang**, Ganzhou (CN)
(**) Term: **15 Years**

D903,136 S * 11/2020 Xiao D24/210
D905,445 S * 12/2020 Yang D6/310
D911,540 S * 2/2021 Li D24/210
D912,837 S * 3/2021 Zhang D24/210
2007/0129777 A1* 6/2007 Bolta A61N 5/0618
607/88
2021/0008387 A1* 1/2021 Jou A61N 5/0618

(21) Appl. No.: **29/709,247**
(22) Filed: **Oct. 11, 2019**
(51) **LOC (13) Cl.** **28-03**
(52) **U.S. Cl.**
USPC **D24/210**
(58) **Field of Classification Search**
USPC D24/107, 200, 209, 210, 214, 215, 185,
D24/186, 231; D26/37-39, 76, 104, 106,
D26/120; D28/9; D14/307, 336, 371,
D14/375, 376; D6/308, 310
CPC A61N 5/062; A61N 5/0614; A61N 5/0616;
A61N 5/0617; A61N 5/0618; A61N
5/0624; A61N 5/0627; A61N 2005/0643;
A61N 2005/0644; A61N 2005/0645;
A61N 2005/0647; A61N 2005/0651;
A61N 2005/0652; A61N 2005/0654;
A61N 2005/0662; A61B 2018/00452;
A61B 2018/1807

FOREIGN PATENT DOCUMENTS

CN 201930351155.3 * 6/2020

OTHER PUBLICATIONS

Amazon.com: Mood Restore—Light Therapy Lamp, 12,000 Lux LED UV Free Sunlight Touch Lamp w/ 360° Stand, Timer & Memory functions. Product available Nov. 6, 2019. Retrieved from website at: <https://www.amazon.com/dp/B0813XJ9HG#customerReviews>.*

* cited by examiner

Primary Examiner — Anhdao Doan

(57) **CLAIM**

The ornamental design for a phototherapy lamp, as shown and described.

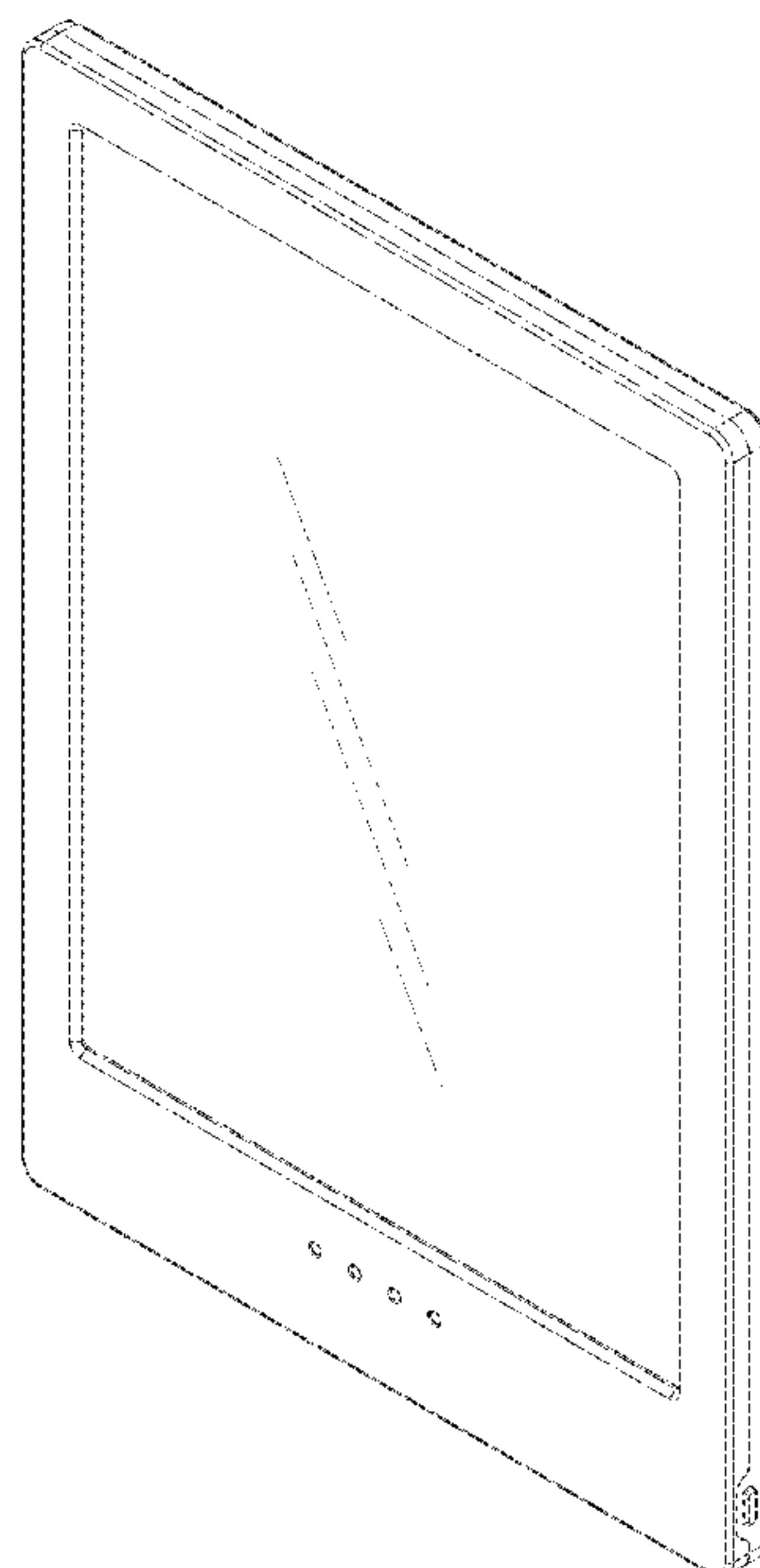
DESCRIPTION

FIG. 1 is a front perspective view of the phototherapy lamp showing my new design;
FIG. 2 is a rear, bottom perspective view thereof;
FIG. 3 is a front elevational view thereof;
FIG. 4 is a rear elevational view thereof;
FIG. 5 is a left side elevational view thereof;
FIG. 6 is a right side elevational view thereof;
FIG. 7 is a top plan view thereof; and,
FIG. 8 is a bottom plan view thereof.

1 Claim, 7 Drawing Sheets

(56) **References Cited**
U.S. PATENT DOCUMENTS

D599,485 S * 9/2009 Burrows D24/209
D736,942 S * 8/2015 Hagenauer D24/210
D807,522 S * 1/2018 Berke D24/210
D875,265 S * 2/2020 Li D24/210
D879,984 S * 3/2020 Hu D24/209
D893,039 S * 8/2020 Harmon D24/209
D903,135 S * 11/2020 Xiao D24/210



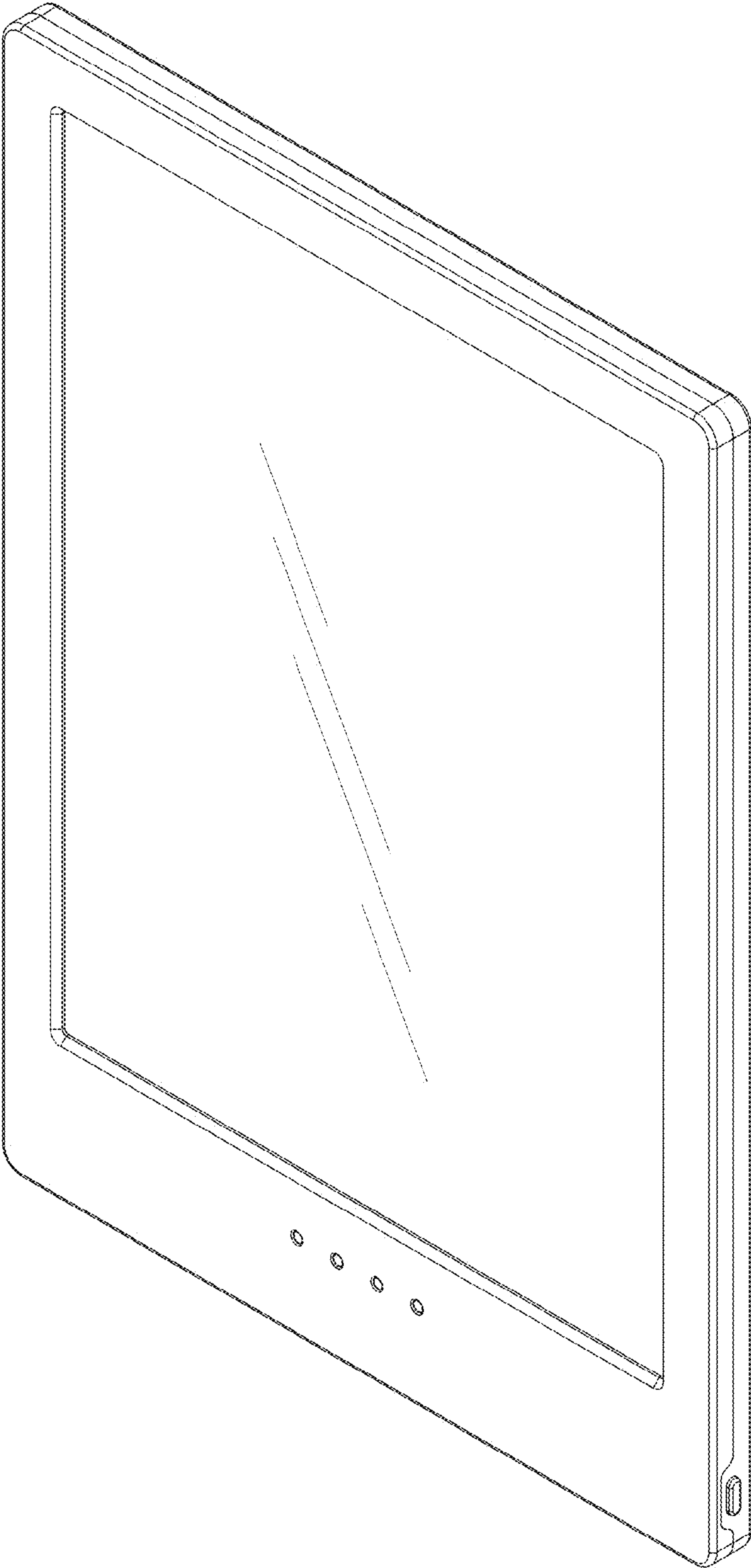


FIG. 1

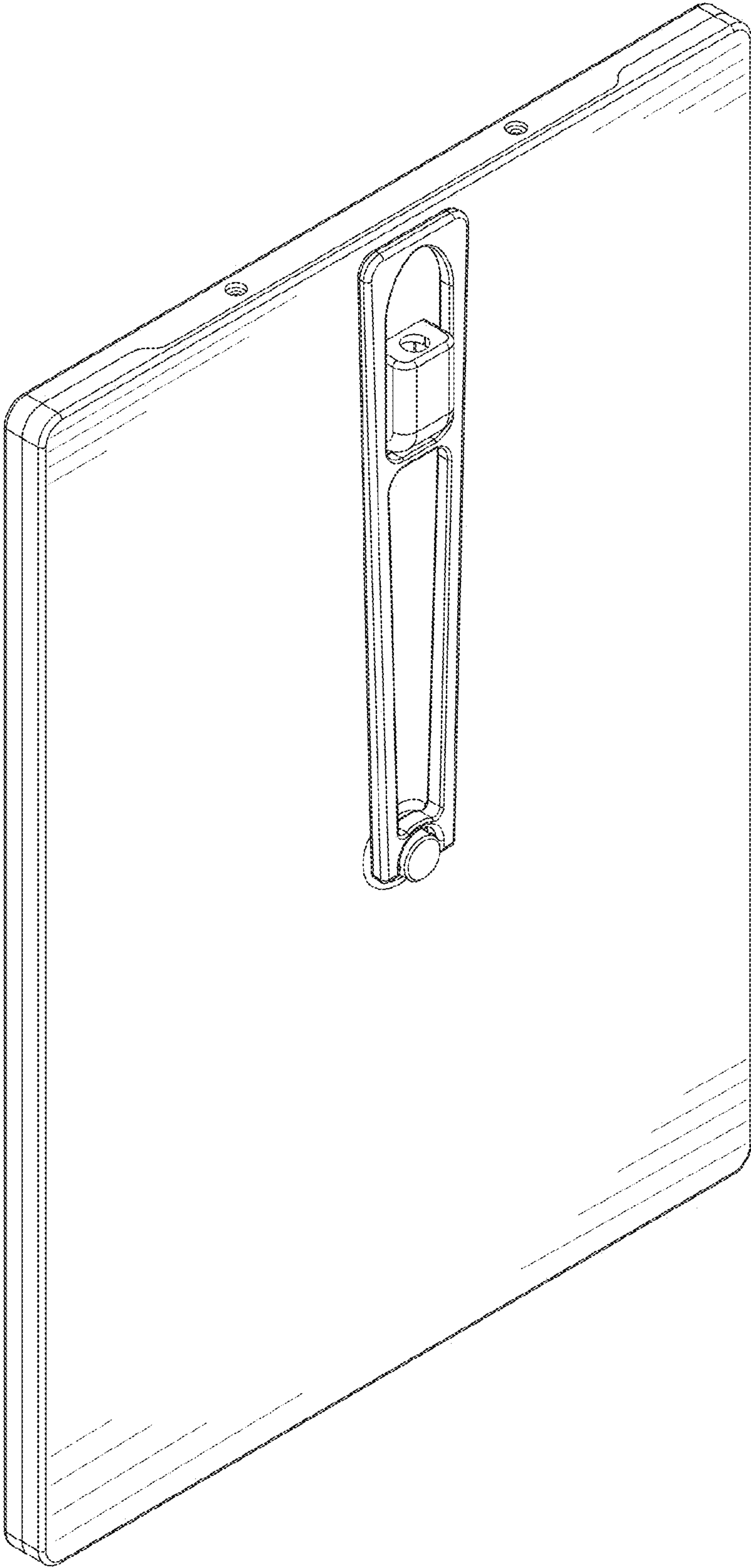


FIG. 2

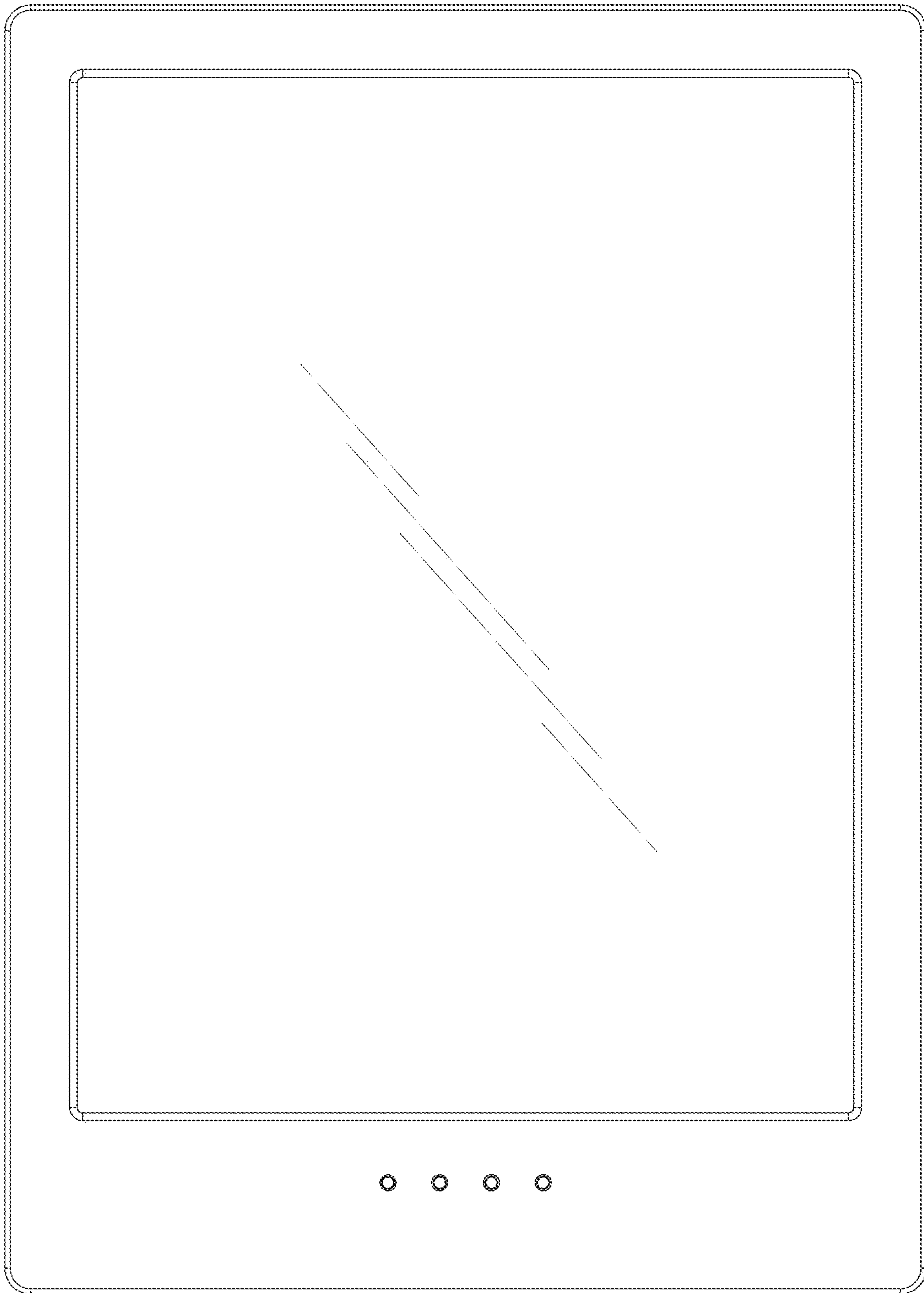


FIG. 3

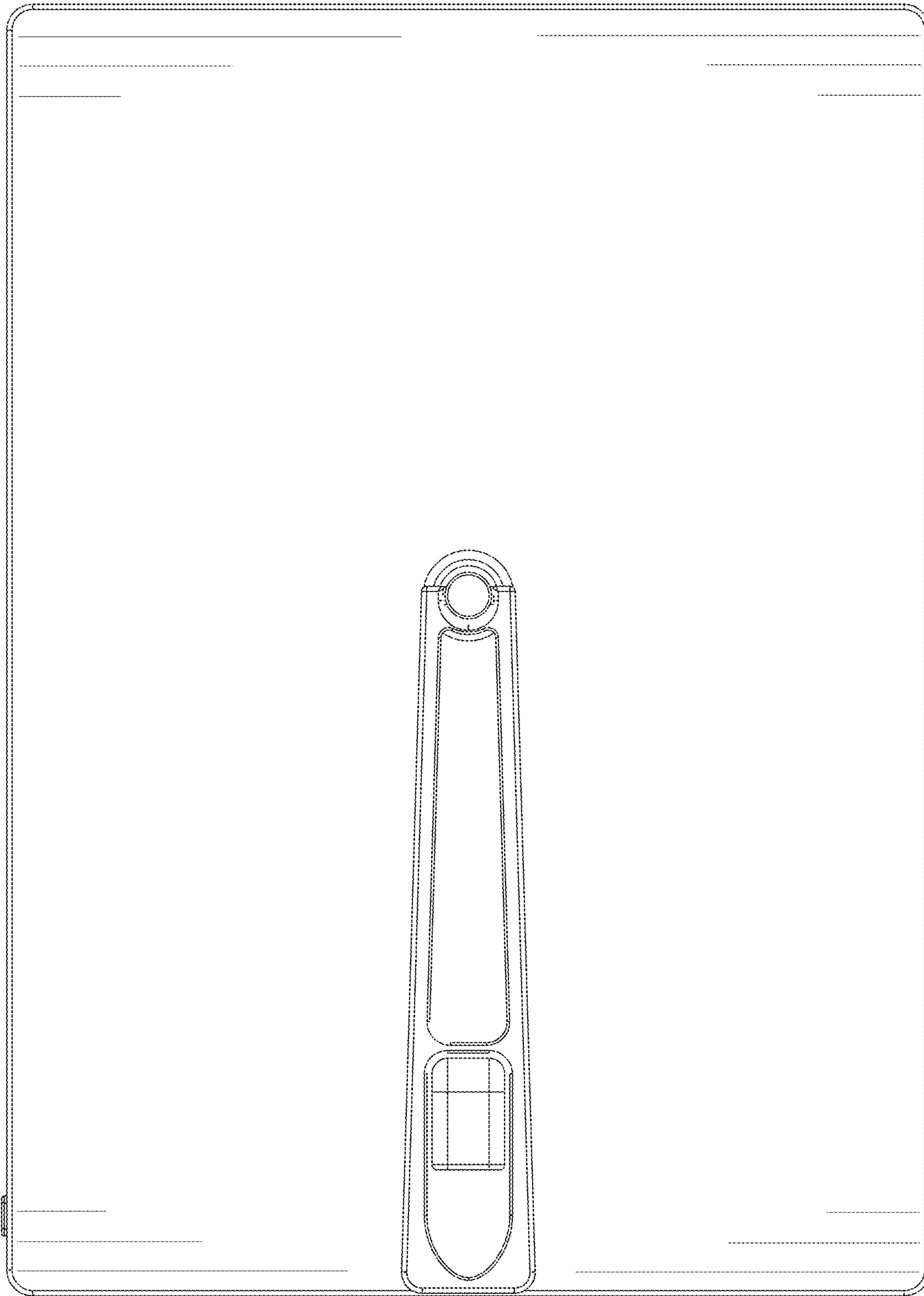


FIG. 4

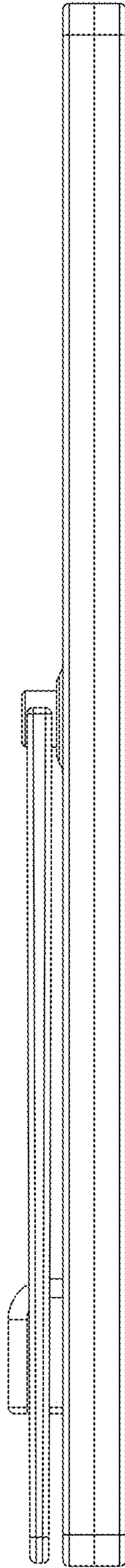


FIG. 5

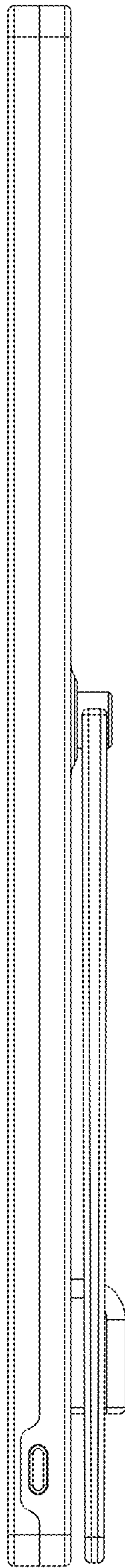


FIG. 6

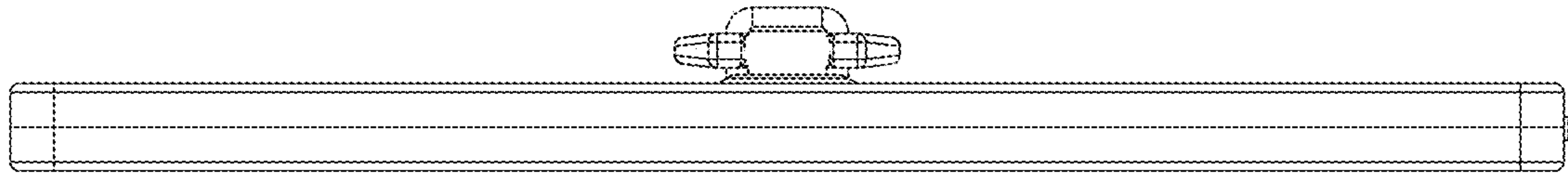


FIG. 7

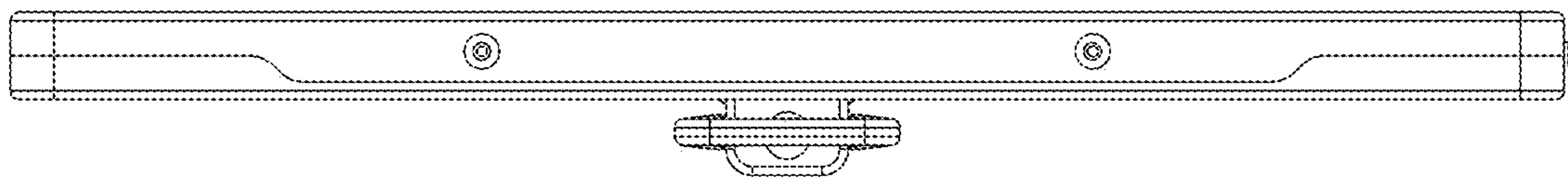


FIG. 8