



US00D925046S

(12) **United States Design Patent** (10) **Patent No.:** **US D925,046 S**
Johnson (45) **Date of Patent:** **** Jul. 13, 2021**

(54) **LIGHT THERAPY DEVICE** 8,900,283 B2 * 12/2014 Johnson A61N 5/0616
607/90
(71) Applicant: **BioPhotas, Inc., Anaheim, CA (US)** D802,779 S * 11/2017 Inoue D24/200
D870,909 S * 12/2019 Sedic D24/215
(72) Inventor: **Patrick Lamberth Johnson, Santa** D879,341 S * 3/2020 Kassin D26/37
Ana, CA (US) D890,752 S * 7/2020 Huang D14/358
2002/0143373 A1 10/2002 Courtnage et al.
2003/0009205 A1 1/2003 Biel
(73) Assignee: **BioPhotas, Inc., Anaheim, CA (US)** 2005/0110702 A1 5/2005 Aoki et al.
2006/0217690 A1 9/2006 Bastin et al.
(**) Term: **15 Years** (Continued)

(21) Appl. No.: **29/693,106**

FOREIGN PATENT DOCUMENTS

(22) Filed: **May 30, 2019**

WO WO 2011/001344 A2 1/2011

(51) **LOC (13) Cl.** **28-03**

(52) **U.S. Cl.**

USPC **D24/209**

(58) **Field of Classification Search**

USPC D24/107, 186, 200, 209, 210, 231, 133,
D24/214, 215; D28/44, 44.1;
D26/37-39; D13/168

CPC A61N 5/062; A61N 5/0614; A61N 5/0616;
A61N 5/0617; A61N 5/0618; A61N
5/0624; A61N 5/0627; A61N 5/0625;
A61N 2005/0643; A61N 2005/0644;
A61N 2005/0645; A61N 2005/0647;
A61N 2005/0651; A61N 2005/0652;
A61N 2005/0654; A61N 2005/0662;
A61B 2018/00452; A61B 2018/1807

See application file for complete search history.

(56) **References Cited**

U.S. PATENT DOCUMENTS

5,000,752 A 3/1991 Hoskin et al.
6,221,095 B1 4/2001 Zuylen et al.
6,743,249 B1 6/2004 Alden et al.
D497,882 S * 11/2004 Huang D13/168
D579,572 S * 10/2008 Wittenbrock D24/209
D623,308 S * 9/2010 Kramer D24/209
D664,932 S * 8/2012 Sedic D13/168
D684,269 S * 6/2013 Wang D24/209

OTHER PUBLICATIONS

Biophotas Inc. Introduces the Celluma POD Light Therapy Device—
News Provided By BioPhotas, Inc. May 31, 2018.*

(Continued)

Primary Examiner — Anhdao Doan

(74) *Attorney, Agent, or Firm* — Robert D. Buyan; Stout,
Uxa & Buyan, LLP

(57) **CLAIM**

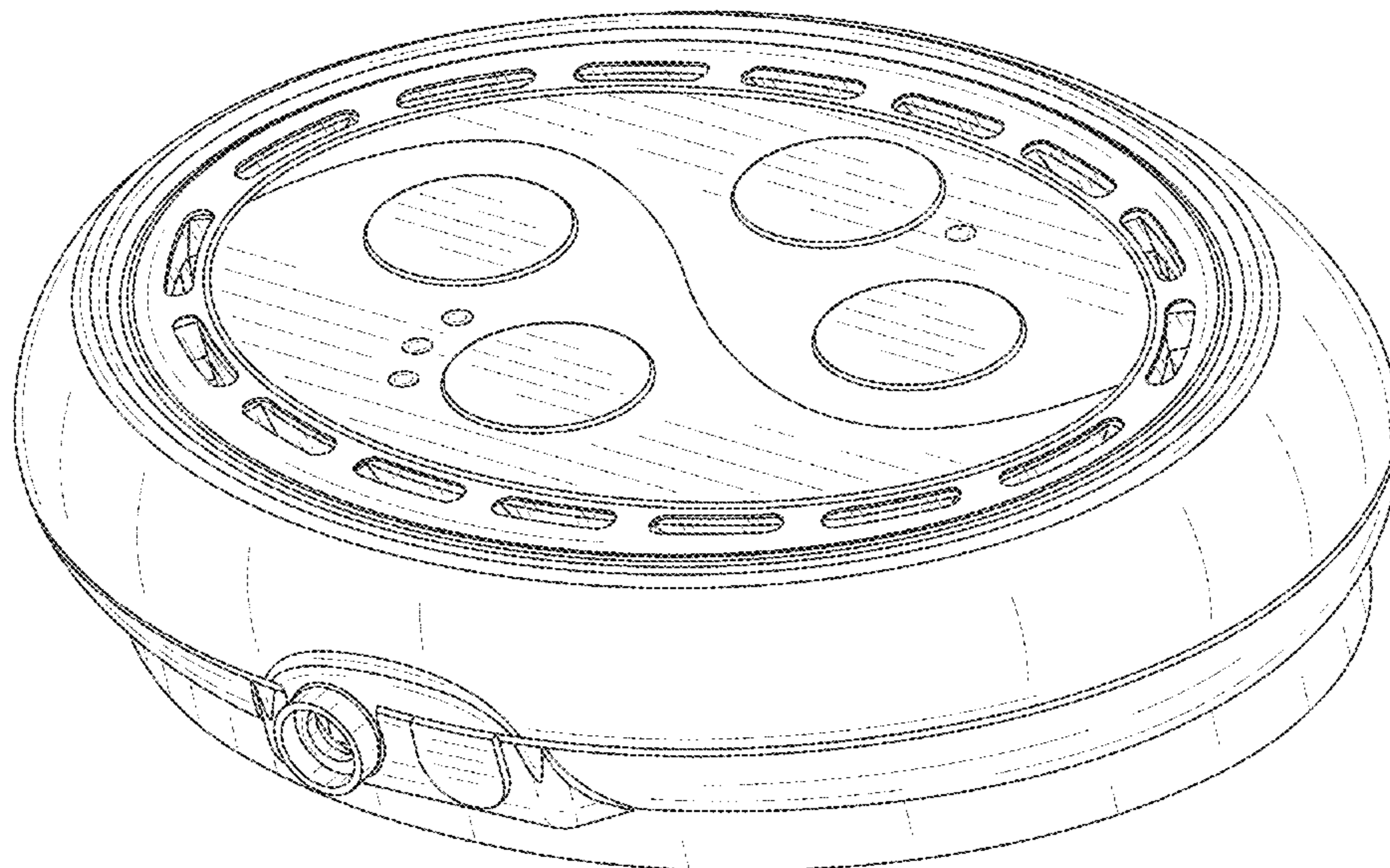
The ornamental design for a light therapy device, as shown.

DESCRIPTION

FIG. 1 is a right perspective view of a light therapy device.
FIG. 2 is a top view thereof;
FIG. 3 is a bottom view thereof;
FIG. 4 is a rear view thereof;
FIG. 5 is a front view thereof;
FIG. 6 is a left side view thereof; and,
FIG. 7 is a right side view thereof.

The broken lines in FIG. 3 depict portions of the light
therapy device that form no part of the claimed design; the
broken lines form no part of the claimed design.

1 Claim, 5 Drawing Sheets



(56)

References Cited

U.S. PATENT DOCUMENTS

2007/0156208 A1 7/2007 Havell et al.
2007/0208395 A1 9/2007 LeClerc et al.
2007/0217199 A1 9/2007 Adam et al.
2009/0105791 A1 4/2009 McGinnis et al.
2010/0114007 A1 5/2010 Fischer et al.
2010/0234927 A1 9/2010 Lin
2010/0274329 A1 10/2010 Bradley et al.
2010/0318161 A1 12/2010 Brawn
2011/0144724 A1 6/2011 Pryor et al.
2011/0144727 A1 6/2011 Benedict

OTHER PUBLICATIONS

International Search Report and Written Opinion for related PCT application PCT/US2012/064198. International filing date Nov. 8, 2012.

Daniel Barolet, M.D. "Light-Emitting Diodes (LEDs) in Dermatology", Seminars in Cutaneous Medicine and Surgery, vol. 27, pp. 227-238, 2008.

Daniel Barolet, et al., Importance of Pulsing Illumination Parameters in Low-Level-Light Therapy, Journal of Biomedical Optics, vol. 15, No. 4, pp. 048005-1-048005-8, 2010.

Supplementary European Search Report dated Jul. 23, 2015 for related European Application No. 12847625.6.

* cited by examiner

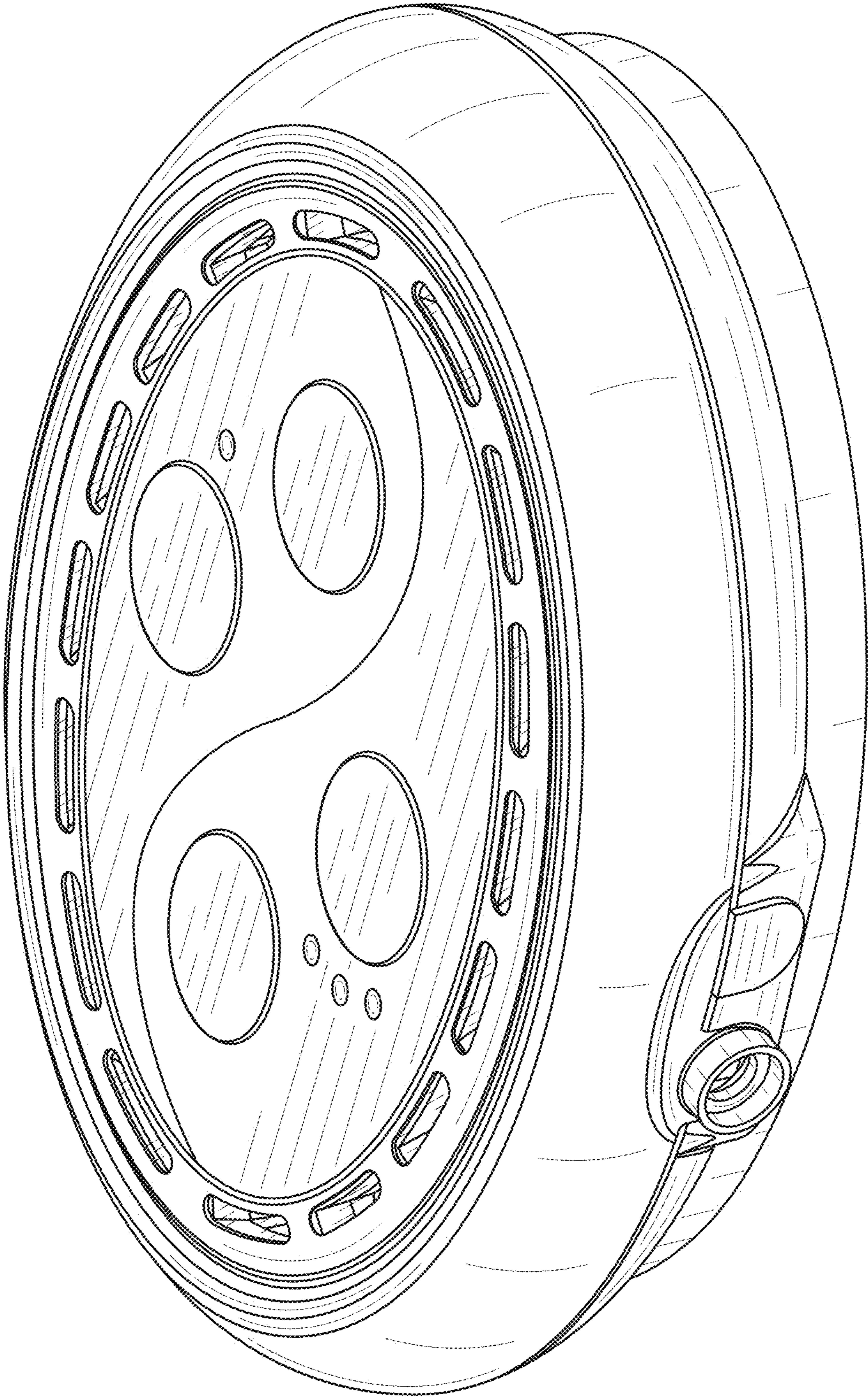


FIG. 1

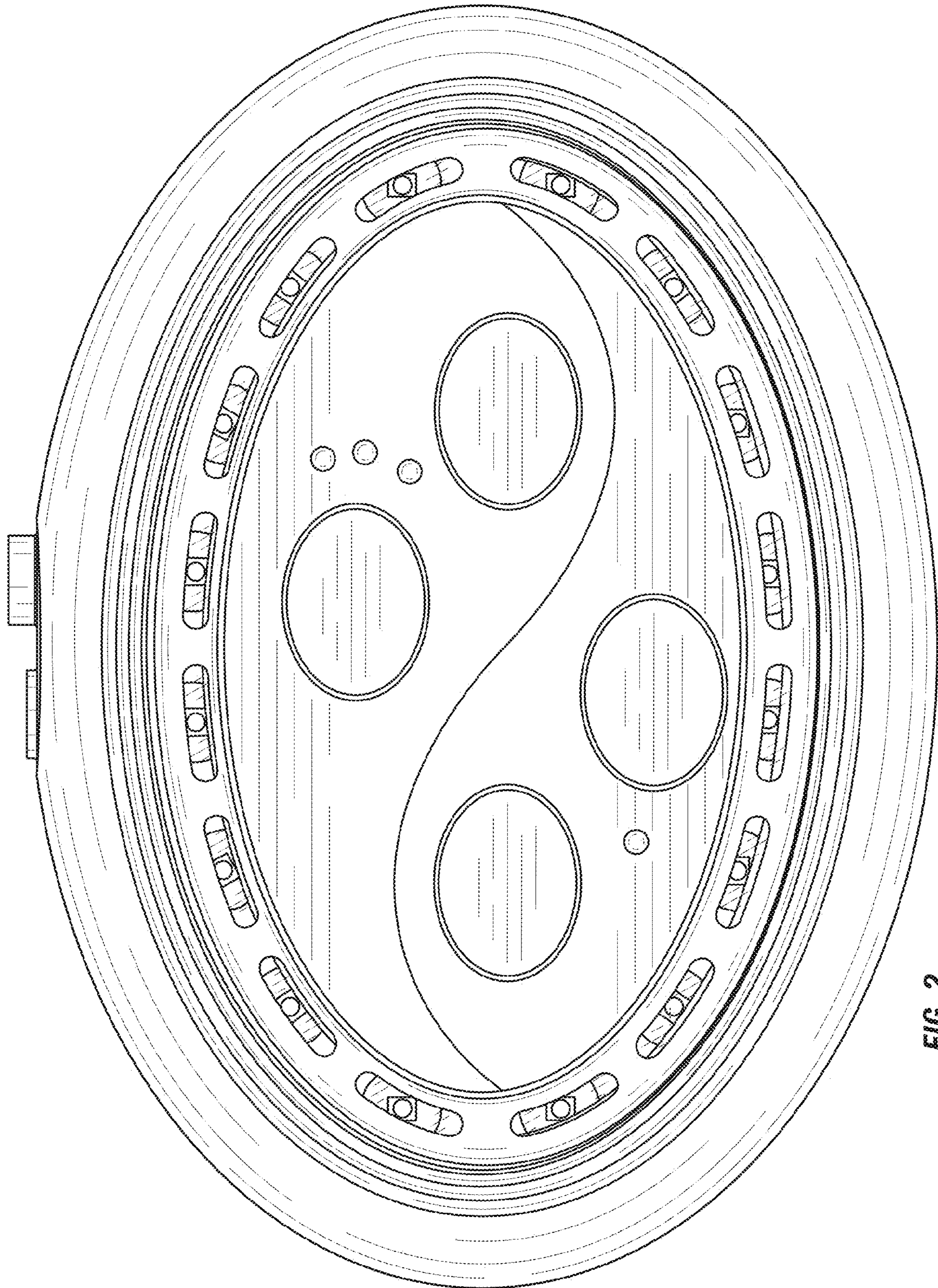


FIG. 2

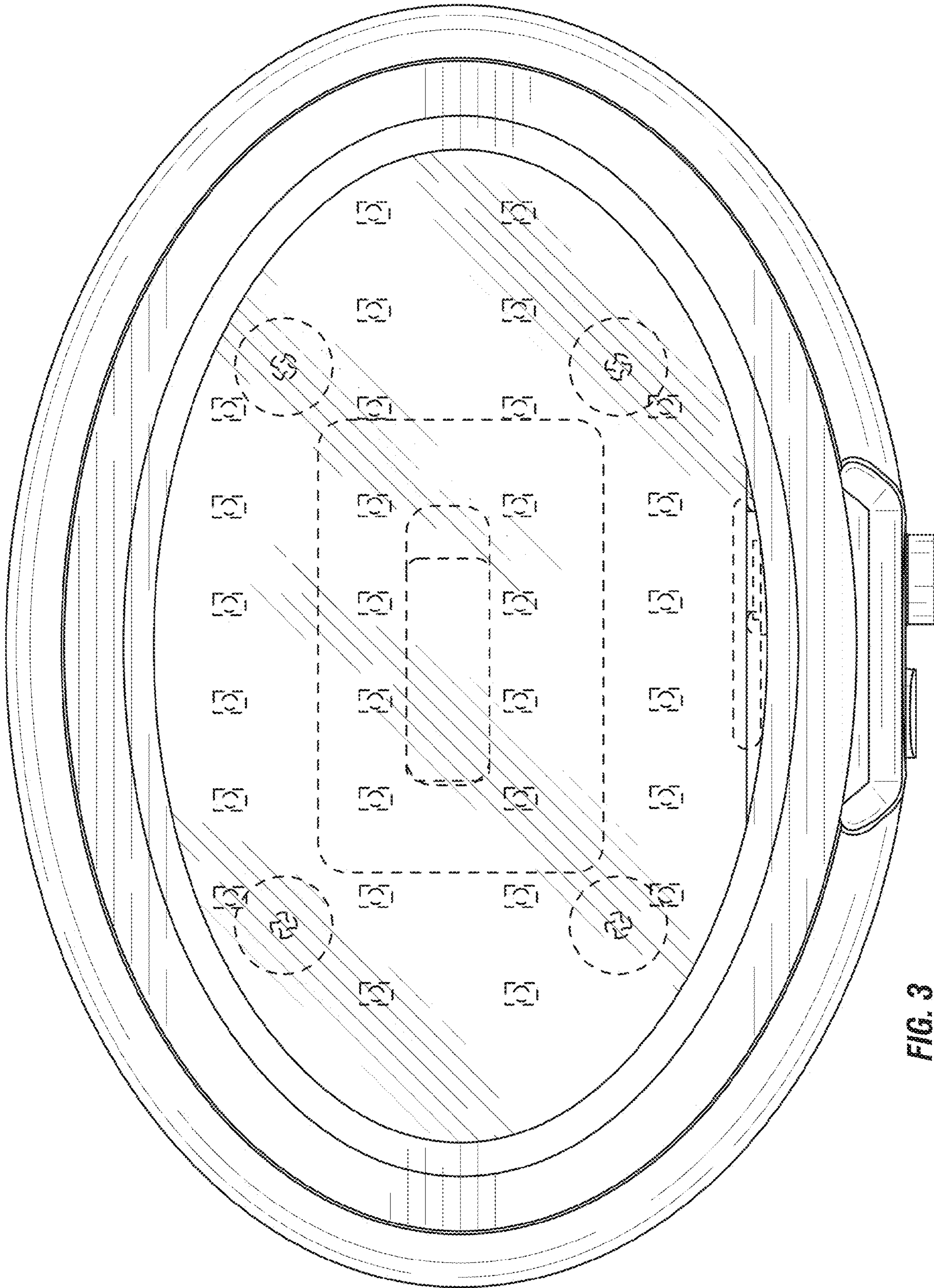


FIG. 3

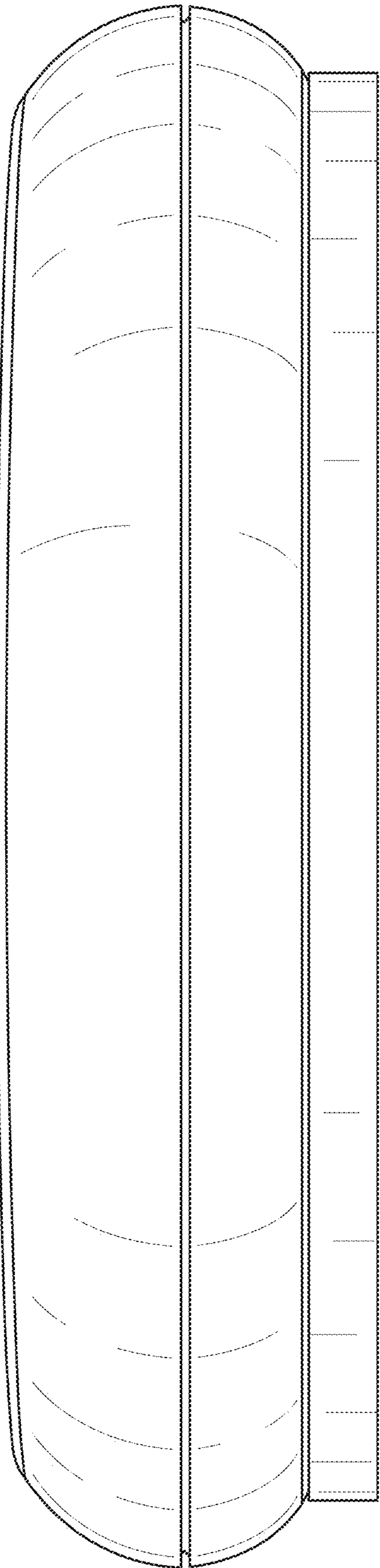


FIG. 4

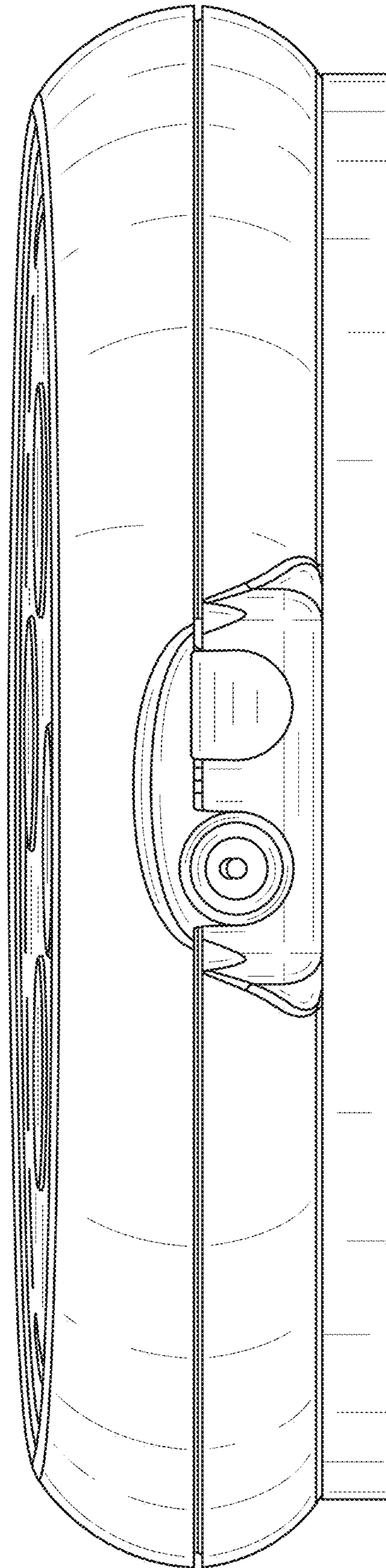


FIG. 5

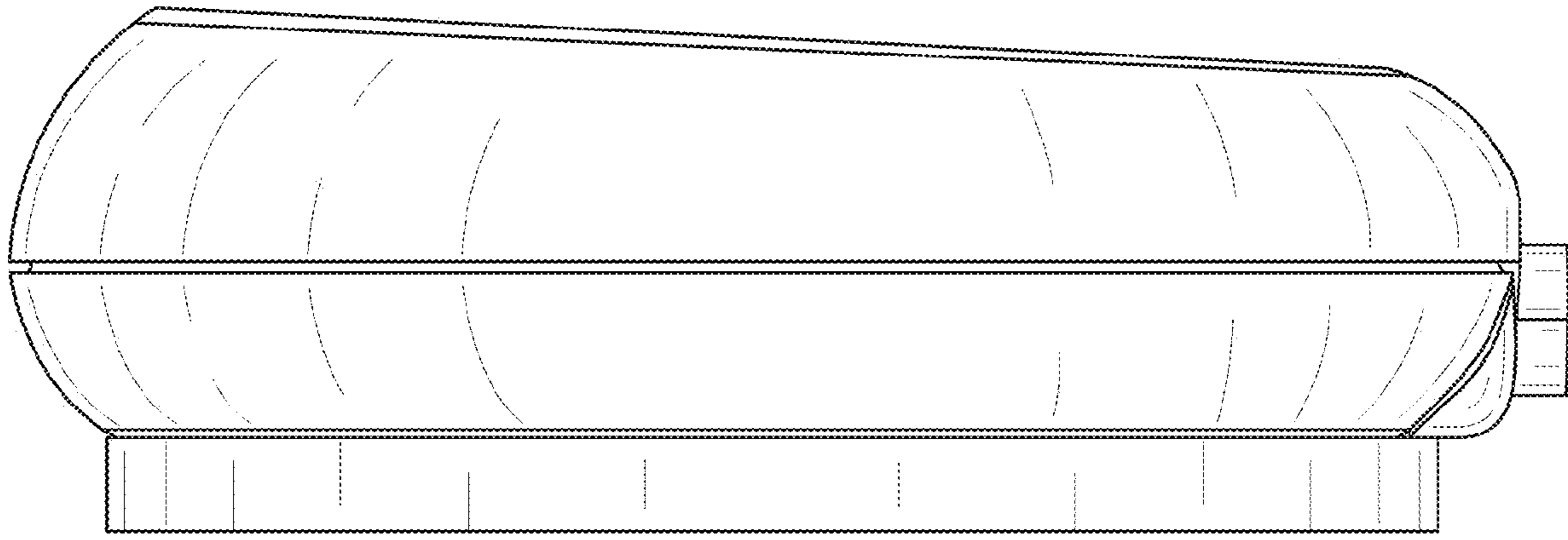


FIG. 6

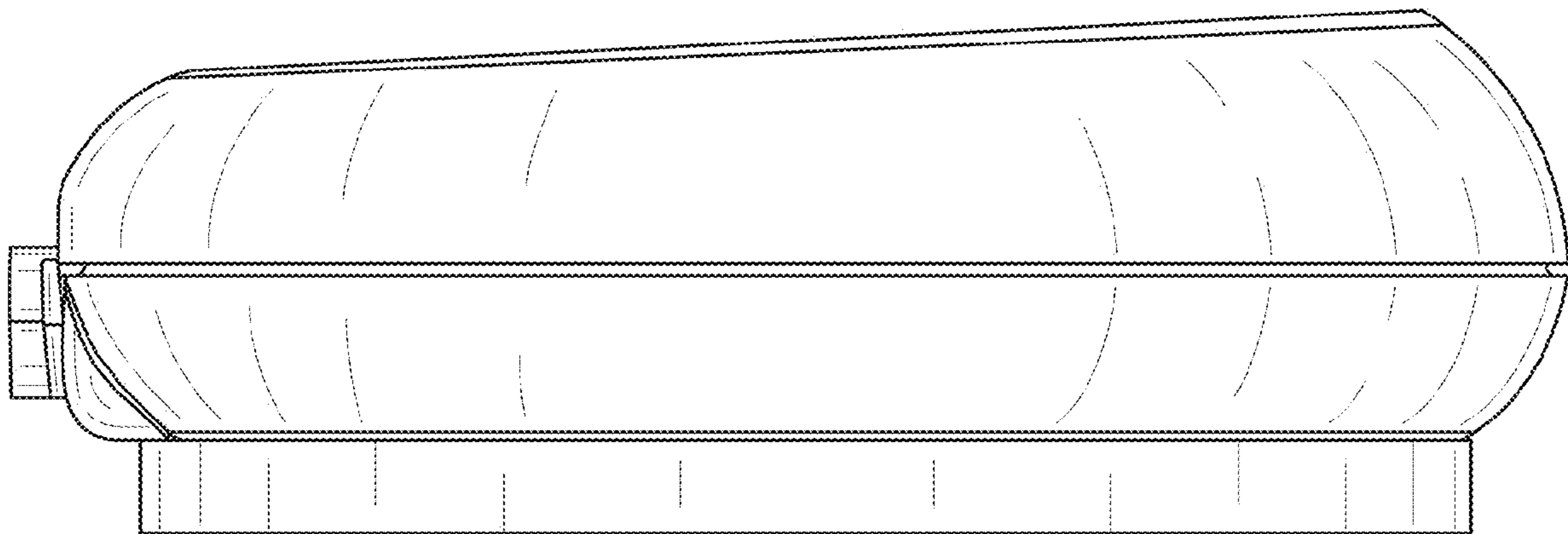


FIG. 7