



US00D925044S

(12) **United States Design Patent**
Calvert

(10) **Patent No.:** **US D925,044 S**

(45) **Date of Patent:** **** Jul. 13, 2021**

(54) **ADJUSTABLE MEDICINE CART**

(71) Applicant: **April Drusilla Calvert**, Cedar Bluff,
MS (US)

(72) Inventor: **April Drusilla Calvert**, Cedar Bluff,
MS (US)

(**) Term: **15 Years**

(21) Appl. No.: **29/695,987**

(22) Filed: **Jun. 24, 2019**

(51) **LOC (13) Cl.** **24-02**

(52) **U.S. Cl.**
USPC **D24/185**

(58) **Field of Classification Search**

USPC D3/203.1, 203.2, 203.3; D6/332, 641,
D6/642, 643, 643.1, 644, 645, 646, 647,
D6/649, 650, 650.1, 655, 655.1, 655.11,
D6/655.12, 655.13, 655.14, 655.15,
D6/655.16, 655.17, 655.18, 655.19, 655.2,
D6/655.21, 655.22, 655.23, 698, 700,
D6/701, 553, 559, 561, 563; D10/40;
D13/101, 112, 114, 118, 120, 121, 122;
D14/300, 301, 302, 307, 313, 314;
D15/199; D23/200, 202, 207, 209, 210,
D23/499; D24/100, 133, 144, 158, 159,
(Continued)

(56) **References Cited**

U.S. PATENT DOCUMENTS

D280,156 S * 8/1985 Allen D6/555
D303,894 S * 10/1989 Baus D6/559
D312,014 S * 11/1990 Friedman D6/553
D333,222 S * 2/1993 Ewing D6/561
D481,532 S * 11/2003 Sayers D3/203.1
(Continued)

FOREIGN PATENT DOCUMENTS

WO WO2014148977 9/2014

OTHER PUBLICATIONS

Amazon, "MEDca Weekly Pill Organizer", first available Apr. 26,
2015. (<https://www.amazon.com/MEDca-Organizer-Dispenser-Stackable-Compartments/dp/B06ZY8JQHG>) (Year: 2015).*

(Continued)

Primary Examiner — April Rivas
Assistant Examiner — Justin A Johnson

(57) **CLAIM**

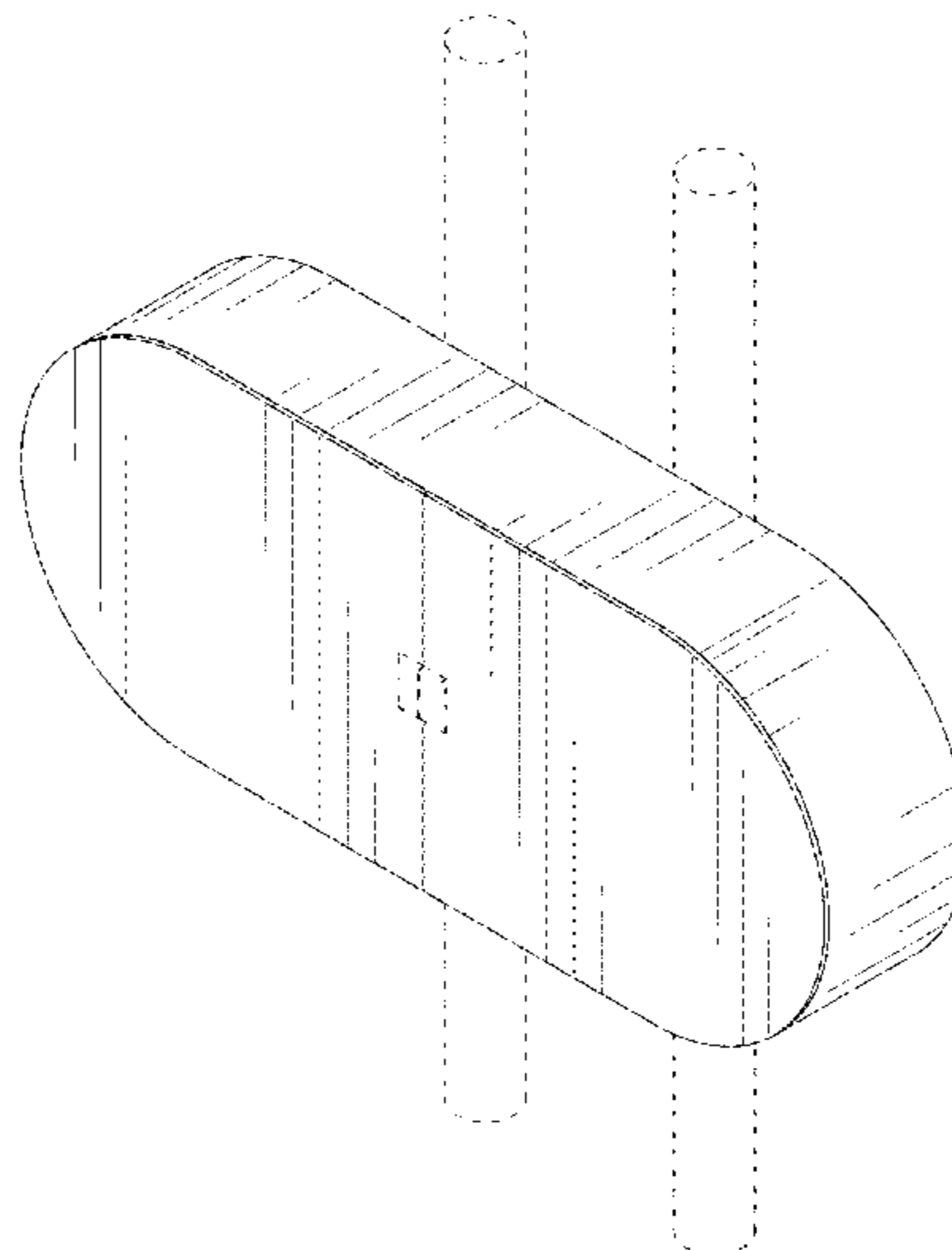
The ornamental design for an adjustable medicine cart, as
shown and described.

DESCRIPTION

FIG. 1 is a front-top-left perspective view of an adjustable
medicine cart showing my new design;
FIG. 2 is a rear-bottom-right perspective view thereof;
FIG. 3 is a front elevated view thereof;
FIG. 4 is a rear elevated view thereof;
FIG. 5 is a top plan view thereof;
FIG. 6 is a bottom plan view thereof;
FIG. 7 is a right elevated view thereof;
FIG. 8 is a left elevated view thereof;
FIG. 9 is a front-top-left perspective view thereof, showing
the adjustable medicine cart in an open configuration;
FIG. 10 is a rear-bottom-right perspective view thereof,
showing the adjustable medicine cart in the open configura-
tion;
FIG. 11 is a front-top-left perspective view thereof, showing
the adjustable medicine cart in the open configuration; and,
FIG. 12 is a front-bottom-right perspective view thereof,
showing the adjustable medicine cart in the open configura-
tion.

The broken lines showing of a rail assembly in FIG. 1-12,
the broken lines showing of a lock in FIG. 1, FIG. 3, FIG.
5-9, and FIG. 11-12, the broken lines showing of an inner
door compartment in FIGS. 9 and 11-12, and the broken
lines showing of a tray assembly in FIG. 9 and FIG. 11-12,
are included for the purpose of showing environmental
structure and form no part of the claimed design.

1 Claim, 12 Drawing Sheets



(58) **Field of Classification Search**

USPC D24/160, 162, 163, 164, 170, 177, 183,
D24/184, 185, 186, 187, 216, 217, 227,
D24/228, 229, 230, 231, 232, 233, 234;
D25/15; D34/12, 14
CPC A61B 17/00; A61B 2017/00013; A61B
2017/00199; A61B 2017/00212; A61B
17/00234; A61B 2017/00349; A61B
2017/00353; A61B 34/00; A61B 34/30;
A61B 2034/301; A61B 2034/302; A61B
2034/303; A61B 2034/304; A61B
2034/305; A61B 2034/306; A61B 34/32;
A61B 34/35; A61B 34/37; A61B 90/40;
A61B 2090/401; A61B 50/00; A61B
50/10; A61B 2050/105; A61B 50/13;
A61B 50/15; A61B 2050/185; A61B
50/20; A61B 2050/21; A61B 50/22; A61B
50/24; A61B 50/26; A61B 50/30; A61B
50/3001; A61B 2050/3004; A61B
2050/3005; A61B 2050/3006; A61B
2050/3007; A61B 2050/3008; A61B
2050/3009; A61B 2050/3011; A61B
34/20; A61B 50/33; A61B 50/34; A61B
5/0033; A61B 5/0035; A61B 5/0036;
A61B 5/0037; A61B 5/004; A61B
5/0042; A61B 5/0044; A61G 12/00;
A61G 12/001; A61G 12/002; A61G
12/004; A61G 12/005; A61G 12/007;
A61G 12/008; A61J 7/00; A61J 7/0069;
A61J 7/0076; A61J 7/0084; A61J 7/02;
A61J 7/04; A61J 7/0409; A61J 7/0418;
A61J 7/0427; A61J 7/0436; A61J 7/0445;
A61J 7/0454; A61J 7/0463; A61J 7/0472;
A61J 7/0481; A61J 7/049; B01L
3/502707; B01L 3/5027; B62B 3/00;
B62B 3/002; B62B 3/02; B62B 5/06;
B62B 5/061; B62B 5/064; B62B 5/065;
B62B 5/066; B62B 5/067; B65D 83/04;
B65D 83/0409; B65D 83/0418; B65D
83/0427; B65D 83/0436; B65D 83/0445;
B65D 83/0454; B65D 83/0463; B65D

83/0472; B65D 83/0481; B65D 83/049;
G02F 1/00; G02F 1/01; G09G 3/00;
G09G 3/006; G09G 3/34; G09G 3/3406;
G09G 3/3413; G09G 3/342; G09G
3/3426; G16H 20/00; G16H 20/10; G16H
20/13; G16H 20/17; G16H 20/30; G16H
20/40; G16H 20/60; G16H 20/70; G16H
20/90; G16H 40/00; G16H 40/60; Y10T
137/00

See application file for complete search history.

(56)

References Cited

U.S. PATENT DOCUMENTS

D516,801	S	*	3/2006	Jones, III	A61M 5/31 D3/203.2
D518,287	S	*	4/2006	Margiotta	A47B 67/02 D3/203.3
D545,563	S	*	7/2007	Margiotta	D3/203.3
D580,203	S	*	11/2008	Shapiro	D6/559
7,775,000	B2		8/2010	Walker et al.		
8,891,243	B2		11/2014	Tanaka et al.		
9,879,435	B2		1/2018	Kruger et al.		
D889,164	S	*	7/2020	Frontani	D6/559
D895,959	S	*	9/2020	Guo	D3/203.3
2004/0168250	A1		9/2004	Yoo		
2007/0018433	A1		1/2007	Sinnamon et al.		
2016/0314262	A1*		10/2016	Lauchard	A61M 5/31
2020/0375355	A1*		12/2020	Calvert	A47B 67/02

OTHER PUBLICATIONS

Amazon, "Pill Box 7 Day gLoaSublim", first available Apr. 5, 2019. (<https://www.amazon.com/gLoaSublim-Compartments-Portable-Organizer-Container/dp/B07K82CGS9?th=1>) (Year: 2019).*

Ebay, "NOOSA 900x450mm Oval Pill Shaped Matte White Polyurethane Mirror Shaving Cabinet", first available Nov. 28, 2020. (<https://www.ebay.com.au/itm/254791981528>) (Year: 2020).*

Artemest, "Capsule Cabinet by Luca Barengo", first accessed Jan. 6, 2021. (<https://artemest.com/products/capsule-cabinet-by-luca-barengo>) (Year: 2021).*

Hansen & Guldborg Mobler, Hansen & Guldborg Adjustable Teak Wall Cabinet, chairish.com.

* cited by examiner

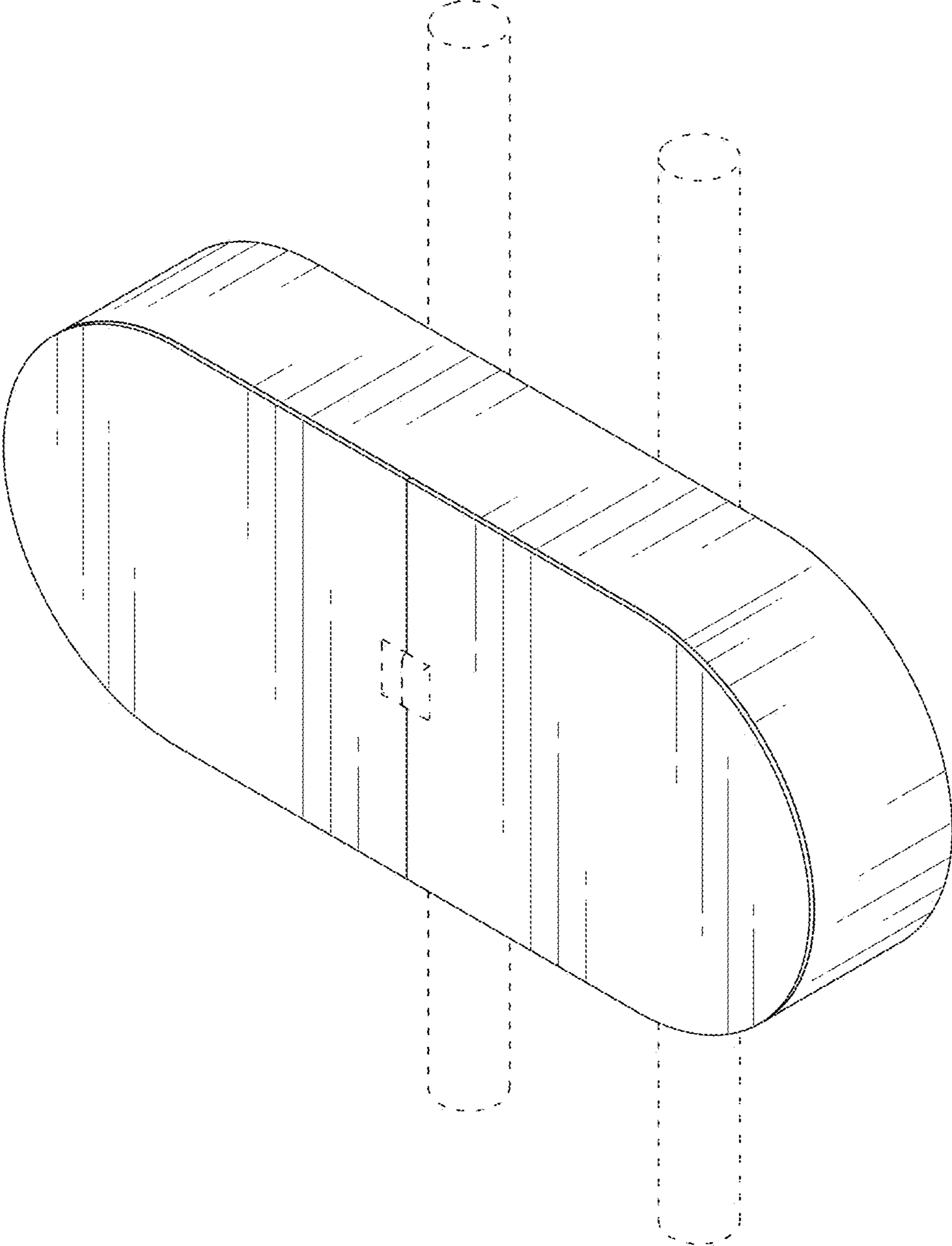


FIG. 1

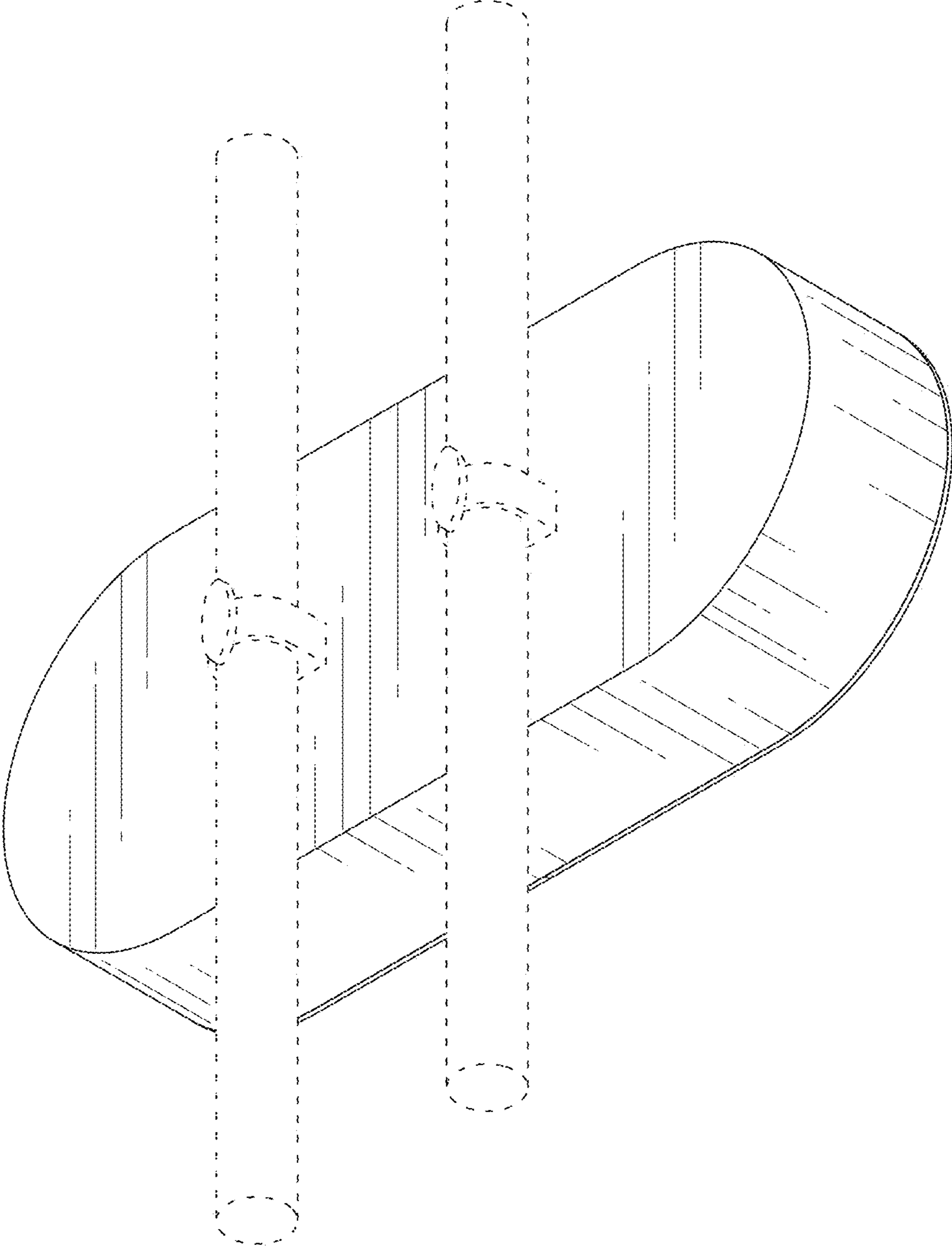


FIG. 2

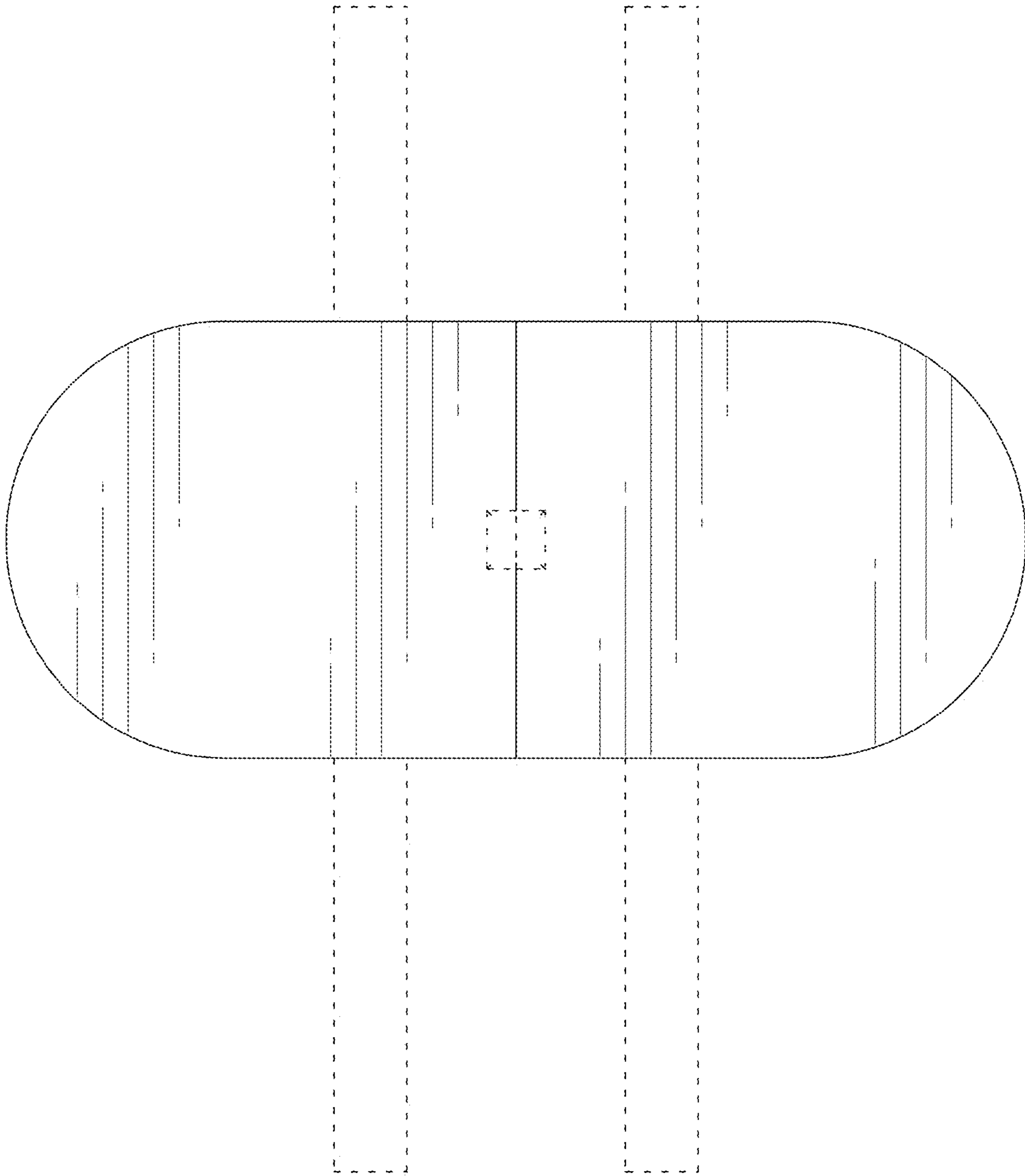


FIG. 3

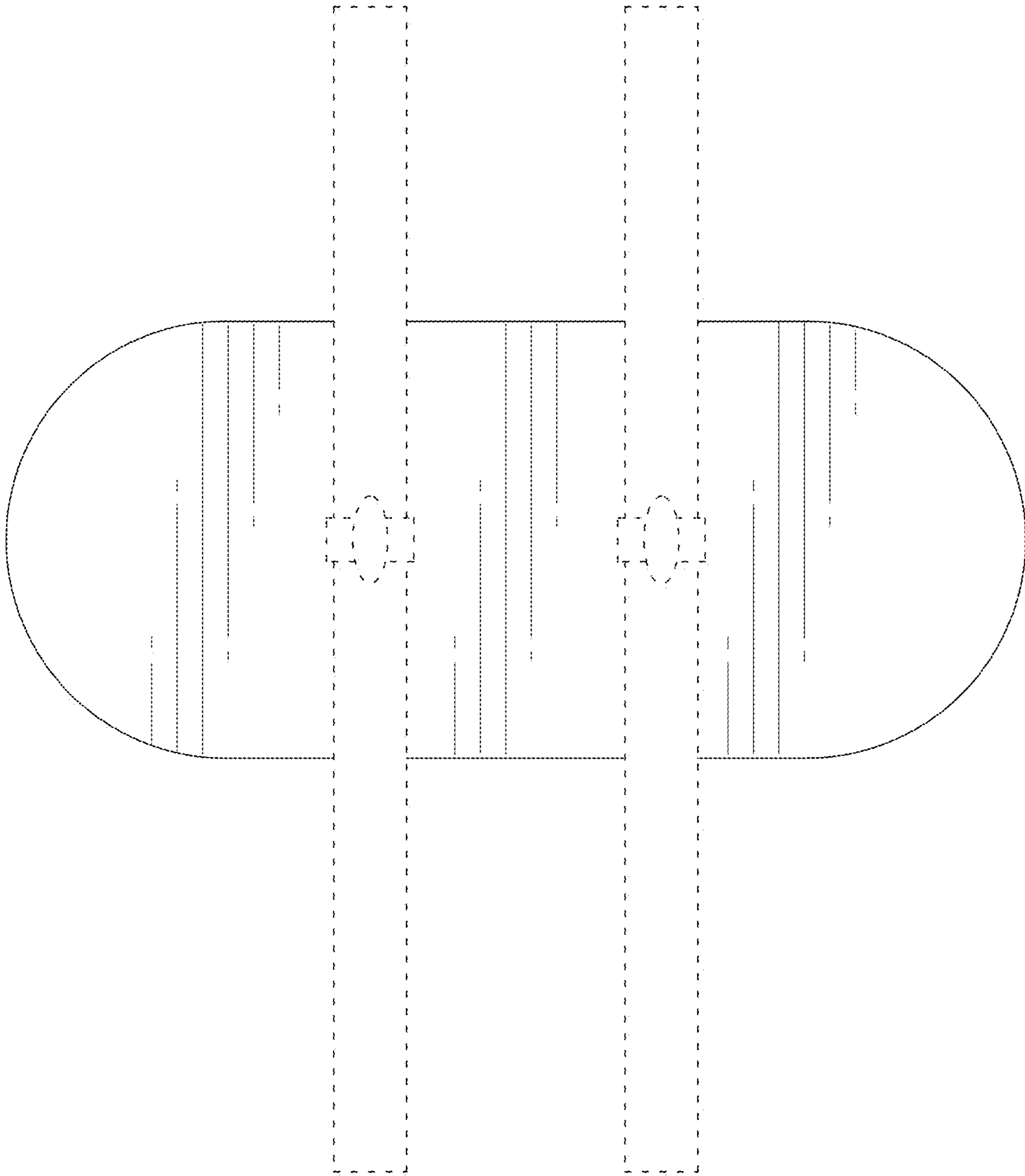


FIG. 4

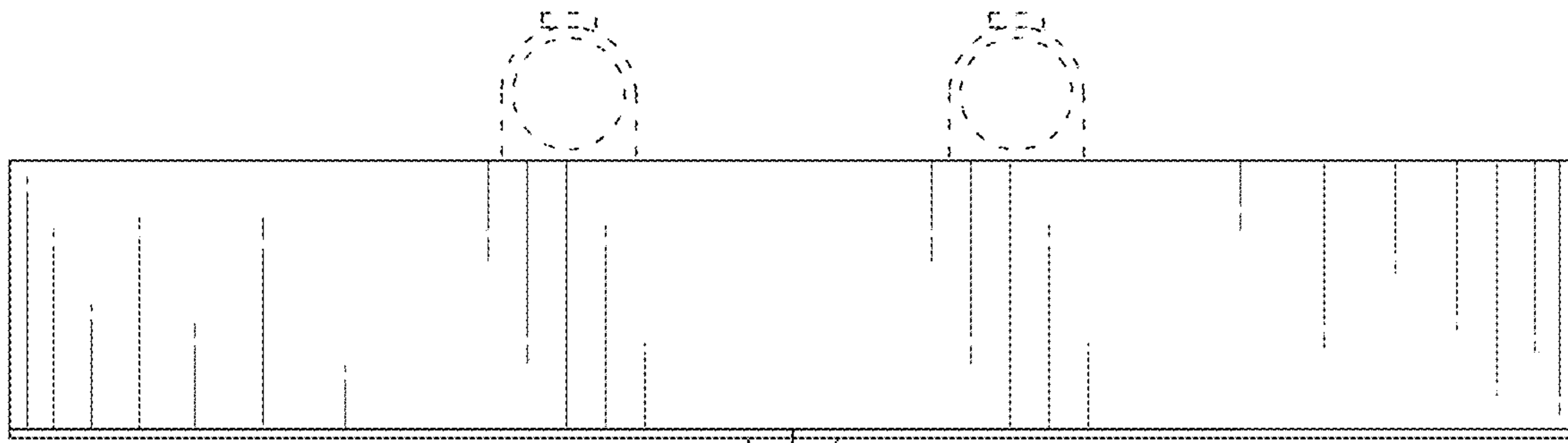


FIG. 5

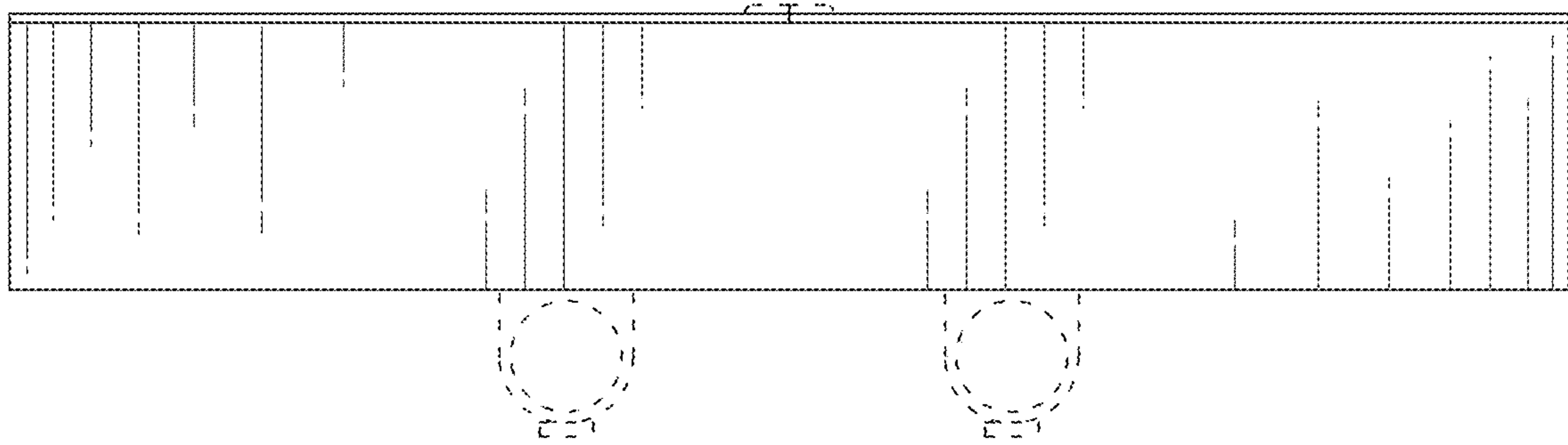


FIG. 6

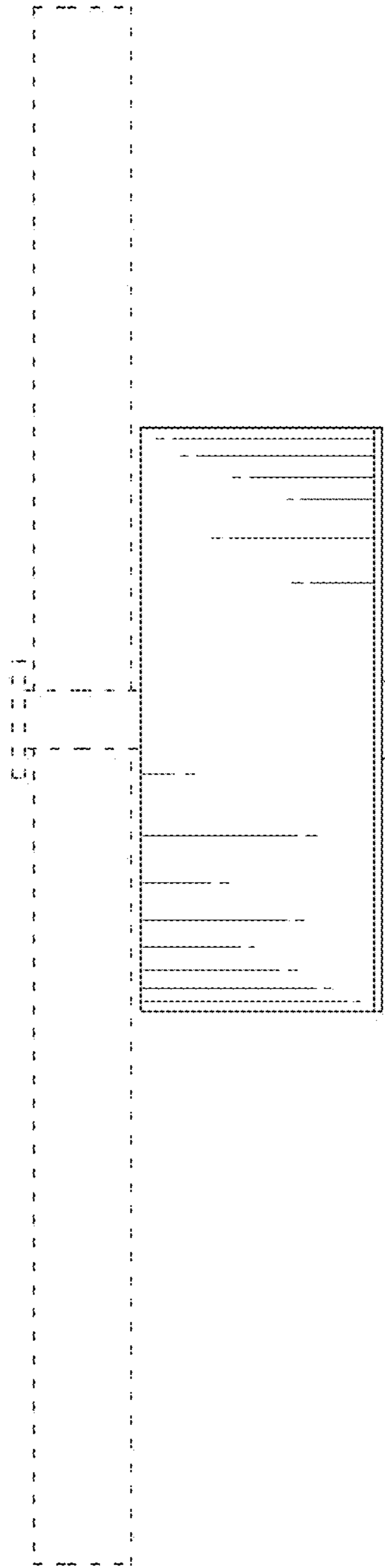


FIG. 7

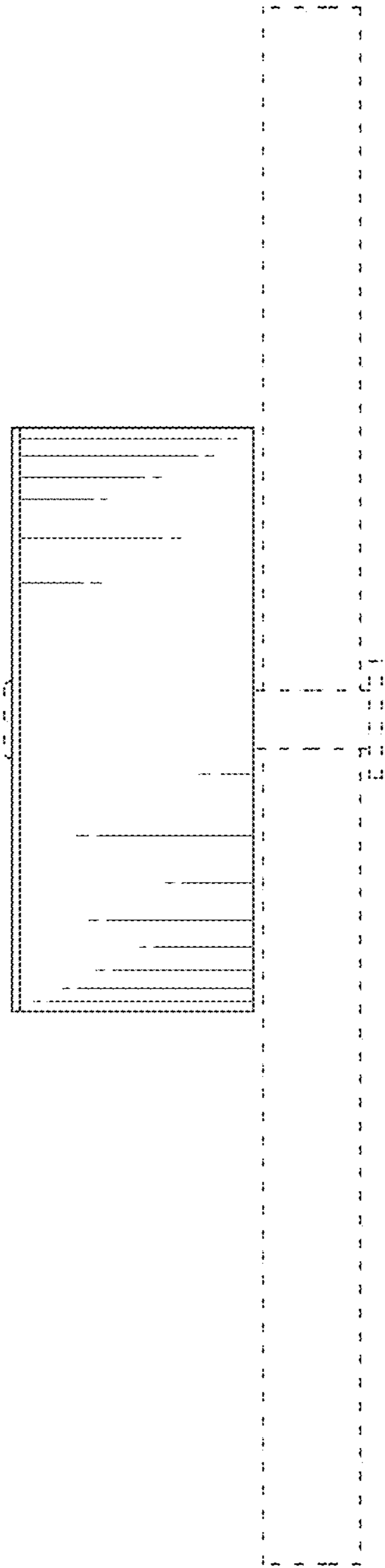


FIG. 8

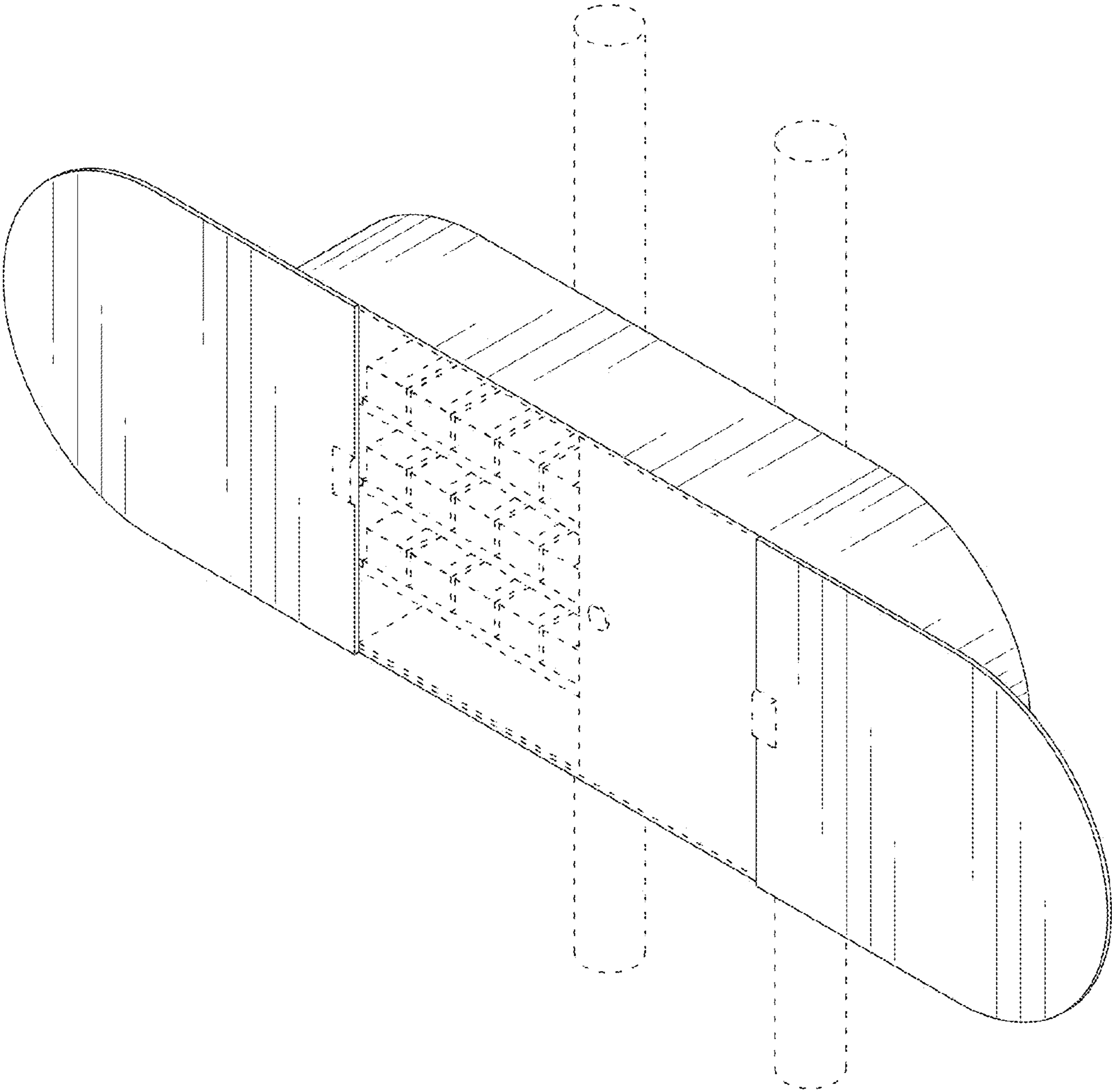


FIG. 9

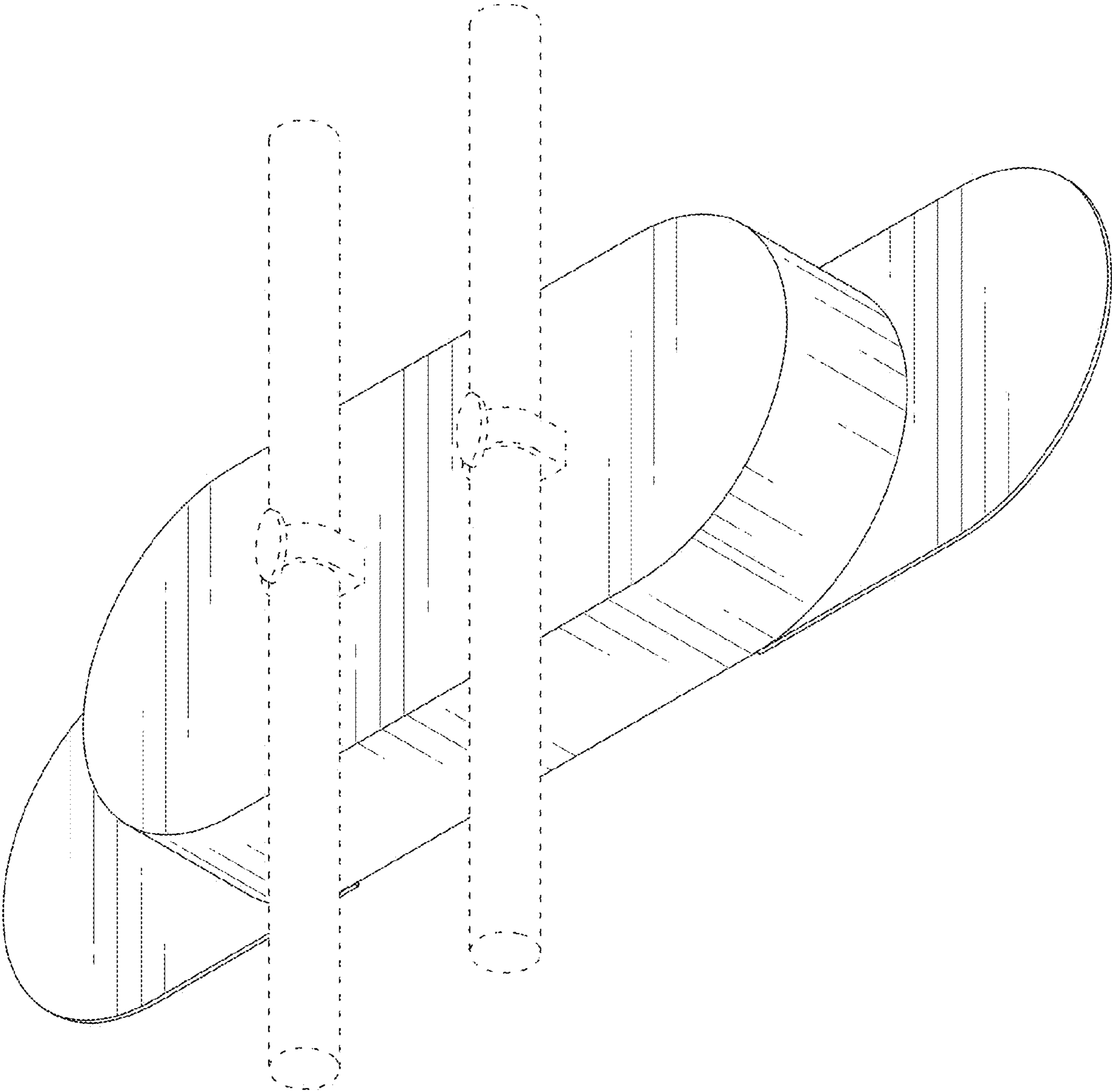


FIG. 10

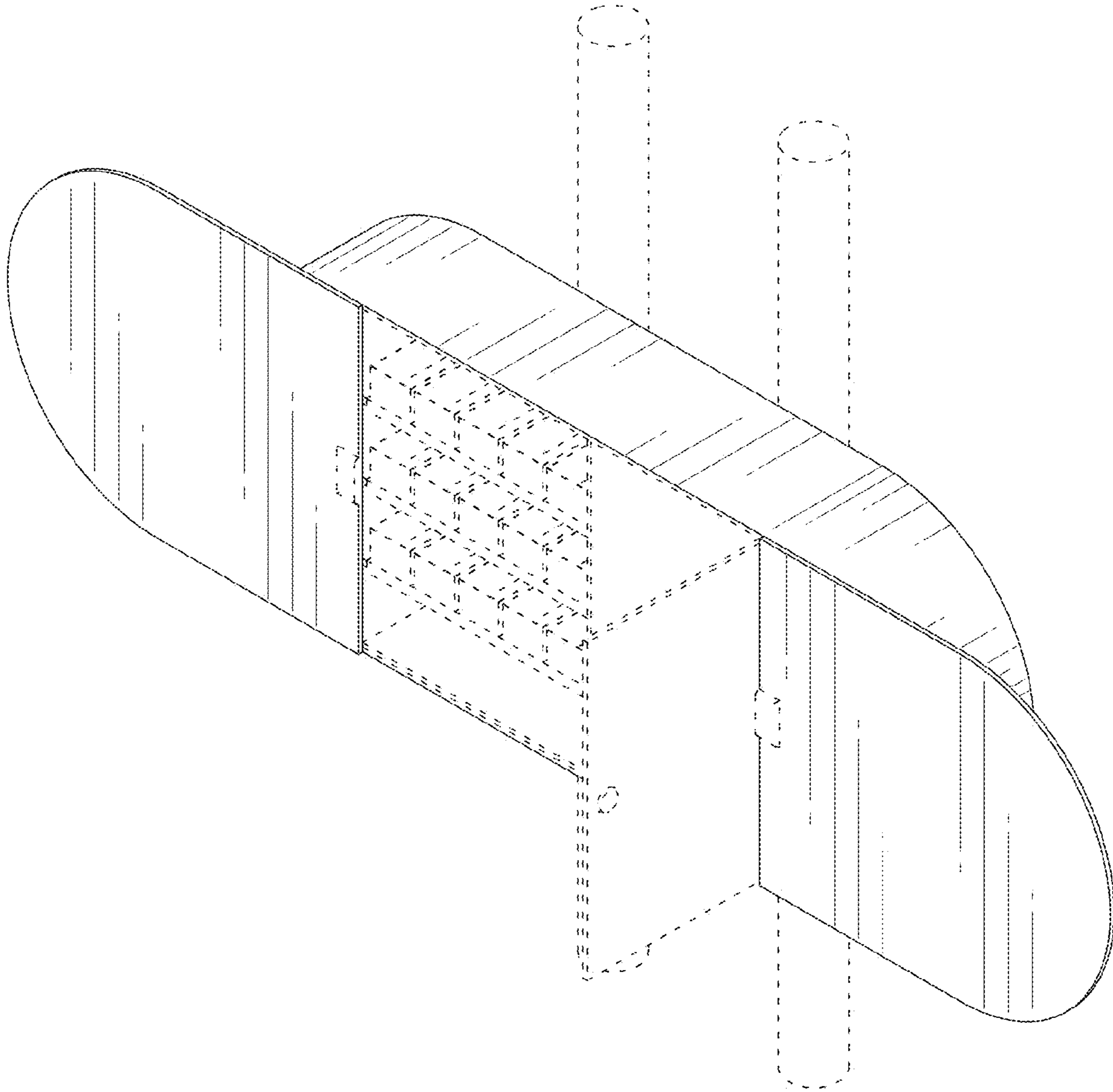


FIG. 11

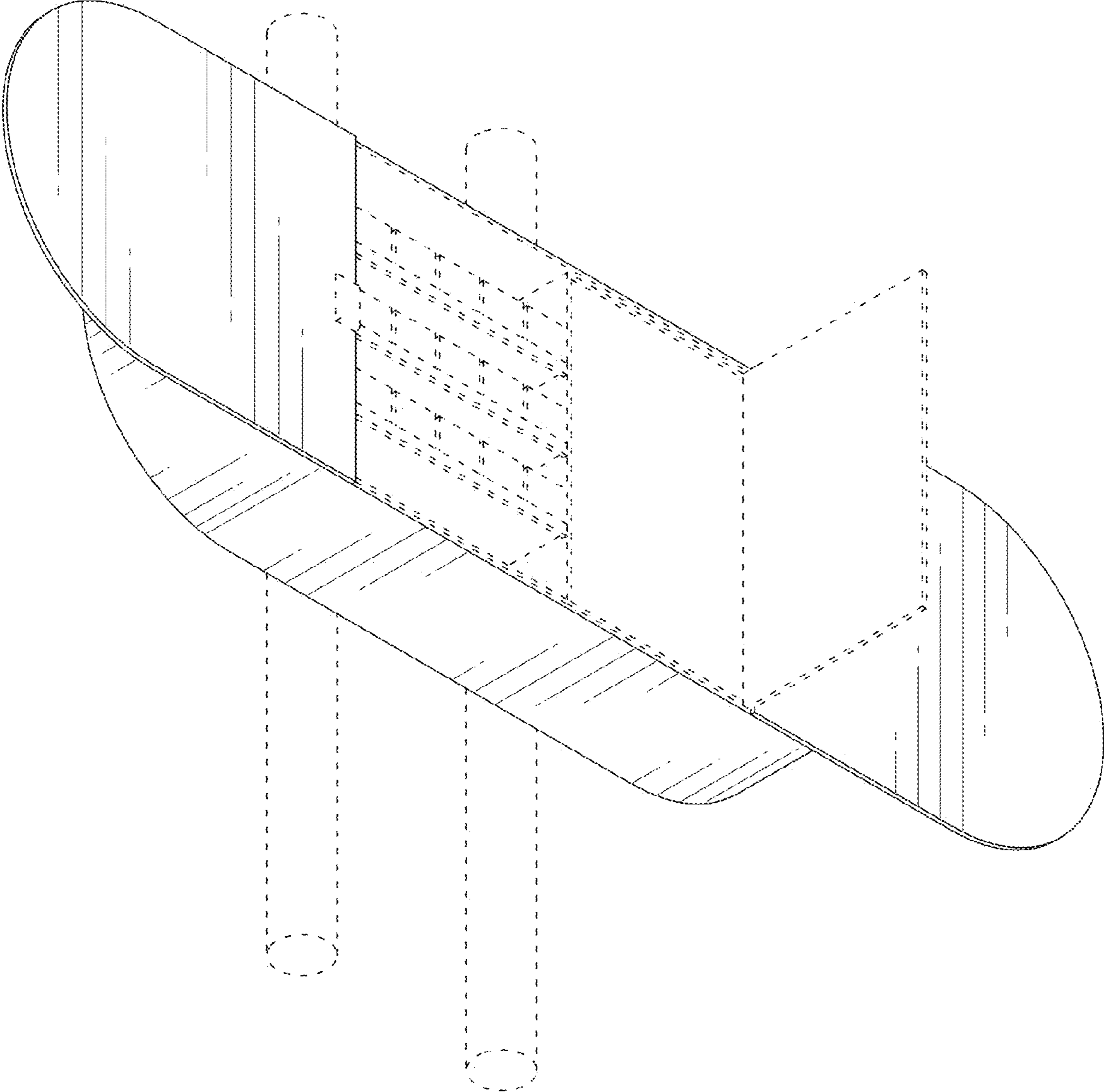


FIG. 12