



US00D925042S

(12) **United States Design Patent** (10) **Patent No.:** **US D925,042 S**
Thao et al. (45) **Date of Patent:** **** Jul. 13, 2021**

(54) **DENTAL COMPOSITE SHADE GUIDE**

A01B 1/22; A01D 1/14; A47B 95/02;
A47B 2095/022; A47B 2095/023; A47B
2220/0047; A47B

(71) Applicant: **3M Innovative Properties Company**,
St. Paul, MN (US)

(Continued)

(72) Inventors: **Fusu Thao**, Cottage Grove, MN (US);
Philip N. Stankard, Minneapolis, MN
(US); **Michael J. Vostal**, Minneapolis,
MN (US); **Lois F. Duerst**, Hudson, WI
(US); **Dylan R. Johnson**, St. Paul, MN
(US)

(56) **References Cited**

U.S. PATENT DOCUMENTS

1,327,306 A * 1/1920 Berger A61C 19/10
433/26
1,518,608 A * 12/1924 Short A61C 19/10
433/26
D118,318 S * 12/1939 Fortunati D24/147

(Continued)

(73) Assignee: **3M Innovative Properties Company**,
St. Paul, MN (US)

OTHER PUBLICATIONS

Dental Base Light, [site visited Nov. 19, 2020]. Available from
Internet. URL: <https://www.amazon.com/Dental-Light-Tri-Spectra-Colorimetric-cont.-Year-2020>.*

(**) Term: **15 Years**

Primary Examiner — T Chase Nelson

Assistant Examiner — Kelly L Gross

(21) Appl. No.: **29/683,361**

(22) Filed: **Mar. 12, 2019**

(51) **LOC (13) Cl.** **24-02**

(52) **U.S. Cl.**
USPC **D24/176**

(58) **Field of Classification Search**
USPC D24/108, 112, 113, 114, 117, 118, 119,
D24/127, 130, 133, 144, 146, 147, 148,
D24/185, 186, 129, 172, 173, 174, 176,
D24/135, 149, 134, 138, 145, 128, 214,
D24/215, 105, 208, 211, 220, 177-182;
D8/20, 14, 17, 98, 99, 100, 105, 47, 1,
D8/6-13, 94, 107, 315, 316, 317, 303,
D8/321, 322; D19/96; D28/7, 21, 25,
D28/29, 30, 39, 54, 74, 75, 76, 77;
D4/101, 104, 108, 110, 111, 112, 113;
D6/522, 524; D20/10, 17, 41

CPC A61H 2201/0153; A61H 19/00; A61H
19/40; A61H 2205/087; A61K 13/02;
A45D 24/02; A45D 24/04; A45D 24/36;
A61C 15/00; A61C 19/00; A61C 19/10;
A61B 17/244; A61B 13/00; A61B
2017/00398; A46B 15/0069; A46B
15/0071; A46B 220/1066; A46B 5/02;

DESCRIPTION

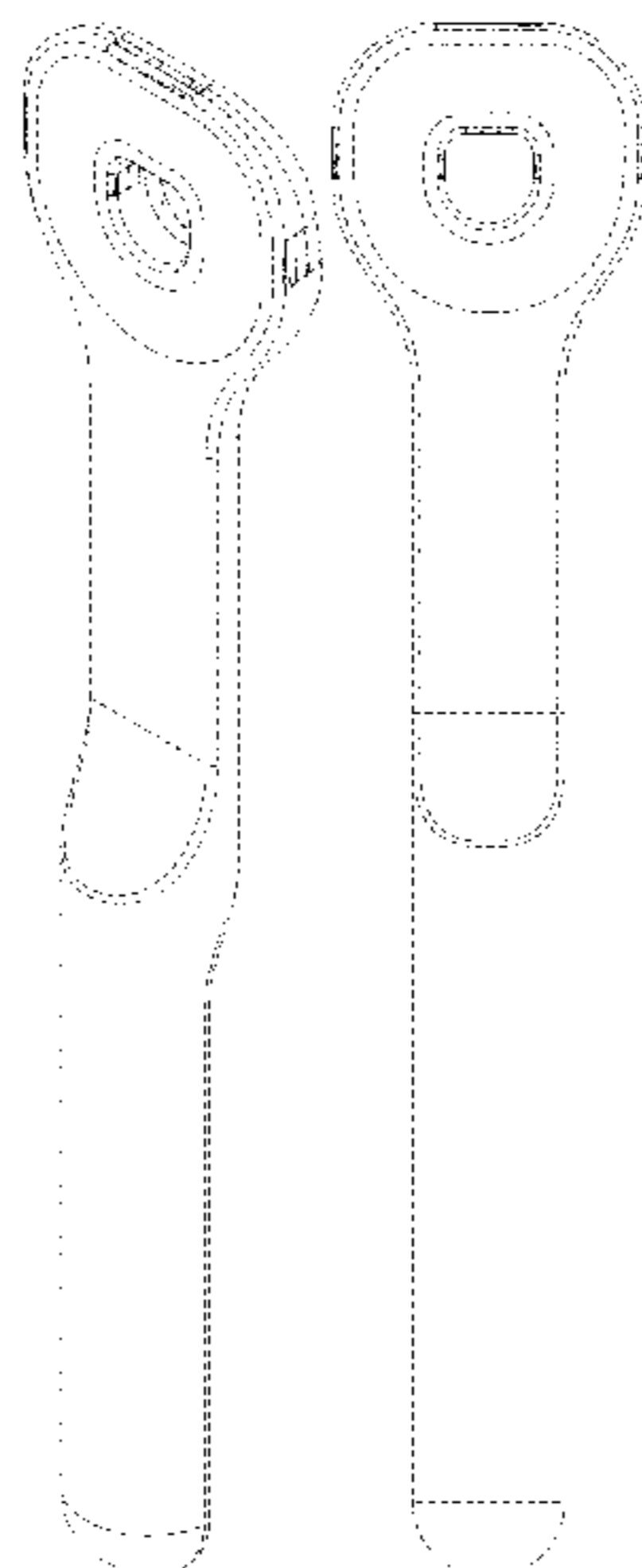
(57) **CLAIM**

The ornamental design for a dental composite shade guide,
as shown and described.

FIG. 1 is a perspective view of a dental composite shade
guide;
FIG. 2 is a front view thereof;
FIG. 3 is a back view thereof;
FIG. 4 is a right side view thereof;
FIG. 5 is a left side view thereof;
FIG. 6 is a top view thereof; and,
FIG. 7 is a bottom view thereof.

The even-length broken lines in the figures are for illustra-
tive purposes only, showing portions of the dental composite

(Continued)



shade guide that form no part of the claimed design. The dot-dashed lines show the bounds of the claimed design and form no part thereof.

1 Claim, 3 Drawing Sheets

(58) Field of Classification Search

CPC 2095/024; A47B 2095/025; F24C 15/00;
F24C 15/02; F25D 23/00; F25D 23/02
See application file for complete search history.

(56) References Cited

U.S. PATENT DOCUMENTS

D122,815 S * 10/1940 Crosby D4/108
3,964,167 A * 6/1976 Yerkes, Jr. A61C 19/10
433/26
4,618,325 A * 10/1986 Appelle A61C 19/10
433/26
4,657,399 A 4/1987 Hall
4,810,193 A * 3/1989 Wieder A61C 19/10
433/26
D301,372 S * 5/1989 Tsen D24/147
D311,455 S * 10/1990 Snipes D4/129
D314,108 S * 1/1991 Chap D6/523
5,066,227 A * 11/1991 Pozzi A61C 19/10
433/26
5,078,598 A * 1/1992 Neisse A61C 19/10
433/26
5,114,340 A 5/1992 Hahn
D328,348 S * 7/1992 Neisse D24/176
D342,864 S * 1/1994 Schmidt D7/393
D377,099 S * 12/1996 Howe D24/181
5,558,834 A 12/1996 Resk
D384,153 S * 9/1997 Potti A61C 17/00
D24/147
D384,552 S * 10/1997 Baumgarten D7/393
D385,962 S * 11/1997 Conrey D24/147
5,709,004 A * 1/1998 Paduano A46B 15/0055
132/309
D393,190 S * 4/1998 Garrison D8/10
5,779,475 A * 7/1998 Patel A46B 15/00
15/236.08
D404,487 S * 1/1999 Bertella D24/147
D408,234 S * 4/1999 Roof D8/7
D408,534 S * 4/1999 Jansheski D24/147
5,916,228 A * 6/1999 Ripich A61B 17/244
15/111
5,989,022 A * 11/1999 Yamamoto B44D 3/003
433/26
D417,597 S * 12/1999 Sutliff D8/8
D420,742 S * 2/2000 Noble D24/146
D429,569 S * 8/2000 Miller D28/64.4
6,315,554 B1 11/2001 Coste
D469,874 S * 2/2003 Bryant D24/155
D484,978 S * 1/2004 Syal D24/147
D501,891 S * 2/2005 Kaplan D20/41
D506,008 S * 6/2005 Sawford D24/180
D515,817 S * 2/2006 Siemer D4/108
D518,252 S * 3/2006 Wu D32/14
D528,207 S * 9/2006 Kling D24/146
7,128,573 B2 * 10/2006 Pameijer A61C 19/10
433/26
D532,049 S * 11/2006 Ludlow D20/22
D551,497 S * 9/2007 Rae D7/394
7,326,052 B2 * 2/2008 Odanaka A61C 19/10
433/203.1
D567,945 S * 4/2008 Foster D24/147
D571,470 S * 6/2008 Jansheski D24/147
D578,346 S * 10/2008 Rae D7/394
D580,703 S * 11/2008 Devries D7/393
D583,943 S * 12/2008 Zaksenberg D24/147

D584,104 S * 1/2009 Munari D7/393
D588,365 S * 3/2009 Conway D4/138
D598,118 S * 8/2009 Schiavoni D24/194
D598,703 S * 8/2009 Tetreault D7/394
D618,973 S * 7/2010 Gosselin D8/10
D636,647 S * 4/2011 Hu D8/28
D637,037 S * 5/2011 Bergne D7/395
D638,628 S * 5/2011 Nanda D4/108
D651,808 S * 1/2012 Nguyen D4/108
D652,925 S * 1/2012 Nanda D24/147
D668,128 S * 10/2012 Masalin D8/107
D670,538 S * 11/2012 Rutter D7/395
D687,260 S * 8/2013 Rae D7/394
D696,065 S * 12/2013 Rae D7/394
D696,902 S * 1/2014 Rae D7/395
8,708,684 B2 * 4/2014 Oguri B29C 43/18
425/174.4
D709,760 S * 7/2014 Castell, Jr. D9/434
D713,680 S * 9/2014 Rae D7/395
D723,169 S * 2/2015 Ciesielka D24/161
D731,265 S * 6/2015 Clark D8/1
D736,379 S * 8/2015 Wong B44D 3/003
D24/147
D737,983 S * 9/2015 Terakawa D24/181
D737,984 S * 9/2015 Terakawa D24/181
D746,102 S * 12/2015 Zucchi D7/395
D751,752 S * 3/2016 Dodge D26/120
D755,896 S * 5/2016 Williams D20/43
D758,591 S * 6/2016 Watzke D24/176
D765,249 S * 8/2016 Smith D24/147
D778,697 S * 2/2017 Tao D8/14
9,610,470 B1 * 4/2017 Eshet A63B 21/4049
D791,235 S * 7/2017 Pumphrey D20/10
9,808,060 B2 * 11/2017 Chiang A45C 13/262
D804,583 S * 12/2017 Exley D21/483
D810,200 S * 2/2018 Adelman D20/22
D828,087 S * 9/2018 Munari D7/395
D828,140 S * 9/2018 Garland D8/316
D837,528 S * 1/2019 Holliday D4/108
D843,166 S * 3/2019 Barberi D7/394
D845,069 S * 4/2019 Lee D7/395
D859,965 S * 9/2019 Borloz D8/380
D861,355 S * 10/2019 Dovellos D4/138
D870,463 S * 12/2019 Dovellos D4/138
D878,895 S * 3/2020 Brook D8/315
D881,897 S * 4/2020 Taylor D14/447
D898,509 S * 10/2020 Barberi D7/393
D914,212 S * 3/2021 Thies D24/145
D914,962 S * 3/2021 Slate D27/193
D915,162 S * 4/2021 Garrett D8/14
D915,848 S * 4/2021 Cai D8/14
D916,409 S * 4/2021 Liao D32/46
2001/0004701 A1 * 6/2001 Rosenblood A61B 17/244
606/161
2005/0164144 A1 * 7/2005 Streib G01J 3/10
433/26
2005/0202362 A1 * 9/2005 Ostler A61C 19/063
433/26
2005/0260535 A1 * 11/2005 Costaras A46B 15/0002
433/26
2005/0260536 A1 * 11/2005 Costaras A61C 19/10
433/26
2005/0287489 A1 * 12/2005 Odanaka A61C 19/10
433/26
2006/0052805 A1 * 3/2006 Cwik A61B 17/244
606/161
2006/0058821 A1 * 3/2006 Jansheski A61B 17/244
606/161
2009/0130637 A1 * 5/2009 Pantangco, III A61B 17/244
433/216
2009/0233253 A1 9/2009 Mrazek
2011/0067190 A1 * 3/2011 Brattesani A46B 15/0055
15/106
2013/0000658 A1 * 1/2013 Nguyen A46B 15/0071
132/200

* cited by examiner

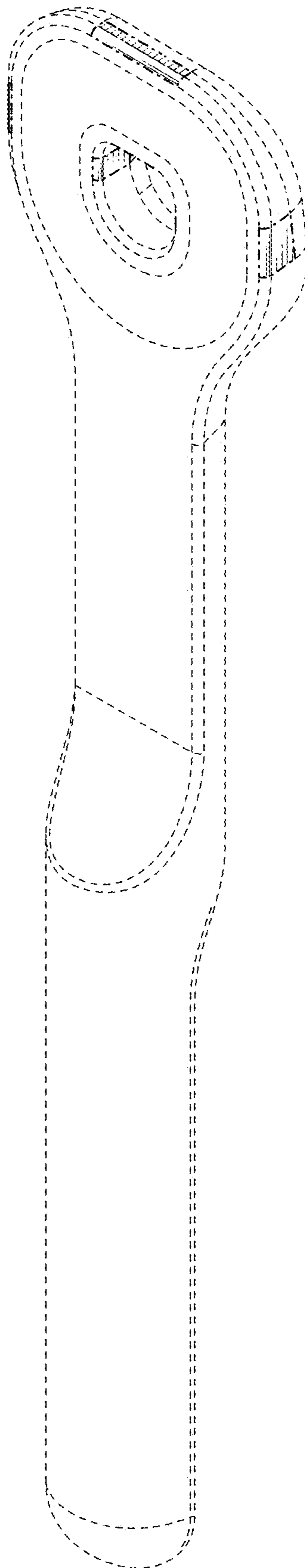


FIG. 1

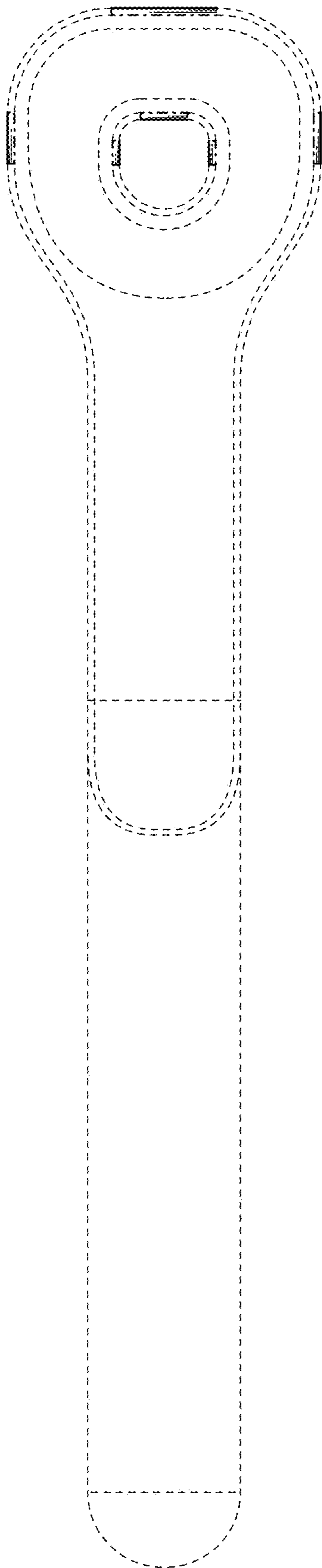


FIG. 2

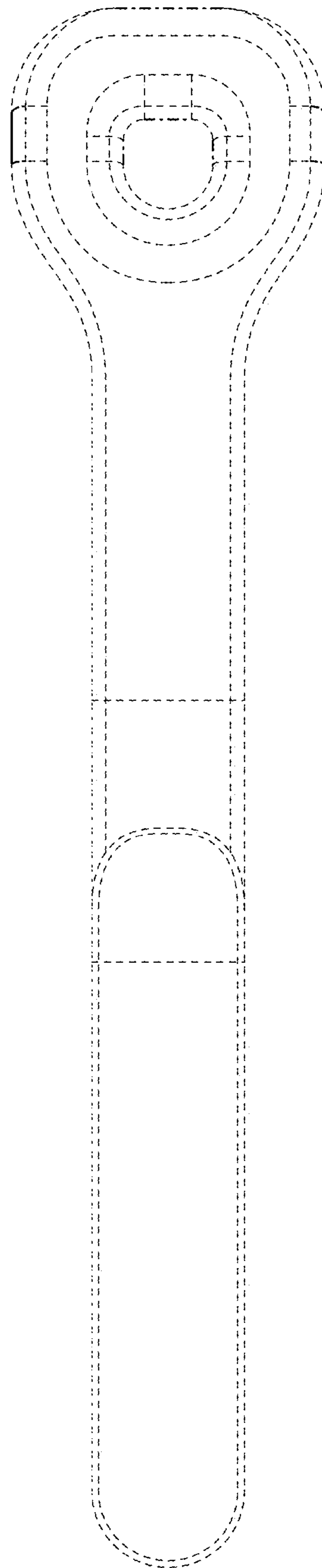


FIG. 3

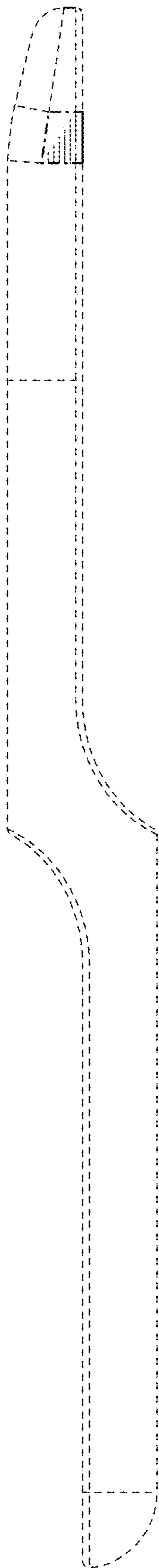


FIG. 4

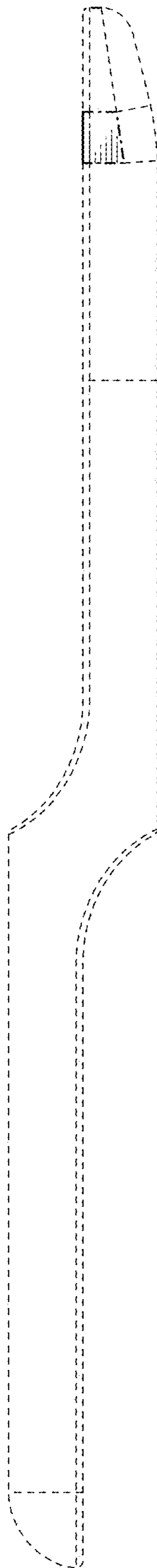


FIG. 5

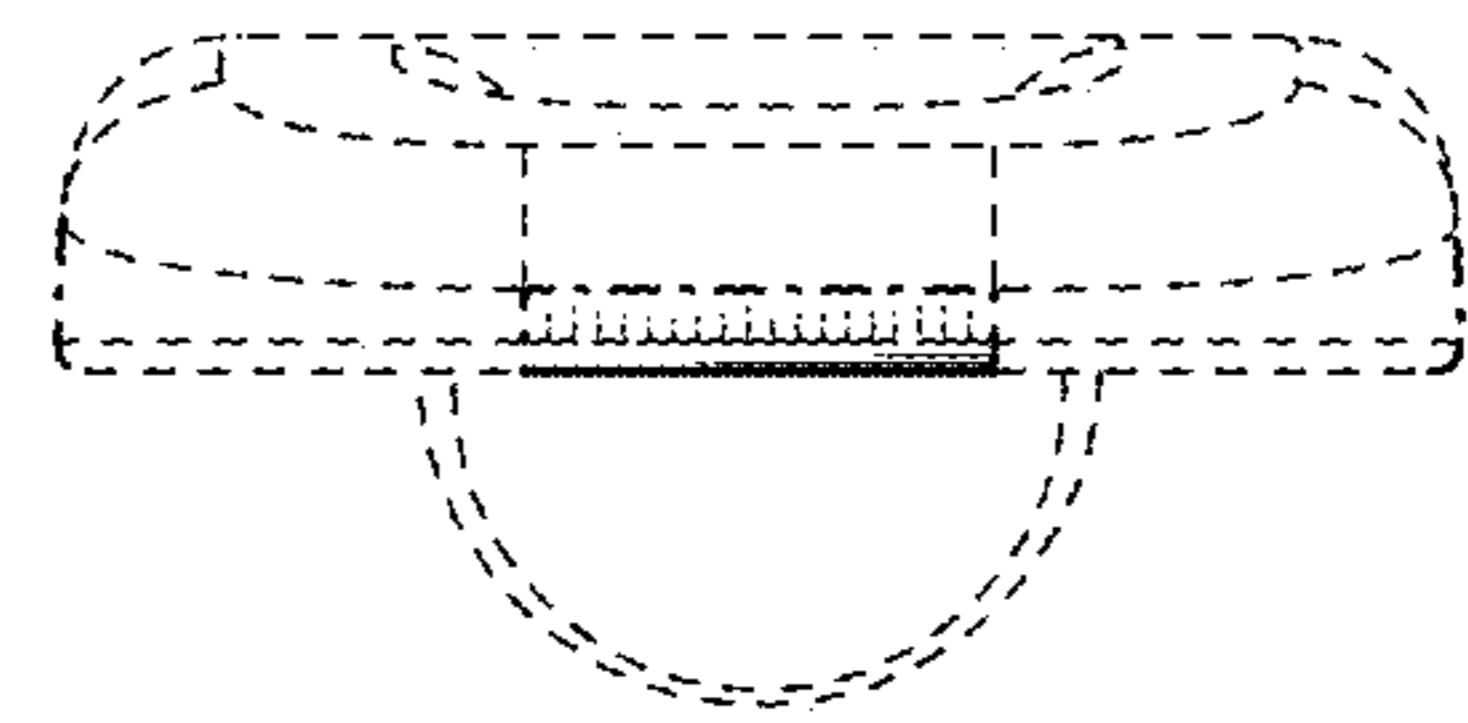


FIG. 6

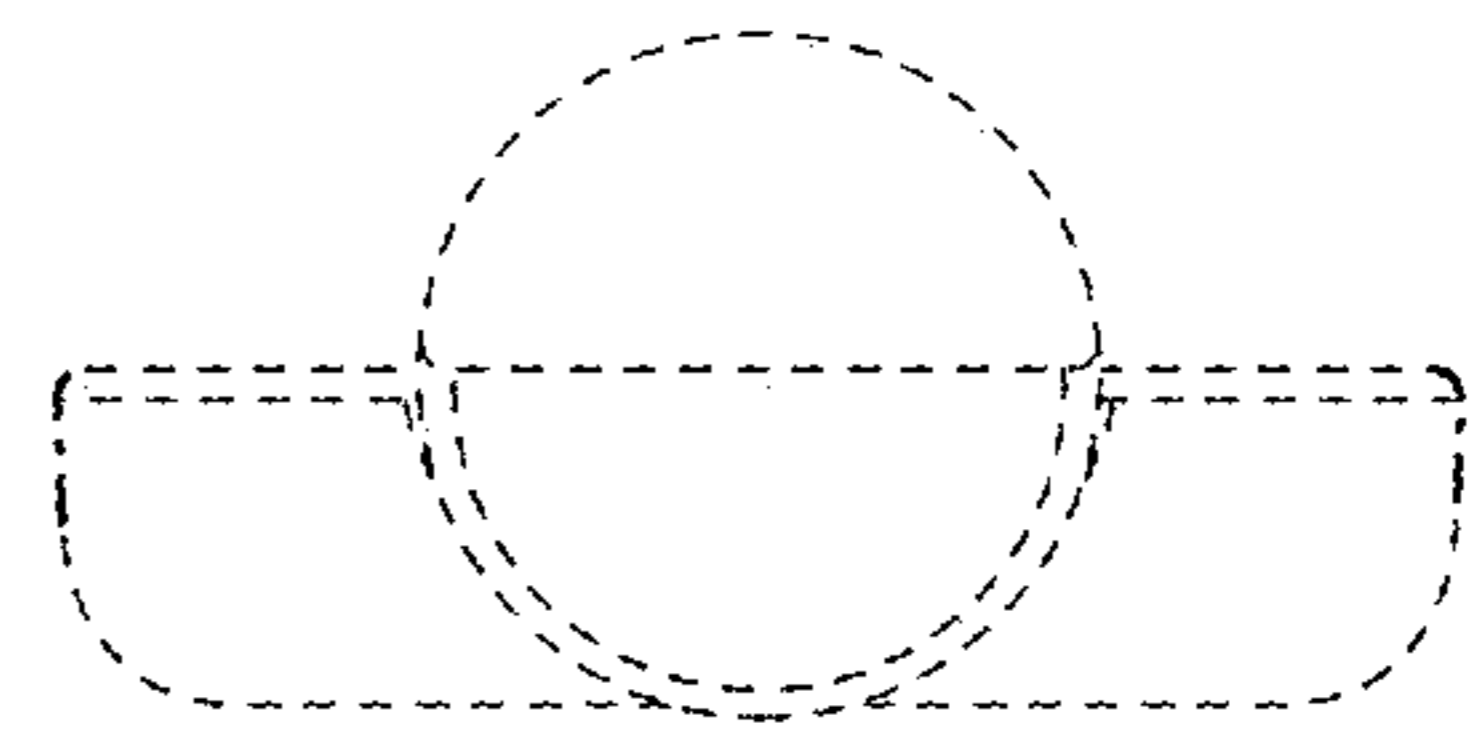


FIG. 7