



US00D925041S

(12) **United States Design Patent** (10) **Patent No.:** **US D925,041 S**
Luk et al. (45) **Date of Patent:** **** Jul. 13, 2021**

(54) **WRIST ELECTRONIC DEVICE**

(57) **CLAIM**

(71) Applicant: **Amorv (IP) Company Limited,**
Kowloon (HK)

The ornamental design for a wrist electronic device, as shown and described.

(72) Inventors: **Chi Tin Luk,** Kowloon (HK); **Wang Kin Fung,** Kowloon (HK); **Kwan Wai To,** Kowloon (HK); **Pieter Lesage,** Antwerp (BE); **Alexander Crolla,** Antwerp (BE); **Stefanie Mertens,** Antwerp (BE)

DESCRIPTION

(73) Assignee: **AMORV (IP) COMPANY LIMITED,**
Shatin (HK)

FIG. 1 is a first perspective view of a wrist electronic device, showing the new design;
FIG. 2 is a second perspective view thereof;
FIG. 3 is a front view thereof;
FIG. 4 is a rear view thereof;
FIG. 5 is a left-side view thereof;
FIG. 6 is a right-side view thereof;
FIG. 7 is a top view thereof;
FIG. 8 is a bottom view thereof;
FIG. 9 is a left-side view of the wrist electronic device in use;

(**) Term: **15 Years**

FIG. 10 is a first perspective view of the wrist electronic device in an integrated mode;
FIG. 11 is a second perspective view thereof in an integrated mode;

(21) Appl. No.: **29/691,849**

(22) Filed: **May 20, 2019**

FIG. 12 is a front view thereof in an integrated mode;
FIG. 13 is a rear view thereof in an integrated mode;
FIG. 14 is a left-side view thereof in an integrated mode;
FIG. 15 is a right-side view thereof in an integrated mode;
FIG. 16 is a top view thereof in an integrated mode;
FIG. 17 is a bottom view thereof in an integrated mode;
FIG. 18 is a left-side view of the wrist electronic device in an integrated mode in use;
FIG. 19 is a first perspective view of the wrist electronic device in an separated mode;
FIG. 20 is a second perspective view thereof in an separated mode;

(30) **Foreign Application Priority Data**

Nov. 20, 2018 (HK) 1802254.9M001

Nov. 20, 2018 (HK) 1802254.9M002

(51) **LOC (13) Cl.** **24-02**

(52) **U.S. Cl.**
USPC **D24/165**

(58) **Field of Classification Search**
USPC D24/107, 164, 165-168, 186, 187, 184;
D10/75, 70, 98

(Continued)

(56) **References Cited**

U.S. PATENT DOCUMENTS

D438,970 S * 3/2001 TerMeer D24/165
D569,000 S * 5/2008 Itonaga D24/186

(Continued)

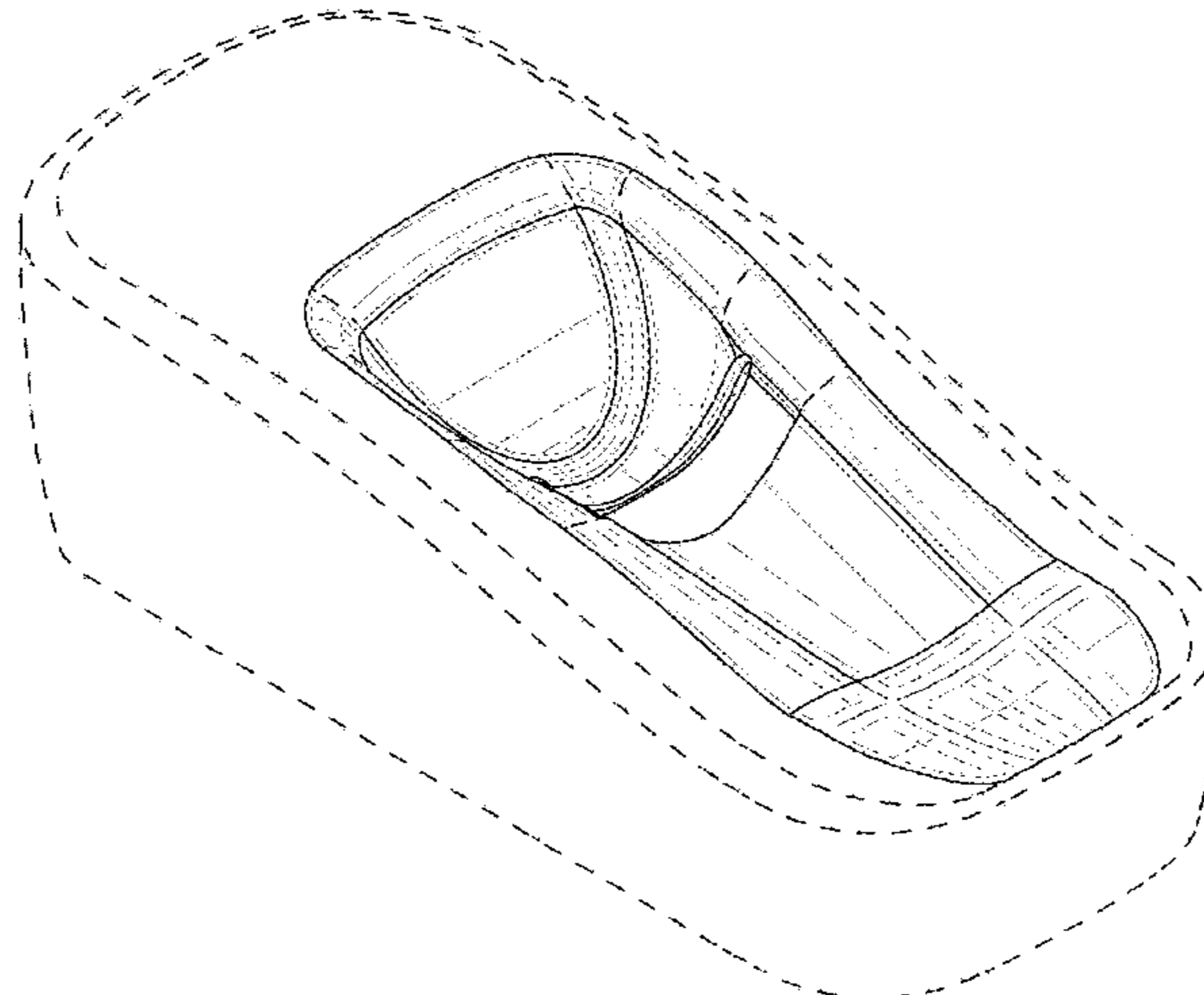
Primary Examiner — Anhdao Doan

(74) *Attorney, Agent, or Firm* — Juan Carlos A. Marquez;
Marquez IP Law Office, PLLC

FIG. 21 is a front view thereof in an separated mode;
FIG. 22 is a rear view thereof in an separated mode;
FIG. 23 is a left-side view thereof in an separated mode;
FIG. 24 is a right-side view thereof in an separated mode;
FIG. 25 is a top view thereof in an separated mode;
FIG. 26 is a bottom view thereof in an separated mode; and,
FIG. 27 is a left-side view of the wrist electronic device in an separated mode in use.

The broken line showing of a human limb in FIGS. 9, 18 and 27 is directed to an environment and for illustrative purpose only. All other broken lines depict portions of the wrist

(Continued)



electronic device that form no part of the claimed design.
The broken lines and the unshaded surfaces form no part of
the claimed design.

1 Claim, 27 Drawing Sheets

(58) **Field of Classification Search**

CPC A61B 5/0402; A61B 5/0404; A61B 5/021;
A61B 5/024; A61B 5/02438; A61B
5/681; A61B 2560/0205; A61B
2560/0462

See application file for complete search history.

(56) **References Cited**

U.S. PATENT DOCUMENTS

D616,098	S *	5/2010	Shibata	D24/165
D732,671	S *	6/2015	Moy	D24/184
D835,791	S *	12/2018	Chen	D24/187
2004/0254484	A1 *	12/2004	Hashimoto	A61B 5/021 600/490
2005/0065442	A1 *	3/2005	Hashimoto	A61B 5/021 600/501
2009/0036759	A1 *	2/2009	Ault	A61B 5/14532 600/310
2012/0123281	A1 *	5/2012	Ashida	A61B 5/02233 600/499

* cited by examiner

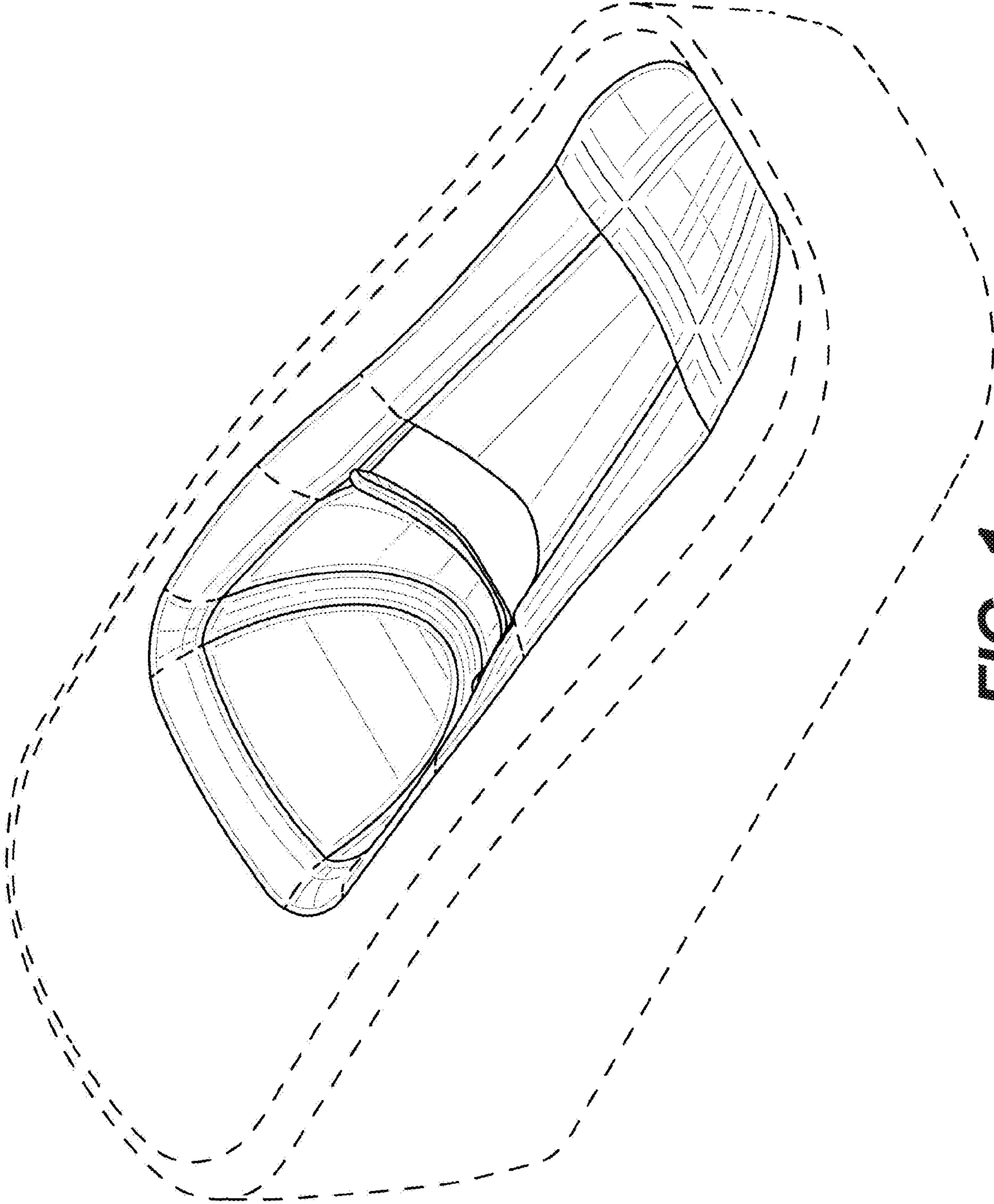


FIG. 1

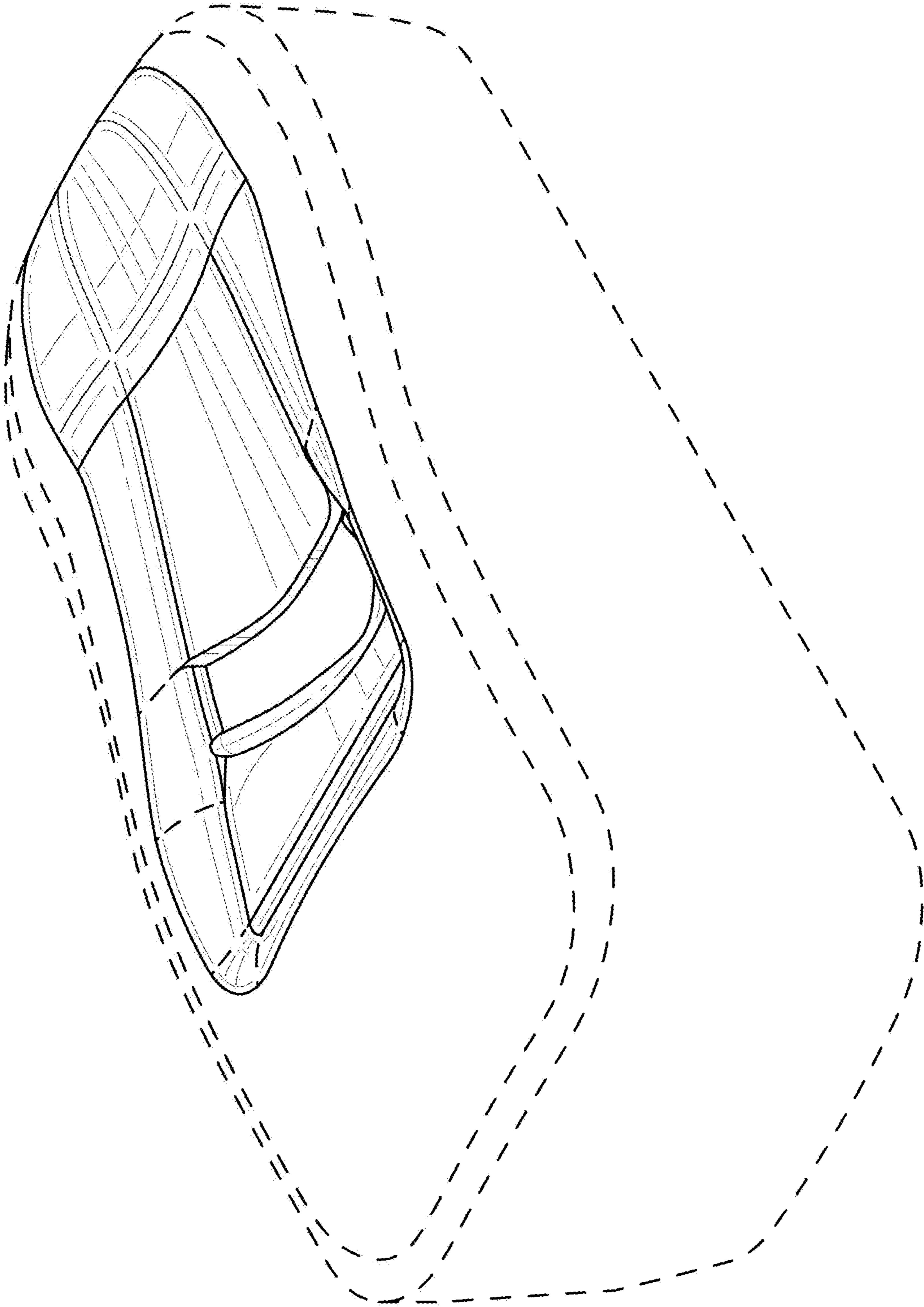


FIG. 2

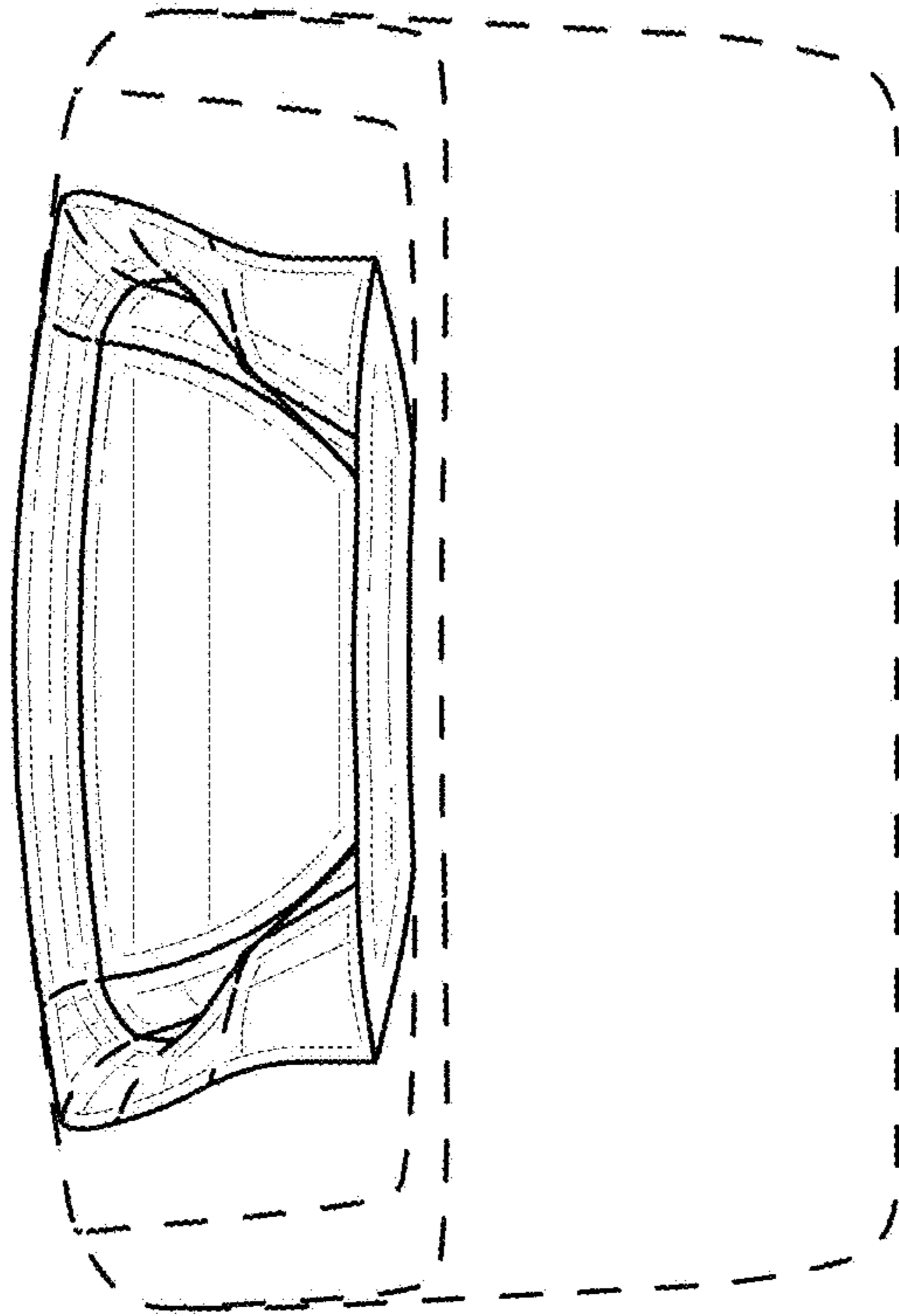


FIG. 3

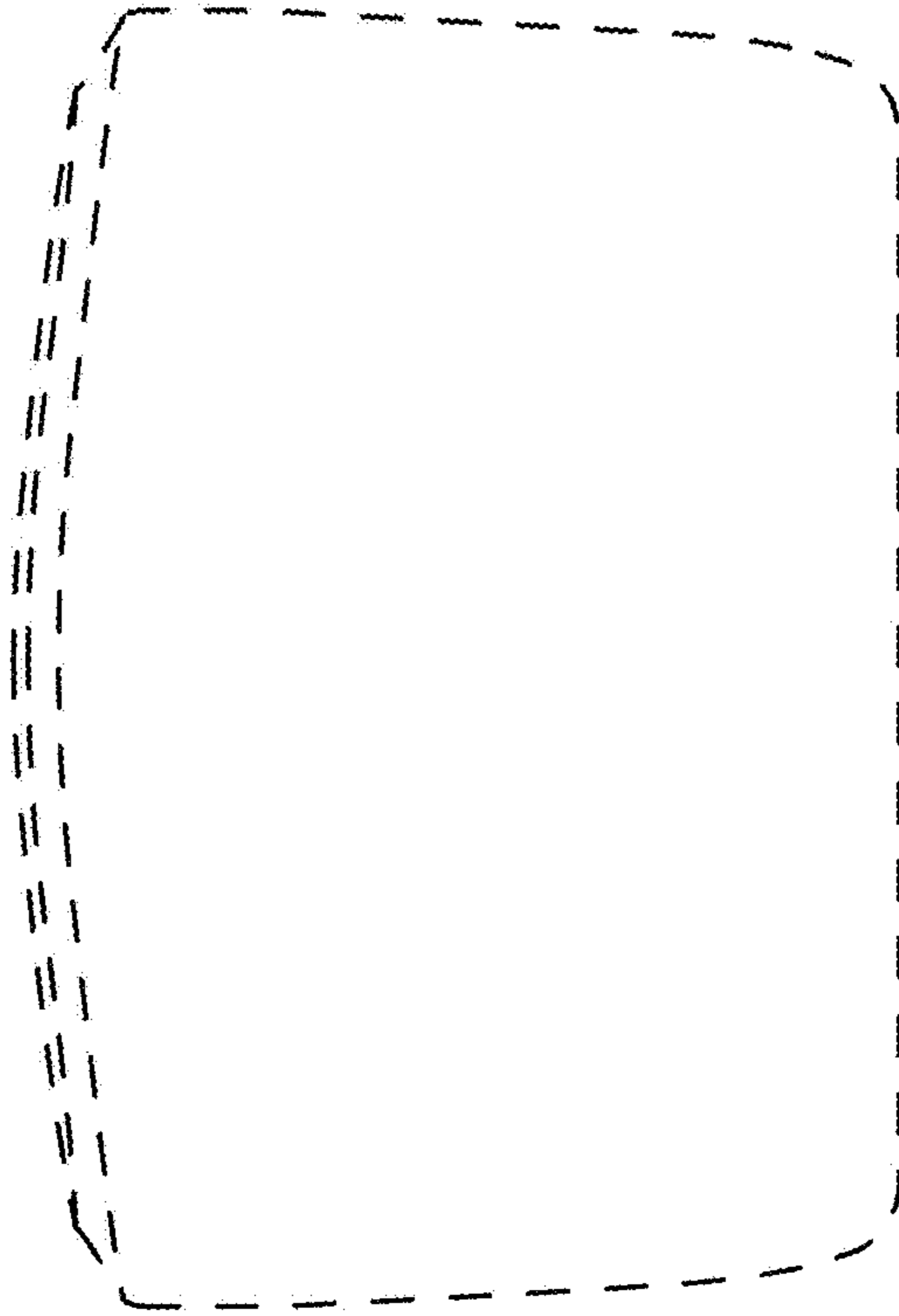


FIG. 4

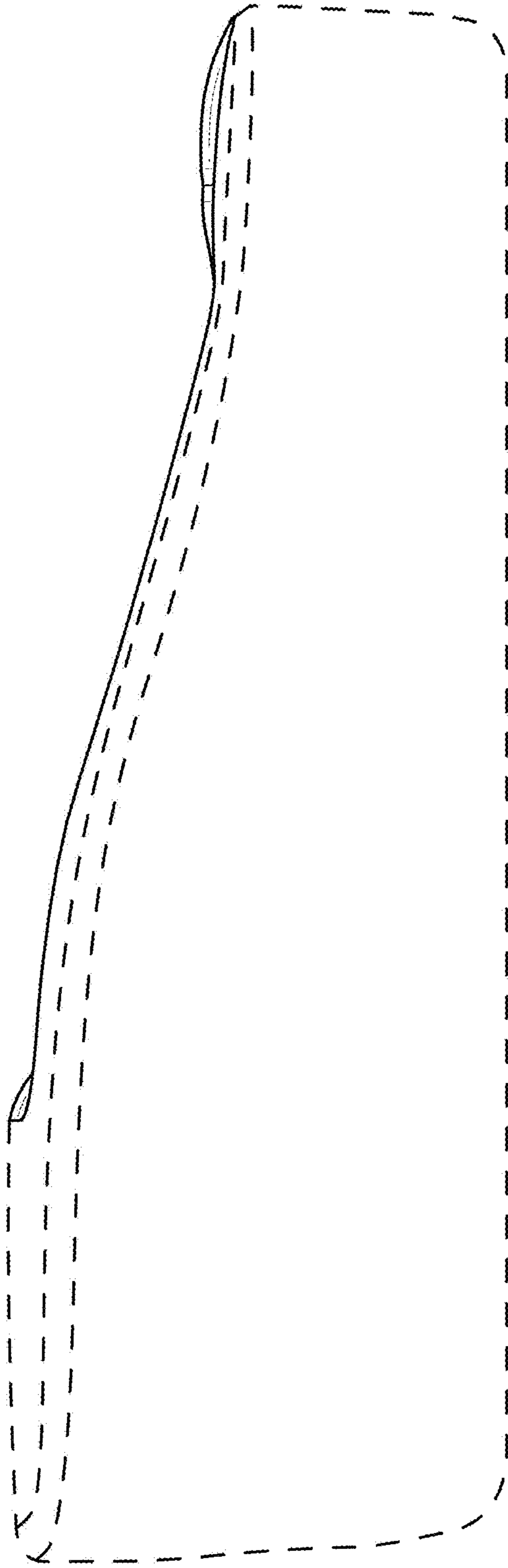


FIG. 5

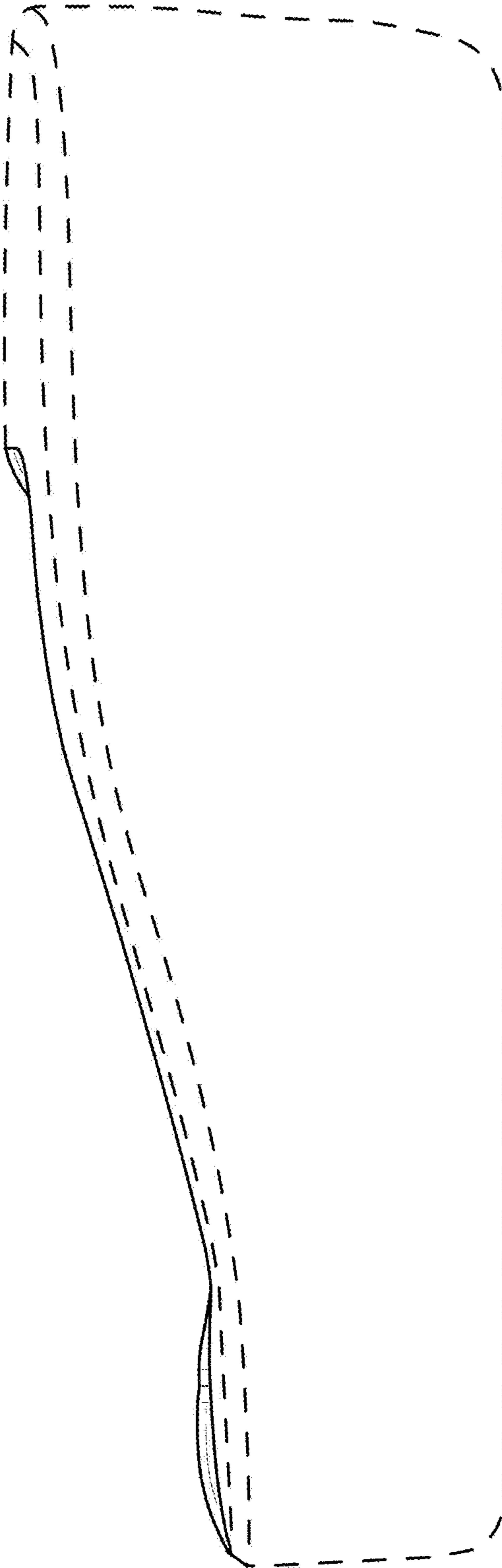


FIG. 6

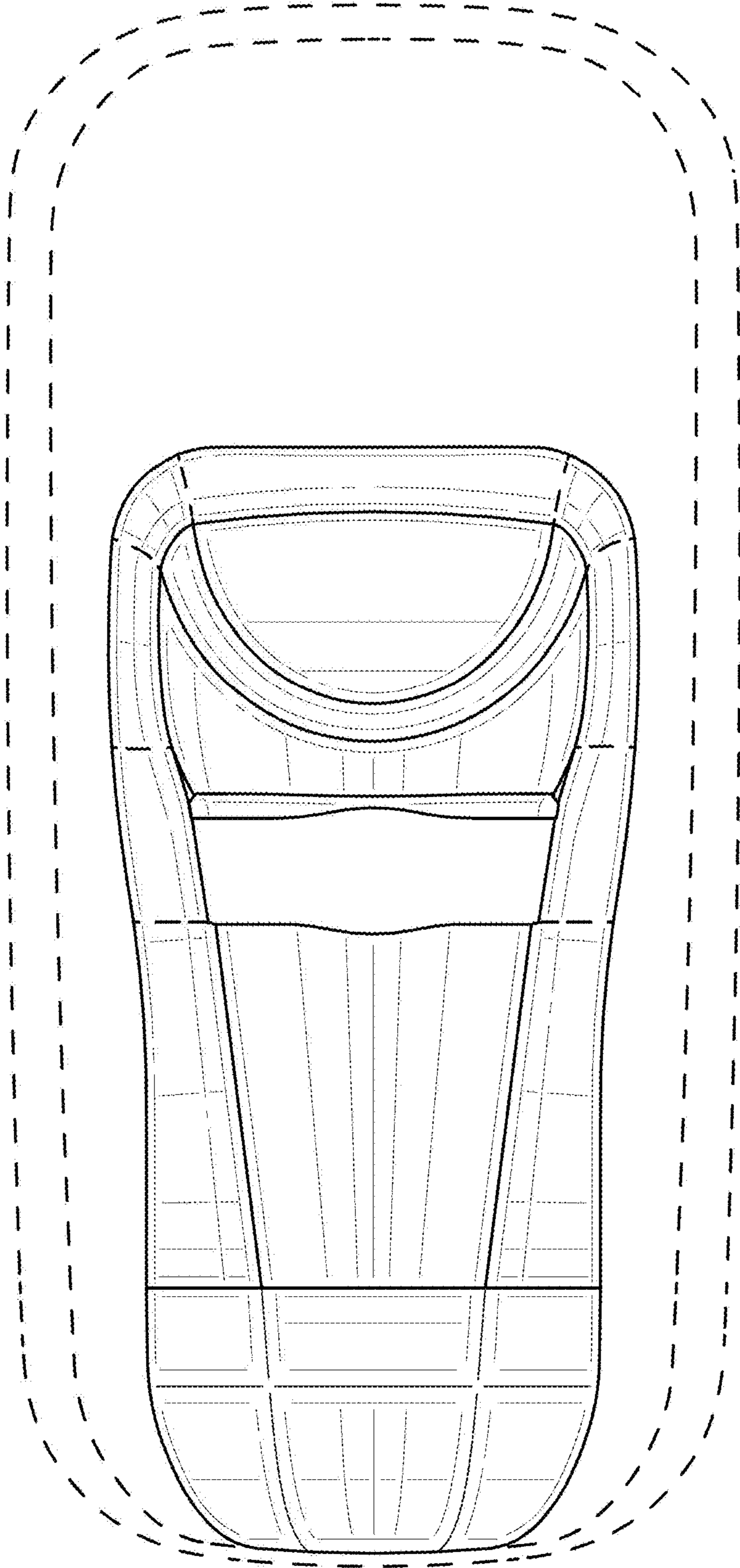


FIG. 7

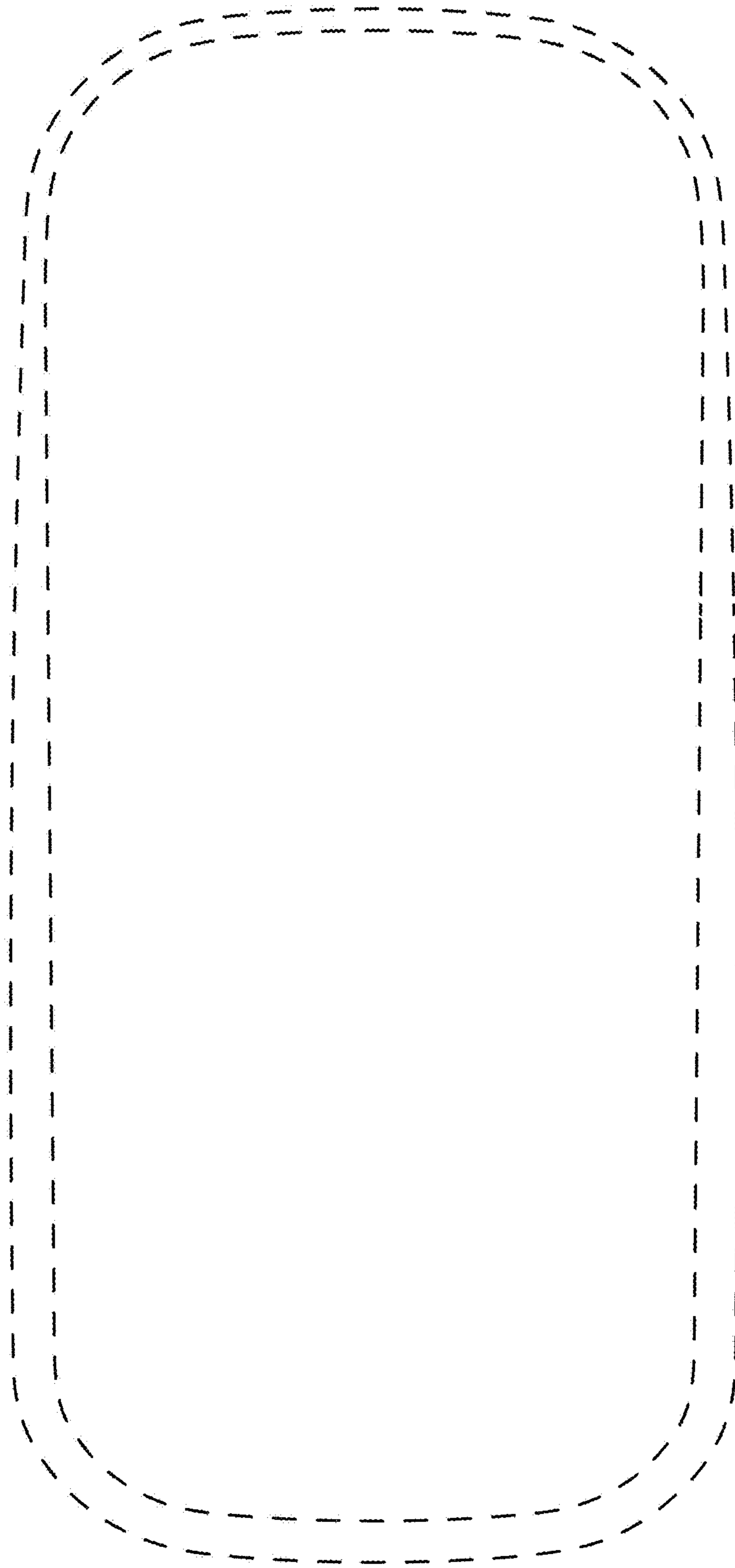


FIG. 8

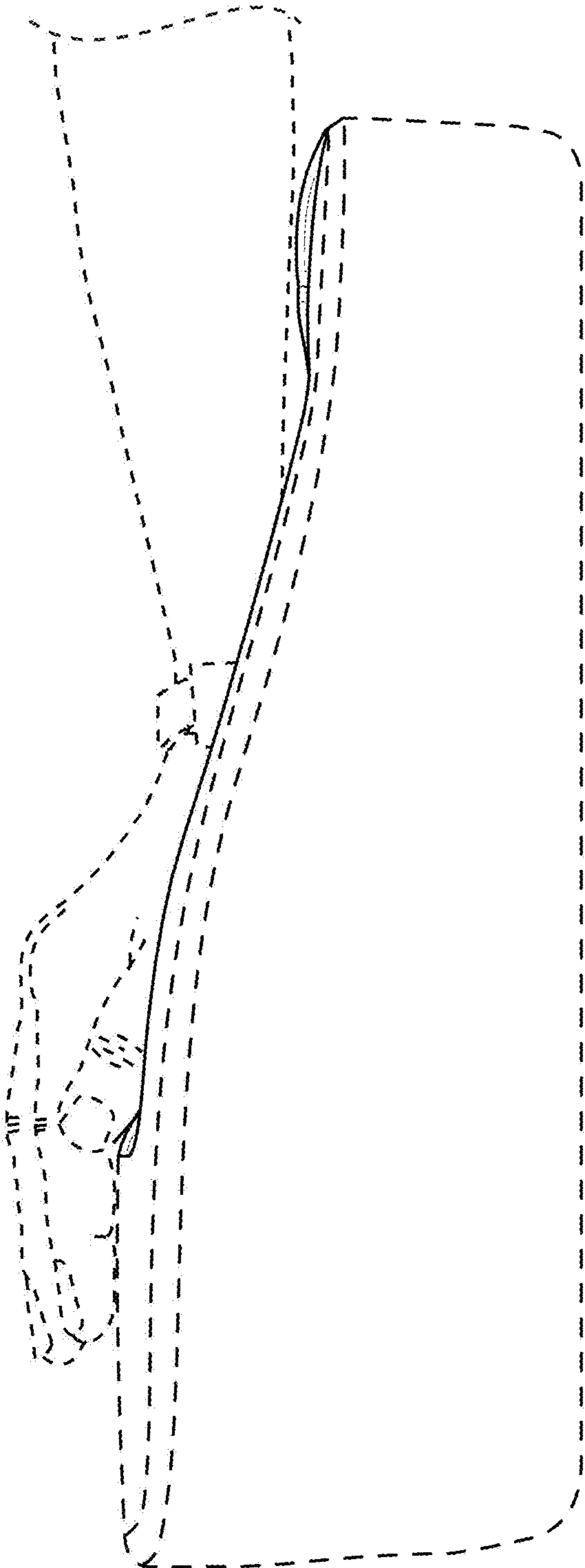


FIG. 9

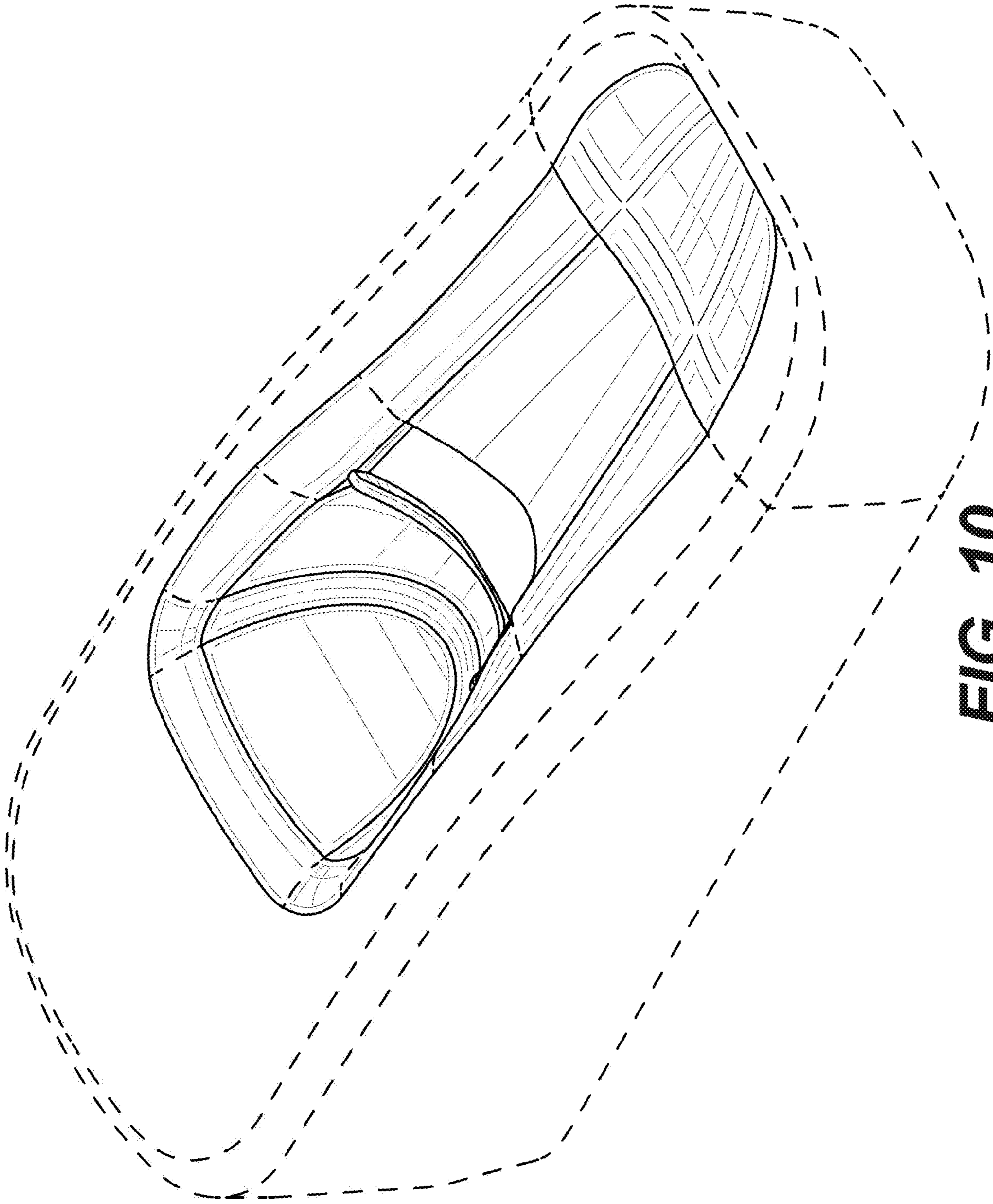


FIG. 10

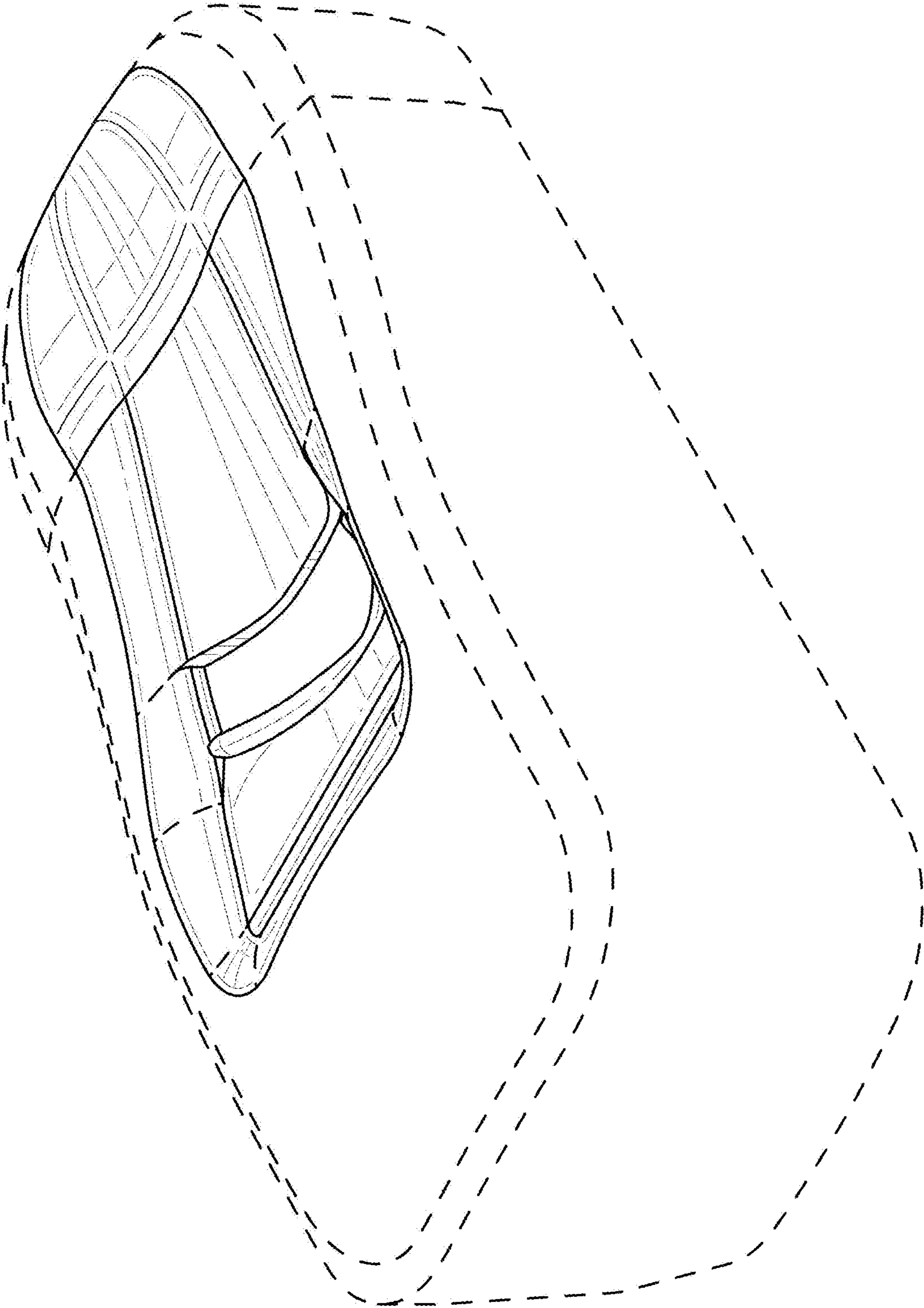


FIG. 11

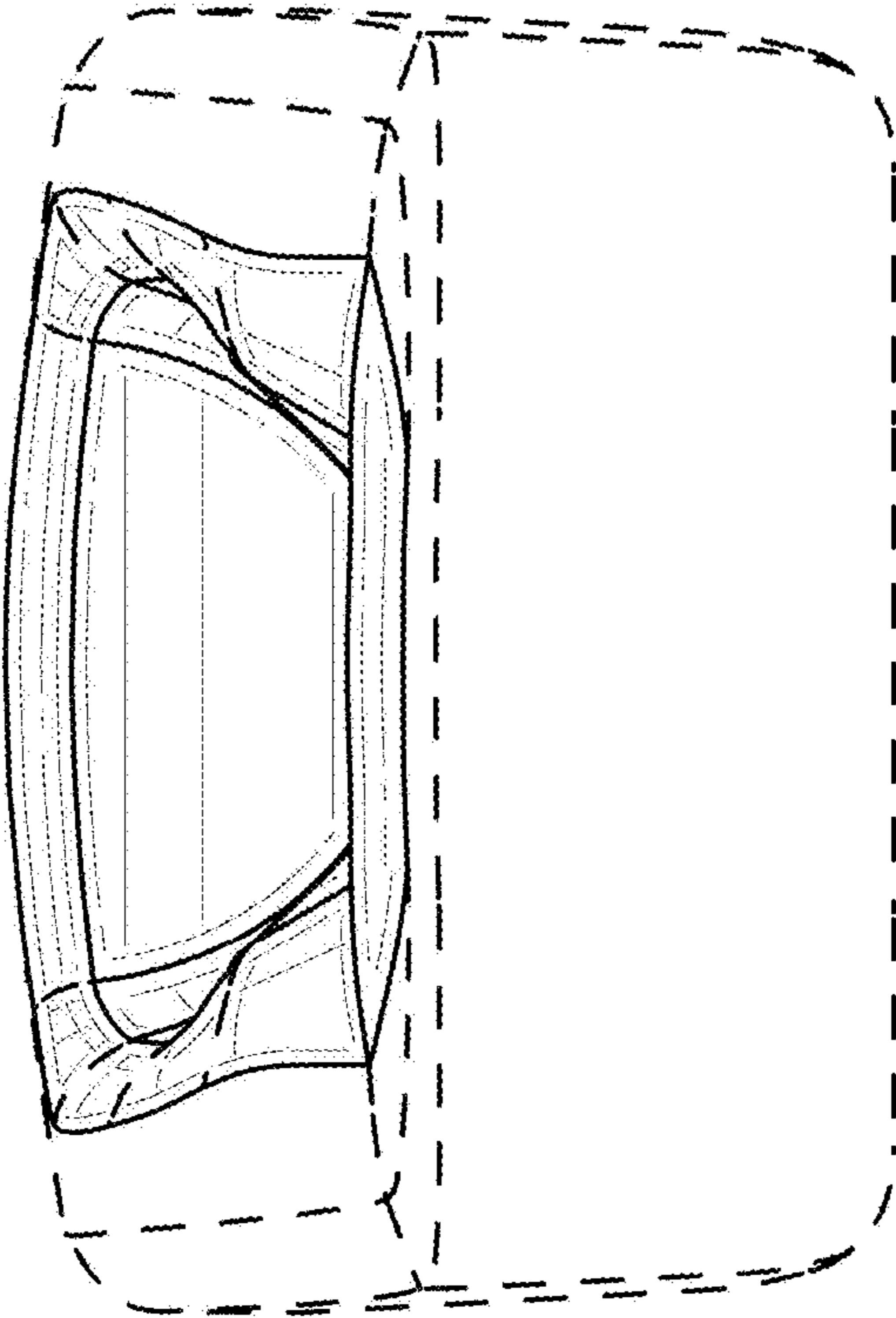


FIG. 12

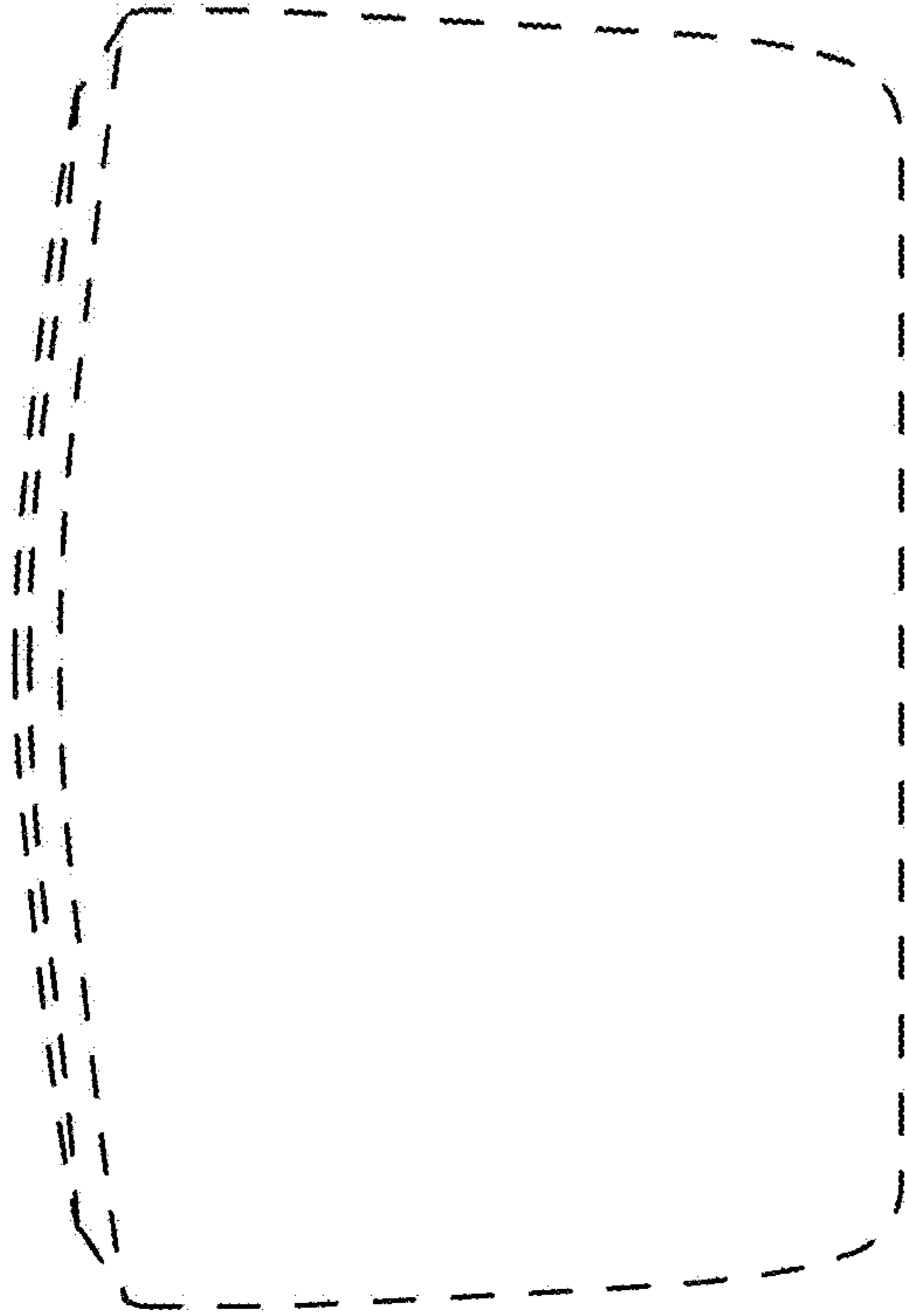


FIG. 13

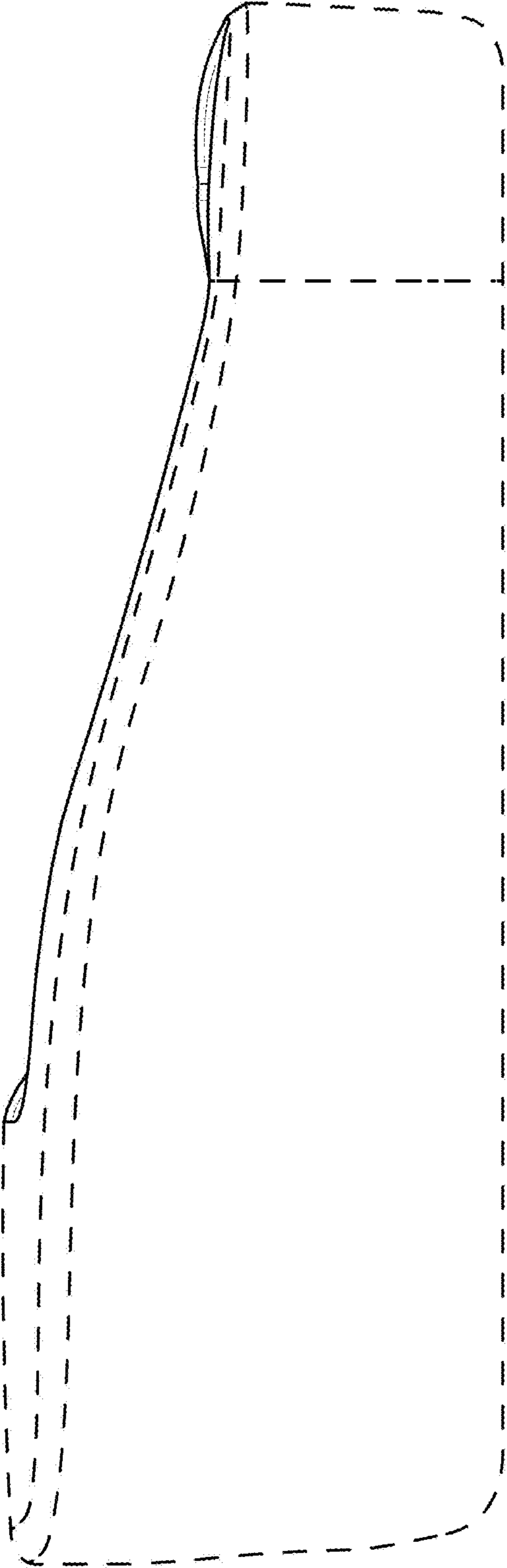


FIG. 14

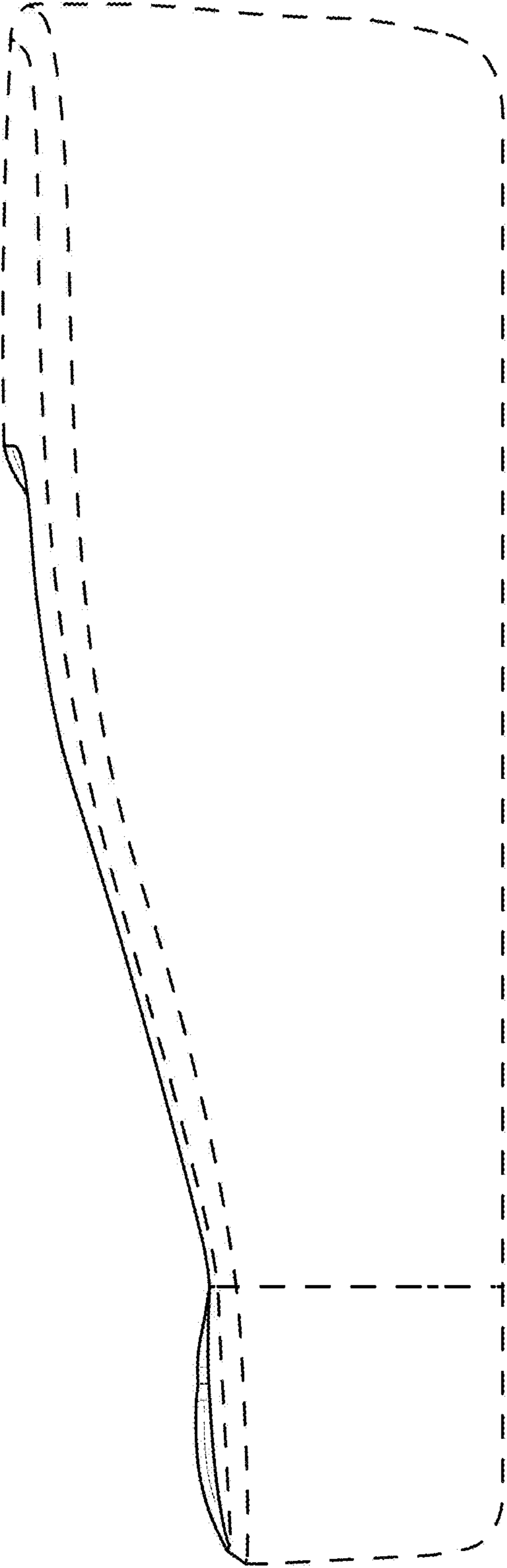


FIG. 15

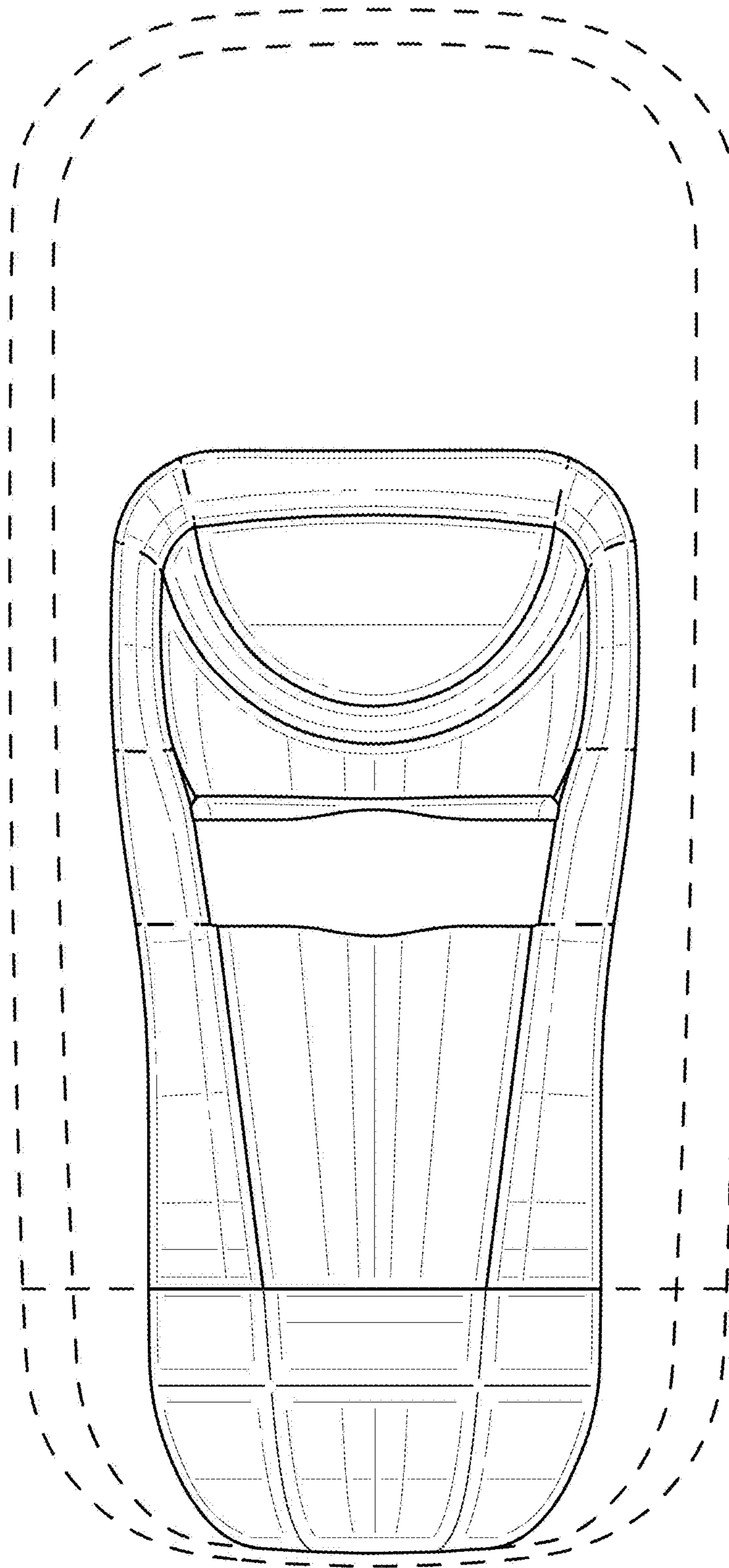


FIG. 16

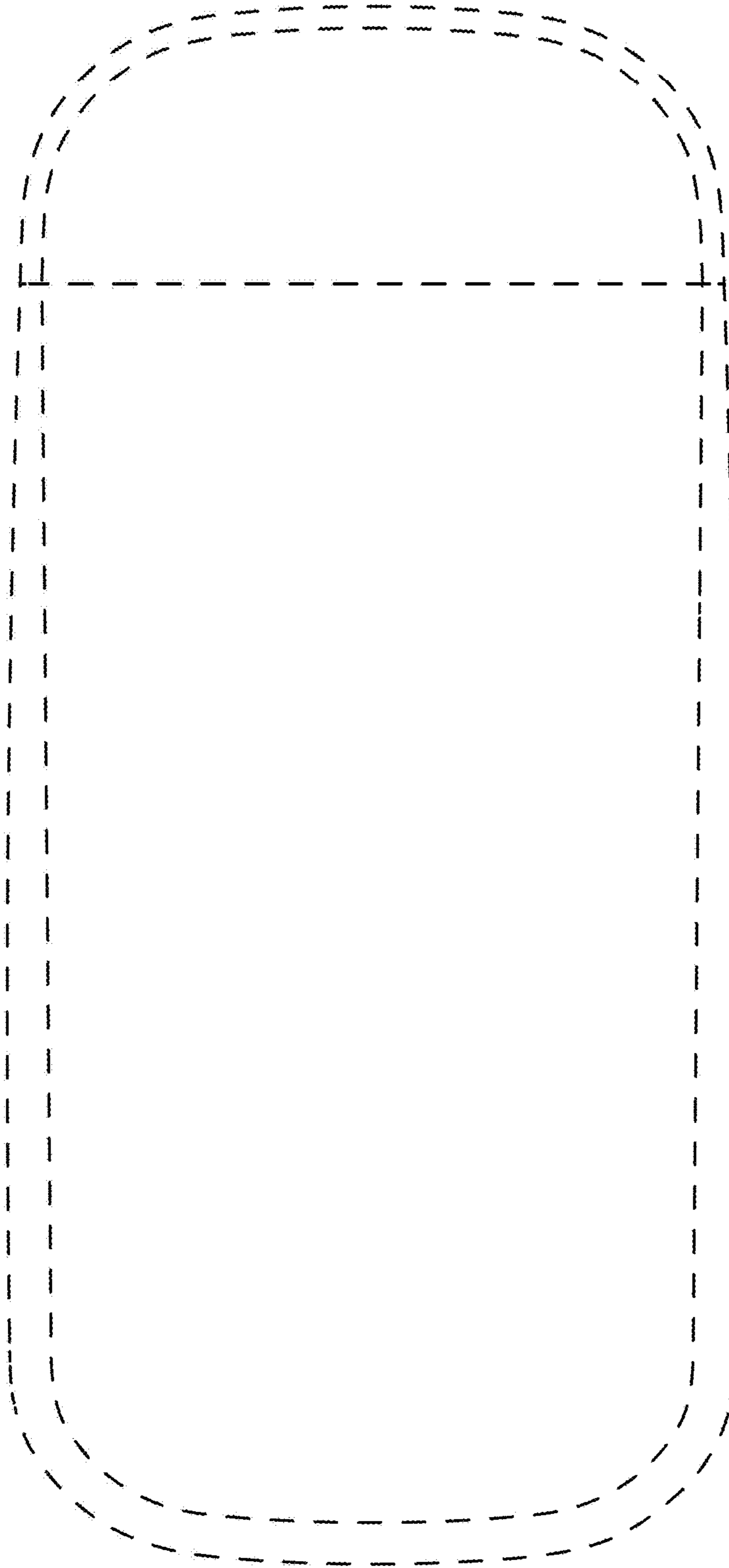


FIG. 17

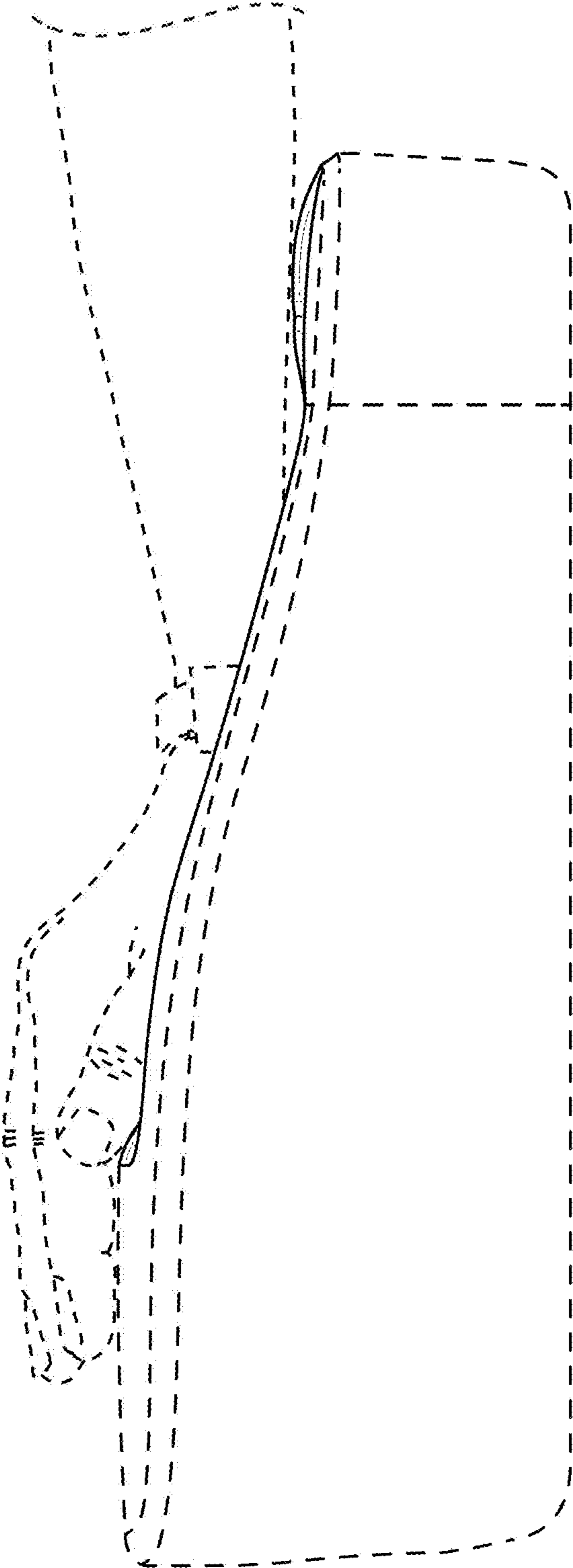


FIG. 18

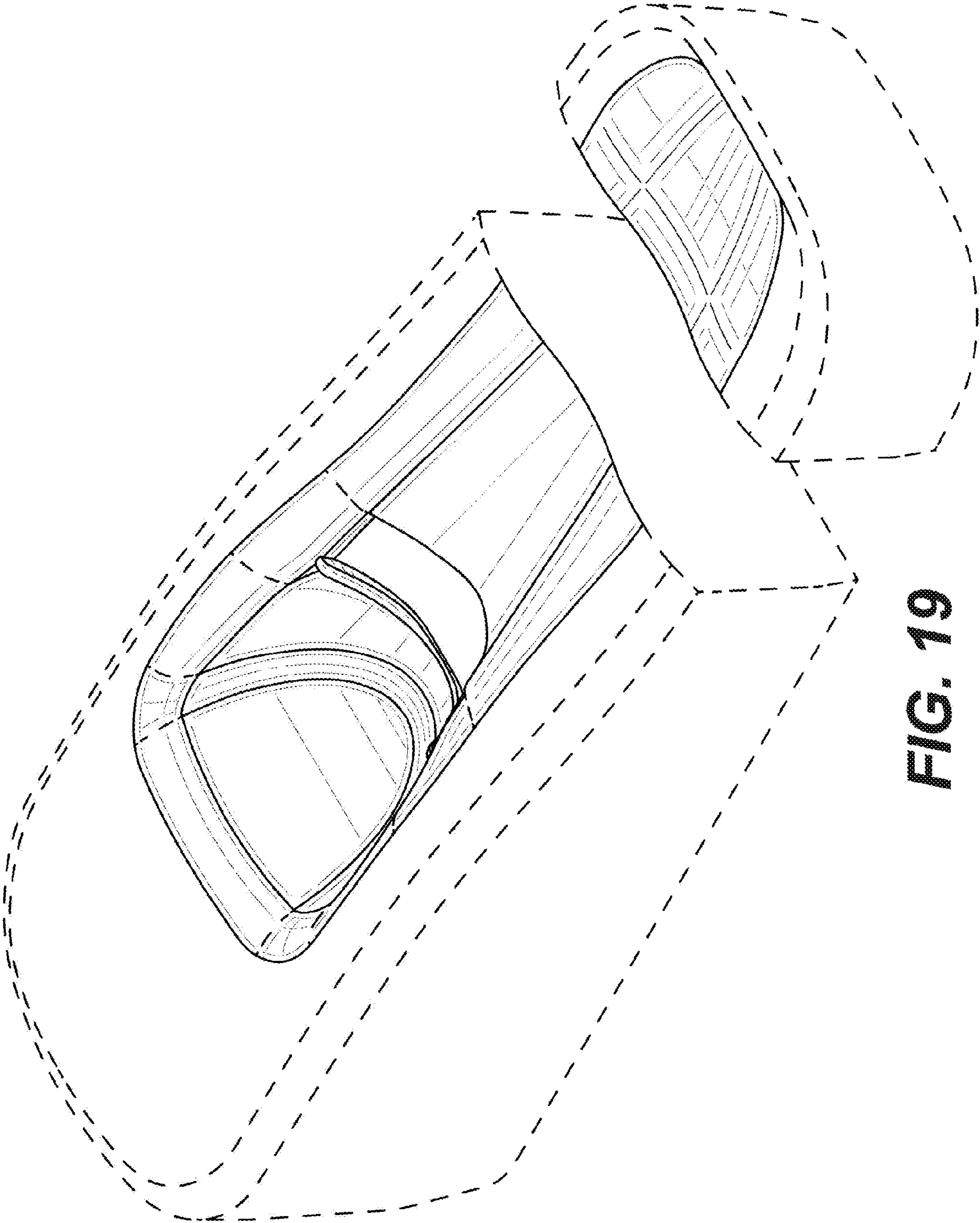


FIG. 19

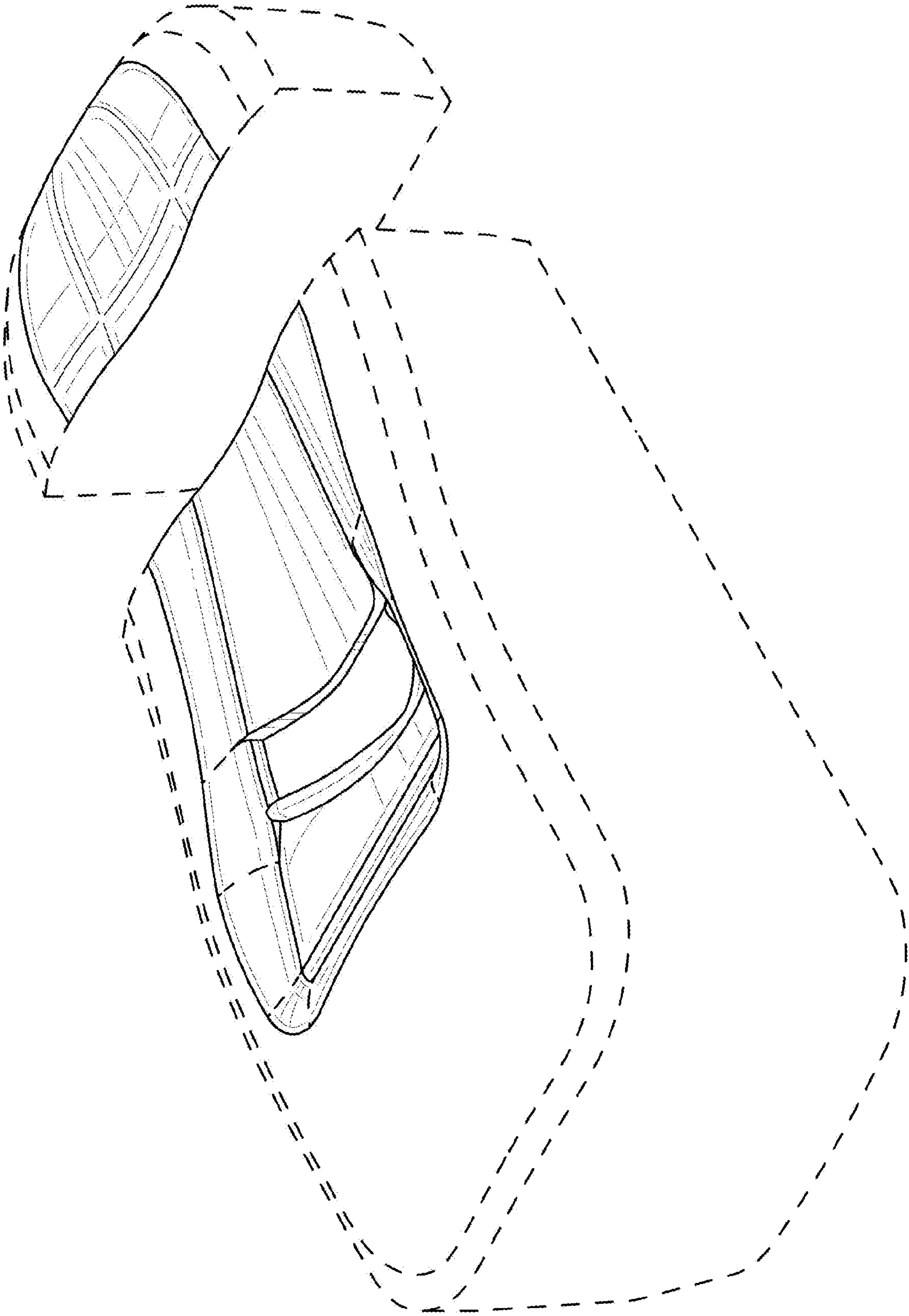


FIG. 20

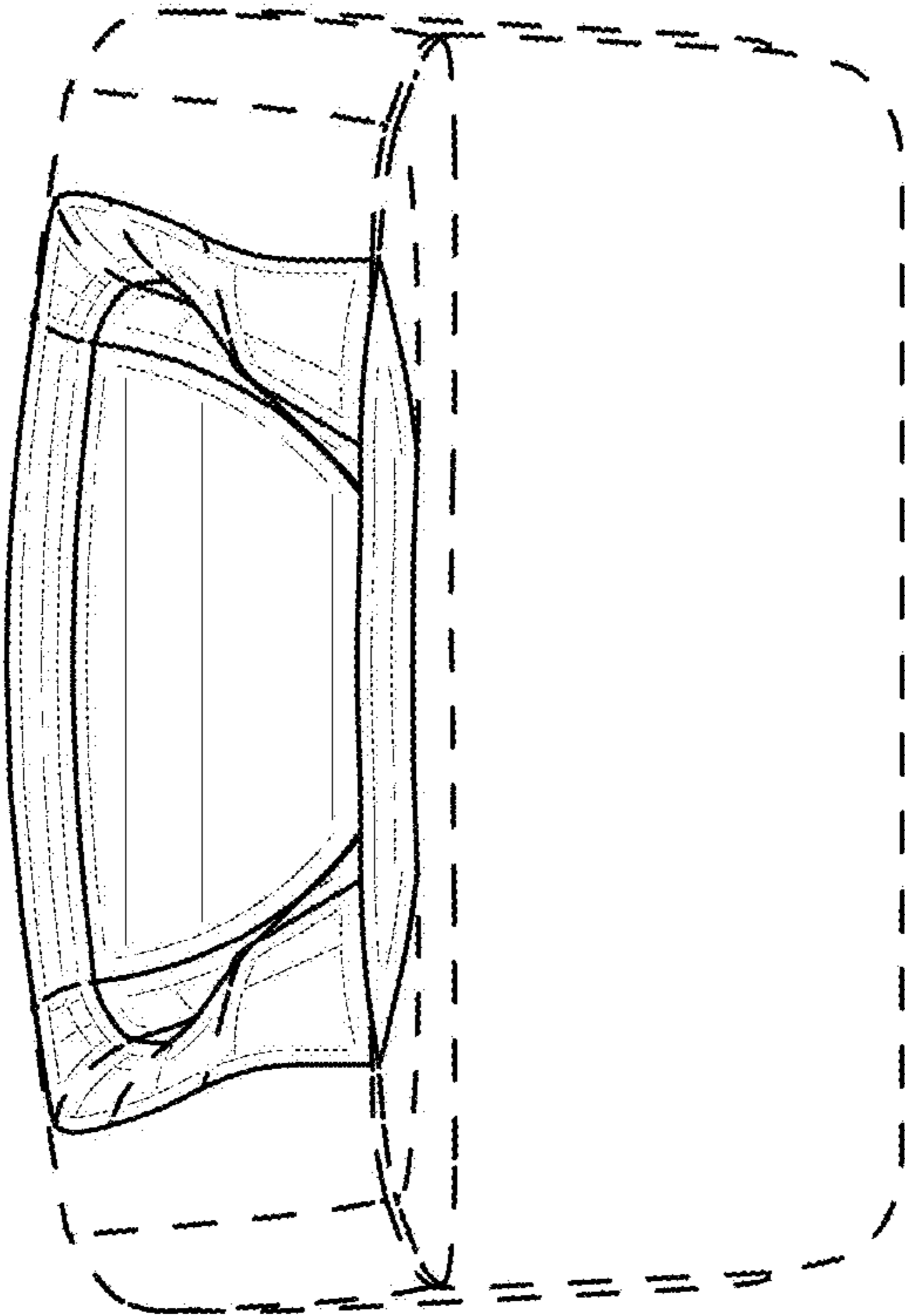


FIG. 21

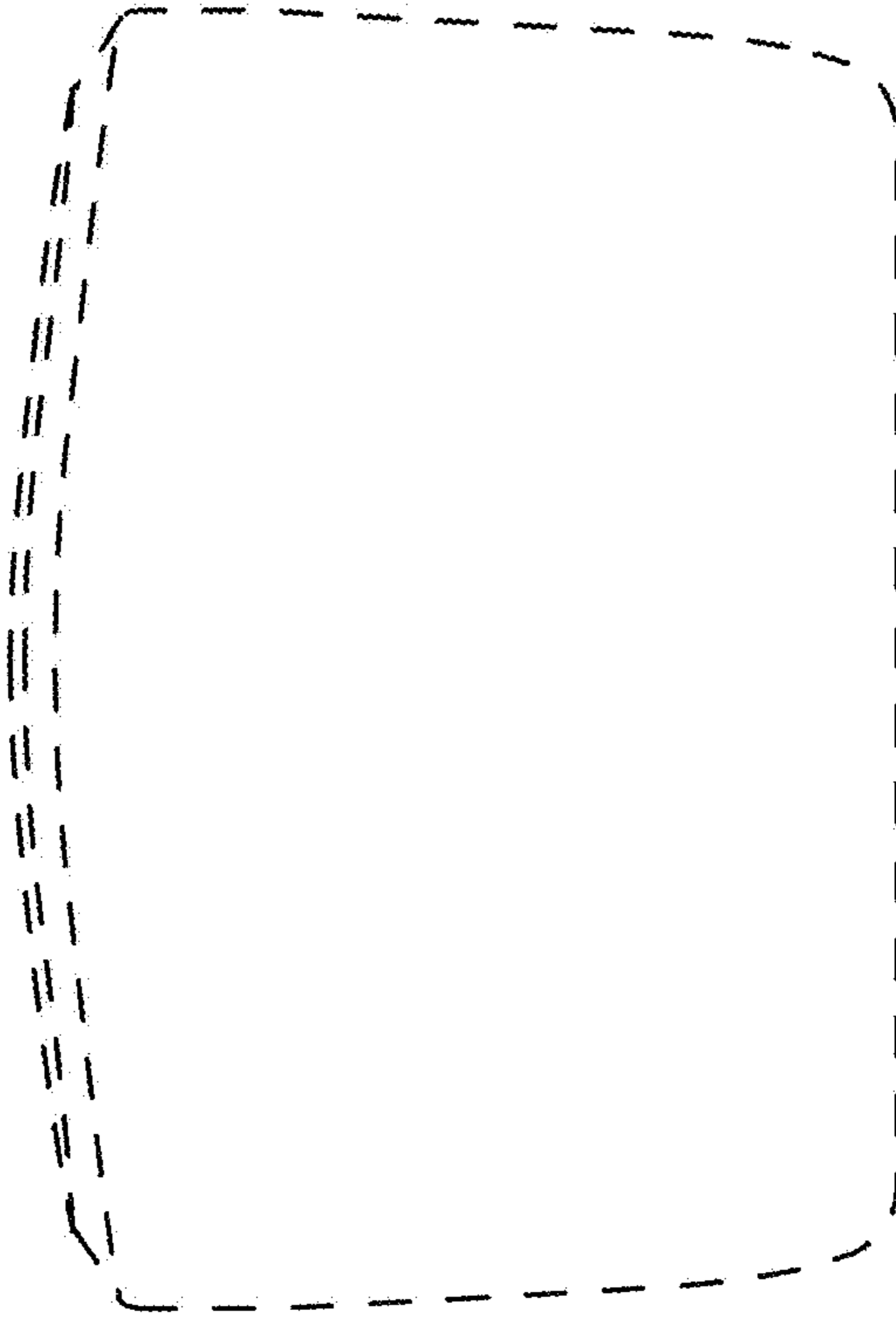


FIG. 22

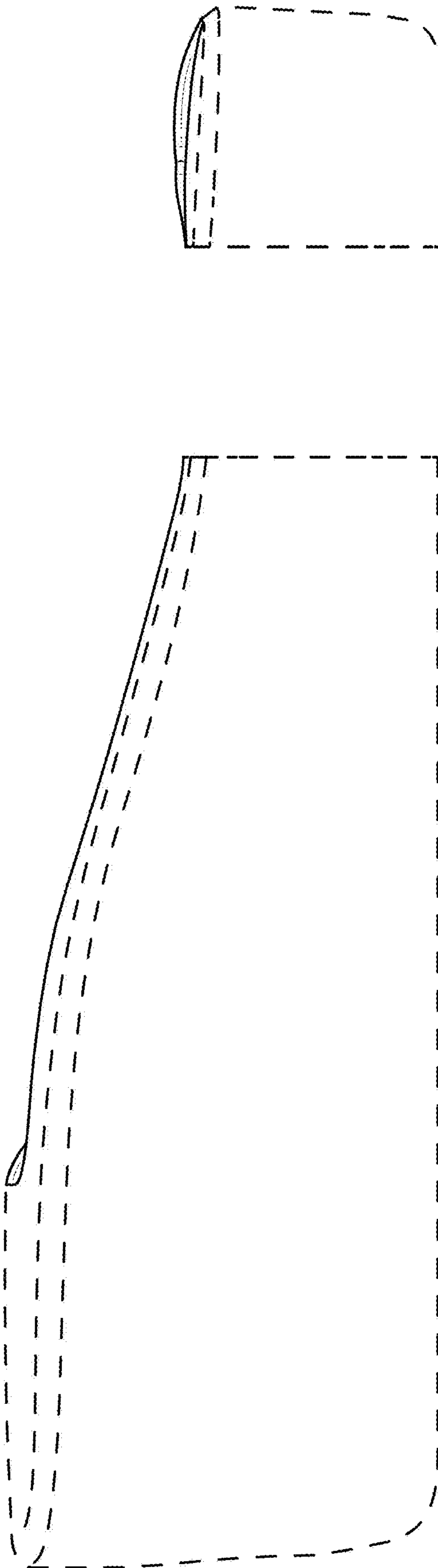


FIG. 23

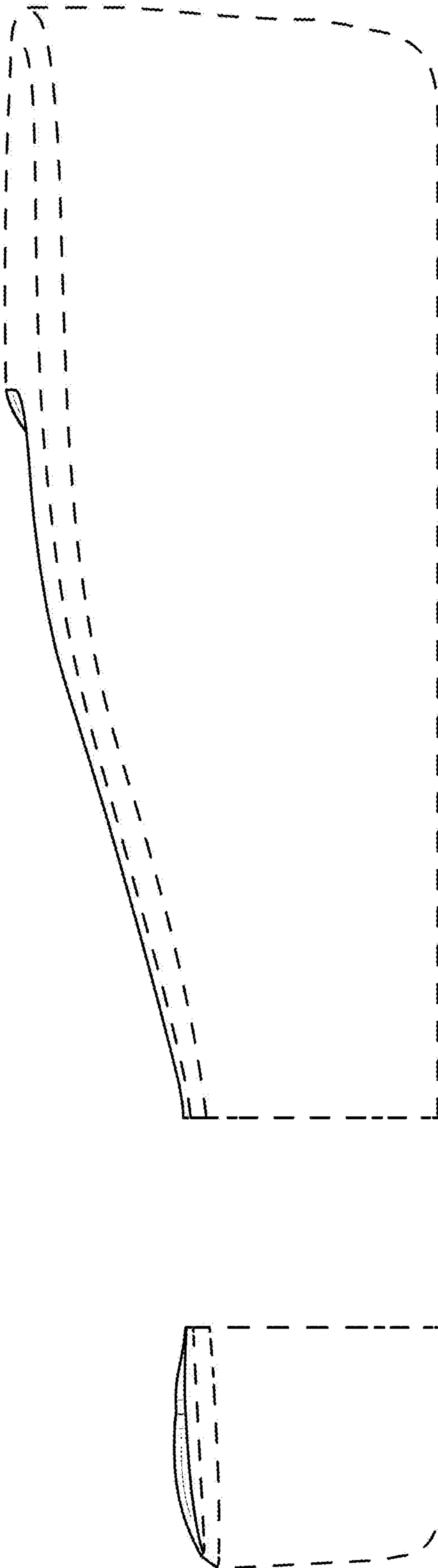


FIG. 24

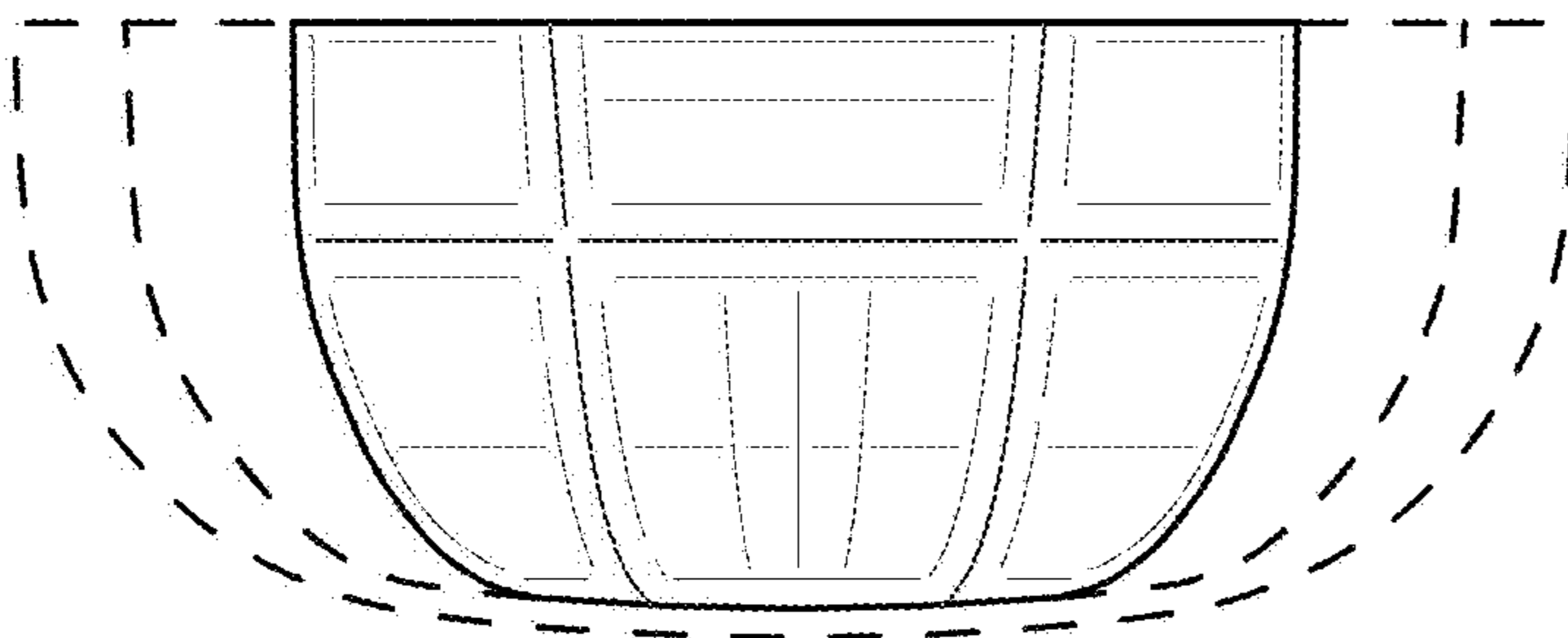
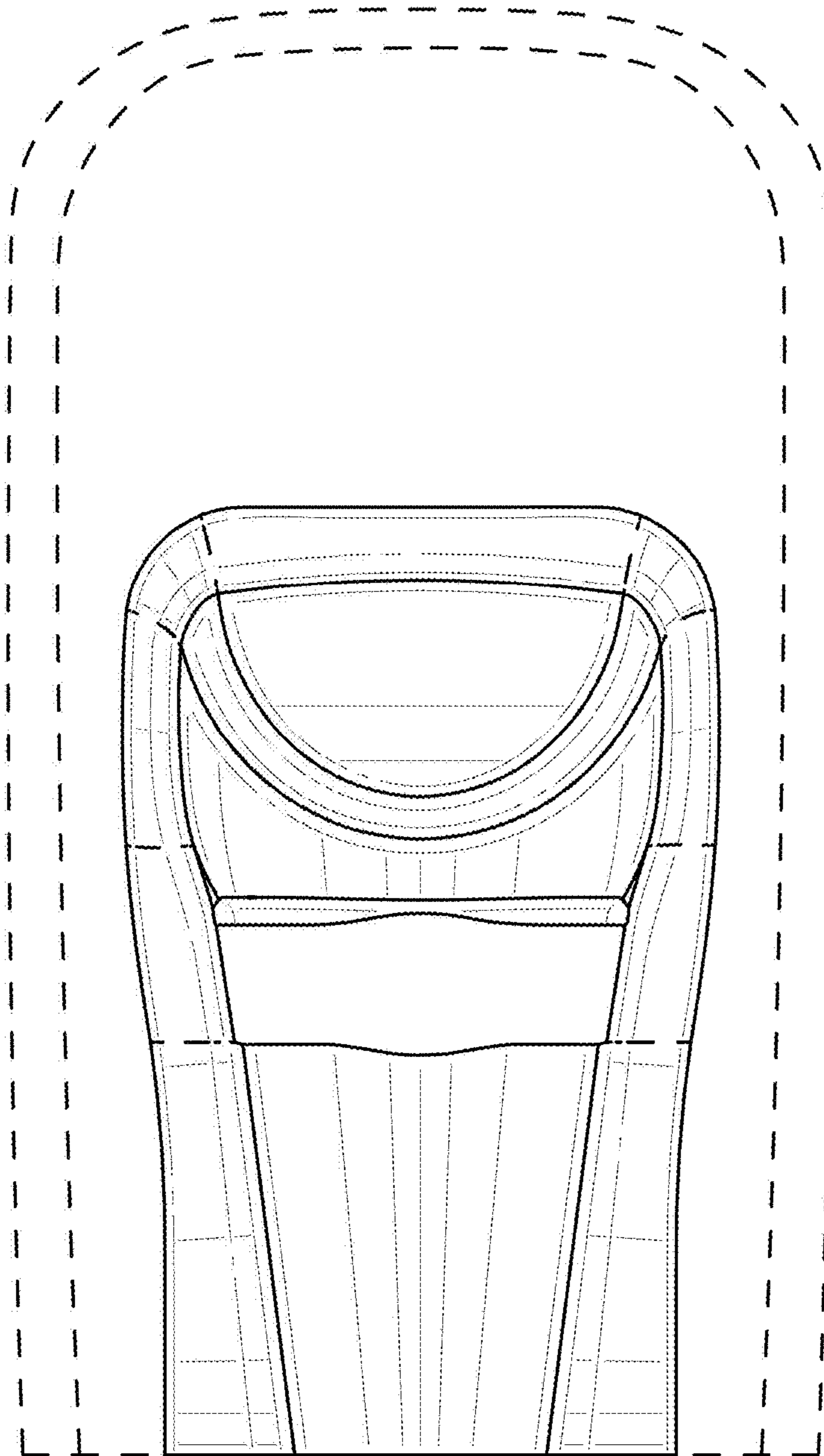


FIG. 25

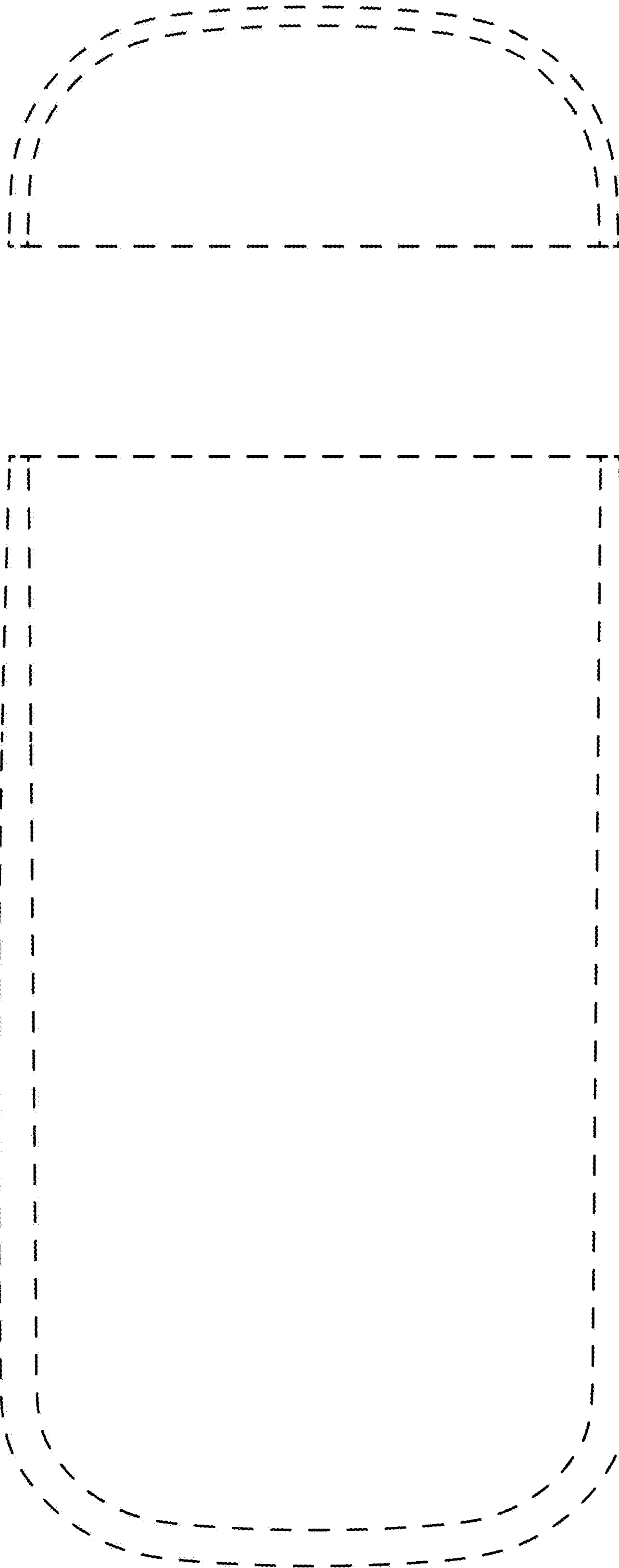


FIG. 26

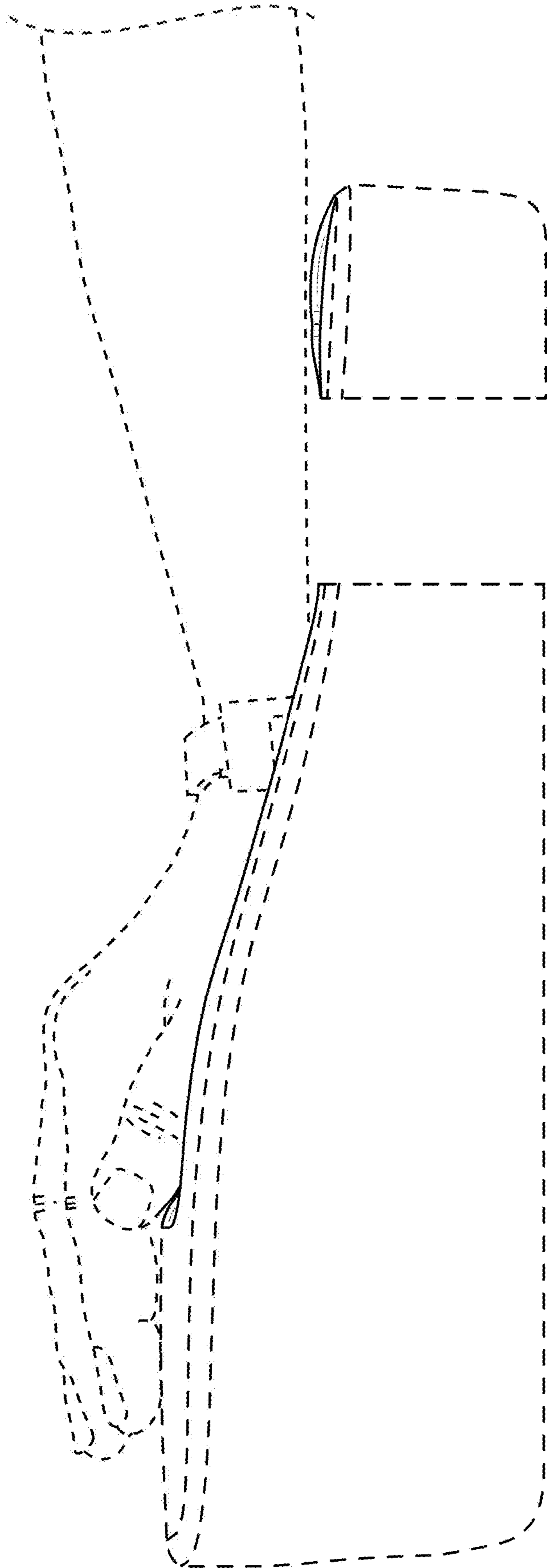


FIG. 27