



US00D925039S

(12) **United States Design Patent** (10) **Patent No.:** **US D925,039 S**
Byun (45) **Date of Patent:** **** Jul. 13, 2021**

(54) **BLOCK FOR SYNOSTOSIS**
(71) Applicant: **OHTOMEDICAL CO., LTD,**
Goyang-si (KR)
(72) Inventor: **A Ram Byun,** Goyang-si (KR)
(73) Assignee: **OHTOMEDICAL CO., LTD,**
Goyang-si (KR)
(**) Term: **15 Years**
(21) Appl. No.: **29/705,832**
(22) Filed: **Sep. 16, 2019**

(30) **Foreign Application Priority Data**
Mar. 18, 2019 (KR) 30-2019-0012113
(51) **LOC (13) Cl.** **24-03**
(52) **U.S. Cl.**
USPC **D24/155**
(58) **Field of Classification Search**
USPC D24/155-157
CPC A61B 17/8061; A61B 17/7059; A61B
17/8052; A61B 17/8605; A61B 17/809;
A61B 17/8014; A61B 17/8033; A61B
17/8004; A61B 17/888; A61B 17/842;
A61B 17/8023; A61B 17/8009; A61B
17/86; A61B 17/1739; A61B 17/8066;
A61B 17/1671; A61B 17/1757; A61B
17/8071; A61B 17/176; A61B 2017/1782;
A61B 2017/1775

See application file for complete search history.

(56) References Cited	
U.S. PATENT DOCUMENTS	
6,902,578 B1 *	6/2005 Anderson A61F 2/28 623/16.11
D565,179 S *	3/2008 Kubo D24/155
D642,688 S *	8/2011 Binder D24/155
D658,761 S *	5/2012 Brotman D24/155
D677,791 S *	3/2013 Danacioglu D24/155
D685,475 S *	7/2013 Brotman D24/155
D710,010 S *	7/2014 Nakaji D24/155
D710,011 S *	7/2014 Nakaji D24/155
D765,846 S *	9/2016 Lins D24/155
D767,133 S *	9/2016 Gotfried D24/155
D849,946 S *	5/2019 Gustine D24/155

* cited by examiner

Primary Examiner — Charles D Hanson
(74) *Attorney, Agent, or Firm* — STIP Law Group, LLC

(57) **CLAIM**
The ornamental design for block for synostosis, as shown and described.

DESCRIPTION
FIG. 1 is a perspective view of the block for synostosis showing the present design.
FIG. 2 is a front view thereof.
FIG. 3 is a rear view thereof.
FIG. 4 is a left side view thereof.
FIG. 5 is a right side view thereof.
FIG. 6 is a top view of thereof; and,
FIG. 7 is a bottom view of thereof.

1 Claim, 7 Drawing Sheets

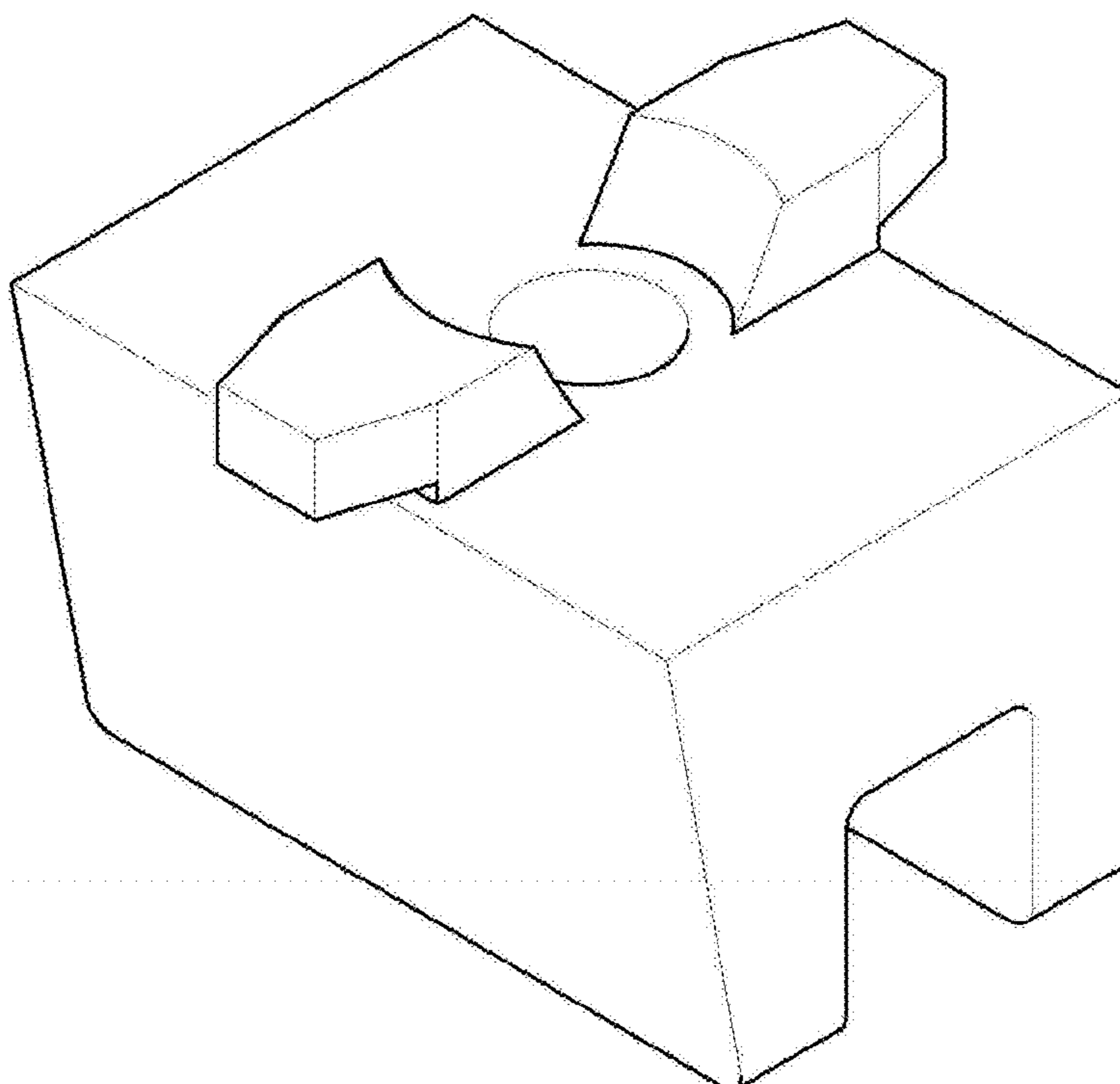


FIG. 1

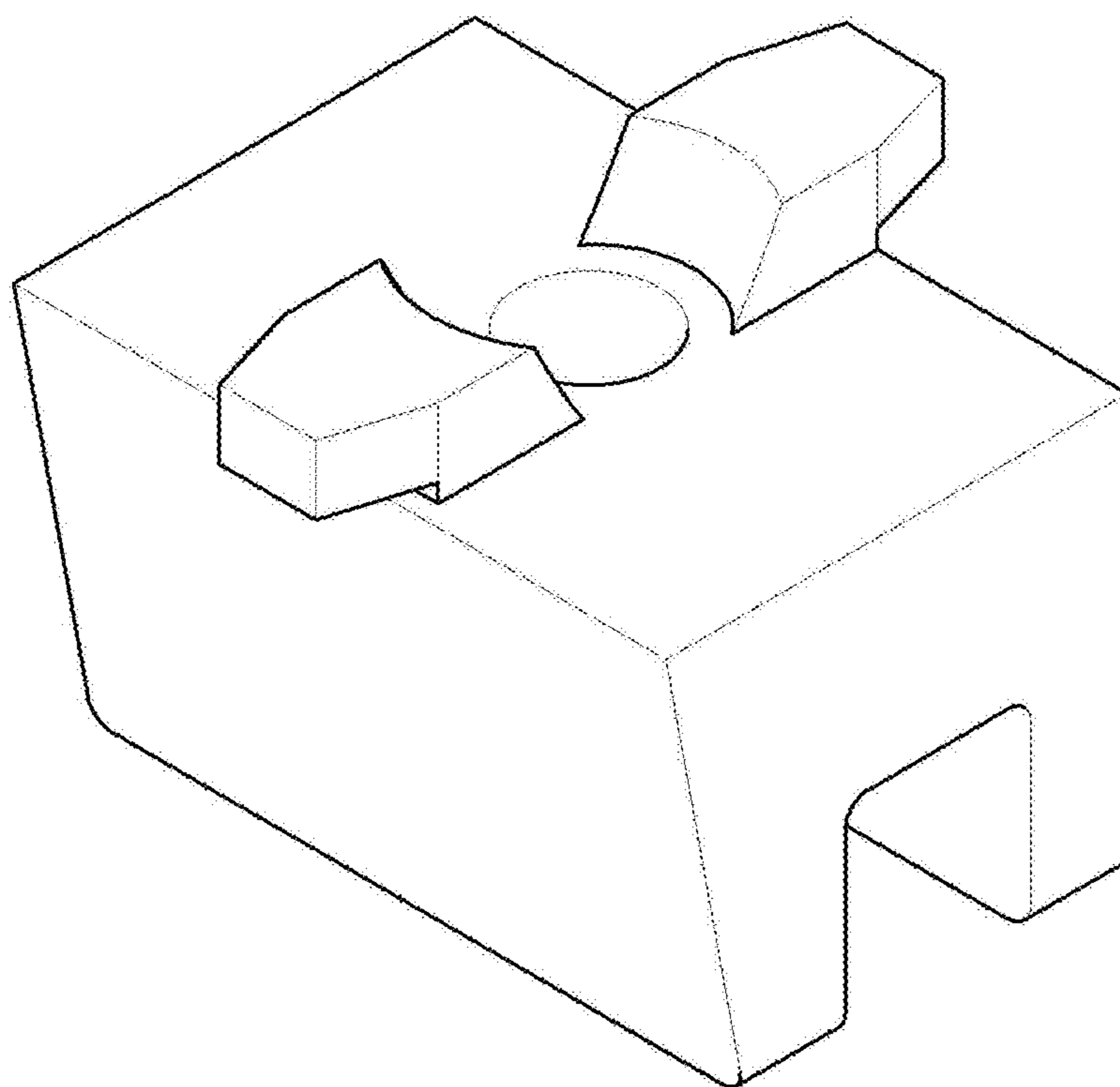


FIG. 2

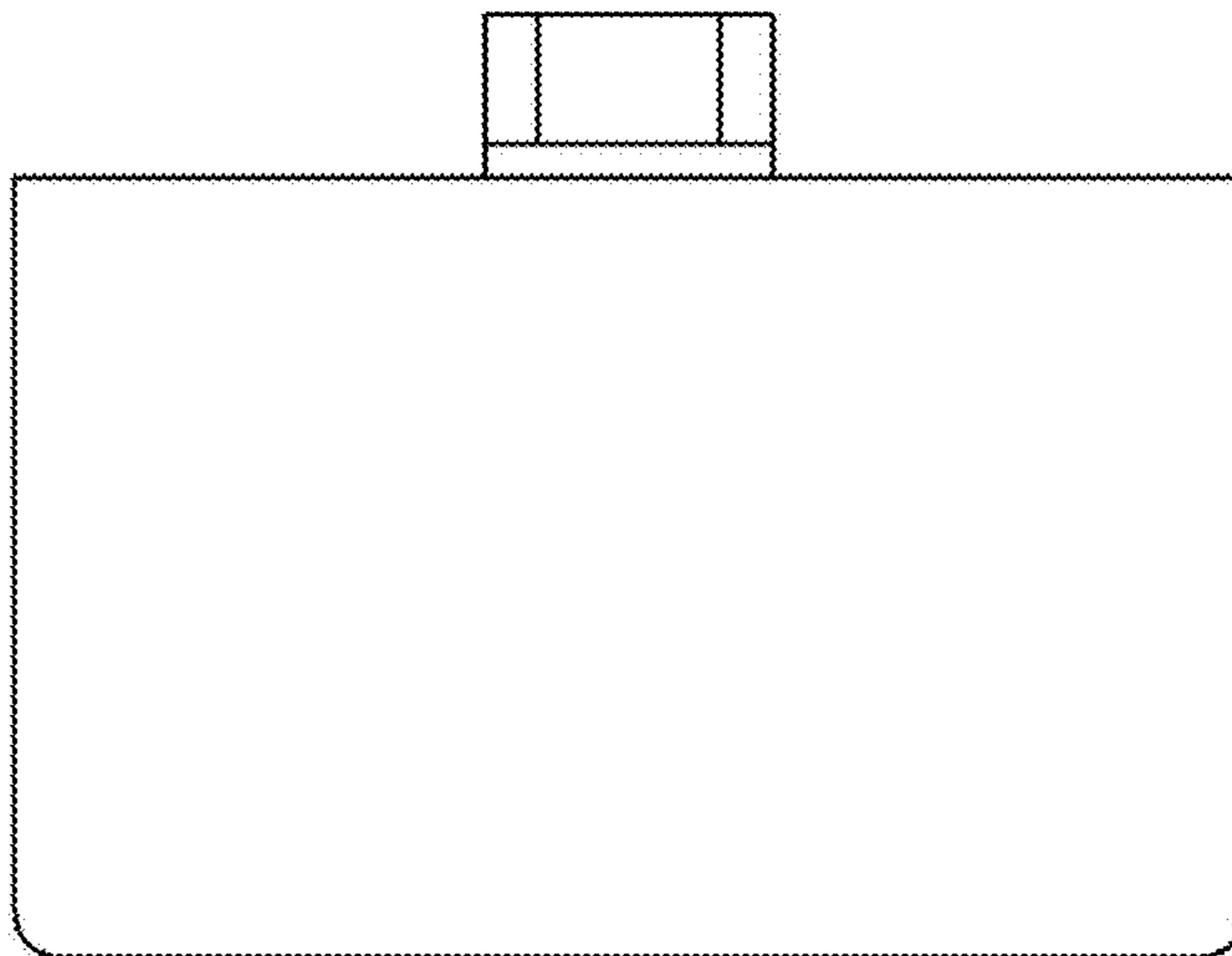


FIG. 3

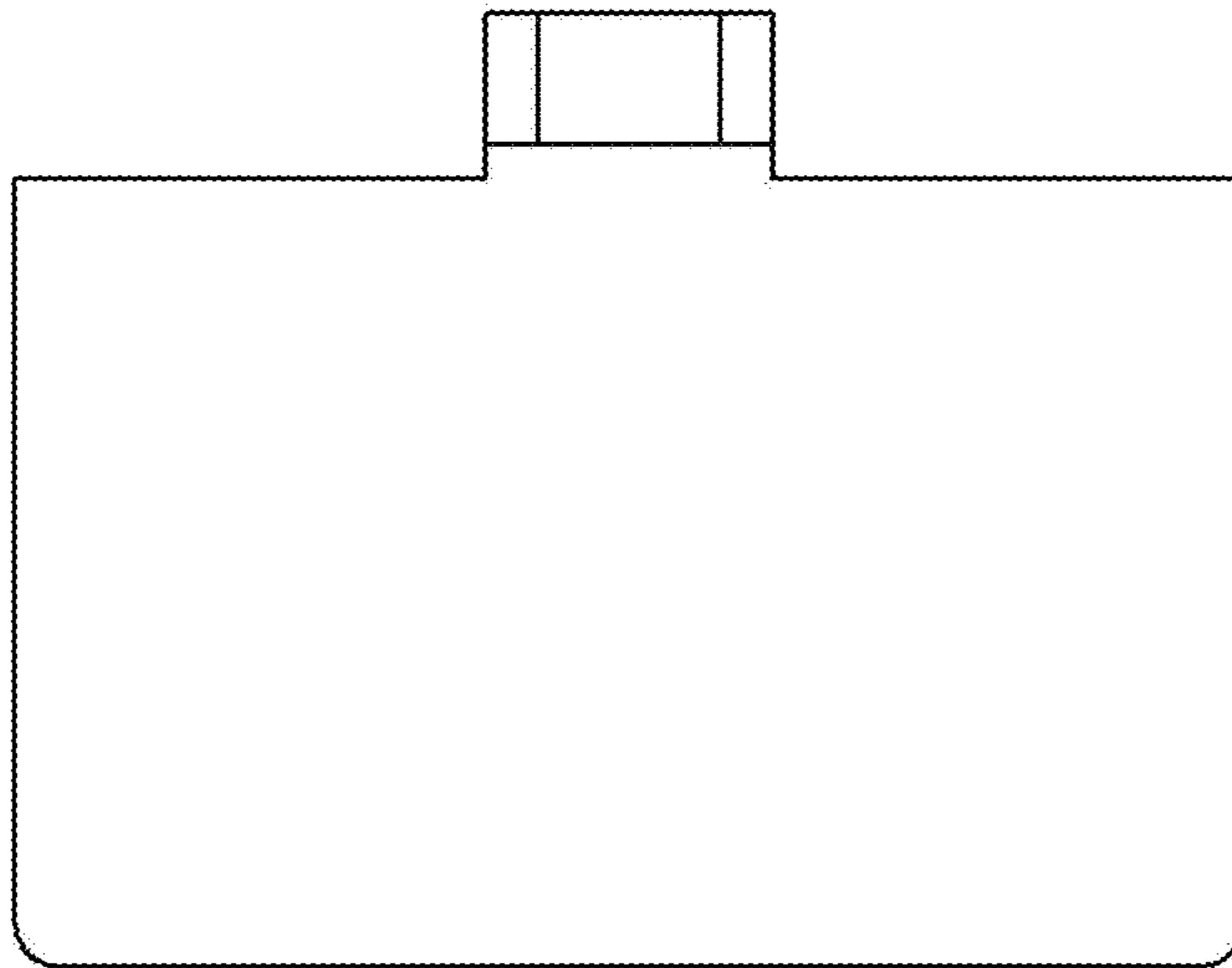


FIG. 4

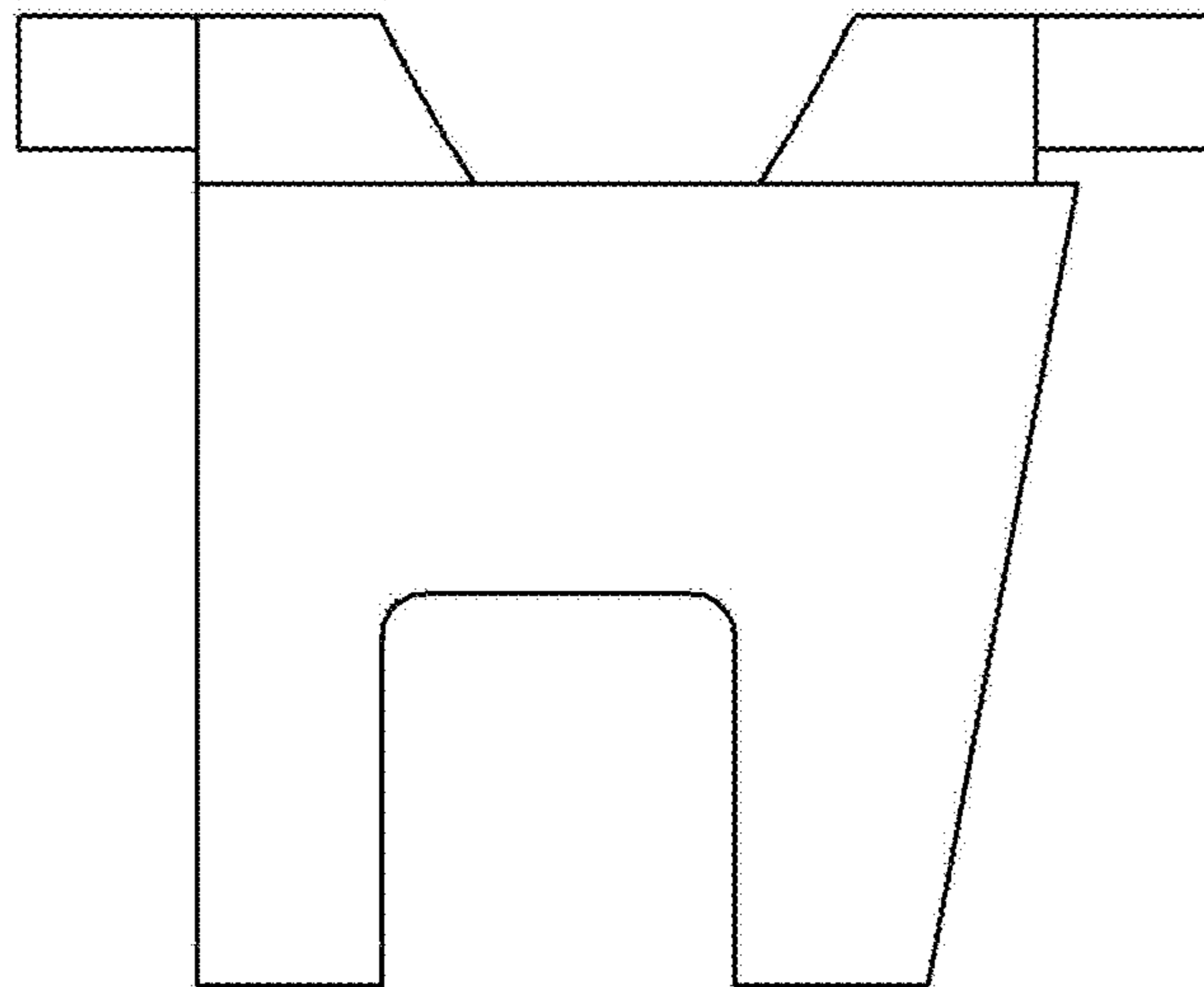


FIG. 5

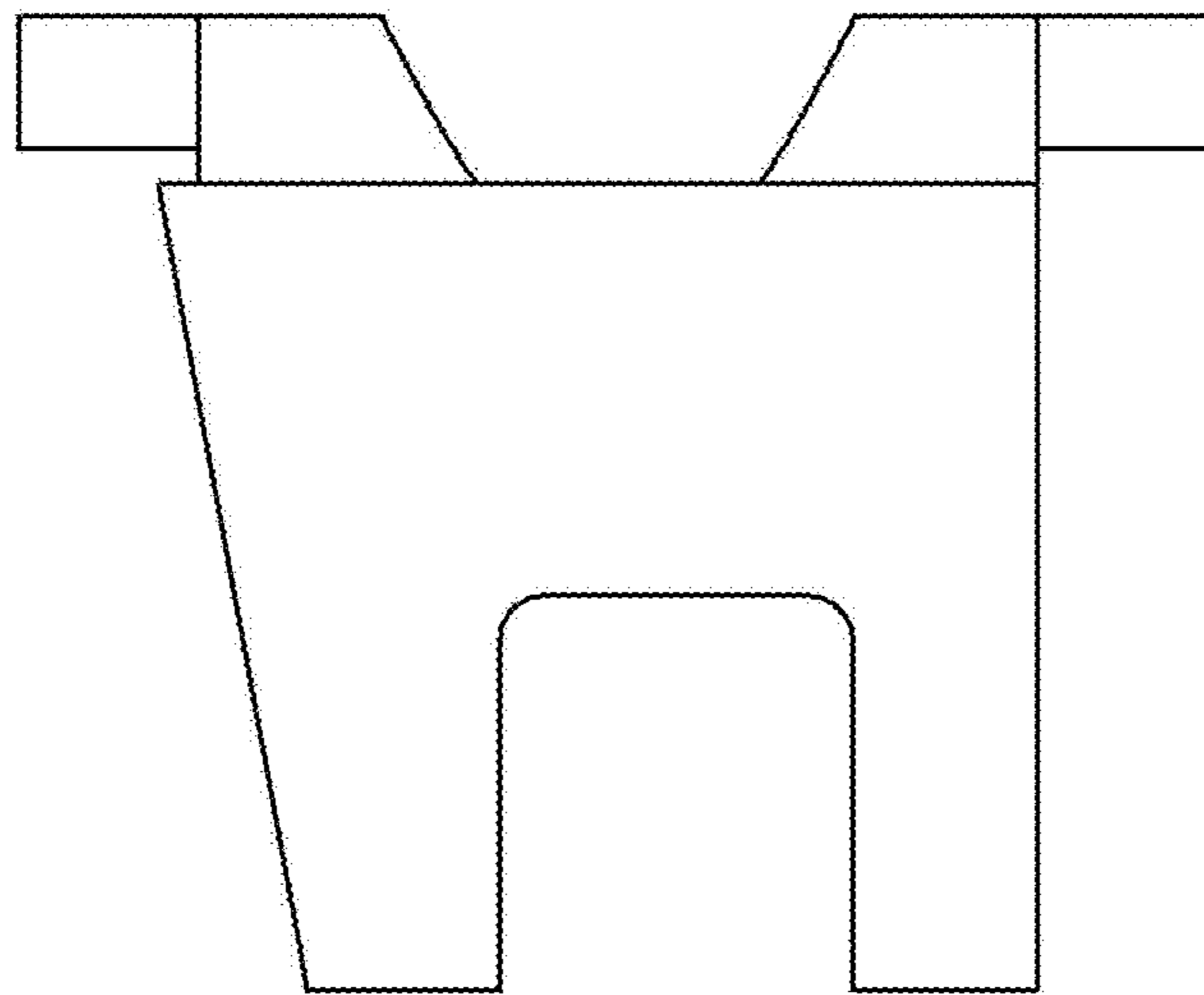


FIG. 6

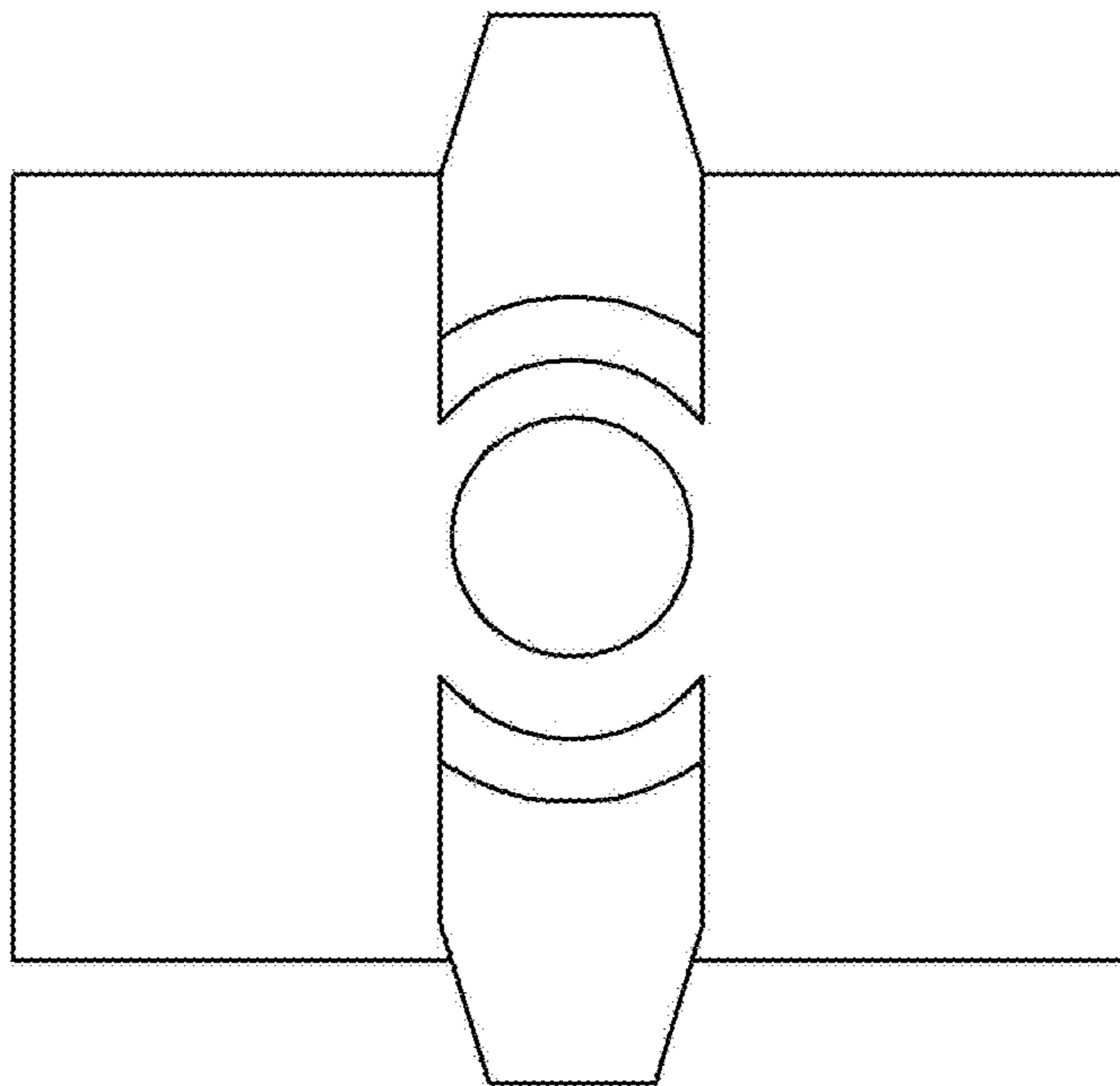


FIG. 7

