



US00D925038S

(12) **United States Design Patent** (10) **Patent No.:** **US D925,038 S**  
**Byun** (45) **Date of Patent:** **\*\* Jul. 13, 2021**

(54) **BLOCK FOR SYNOSTOSIS**  
(71) Applicant: **OHTOMEDICAL CO., LTD,**  
Goyang-si (KR)  
(72) Inventor: **A Ram Byun,** Goyang-si (KR)  
(73) Assignee: **OHTOMEDICAL CO., LTD,**  
Goyang-si (KR)  
(\*\*) Term: **15 Years**  
(21) Appl. No.: **29/705,825**  
(22) Filed: **Sep. 16, 2019**

(30) **Foreign Application Priority Data**  
Mar. 18, 2019 (KR) ..... 30-2019-0012032  
(51) **LOC (13) Cl.** ..... **24-03**  
(52) **U.S. Cl.**  
USPC ..... **D24/155**  
(58) **Field of Classification Search**  
USPC ..... D24/155-157  
CPC ..... A61B 17/8061; A61B 17/7059; A61B  
17/8052; A61B 17/8605; A61B 17/809;  
A61B 17/8014; A61B 17/8033; A61B  
17/8004; A61B 17/888; A61B 17/842;  
A61B 17/8023; A61B 17/8009; A61B  
17/86; A61B 17/739; A61B 17/8066;  
A61B 17/1671; A61B 17/1757; A61B  
17/8071; A61B 17/176; A61B 2017/1782;  
A61B 2017/1775

See application file for complete search history.

(56) **References Cited**

U.S. PATENT DOCUMENTS

6,902,578 B1 *	6/2005	Anderson	.....	A61F 2/28 623/16.11
D565,179 S *	3/2008	Kubo	.....	D24/155
D642,688 S *	8/2011	Binder	.....	D24/155
D658,761 S *	5/2012	Brotman	.....	D24/155
D677,791 S *	3/2013	Danacioglu	.....	D24/155
D685,475 S *	7/2013	Brotman	.....	D24/155
D710,010 S *	7/2014	Nakaji	.....	D24/155
D710,011 S *	7/2014	Nakaji	.....	D24/155
D765,846 S *	9/2016	Lins	.....	D24/155
D767,133 S *	9/2016	Gotfried	.....	D24/155
D849,946 S *	5/2019	Gustine	.....	D24/155

\* cited by examiner

*Primary Examiner* — Charles D Hanson  
(74) *Attorney, Agent, or Firm* — STIP Law Group, LLC

(57) **CLAIM**  
The ornamental design for block for synostosis, as shown and described.

**DESCRIPTION**  
FIG. 1 is a perspective view of the block for synostosis showing the present design.  
FIG. 2 is a front view thereof.  
FIG. 3 is a rear view thereof.  
FIG. 4 is a left side view thereof.  
FIG. 5 is a right side view thereof.  
FIG. 6 is a top view of thereof; and,  
FIG. 7 is a bottom view of thereof.

**1 Claim, 7 Drawing Sheets**

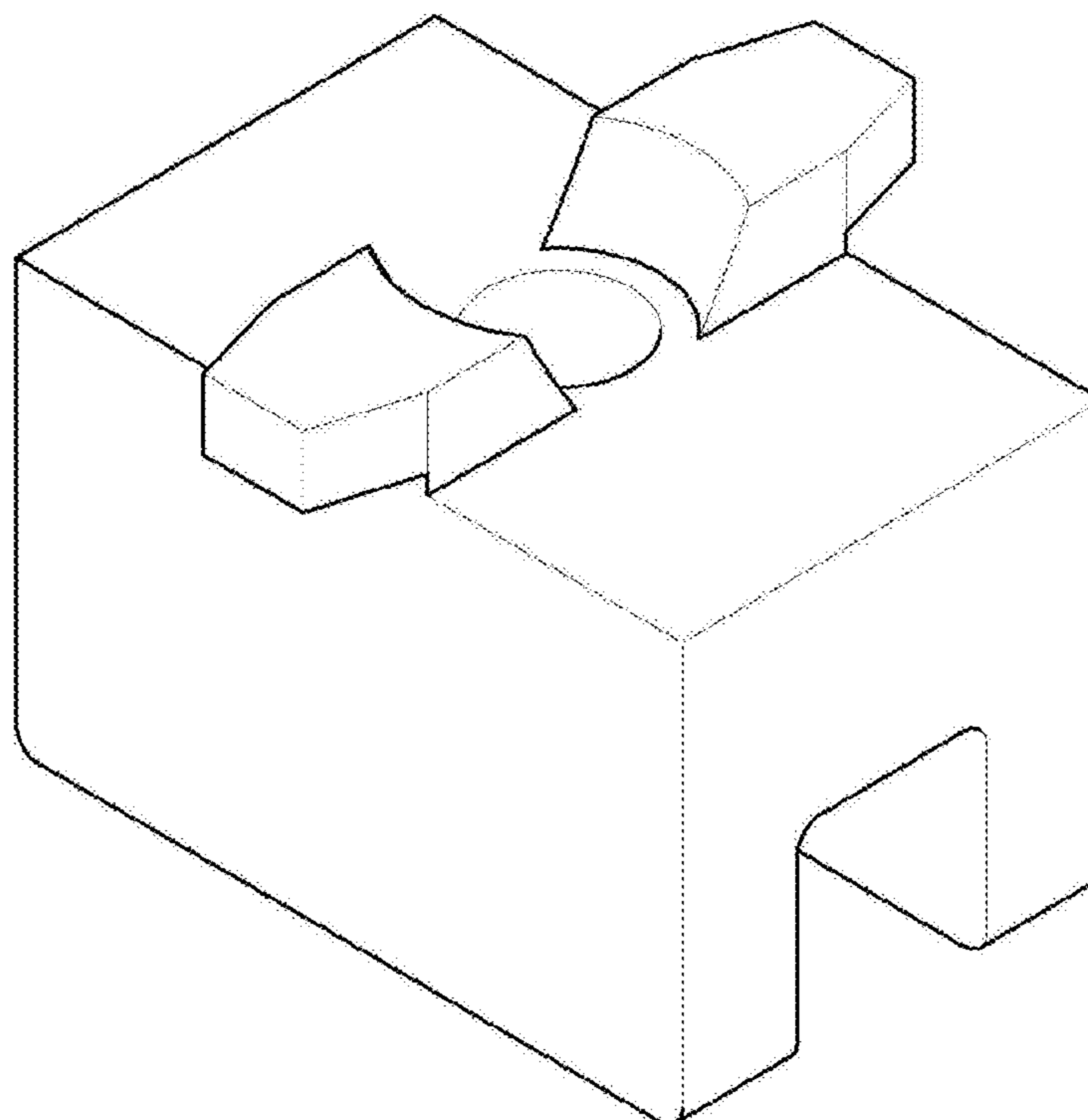


FIG. 1

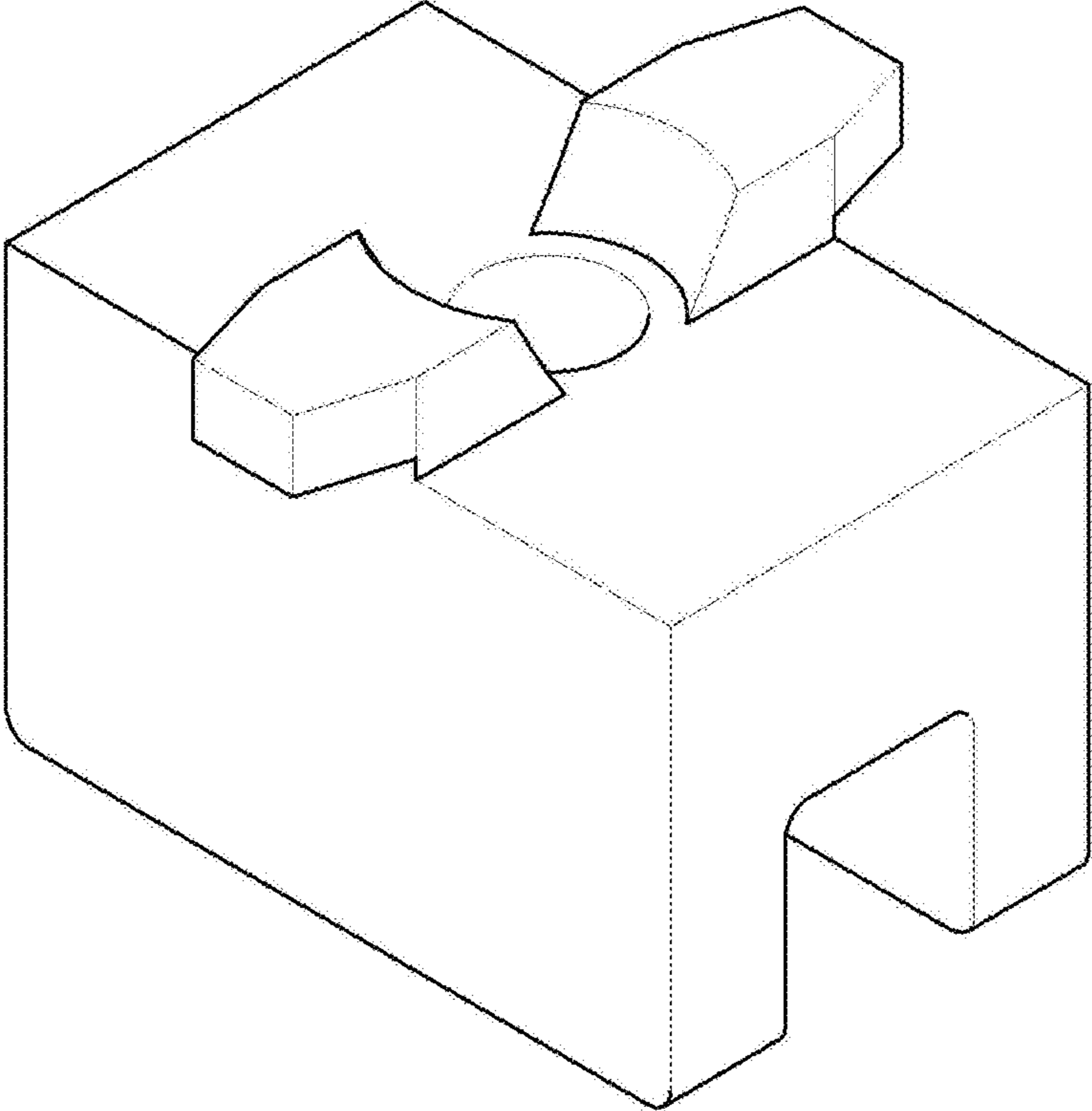


FIG. 2

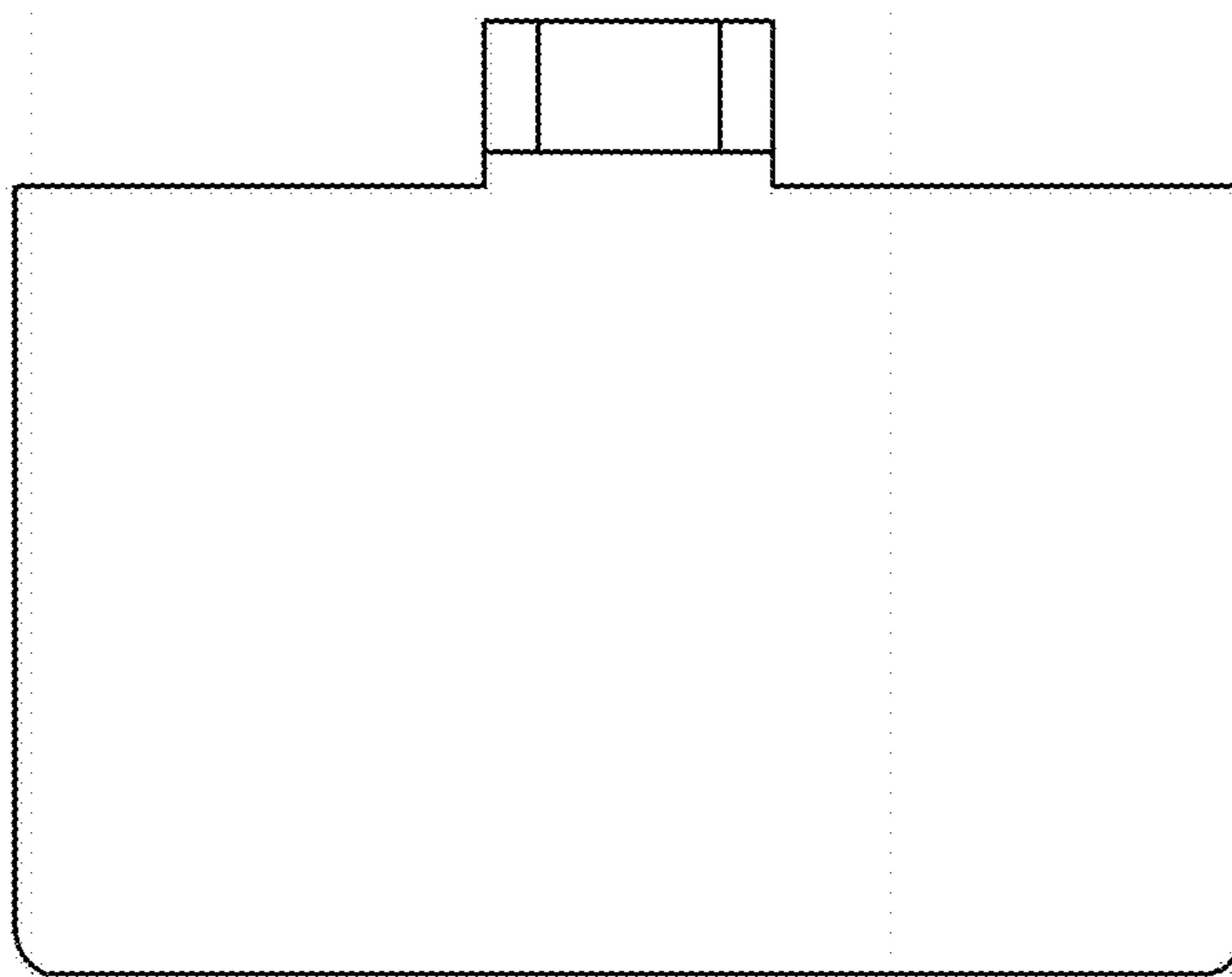


FIG. 3

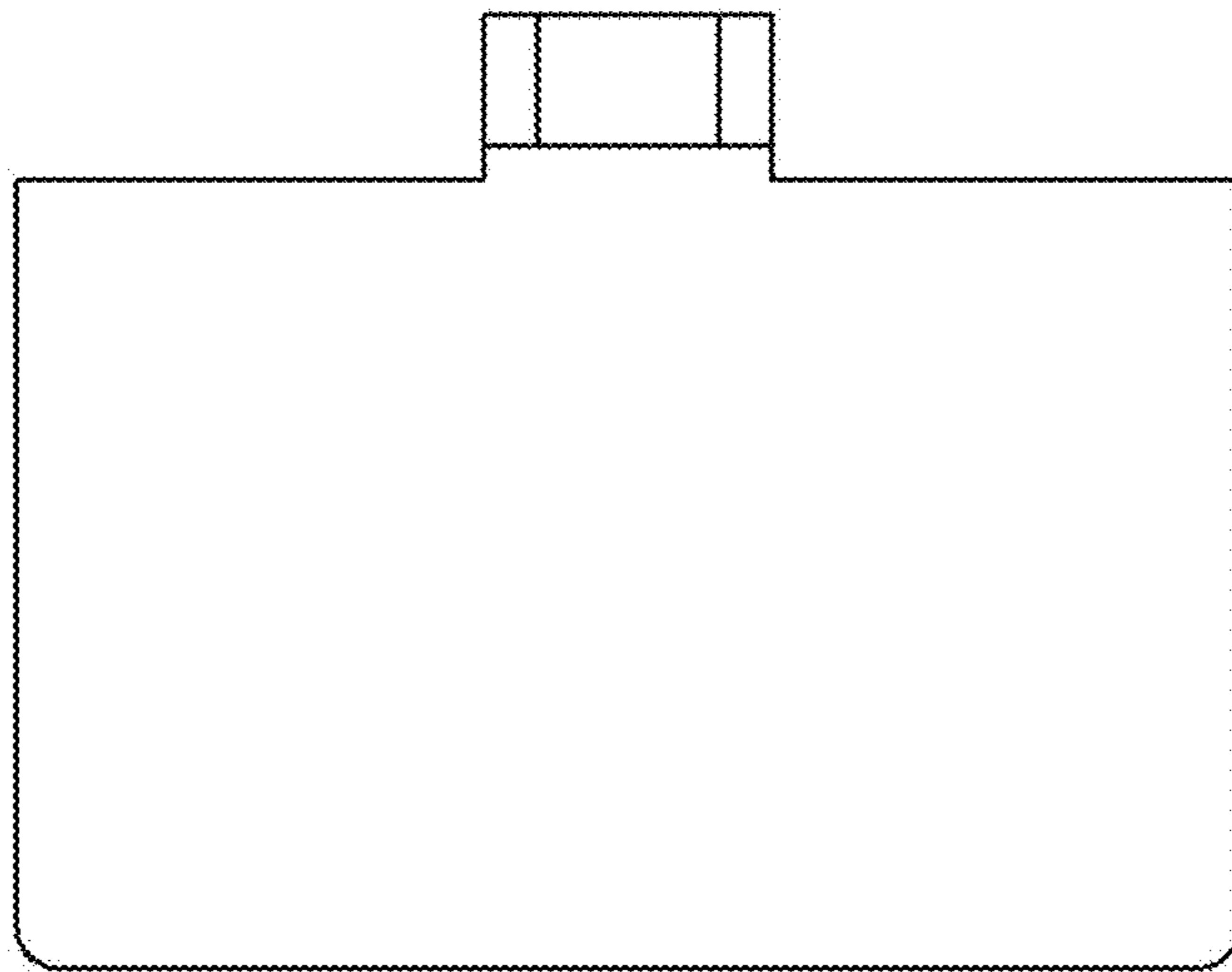


FIG. 4

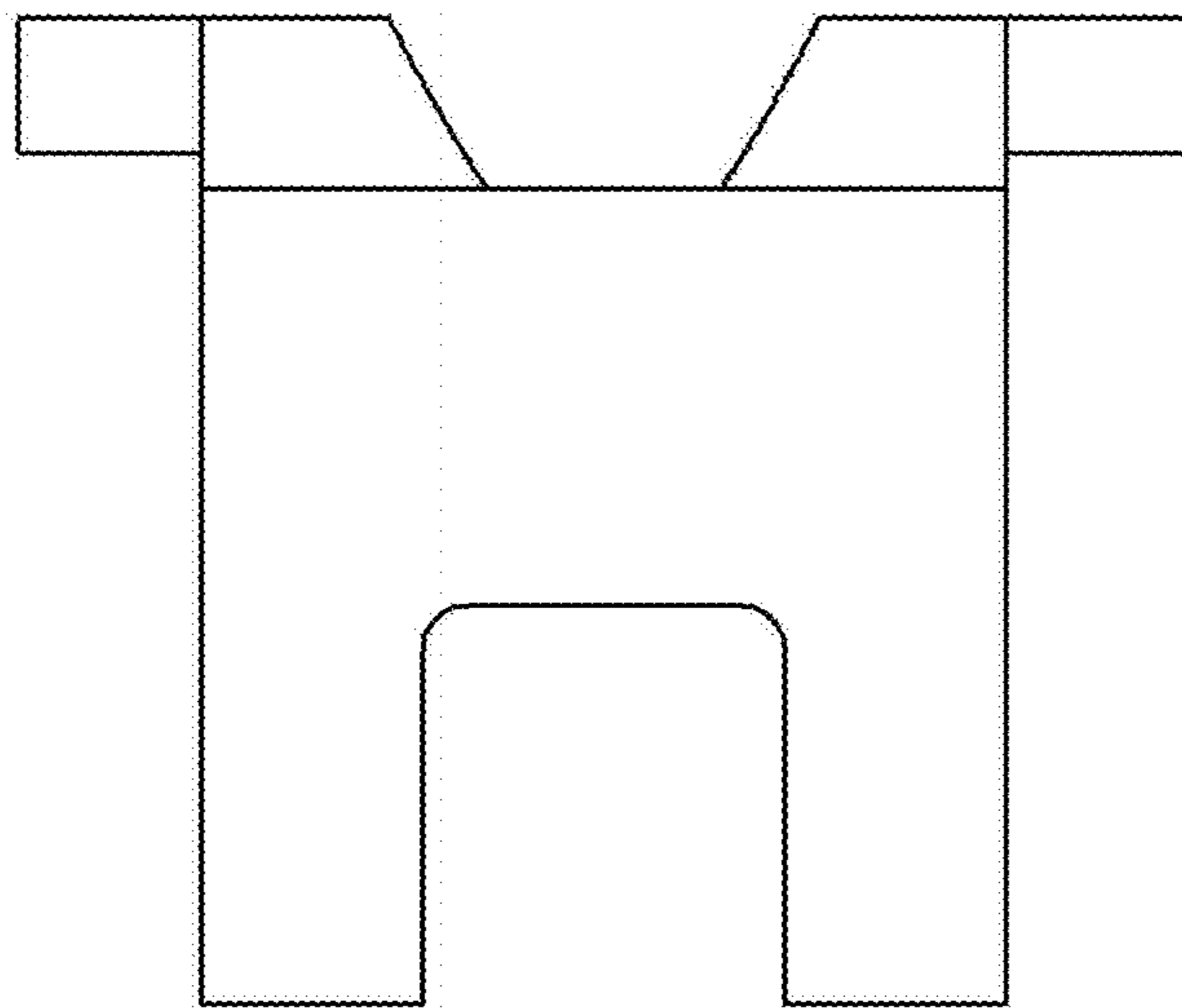


FIG. 5

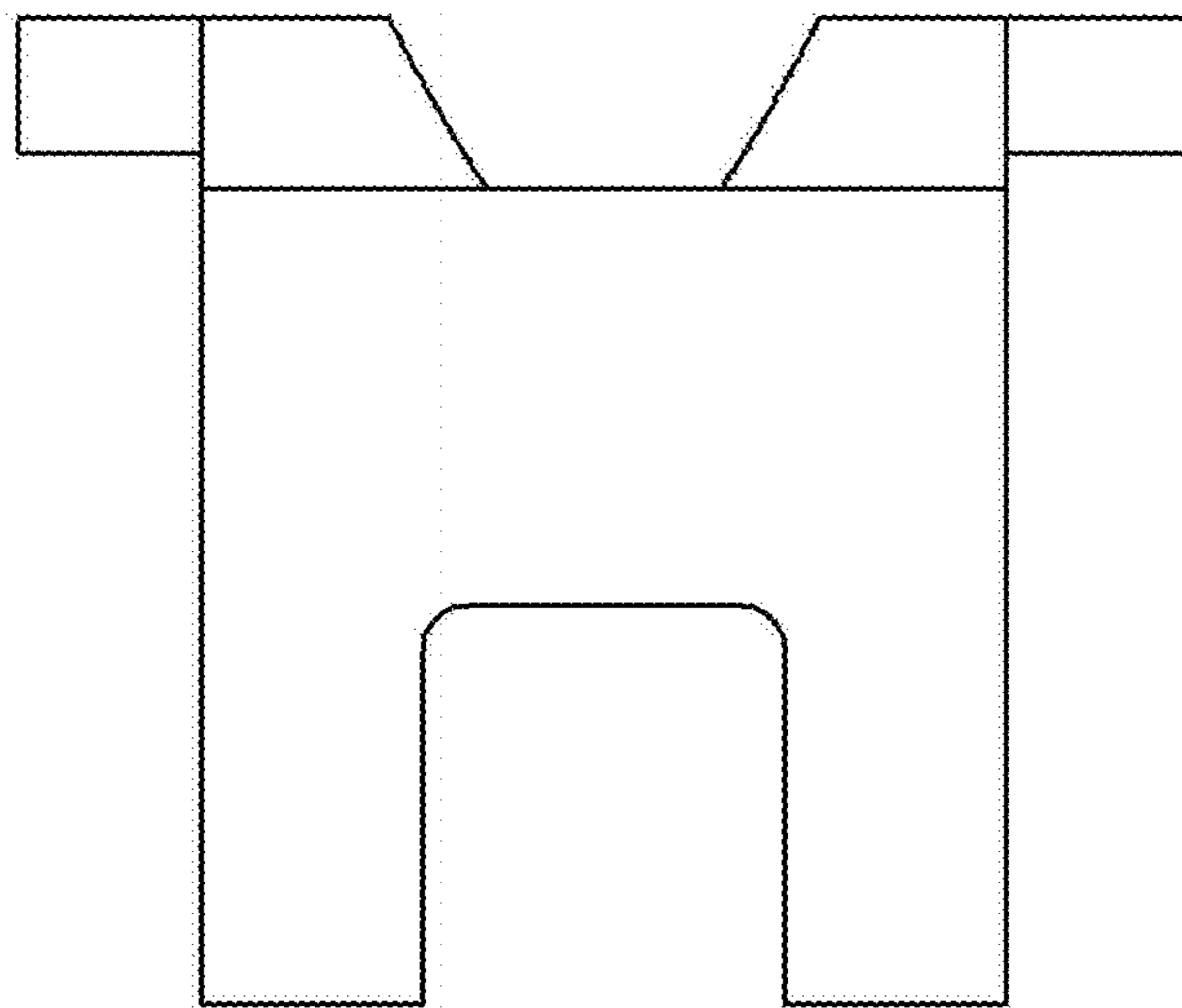


FIG. 6

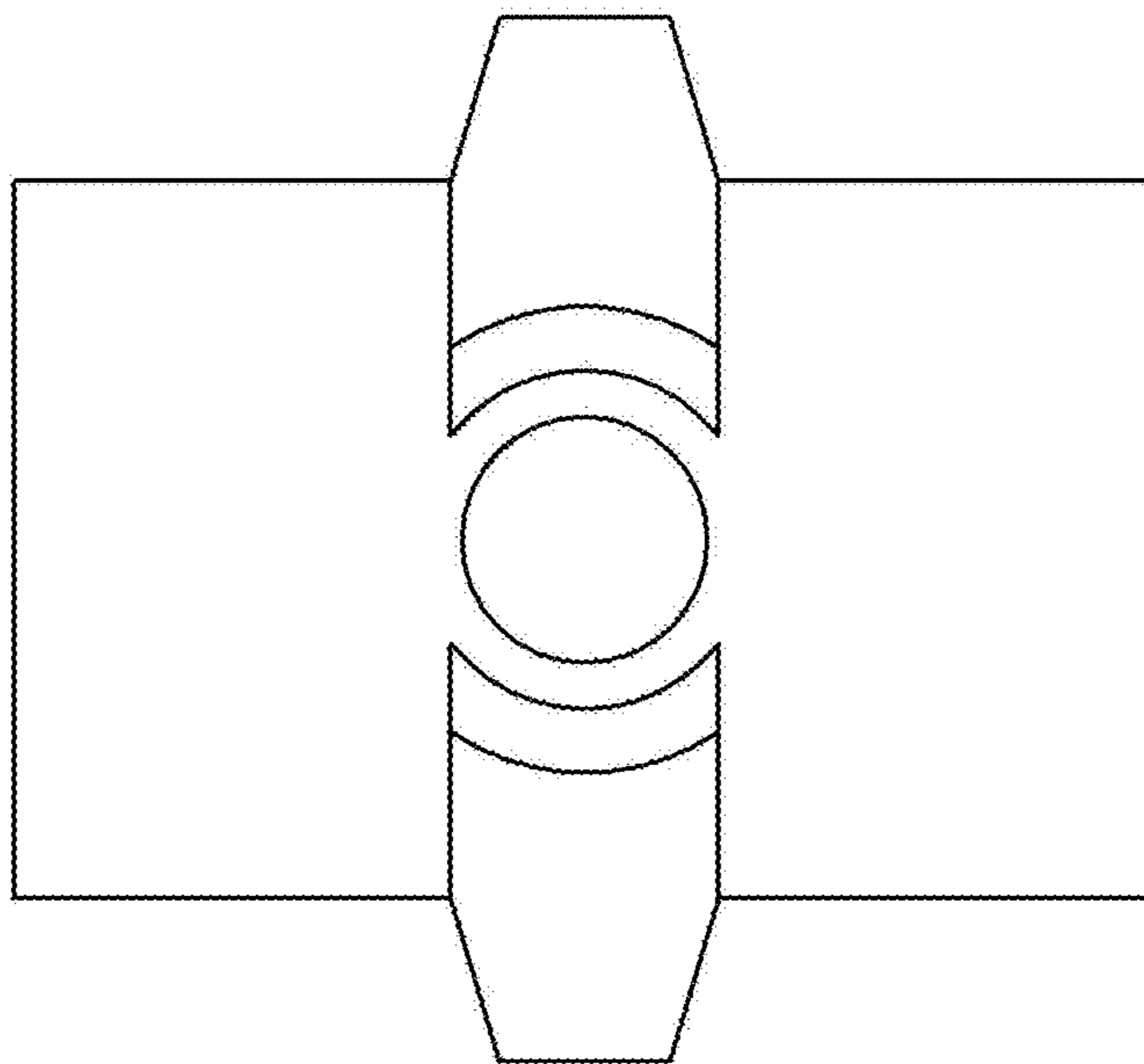


FIG. 7

