

US00D925037S

(12) **United States Design Patent** (10) **Patent No.:** **US D925,037 S**
Zurcher et al. (45) **Date of Patent:** **** Jul. 13, 2021**

(54) **MEDICAL INSTRUMENT FOR EYE SURGICAL PURPOSES**

(71) Applicant: **Oertli-Instrumente AG**, Berneck (CH)

(72) Inventors: **Michael Zurcher**, St. Gallen (CH);
Lisa Kehren-Quitsdorf, Arbon (CH);
Lothar Knunz, Rankweil (AT)

(73) Assignee: **OERTLI-INSTRUMENTE AG**,
Berneck (CH)

(**) Term: **15 Years**

(21) Appl. No.: **35/507,840**

(22) Filed: **May 17, 2019**

(80) **Hague Agreement Data**

Int. Filing Date: **May 17, 2019**

Int. Reg. No.: **DM/203533**

Int. Reg. Date: **May 17, 2019**

Int. Reg. Pub. Date: **Nov. 22, 2019**

(51) **LOC (13) Cl.** **24-02**

(52) **U.S. Cl.**
USPC **D24/150**

(58) **Field of Classification Search**
USPC D24/150, 133, 138, 147, 172, 231
CPC A61N 2005/067; A61N 5/062; A61F 7/02;
A61B 3/165; A61B 3/16; A61B 3/18
See application file for complete search history.

(56) **References Cited**

U.S. PATENT DOCUMENTS

4,327,733 A * 5/1982 Gallie A61B 18/02
606/21
D319,874 S * 9/1991 Hoelbl D16/221
6,575,040 B2 * 6/2003 Dietrich A61B 5/03
73/756

D633,617 S * 3/2011 Bricker D24/150
D681,808 S * 5/2013 Holaschke D24/114
D731,060 S * 6/2015 Little, III D24/150
D747,806 S * 1/2016 Wargner D24/150
D817,488 S * 5/2018 Umemura D24/138
D819,207 S * 5/2018 Blank D24/144
D875,946 S * 2/2020 Abelson D24/172
2008/0081952 A1 4/2008 Josephberg
2019/0059937 A1 * 2/2019 Buyda A61B 17/3423

OTHER PUBLICATIONS

Oertli Launches the ViPer Illuminated Scleral Indentor for Retinal Surgery <https://eyewire.news/articles/oertli-launches-the-viper-illuminated-scleral-indentor-for-retinal-surgery/> Jan. 22, 2020 (Year: 2020).*

* cited by examiner

Primary Examiner — Samantha Q Lawrence

(74) *Attorney, Agent, or Firm* — Sughrue Mion, PLLC

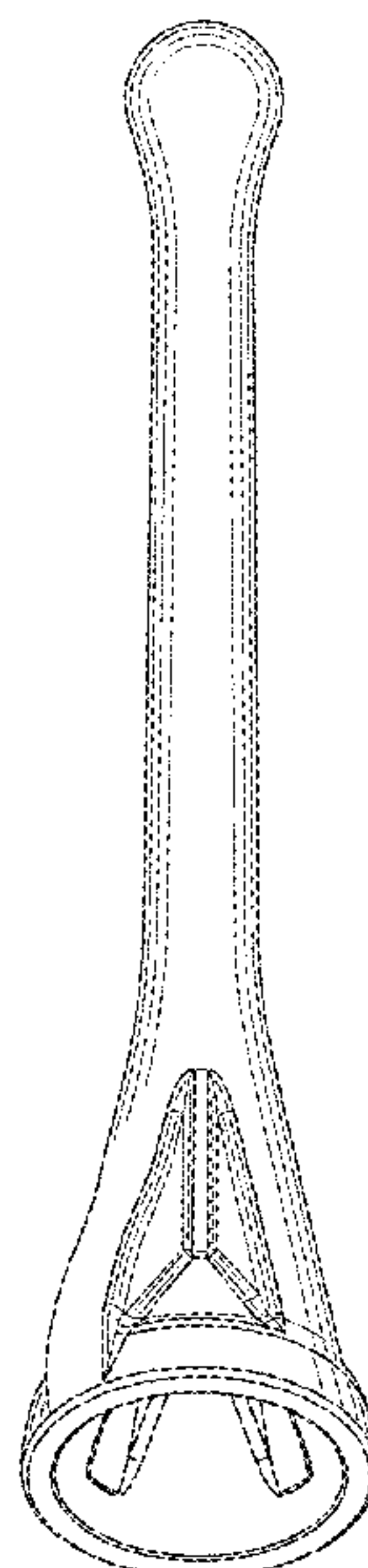
(57) **CLAIM**

The ornamental design for a medical instrument for eye surgical purposes, as shown and described.

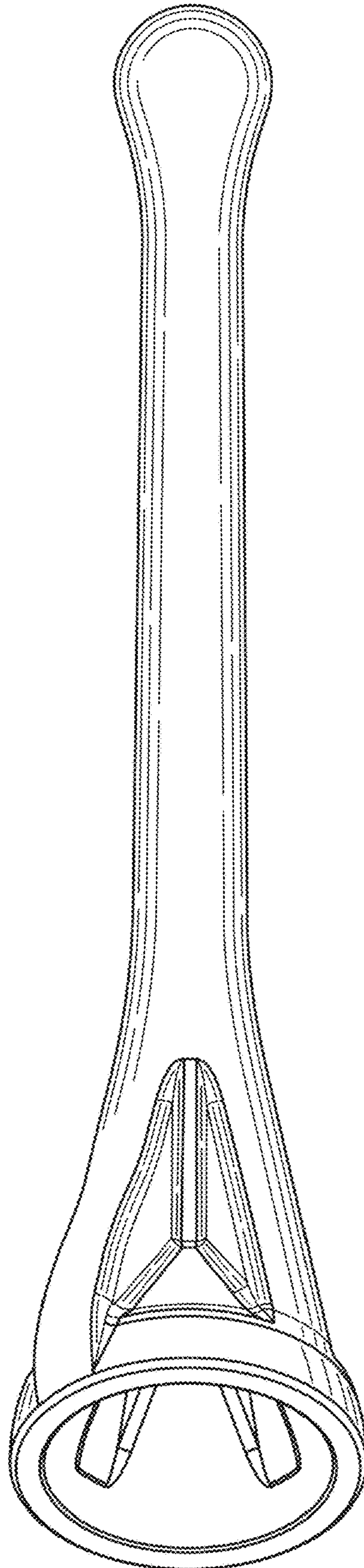
DESCRIPTION

Figure 3.1 is a perspective view of the medical instrument for eye surgical purposes showing our new design; Figure 3.2 is a front elevation view thereof; Figure 3.3 is a back side view thereof; Figure 3.4 is a right side view thereof; Figure 3.5 is a left side view thereof; Figure 3.6 is a top view thereof; and Figure 3.7 is a bottom view thereof. The broken lines shown in Figure 3.7 illustrate portions of the medical instrument for eye surgical purposes that form no part of the claimed design.

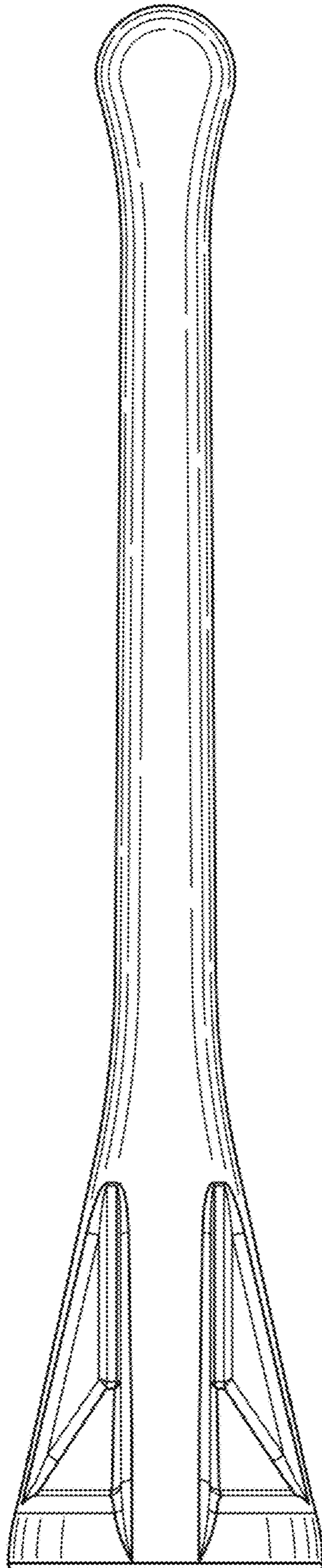
1 Claim, 7 Drawing Sheets



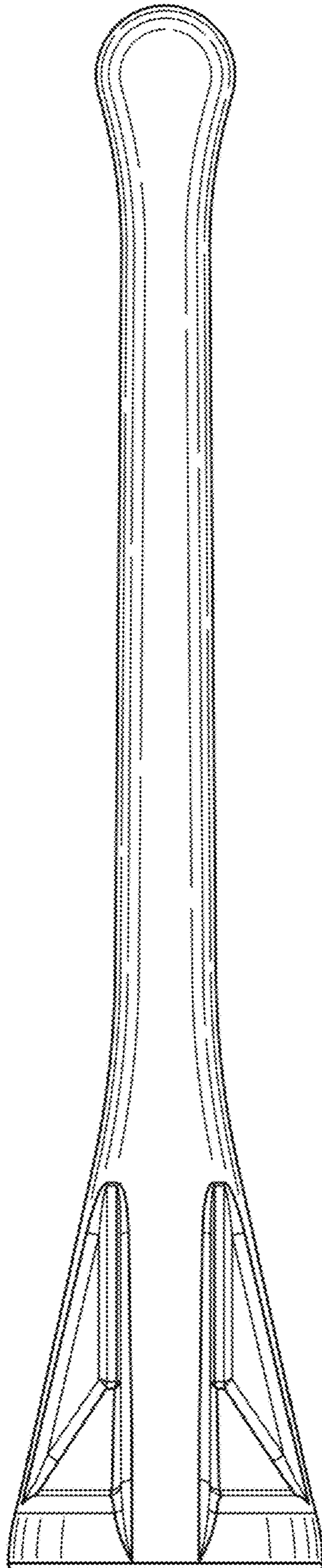
3.1



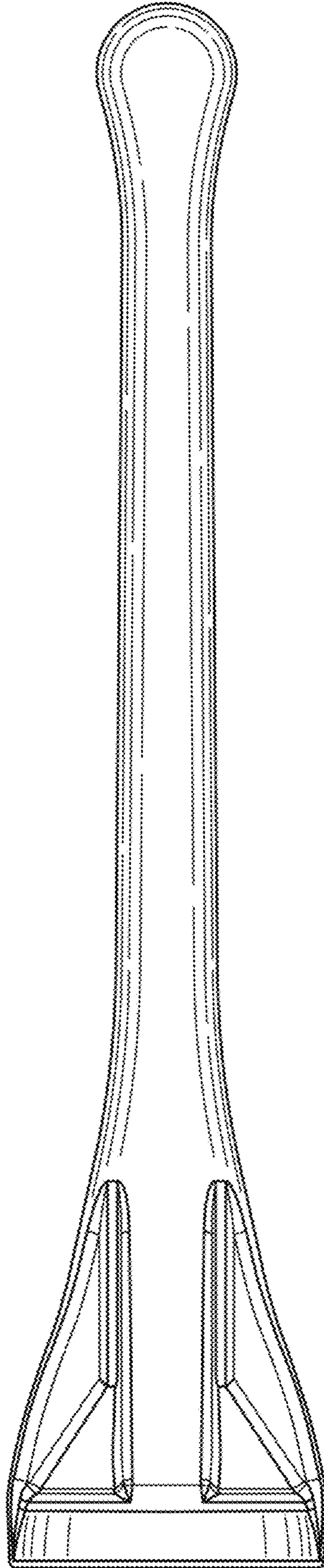
3.2



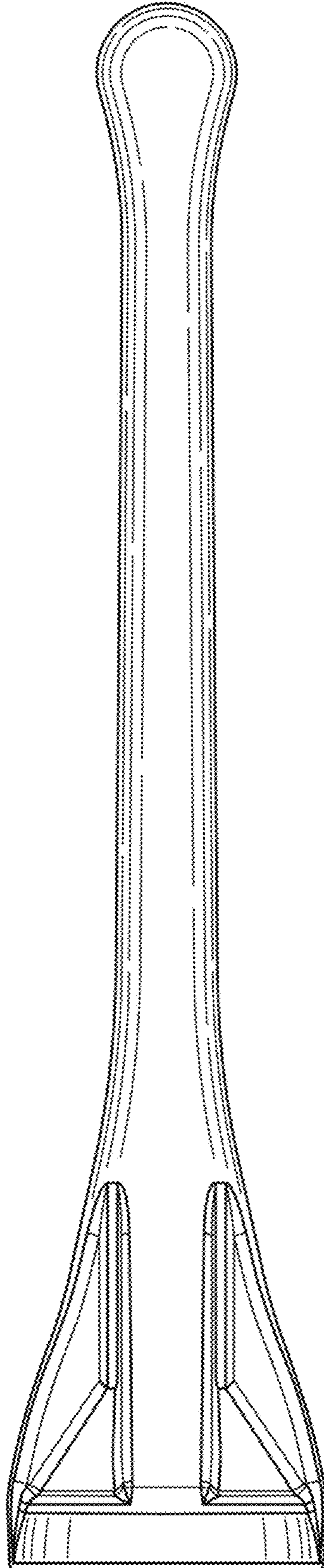
3.3



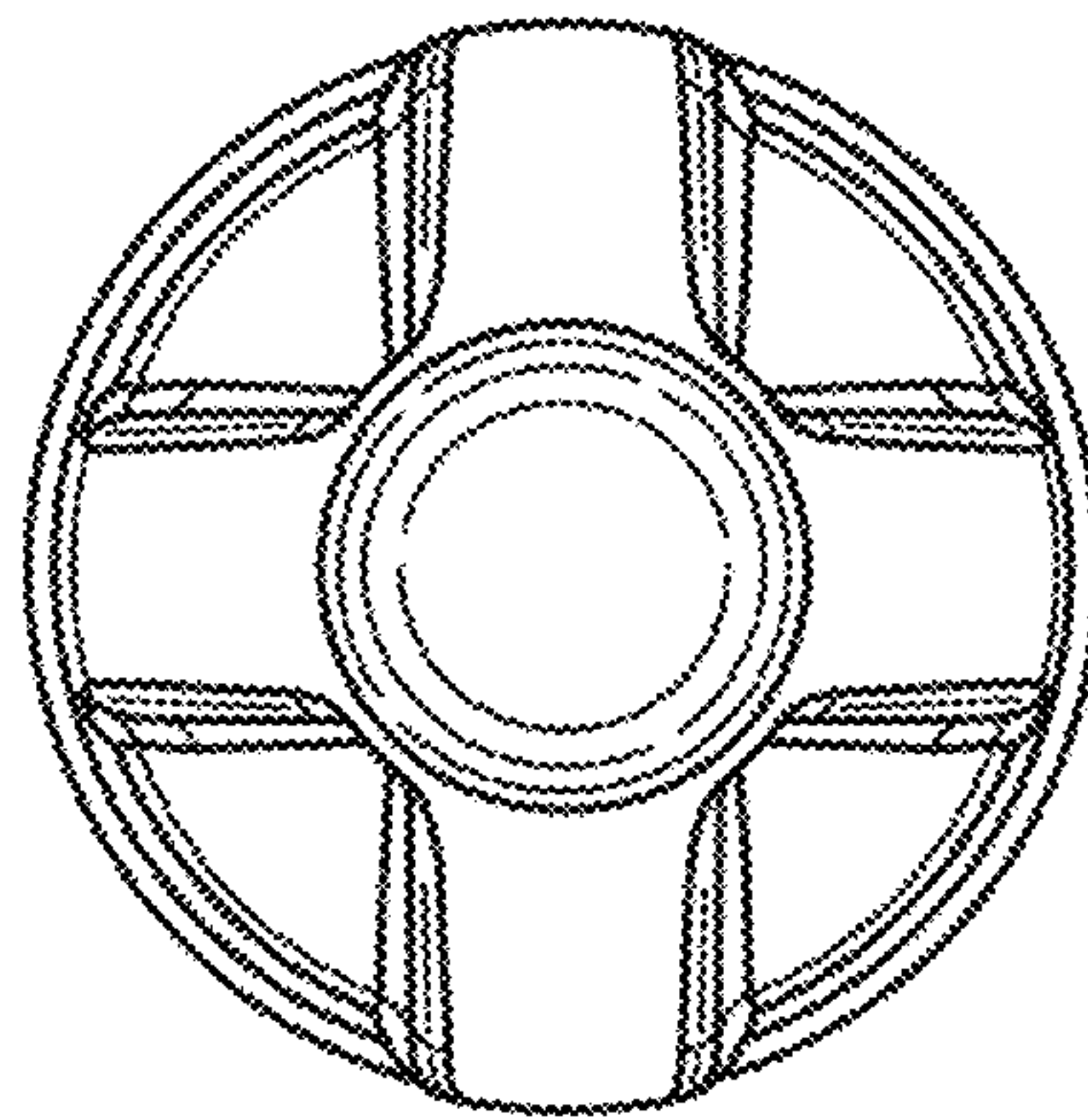
3.4



3.5



3.6



3.7

