



US00D925035S

(12) **United States Design Patent**
Zhang

(10) **Patent No.:** **US D925,035 S**

(45) **Date of Patent:** **** Jul. 13, 2021**

(54) **COMBINED TATTOO NEEDLE AND NEEDLE COVER**

(71) Applicant: **Yunping Zhang**, Jiangsu (CN)

(72) Inventor: **Yunping Zhang**, Jiangsu (CN)

(**) Term: **15 Years**

(21) Appl. No.: **29/698,054**

(22) Filed: **Jul. 12, 2019**

(51) **LOC (13) Cl.** **24-02**

(52) **U.S. Cl.**
USPC **D24/144**

(58) **Field of Classification Search**
USPC D24/144, 146, 133; 81/9.22; 606/9, 167, 606/185-186
CPC A61M 37/0076; A61M 37/0084; A61M 37/0092; A61M 5/46; A61M 5/48
See application file for complete search history.

(56) **References Cited**

U.S. PATENT DOCUMENTS

D842,468 S * 3/2019 Juan A61M 37/0076
D24/144
10,449,346 B2 * 10/2019 Juan A61M 37/0076

D887,001 S * 6/2020 Wang D24/144
10,835,725 B2 * 11/2020 Xiao A61M 37/0084
2017/0072177 A1 * 3/2017 Oscar A61M 37/0076
2017/0072178 A1 * 3/2017 Xiao A61M 37/0084
2019/0217072 A1 * 7/2019 Xiao A61M 37/0084
2020/0276429 A1 * 9/2020 Xiao A61M 37/0084

* cited by examiner

Primary Examiner — Wan Laymon

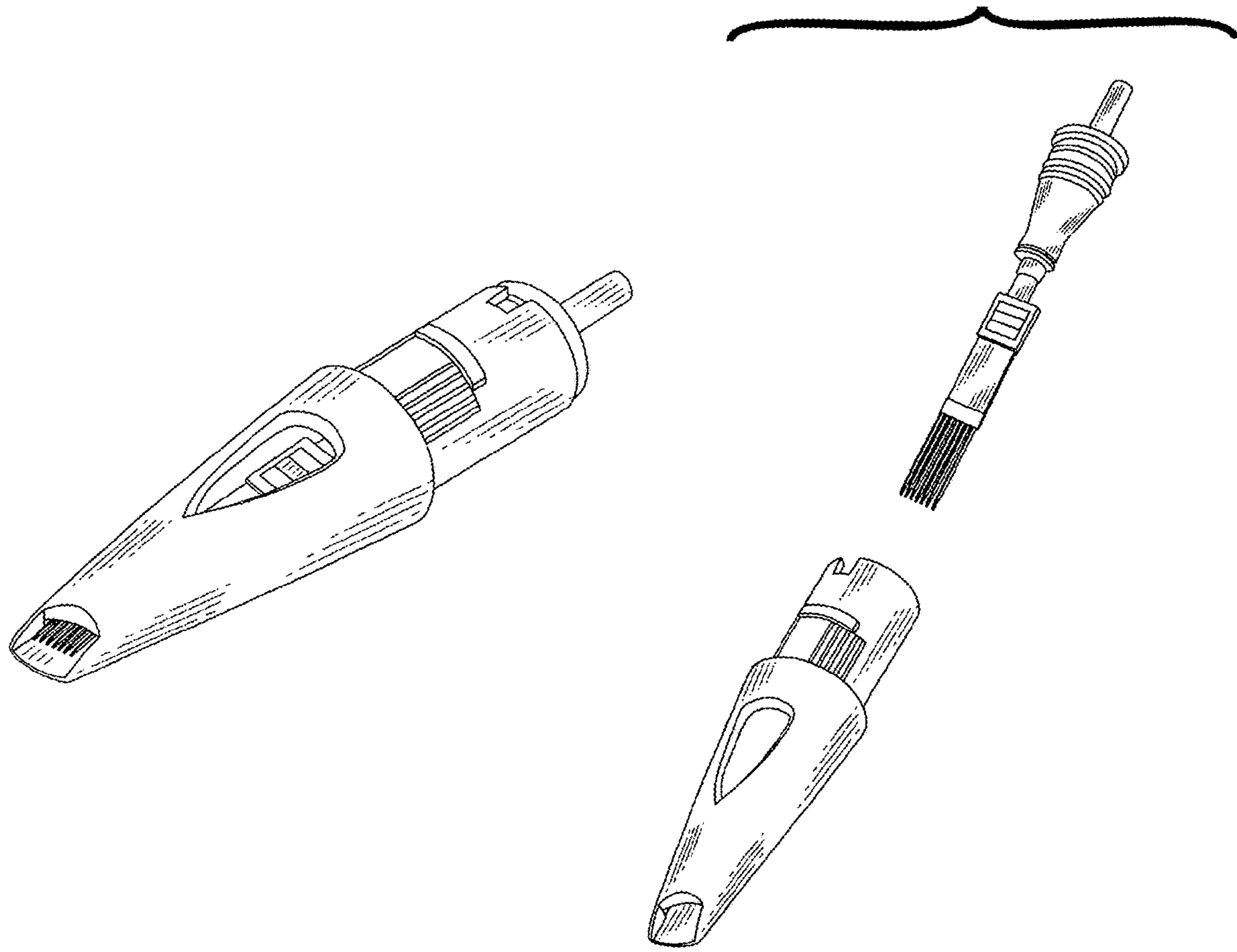
(57) **CLAIM**

The ornamental design for a combined tattoo needle and needle cover, as shown and described.

DESCRIPTION

FIG. 1 is a perspective view of a combined tattoo needle and needle cover showing my new design; FIG. 2 is a front elevation view thereof; FIG. 3 is a rear elevation view thereof; FIG. 4 is a left side elevation view thereof; FIG. 5 is a right side elevation view thereof; FIG. 6 is a top plan view thereof; FIG. 7 is a bottom plan view thereof; and, FIG. 8 is an exploded view thereof. The broken lines depict portions of the combined tattoo needle and needle cover and form no part of the claimed design.

1 Claim, 8 Drawing Sheets



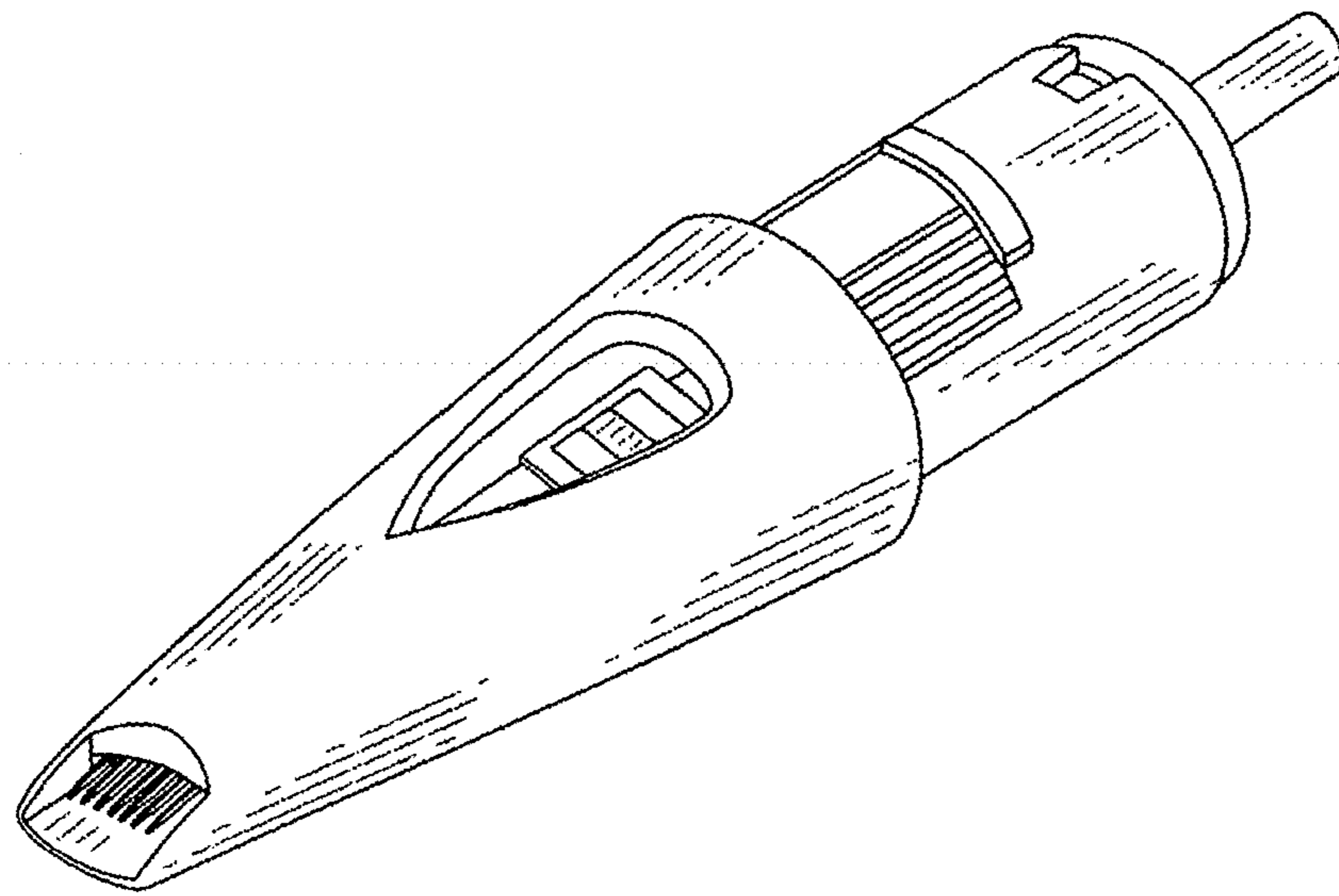


FIG.1

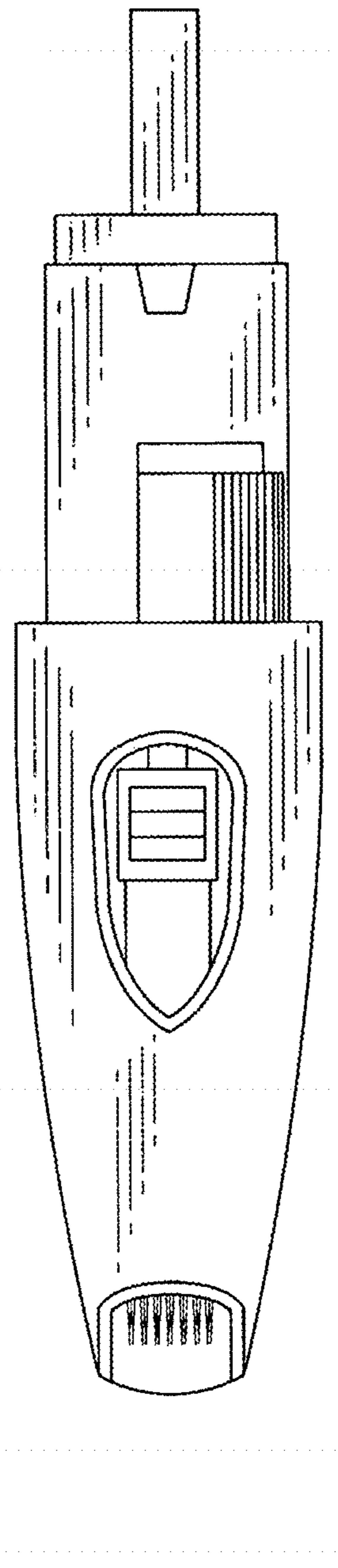


FIG.2

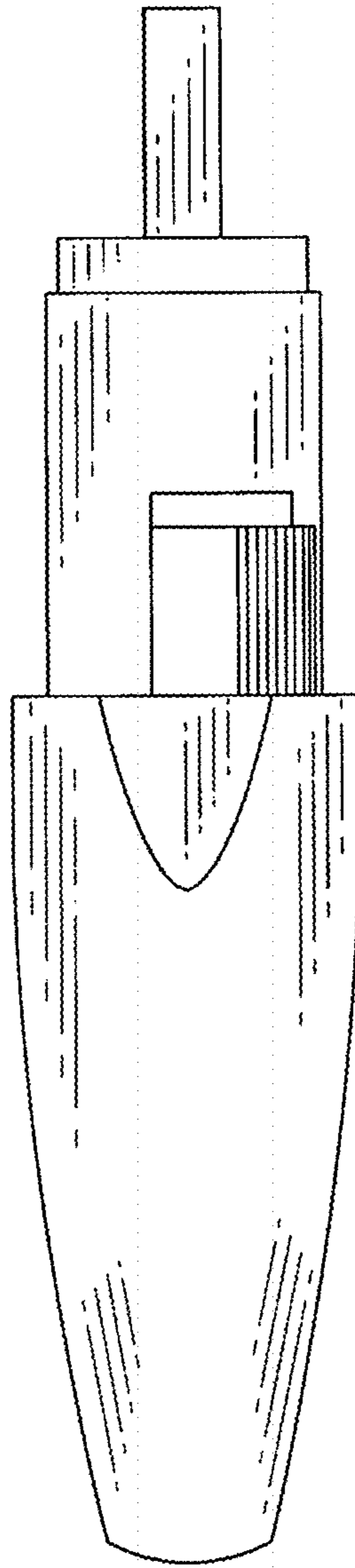


FIG.3

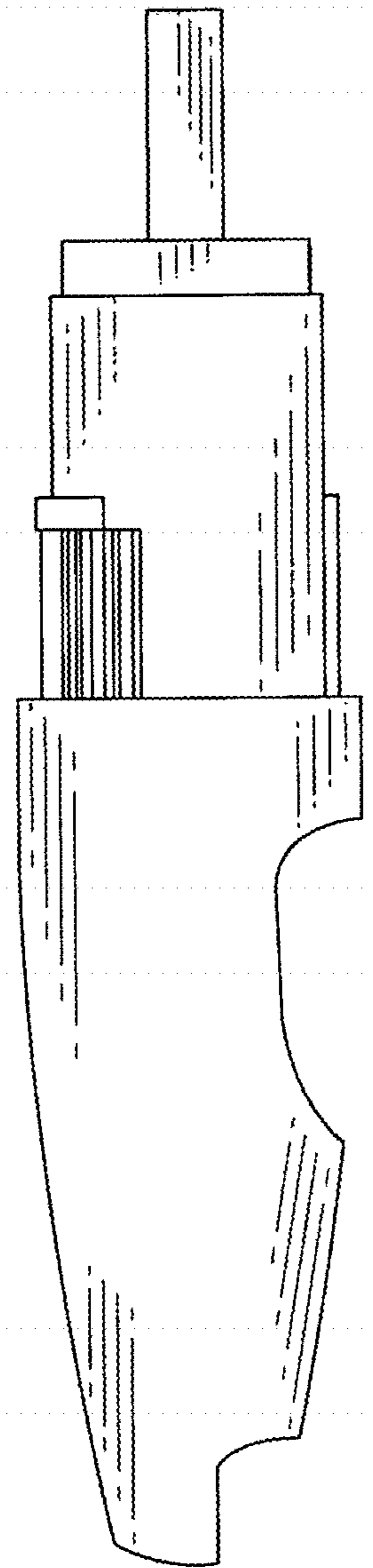


FIG.4

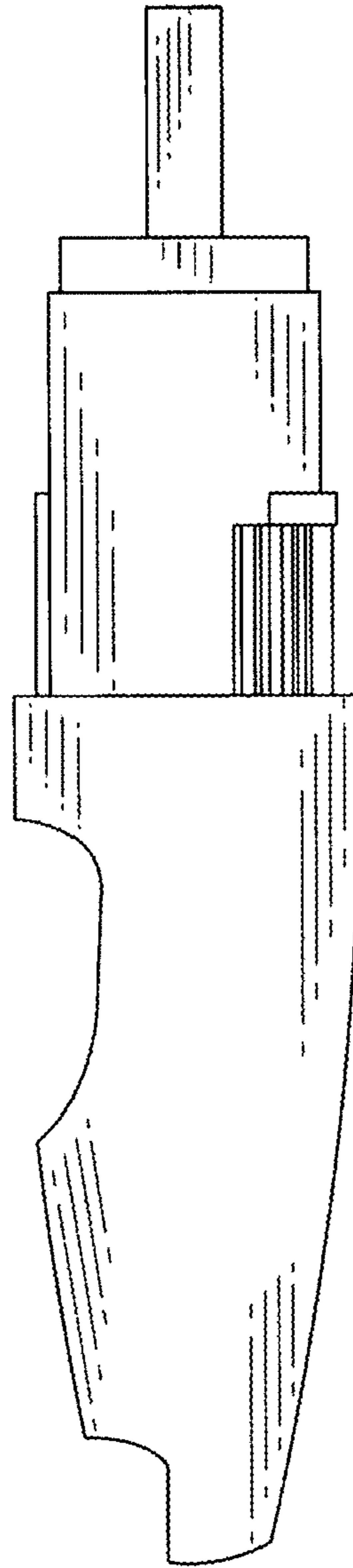


FIG.5

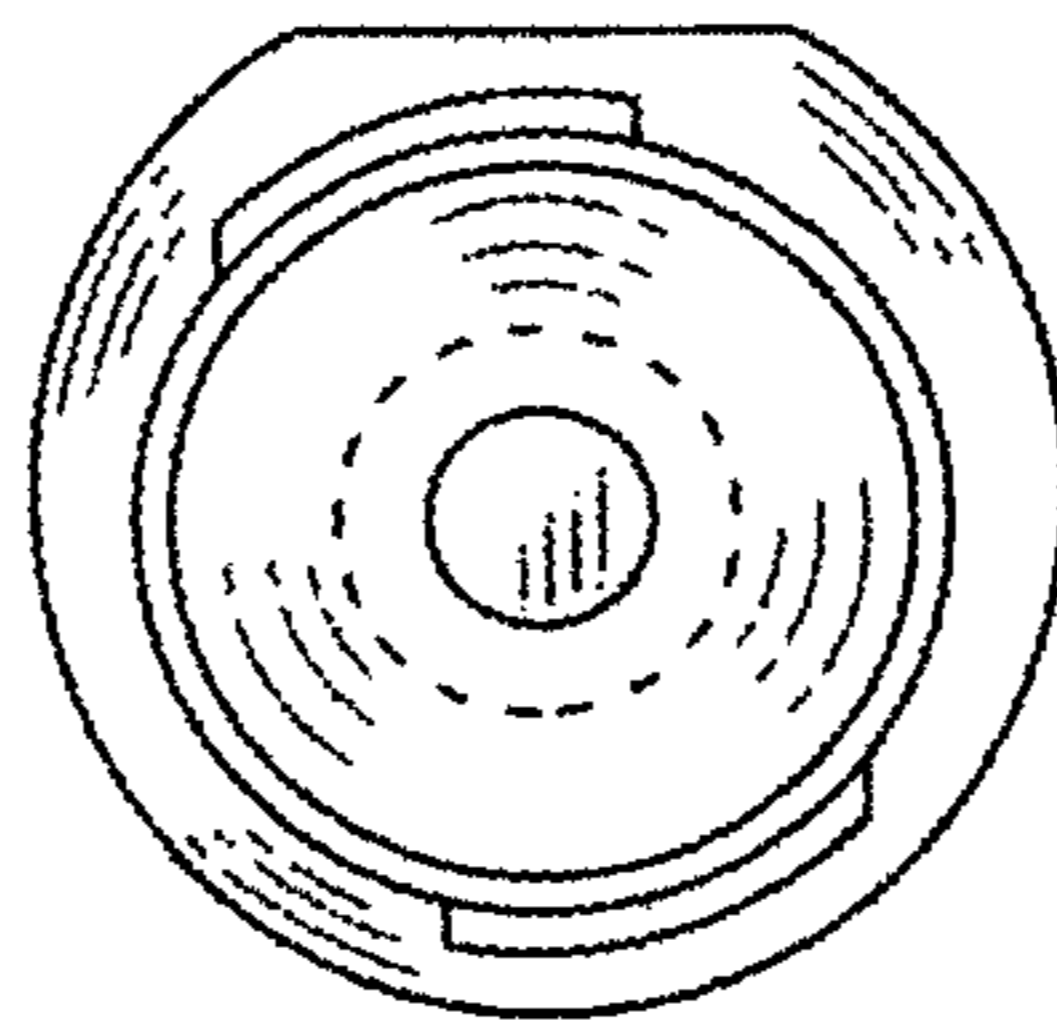


FIG.6

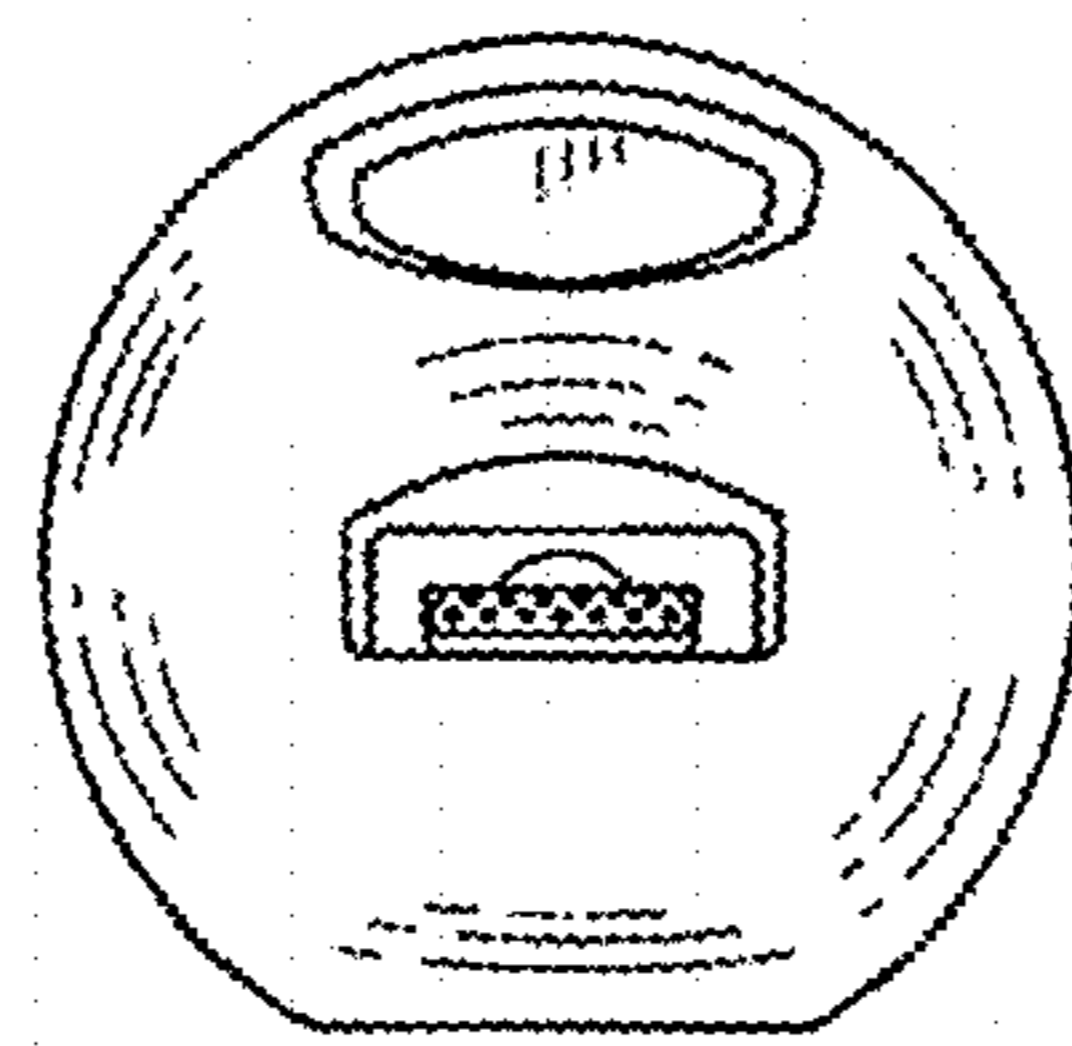


FIG. 7

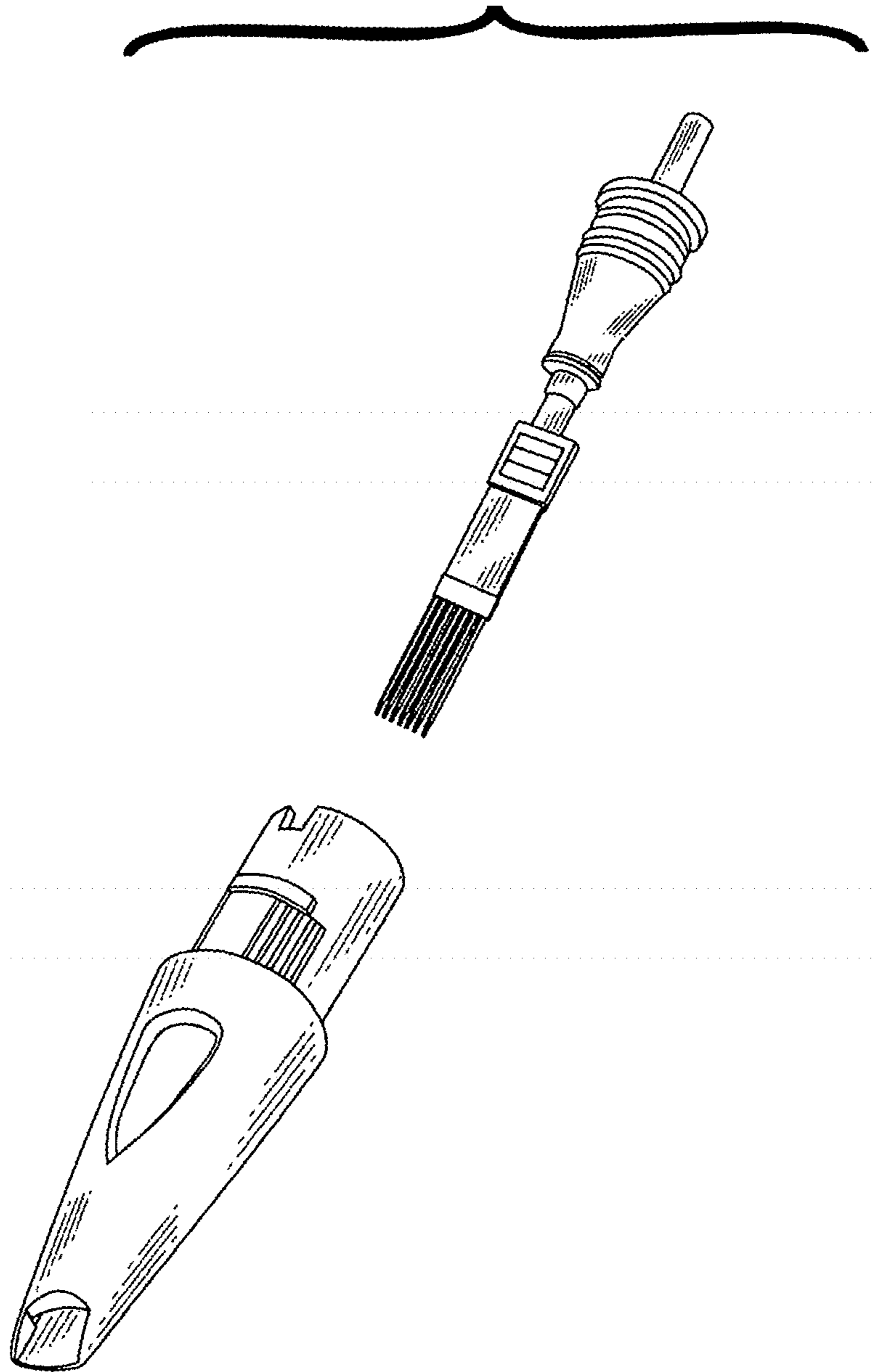


FIG. 8