



US00D925034S

(12) **United States Design Patent** (10) **Patent No.:** **US D925,034 S**
Doubet et al. (45) **Date of Patent:** **** Jul. 13, 2021**

(54) **SYRINGE ADAPTER AND NEEDLE HOLDER FOR MEDICATION**

Primary Examiner — Nathan M Johnston
(74) *Attorney, Agent, or Firm* — Marcia L. Doubet

(71) Applicants: **James T. Doubet**, Parker, CO (US);
Paul D. Doubet, Farmington, IL (US)

(72) Inventors: **James T. Doubet**, Parker, CO (US);
Paul D. Doubet, Farmington, IL (US)

(**) Term: **15 Years**

(21) Appl. No.: **29/731,533**

(22) Filed: **Apr. 15, 2020**

Related U.S. Application Data

(60) Division of application No. 29/715,259, filed on Nov. 29, 2019, now Pat. No. Des. 884,888, which is a
(Continued)

(51) **LOC (13) Cl.** **24-02**

(52) **U.S. Cl.**
USPC **D24/129**

(58) **Field of Classification Search**
USPC D24/127–131, 112–114, 133, 186;
606/181, 185; 604/264, 523–528, 272,
(Continued)

(56) **References Cited**

U.S. PATENT DOCUMENTS

2,752,919 A 7/1956 Gabriel
3,436,828 A 4/1969 Dragan
(Continued)

FOREIGN PATENT DOCUMENTS

EP 1923086 B1 4/2012
WO 2012/023955 A1 2/2012
WO 2017/091643 A1 6/2017

OTHER PUBLICATIONS

“List of Patents and/or Patent Applications to be Treated As Related”.
Dec. 19, 2020. 2 pages.

(57) **CLAIM**

We claim the ornamental design for syringe adapter and needle holder for medication, as shown and described.

DESCRIPTION

FIG. 1 is a perspective view of a syringe adapter and a needle holder, showing our new design (as connected), where the syringe adapter has a cylindrical element and the needle holder includes a hexagonal element and a cylindrical element;

FIG. 2 is a front view thereof, the back view being identical thereto;

FIG. 3 is a top view thereof, the bottom view being identical thereto;

FIG. 4 is a left-side view thereof;

FIG. 5 is a right-side view thereof;

FIG. 6 is a cross-sectional view thereof, along 6-6 in FIG. 3; FIG. 7 is a perspective view of the embodiment of FIG. 1, where the two pieces are shown as separated from each other for ease of illustration;

FIG. 8 is a perspective view of the syringe adapter of FIG. 1;

FIG. 9 is a front view thereof, the back view, the top view, and the bottom view being identical thereto;

FIG. 10 is a left-side view thereof;

FIG. 11 is a right-side view thereof;

FIG. 12 is a perspective view of the needle holder of FIG. 1, shown separately for ease of illustration;

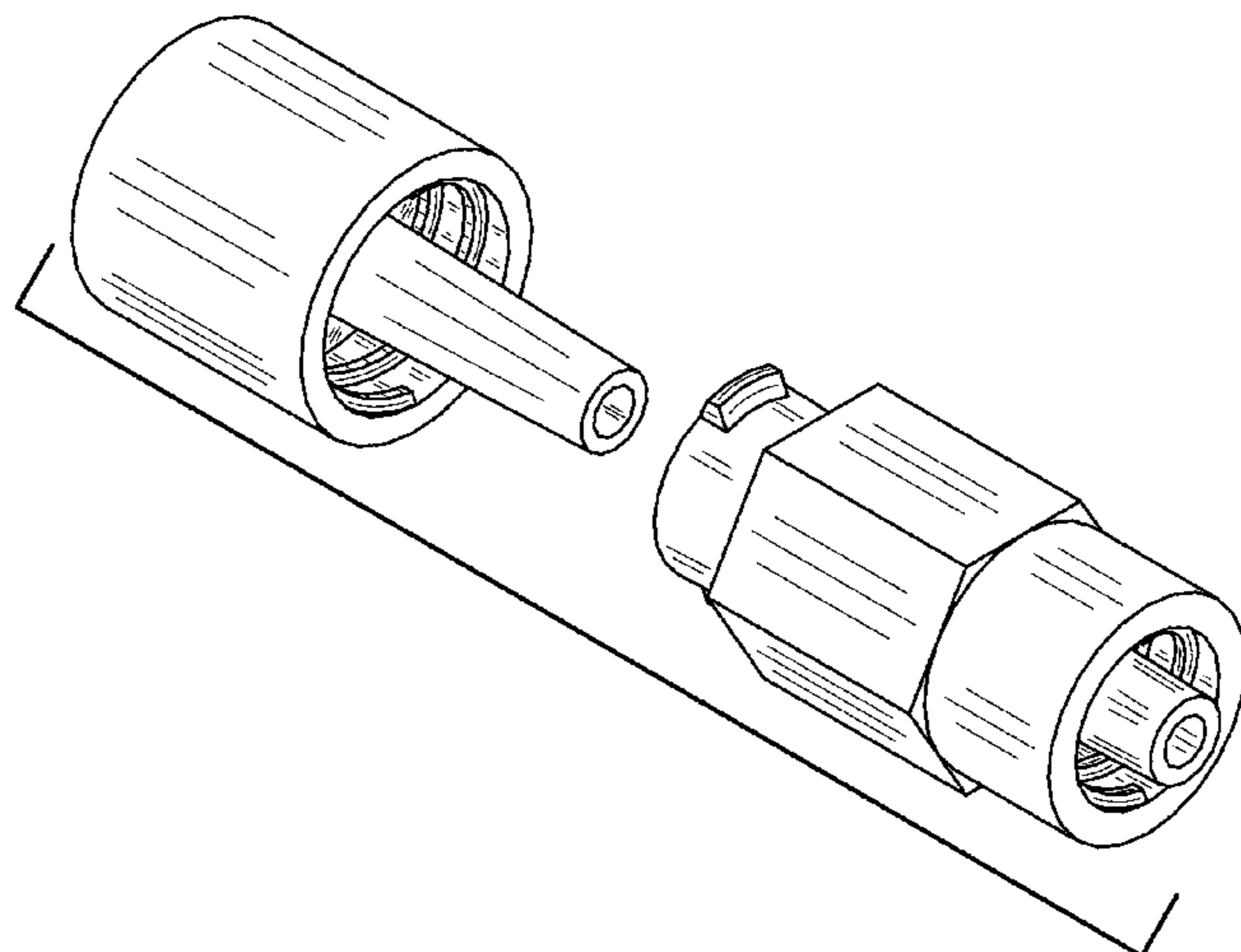
FIG. 13 is a front view thereof, the back view being identical thereto;

FIG. 14 is a top view thereof, the bottom view being identical thereto;

FIG. 15 is a left-side view thereof; and,

FIG. 16 is a right-side view thereof.

1 Claim, 6 Drawing Sheets



Related U.S. Application Data

continuation-in-part of application No. 16/203,858, filed on Nov. 29, 2018, which is a continuation-in-part of application No. 16/166,111, filed on Oct. 21, 2018, which is a continuation-in-part of application No. 16/010,155, filed on Jun. 15, 2018, application No. 29/731,533, filed on Apr. 15, 2020, which is a division of application No. 29/715,259, which is a continuation-in-part of application No. 16/698,471, filed on Nov. 27, 2019, now Pat. No. 10,709,850, which is a continuation-in-part of application No. 16/203,858, which is a continuation-in-part of application No. 16/166,111, which is a continuation-in-part of application No. 16/010,155.

(58) **Field of Classification Search**

USPC 604/187, 158, 164.01–164.11, 181, 184, 604/227; 600/101, 139, 143; 128/200.24, 207.14, 207.15

CPC A61J 1/2096; A61J 1/2048; A61J 1/1487; A61D 7/00; A61M 5/00

See application file for complete search history.

(56) **References Cited**

U.S. PATENT DOCUMENTS

3,958,570 A 5/1976 Vogelman et al.
 4,046,145 A 9/1977 Choksi et al.
 4,294,250 A 10/1981 Dennehey
 4,316,462 A 2/1982 Baker
 4,338,925 A 7/1982 Miller
 4,472,141 A 9/1984 Dragan
 4,664,655 A 5/1987 Orentreich et al.
 4,758,158 A 7/1988 Pierce et al.
 4,758,234 A 7/1988 Orentreich et al.
 D297,262 S 8/1988 Sternweiler
 D297,365 S 8/1988 Barnett
 4,852,584 A 8/1989 Selby
 D310,722 S 9/1990 Broden
 D315,583 S * 3/1991 Larson D21/662
 D320,082 S 9/1991 Wyatt et al.
 5,047,021 A 9/1991 Utterberg
 5,195,985 A 3/1993 Hall
 D338,531 S 8/1993 Howell
 5,322,510 A 6/1994 Lindner et al.
 D358,882 S * 5/1995 Metz D24/105
 D368,304 S * 3/1996 Morrison D23/262
 D380,037 S * 6/1997 Grantham D23/262
 D381,425 S * 7/1997 Cesarini D24/146
 D382,639 S 8/1997 Musgrave et al.
 5,733,258 A 3/1998 Lane
 5,746,733 A 5/1998 Capaccio et al.
 D395,502 S * 6/1998 Deily D24/112
 D413,967 S * 9/1999 Yuen D23/262
 6,117,113 A 9/2000 Novacek et al.
 D435,652 S 12/2000 Nazarifar et al.
 6,511,472 B1 1/2003 Hayman et al.
 D473,305 S * 4/2003 Halseth D24/129
 D473,646 S 4/2003 Baillargeon et al.
 D474,839 S * 5/2003 Francavilla D24/129
 D484,593 S 12/2003 Baillargeon et al.

D485,616 S * 1/2004 Baillargeon D24/129
 6,787,568 B1 9/2004 Mihalik
 6,790,867 B2 9/2004 Kohan et al.
 6,981,618 B2 1/2006 Reisinger
 D517,667 S * 3/2006 Sener D23/262
 D529,603 S 10/2006 Knickerbocker et al.
 7,347,458 B2 3/2008 Rome et al.
 7,472,932 B2 1/2009 Weber et al.
 7,682,343 B2 3/2010 Westbye
 7,699,609 B2 4/2010 Lawter et al.
 D617,429 S 6/2010 Govoni et al.
 8,034,845 B2 10/2011 Freehauf et al.
 8,044,102 B2 10/2011 Kohan et al.
 D671,639 S 11/2012 Trifilio
 D672,052 S 12/2012 Bucher et al.
 D693,923 S 11/2013 Hernandez et al.
 D709,187 S 7/2014 Li
 D714,935 S * 10/2014 Nishioka D24/130
 D716,916 S * 11/2014 Snow D23/262
 8,961,490 B2 2/2015 Musani
 D731,065 S 6/2015 Winter
 D731,647 S * 6/2015 Nishioka D24/130
 D736,915 S * 8/2015 Schultz D24/129
 D739,523 S 9/2015 Booth
 9,295,788 B2 3/2016 Green
 D757,233 S * 5/2016 Vaz D23/262
 D760,376 S * 6/2016 Korneliussen D24/110
 D773,659 S 12/2016 Cain
 D777,888 S * 1/2017 Vaz D23/262
 D799,032 S * 10/2017 Becker D24/129
 D811,586 S 2/2018 Bureau
 D816,211 S * 4/2018 Guala D24/110.6
 D818,580 S * 5/2018 Khabiri D24/128
 D825,737 S 8/2018 Yokoyama
 D831,202 S 10/2018 Ratner
 D841,499 S * 2/2019 Drewes D10/81
 D851,240 S 6/2019 Baid
 D851,759 S * 6/2019 Jones D24/129
 D865,954 S * 11/2019 Mottola D24/129
 D873,997 S 1/2020 Ljunglof et al.
 D884,888 S 5/2020 Doubet et al.
 D890,025 S 7/2020 Doubet et al.
 10,709,850 B2 7/2020 Doubet et al.
 2002/0099360 A1 7/2002 Bierman
 2002/0133124 A1 * 9/2002 Leinsing A61M 39/26
 604/256
 2002/0173753 A1 11/2002 Caizza et al.
 2003/0236501 A1 12/2003 Donnan et al.
 2004/0068266 A1 4/2004 Delmotte
 2006/0270996 A1 11/2006 Fojtik
 2007/0060898 A1 3/2007 Shaughnessy et al.
 2007/0203451 A1 8/2007 Murakami et al.
 2008/0188816 A1 8/2008 Shimazaki et al.
 2008/0287884 A1 11/2008 Warden et al.
 2009/0182284 A1 7/2009 Morgan
 2009/0227894 A1 9/2009 Fojtik
 2010/0249650 A1 * 9/2010 Hikawa A61B 5/15113
 600/573
 2011/0028909 A1 2/2011 Lum et al.
 2013/0018354 A1 1/2013 Sund et al.
 2013/0178806 A1 7/2013 Felix-Faure et al.
 2014/0066840 A1 3/2014 Mantell
 2014/0261860 A1 9/2014 Heath et al.

* cited by examiner

FIG. 1

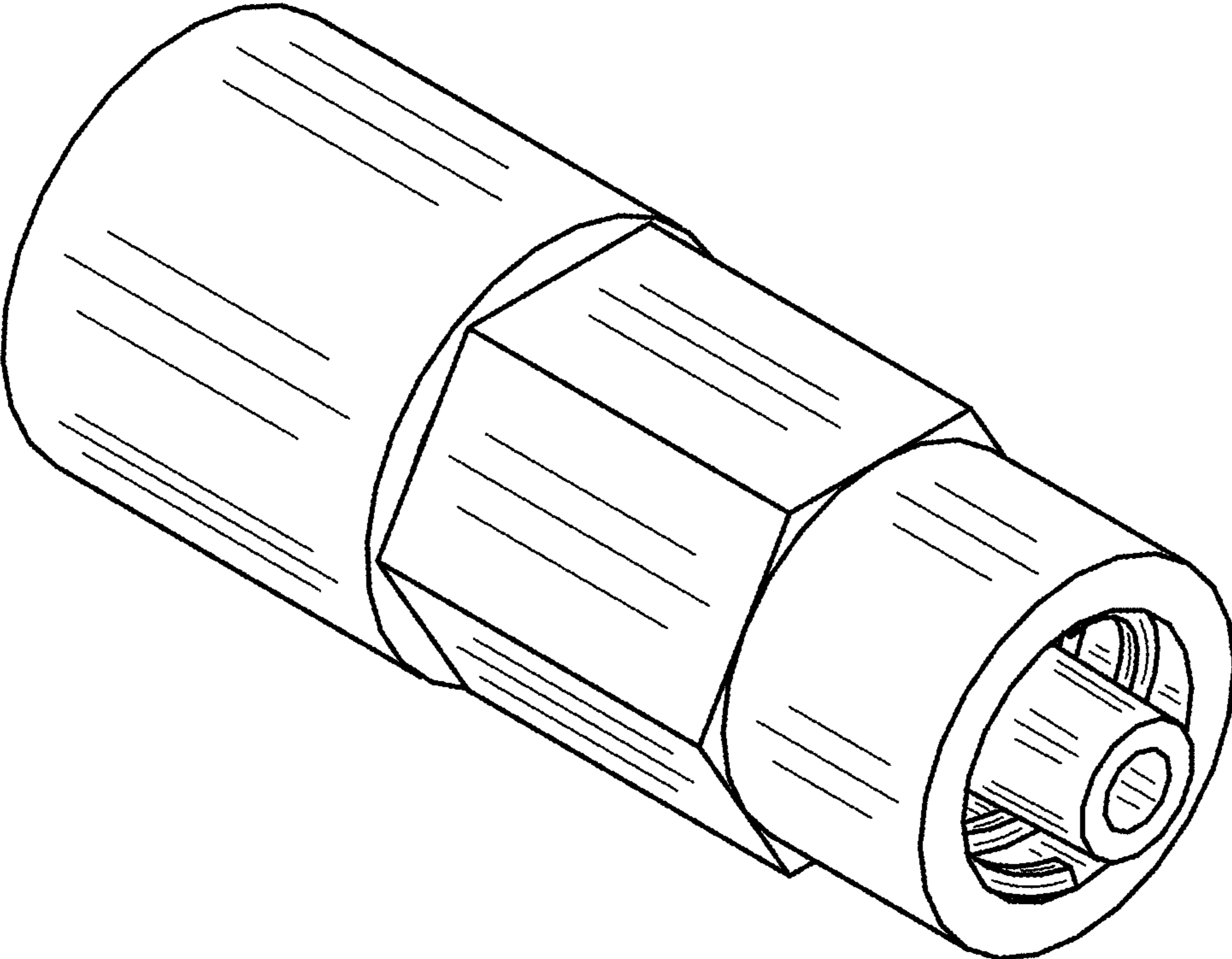


FIG. 2

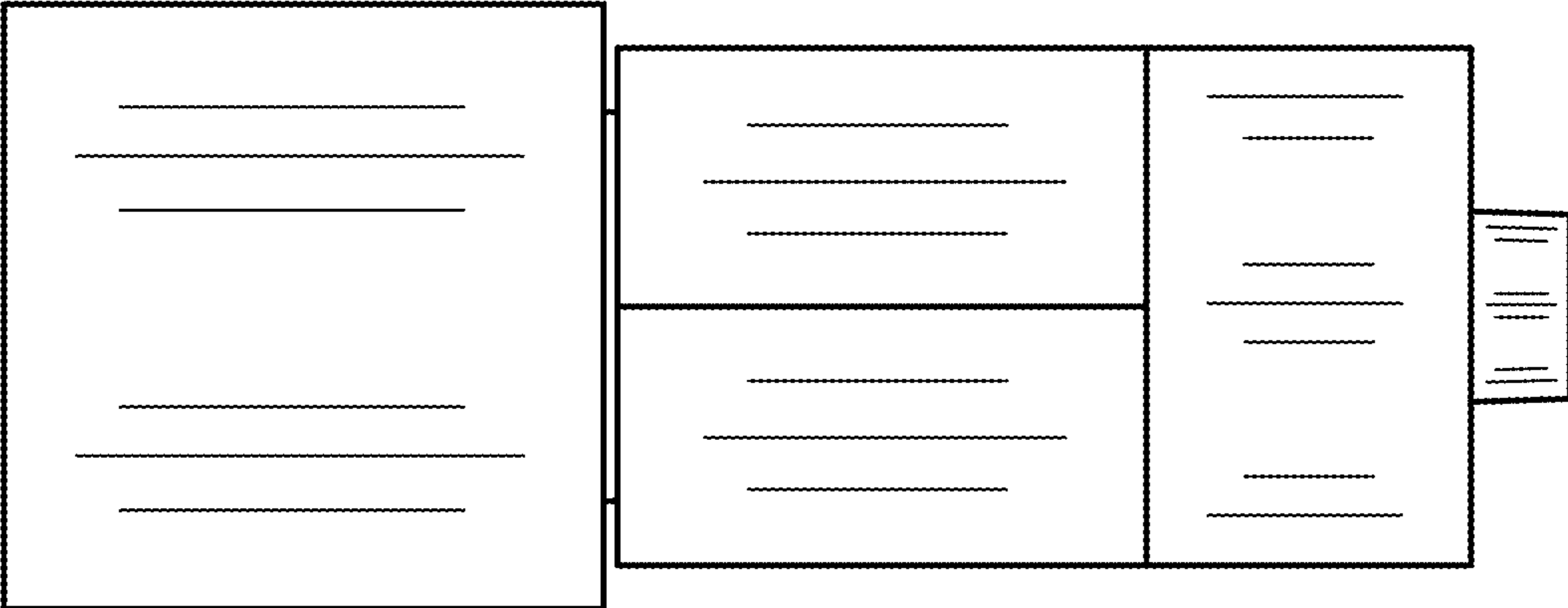


FIG. 3

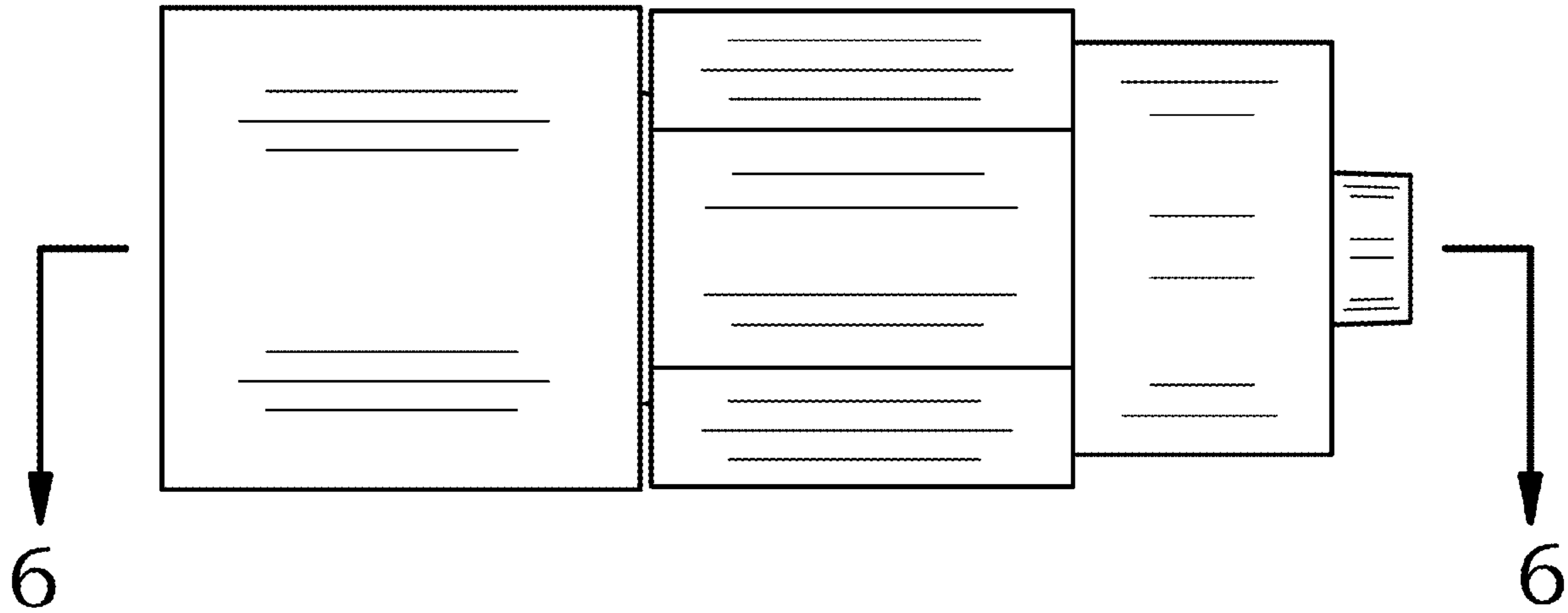


FIG. 4

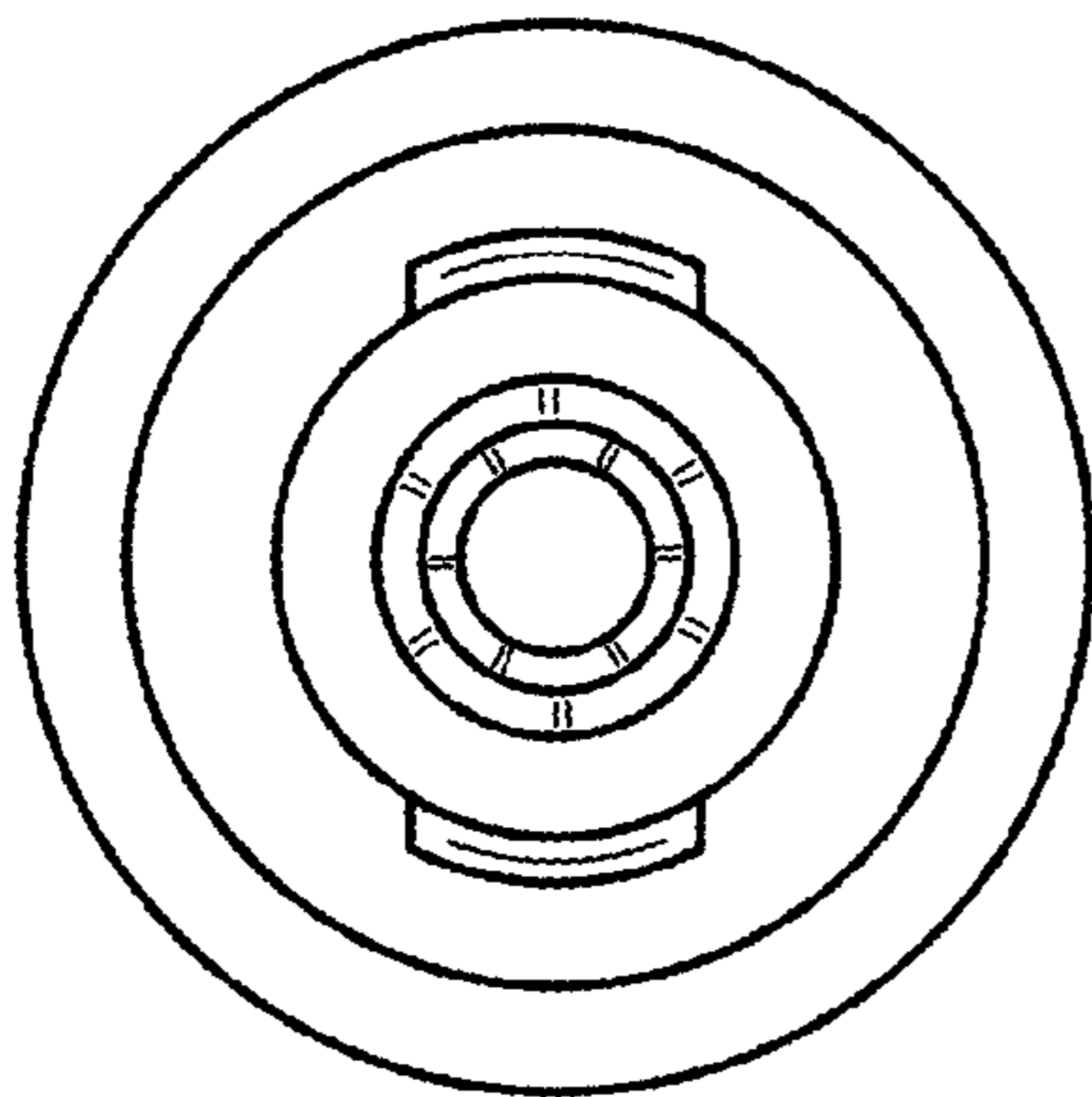


FIG. 5

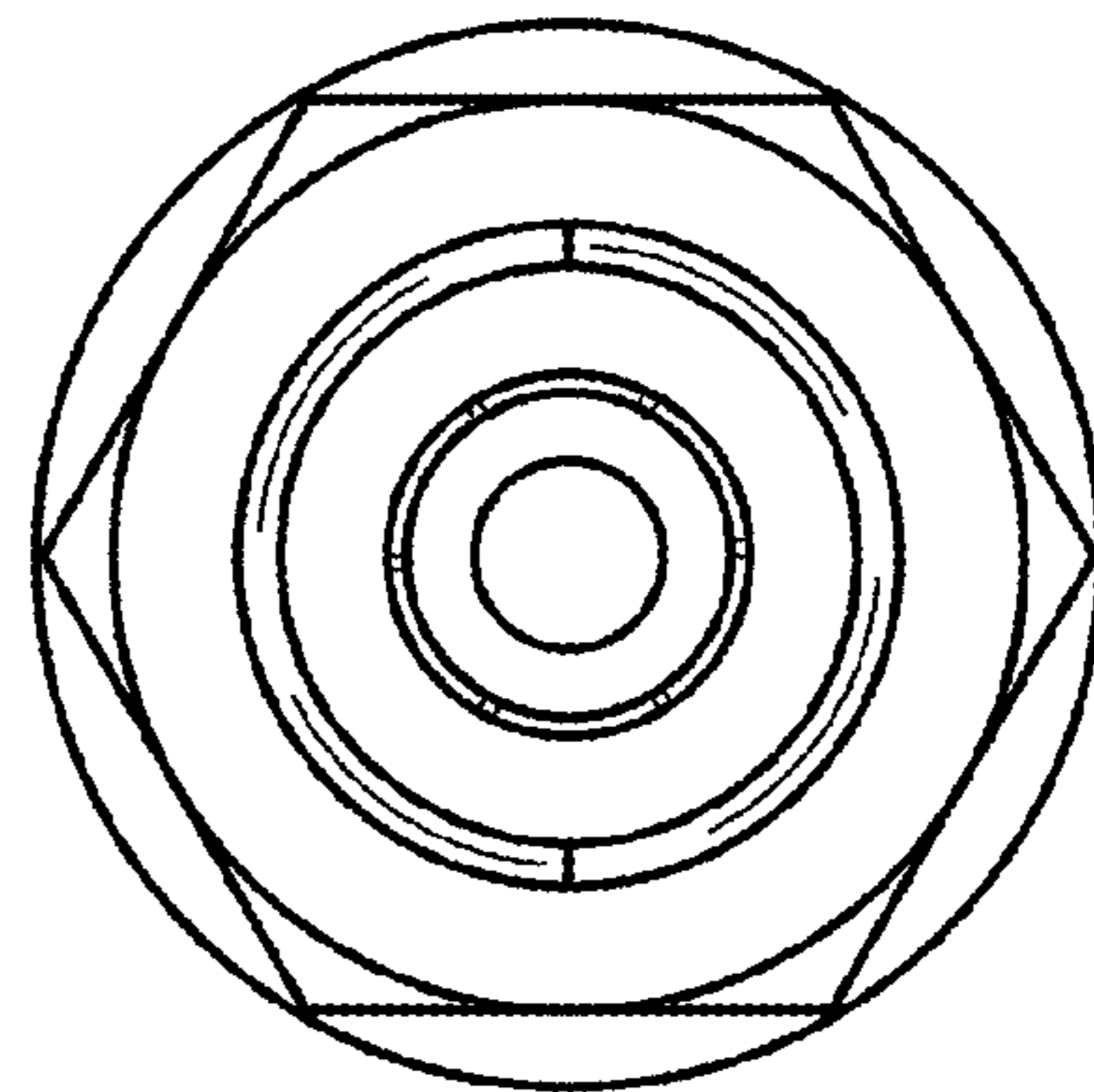


FIG. 6

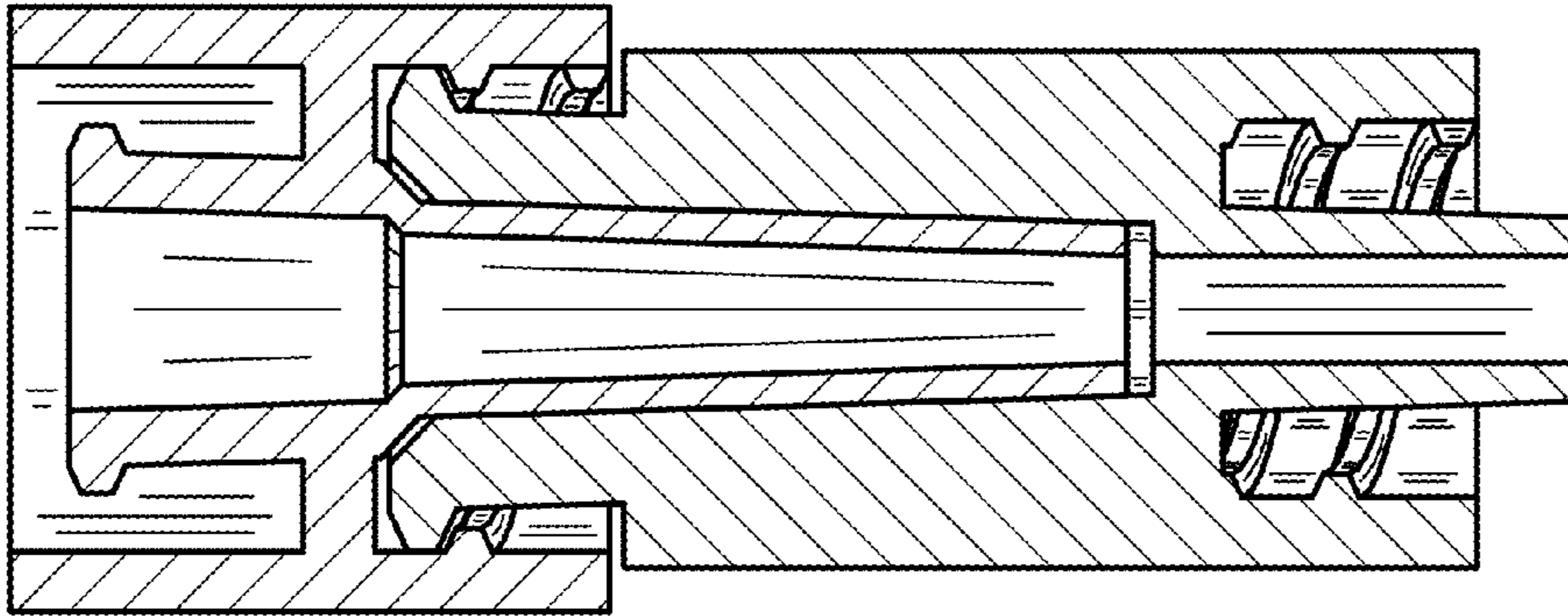


FIG. 7

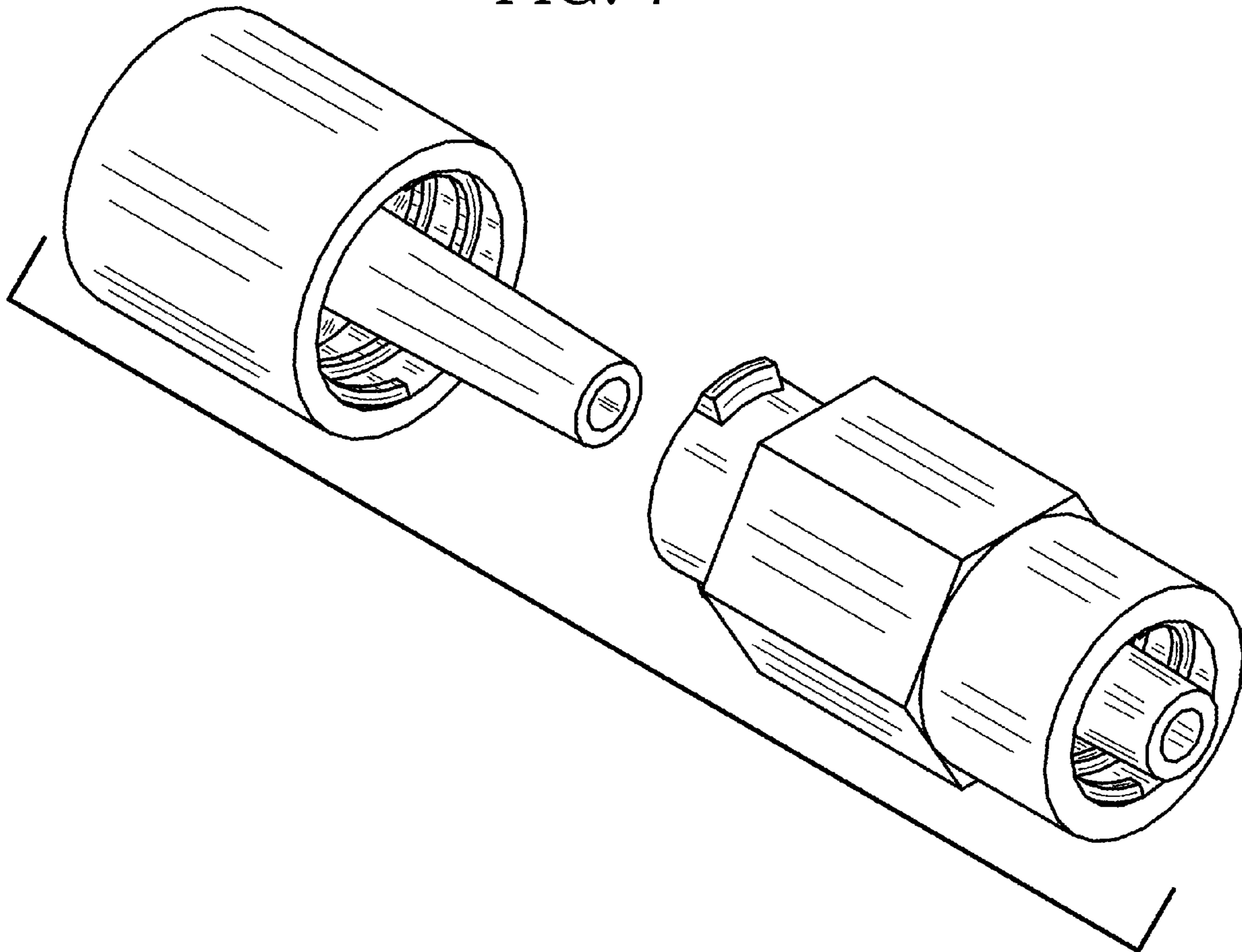


FIG. 8

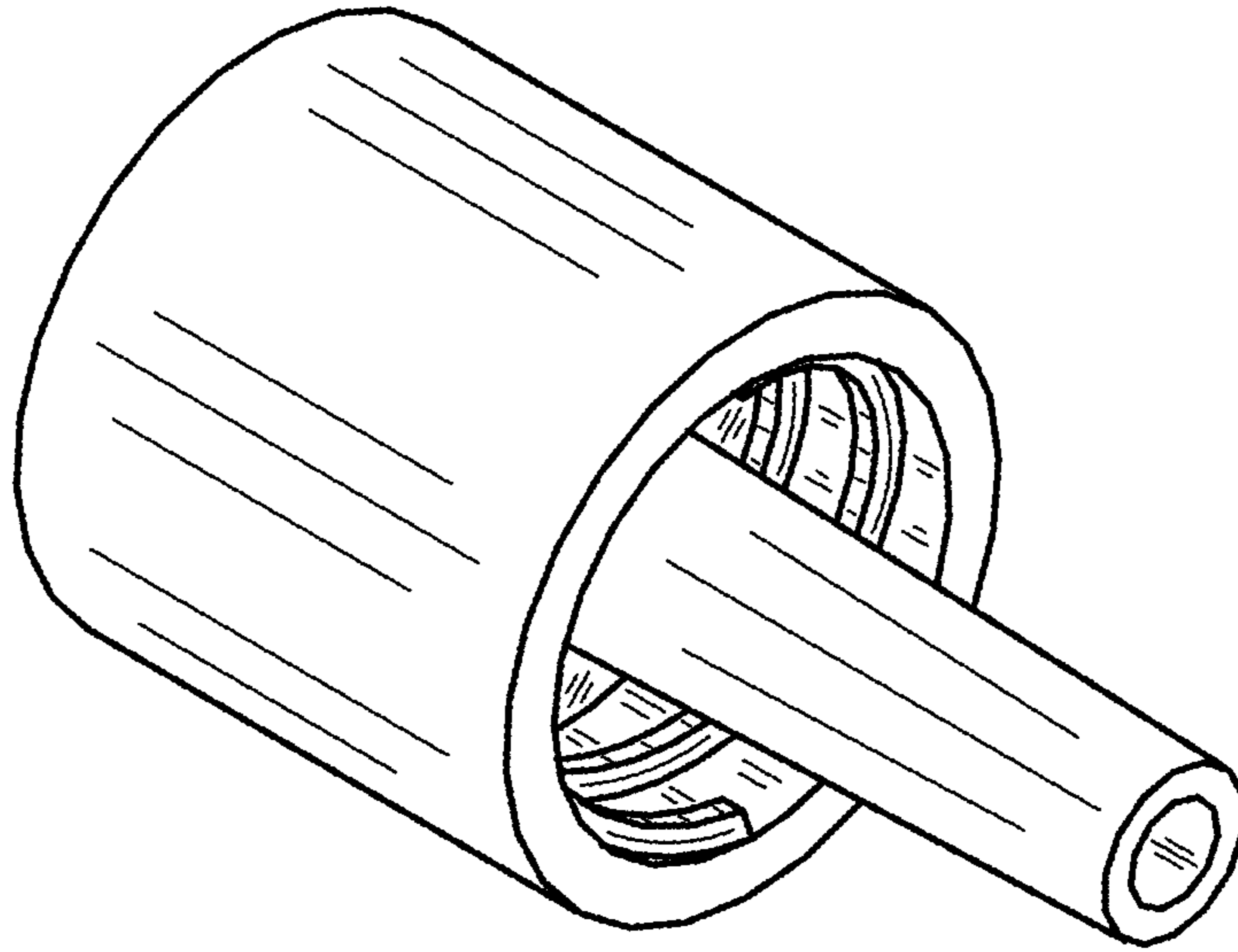


FIG. 9

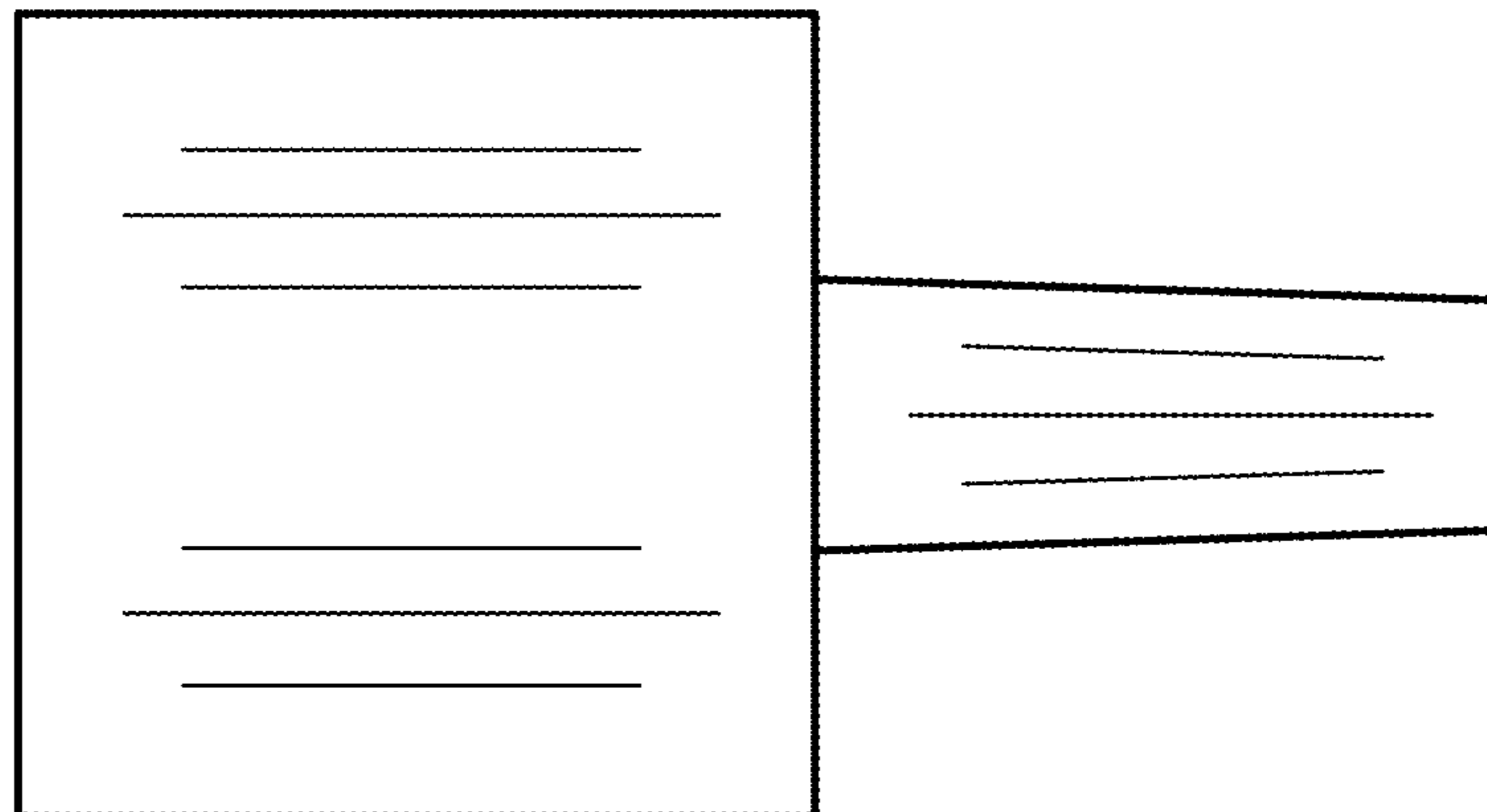


FIG. 10

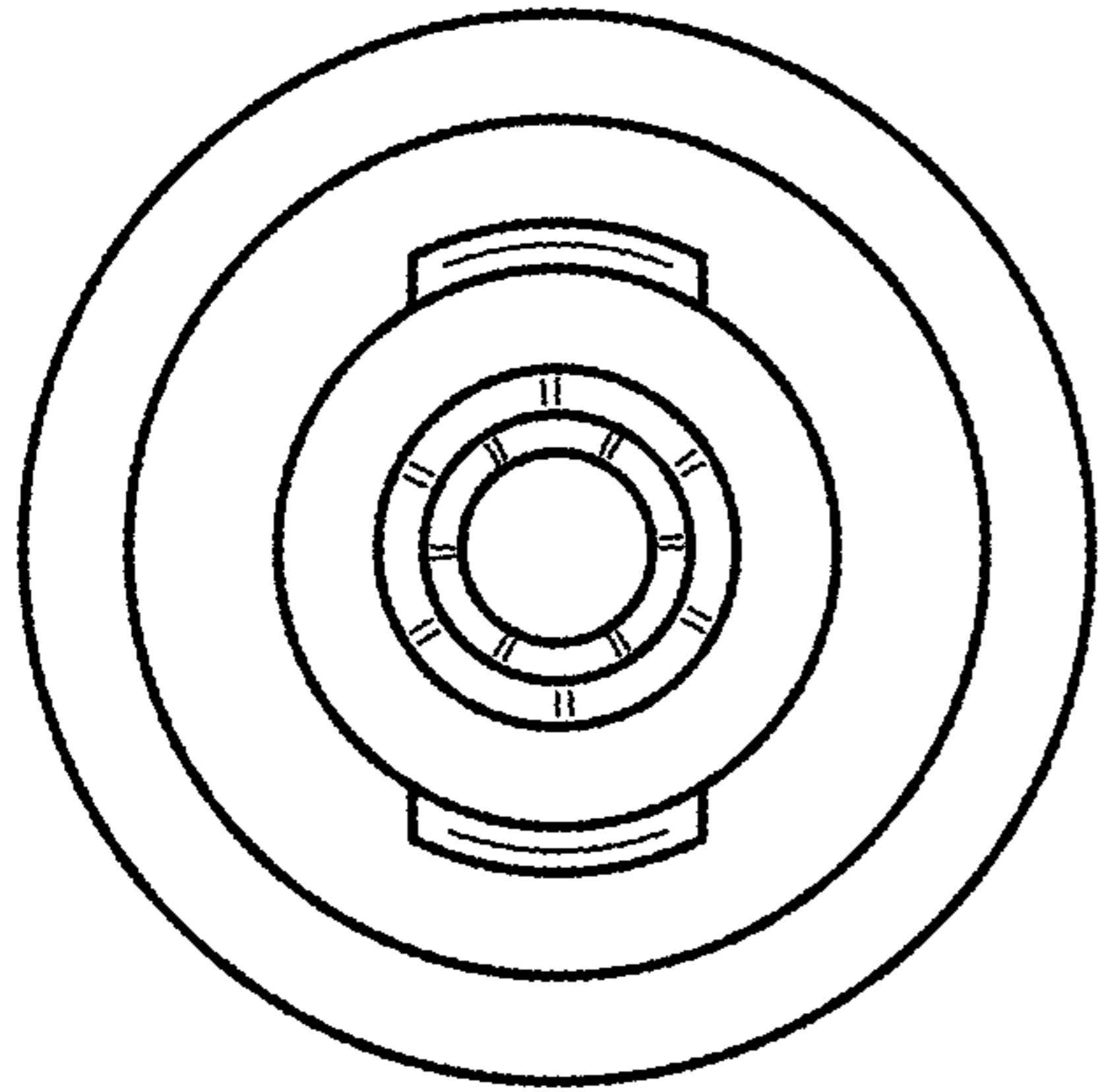


FIG. 11

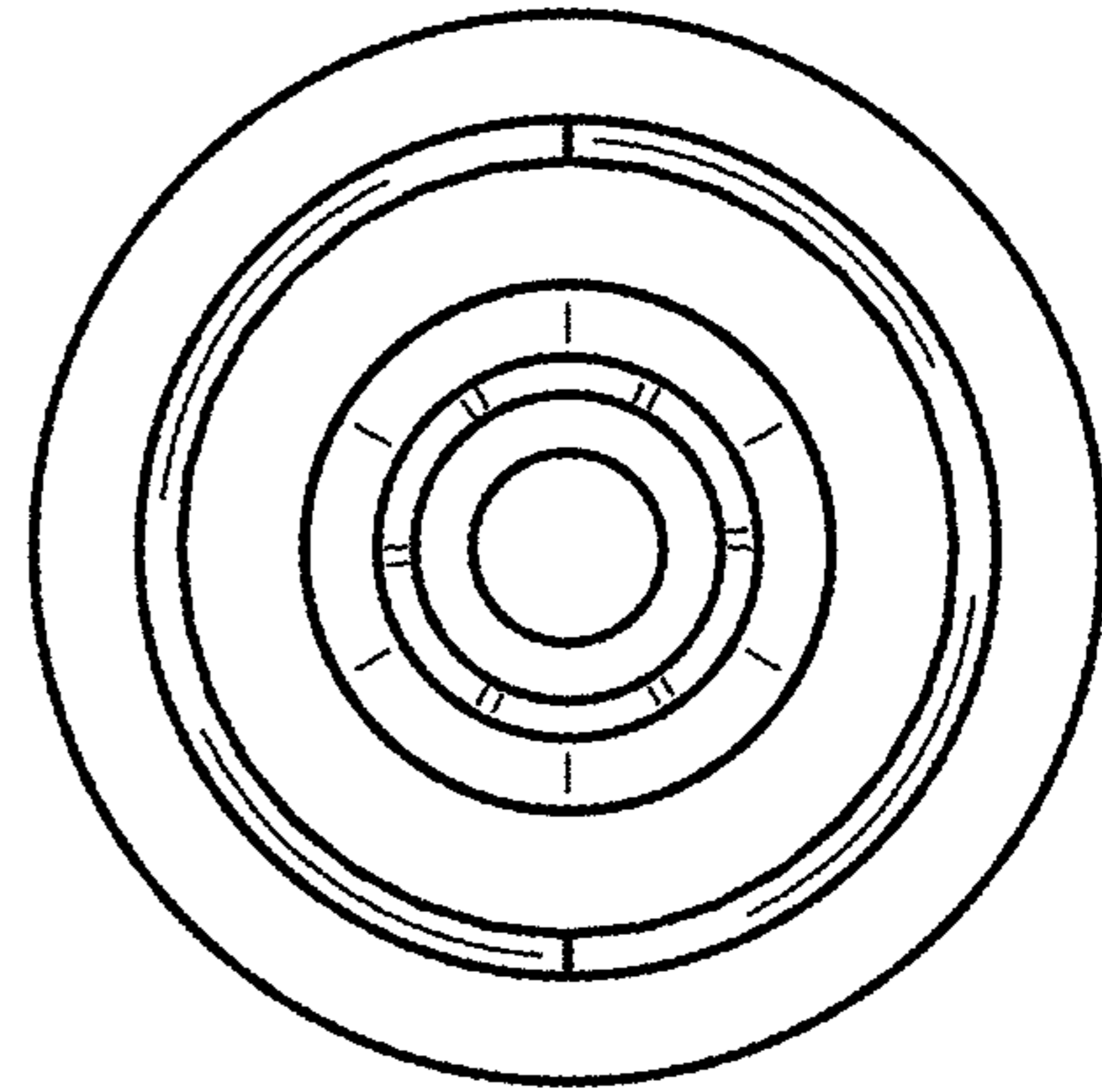


FIG. 12

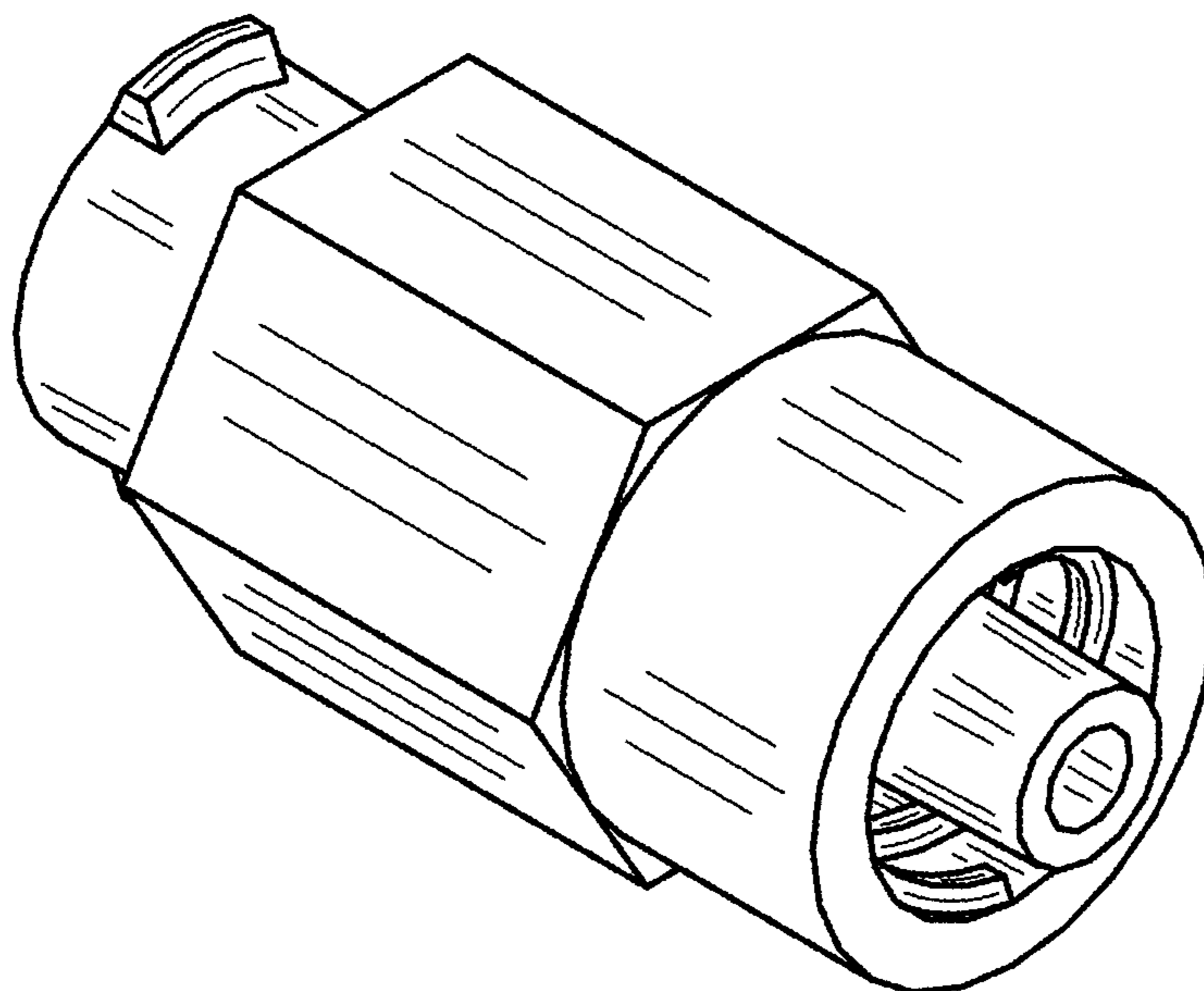


FIG. 13

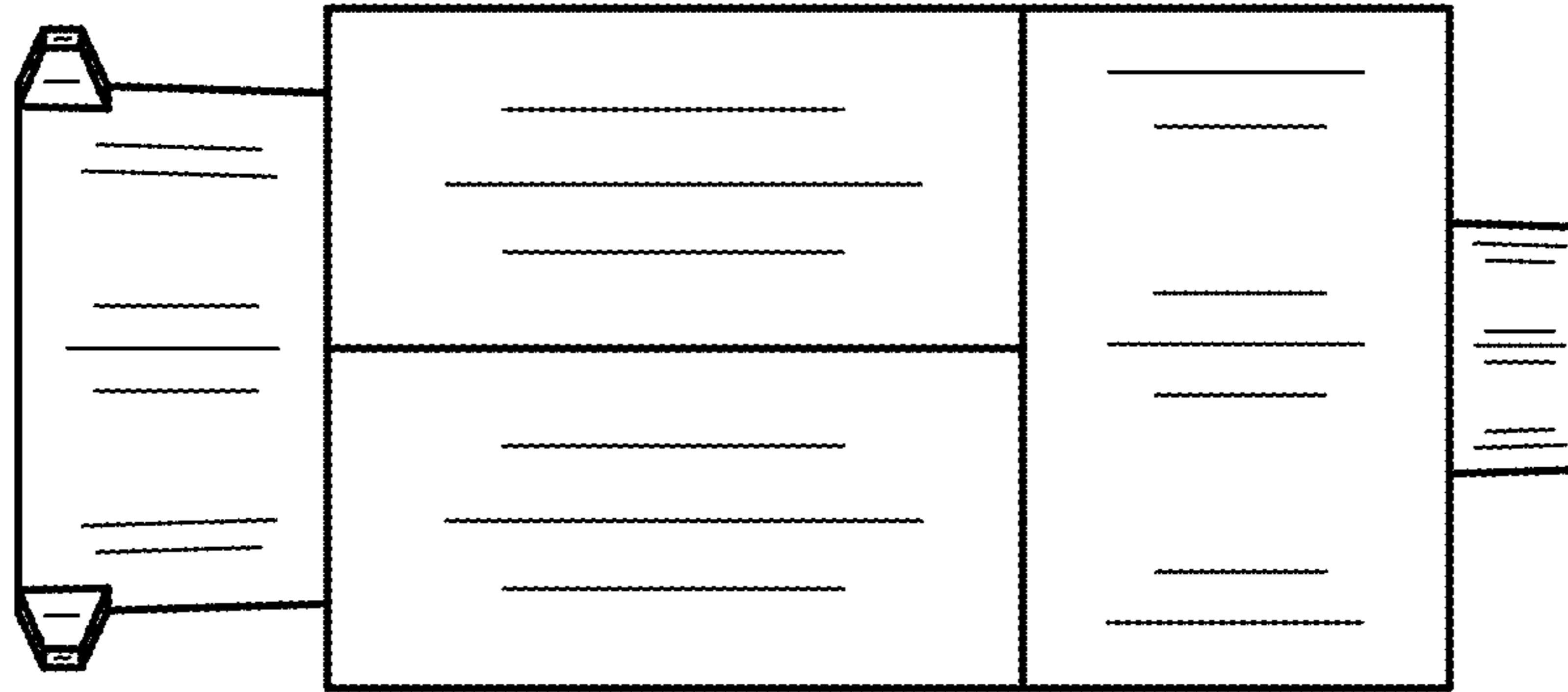


FIG. 14

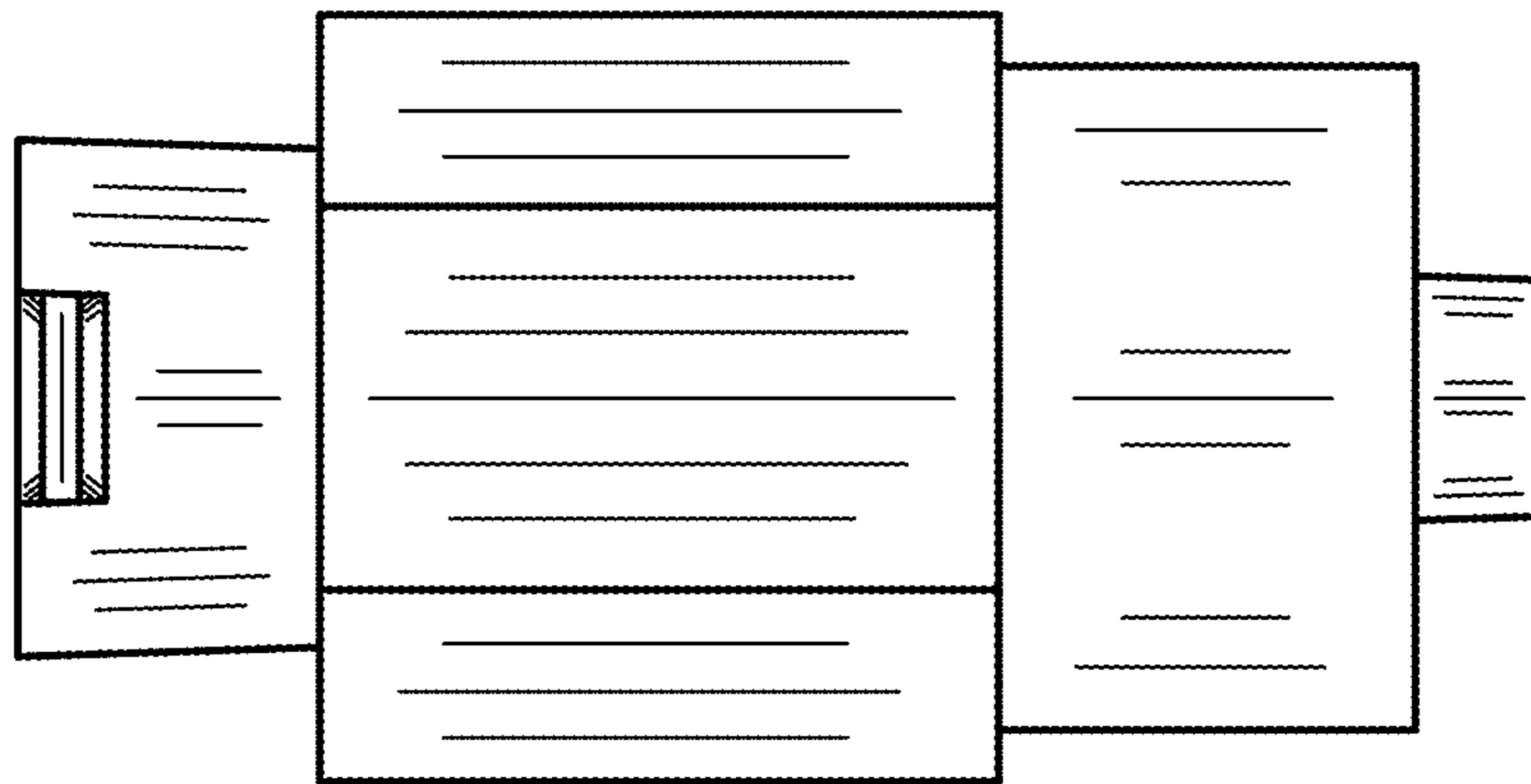


FIG. 15

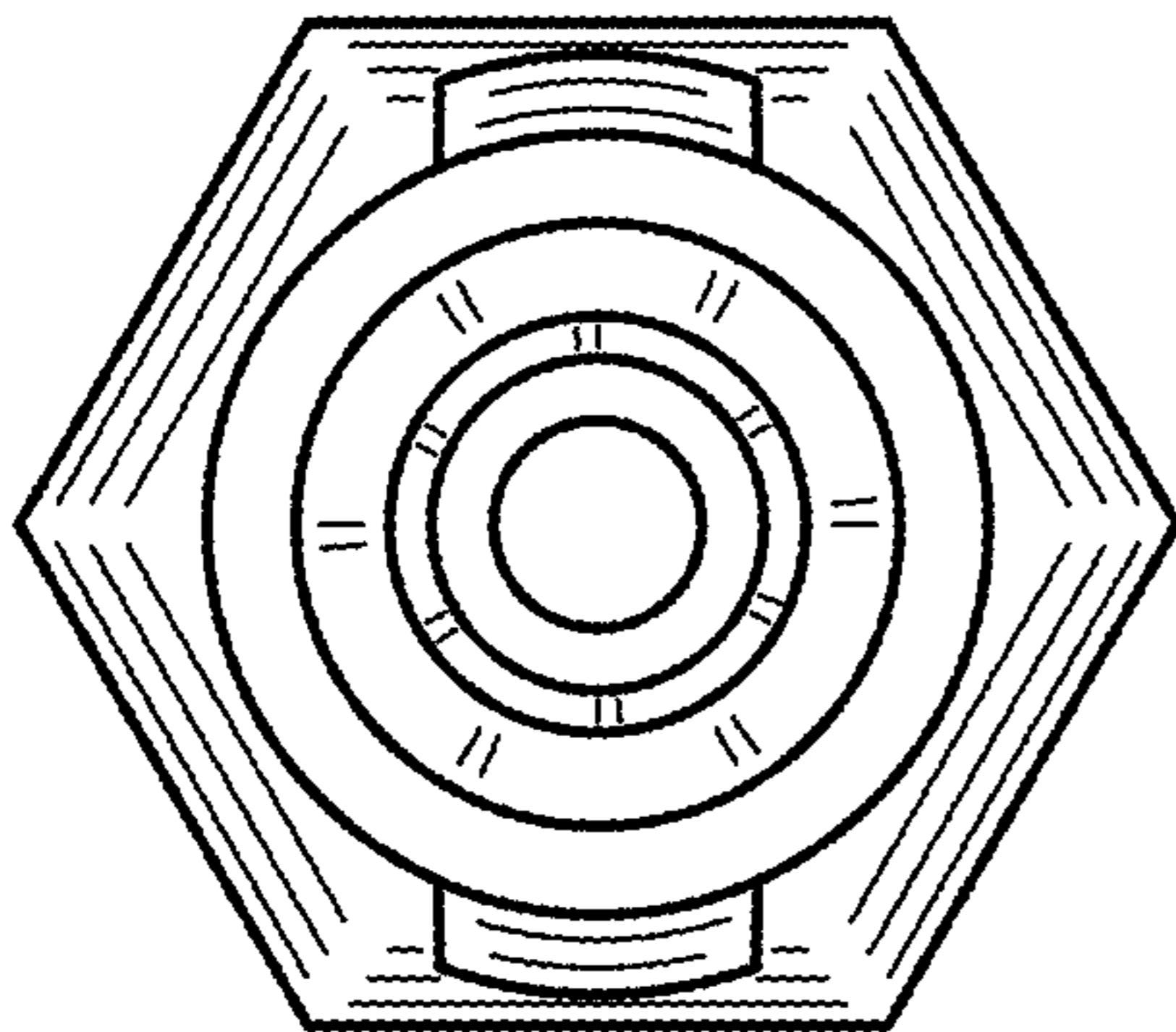


FIG. 16

