



US00D925033S

(12) **United States Design Patent** (10) **Patent No.:** **US D925,033 S**  
**Uridil et al.** (45) **Date of Patent:** **\*\* Jul. 13, 2021**

(54) **VALVE CLIP**

(56) **References Cited**

(71) Applicant: **Medline Industries, Inc.**, Northfield, IL (US)

U.S. PATENT DOCUMENTS

(72) Inventors: **Morgan Uridil**, Evanston, IL (US);  
**Lisa Bauer**, Buffalo Grove, IL (US);  
**Michael Turturro**, Arlington Heights, IL (US)

1,607,053 A	11/1926	Eshton
2,756,740 A	7/1956	Deane
2,760,262 A	8/1956	Homan
2,982,434 A	5/1961	Hidding
3,195,759 A	7/1965	Beacham
3,220,591 A	11/1965	Hidding
3,556,453 A	1/1971	Hall

(Continued)

(73) Assignee: **Medline Industries, Inc.**, Northfield, IL (US)

FOREIGN PATENT DOCUMENTS

(\*\*) Term: **15 Years**

EP	2434635	3/2012
EP	3325044	5/2018

(21) Appl. No.: **29/755,764**

(Continued)

(22) Filed: **Oct. 22, 2020**

OTHER PUBLICATIONS

U.S. Appl. No. 16/458,900, filed Jul. 1, 2019, entitled "Feeding Set and Enteral Feeding Pump Assembly".

(Continued)

**Related U.S. Application Data**

(62) Division of application No. 29/696,804, filed on Jul. 1, 2019, now Pat. No. Des. 906,516.

(51) **LOC (13) Cl.** ..... **24-02**

(52) **U.S. Cl.**  
USPC ..... **D24/128**

(58) **Field of Classification Search**  
USPC ..... D24/127-131, 112-114, 133, 186;  
606/181, 185; 604/264, 523-528, 272,  
604/187, 158, 164.01-164.11, 181, 184,  
604/227; 600/101, 139, 143;  
128/200.24, 207.14, 207.15

CPC .. F16K 27/041; F16K 31/0613; F16K 11/078;  
F01L 1/3442; F01L 2001/34426; B01D  
35/30; B01D 2201/4092; F16H 61/0009;  
A61M 25/065; A61M 5/42; A61M  
25/0612; A61M 25/00; A61M 39/00;  
A61M 27/00; A61M 25/0043; A61M  
25/0067; A61M 25/0097; A61F 2/958

See application file for complete search history.

*Primary Examiner* — Nathan M Johnston

(74) *Attorney, Agent, or Firm* — Fitch, Even, Tabin & Flannery LLP

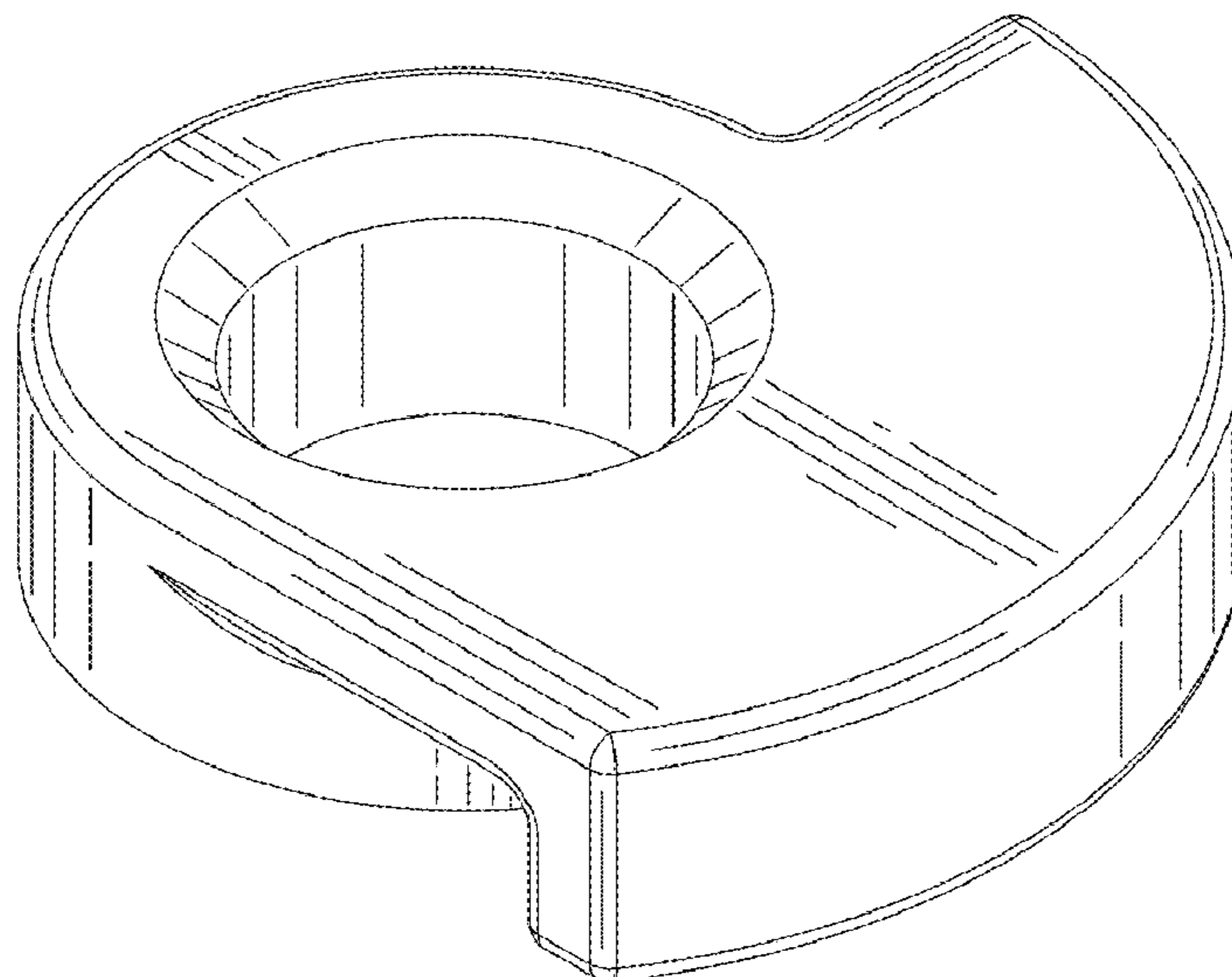
(57) **CLAIM**

The ornamental design for a valve clip, as shown and described.

**DESCRIPTION**

FIG. 1 is a front, top perspective view of a valve clip in accordance with our new design;  
FIG. 2 is a rear, bottom perspective view thereof;  
FIG. 3 is a front elevation view thereof;  
FIG. 4 is a rear elevation view thereof;  
FIG. 5 is a right side elevation view thereof;  
FIG. 6 is a left side elevation view thereof;  
FIG. 7 is a top plan view thereof; and,  
FIG. 8 is a bottom plan view thereof.

**1 Claim, 6 Drawing Sheets**



(56)

References Cited

U.S. PATENT DOCUMENTS

3,630,477 A 12/1971 Stadler  
 3,638,823 A 2/1972 McCoy  
 3,807,679 A 4/1974 Burke  
 4,045,070 A 8/1977 Geisinger  
 4,634,089 A 1/1987 Wright  
 4,930,532 A 6/1990 Mayer  
 5,135,125 A 8/1992 Andel  
 5,174,534 A 12/1992 Mitchell  
 D333,184 S 2/1993 Taylor  
 D334,620 S 4/1993 Taylor  
 D348,384 S \* 7/1994 Karsten ..... D8/363  
 D354,350 S 1/1995 Pryor  
 5,470,037 A 11/1995 Willis  
 5,490,658 A 2/1996 Coward  
 5,514,102 A 5/1996 Winterer  
 5,549,074 A 8/1996 Hui  
 D376,974 S \* 12/1996 Chen ..... 24/274 WB  
 5,647,520 A 7/1997 McDaid  
 5,720,721 A 2/1998 Dumas  
 5,816,553 A \* 10/1998 Brown ..... A47K 10/18  
 248/309.2  
 D404,128 S 1/1999 Huebner  
 5,934,222 A 8/1999 Hwang  
 5,944,697 A 8/1999 Biche  
 D418,916 S 1/2000 Bastable  
 6,129,703 A 10/2000 Beneke  
 D438,618 S 3/2001 Solem  
 6,280,415 B1 8/2001 Johnson  
 6,280,422 B1 8/2001 Sanchez-Browning  
 D450,233 S \* 11/2001 Ward ..... D8/373  
 D450,512 S \* 11/2001 Gottwald ..... D6/524  
 D451,326 S \* 12/2001 Gottwald ..... D6/524  
 6,435,134 B1 8/2002 Ho  
 6,561,129 B1 5/2003 Cheng  
 D475,878 S \* 6/2003 Knable, III ..... D6/552  
 D492,871 S \* 7/2004 Alves ..... D6/552  
 D497,993 S 11/2004 Dixon  
 D502,773 S 3/2005 Abry  
 D506,668 S \* 6/2005 Black ..... D8/354  
 D513,419 S \* 1/2006 Morrison ..... D20/28  
 7,092,797 B2 8/2006 Gaines  
 7,447,566 B2 11/2008 Knauper  
 D583,053 S 12/2008 Zhukauskas  
 7,726,174 B2 6/2010 Riley  
 7,763,005 B2 7/2010 Knauper  
 7,818,992 B2 10/2010 Riley  
 8,021,322 B1 9/2011 Francis  
 D649,641 S \* 11/2011 Guttulrsud ..... D24/143  
 8,142,404 B2 3/2012 Knauper  
 8,177,736 B2 5/2012 Kopperschmidt  
 D663,417 S 7/2012 Meyer  
 8,225,639 B2 7/2012 Riley  
 D669,586 S 10/2012 Meyer  
 D672,037 S 12/2012 Miller  
 8,574,190 B2 11/2013 Francis  
 D707,355 S 6/2014 Bow  
 9,101,712 B2 8/2015 Denis  
 9,402,789 B2 8/2016 Knauper

9,408,968 B2 8/2016 Browne  
 9,424,020 B2 8/2016 Borges  
 D783,814 S \* 4/2017 Hanuka ..... D24/129  
 D789,540 S 6/2017 Gyorgy  
 9,710,610 B2 7/2017 Flynn  
 D796,667 S 9/2017 Manandhar  
 D799,056 S 10/2017 Bourgeois  
 9,820,916 B2 11/2017 Boulanger  
 9,852,263 B2 12/2017 Harr  
 9,871,866 B2 1/2018 Borges  
 D812,456 S \* 3/2018 Nolta ..... D8/373  
 9,909,688 B2 3/2018 Gaines  
 9,974,902 B2 5/2018 Holderle  
 10,215,305 B2 2/2019 Gaines  
 10,219,985 B2 3/2019 Hudson  
 10,227,971 B2 3/2019 Hudson  
 10,293,103 B2 5/2019 Adams  
 10,387,624 B2 8/2019 Jedwab  
 D861,863 S 10/2019 Leonard  
 10,426,709 B2 10/2019 Harr  
 D866,748 S 11/2019 Khabiri  
 2003/0062049 A1 4/2003 Kolobow  
 2005/0165304 A1 7/2005 Albertelli  
 2006/0173412 A1 8/2006 Susi  
 2008/0119822 A1 5/2008 Knauper  
 2009/0139530 A1 6/2009 Landis  
 2010/0057017 A1 3/2010 Pappas  
 2012/0123322 A1 5/2012 Scarpaci  
 2013/0161470 A1 6/2013 Alvares  
 2016/0058673 A1 3/2016 Francis  
 2016/0235630 A1 8/2016 Zijjerdudin  
 2016/0361492 A1 12/2016 Nunez  
 2017/0105903 A1 4/2017 Gallotto  
 2017/0197026 A1 7/2017 Kesselman  
 2018/0207360 A1 7/2018 Juretich  
 2018/0234499 A1 8/2018 Borges  
 2018/0236168 A1 8/2018 Holderle  
 2018/0325373 A1 11/2018 Rodger  
 2019/0142699 A1 5/2019 Hudson  
 2019/0216688 A1 7/2019 Ganter  
 2019/0240397 A1 8/2019 Adams  
 2019/0247643 A1 8/2019 Merchant  
 2019/0358387 A1 11/2019 Elbadry

FOREIGN PATENT DOCUMENTS

WO 2008059495 5/2008  
 WO 2016152238 9/2016  
 WO 2018177765 10/2018  
 WO 2019148900 8/2019

OTHER PUBLICATIONS

U.S. Appl. No. 29/696,798, filed Jul. 1, 2019, entitled "Valve".  
 Medline Industries, Inc., Pictures of Medline EntraFlo Nutrition  
 Delivery System, publicly available Nov. 1, 2018.  
 SideKick Solo, Feeding Tube Stand, <http://sidekicksolo.com/sidekick-solo/>, Accessed on Nov. 6, 2018.

\* cited by examiner

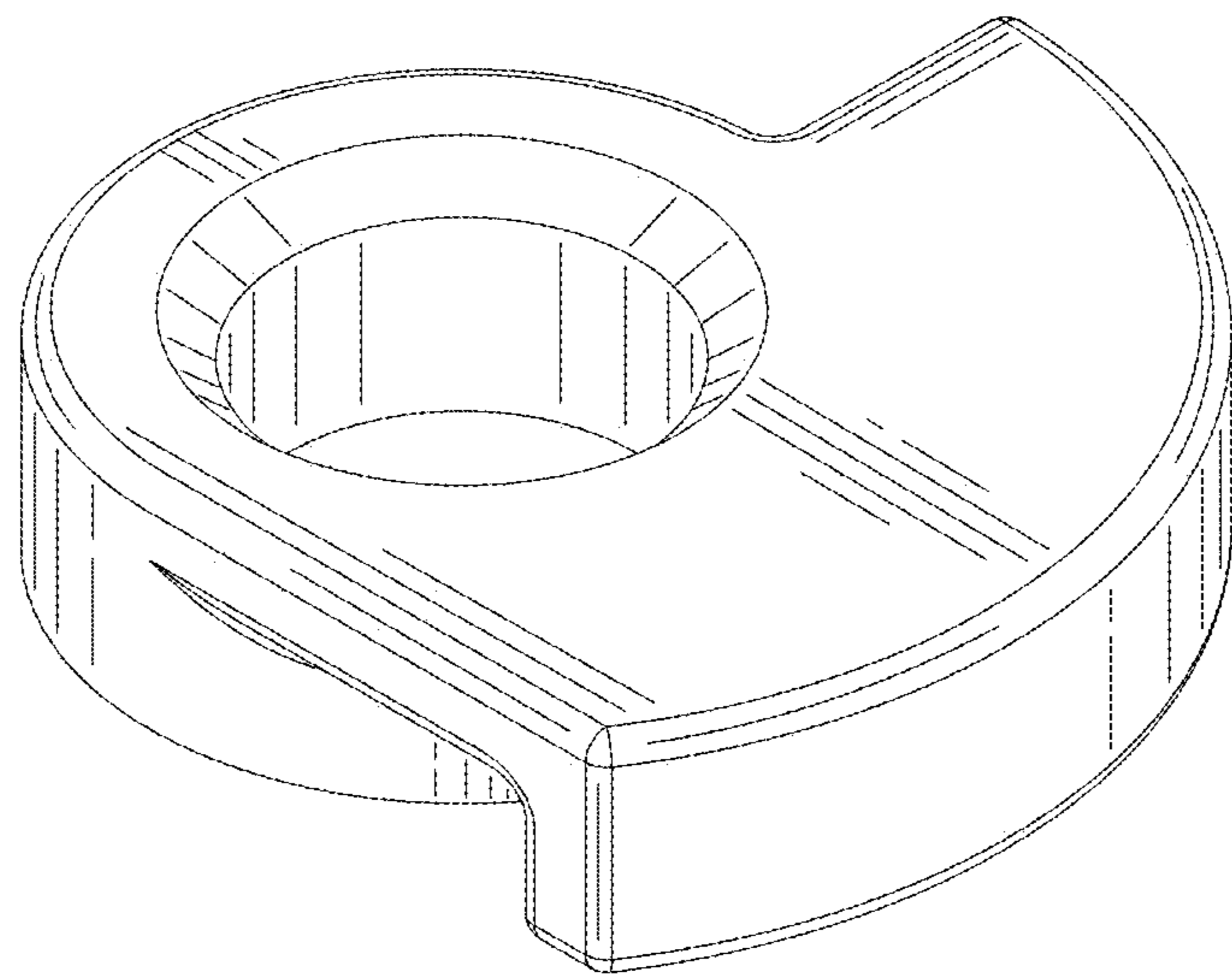


FIG. 1



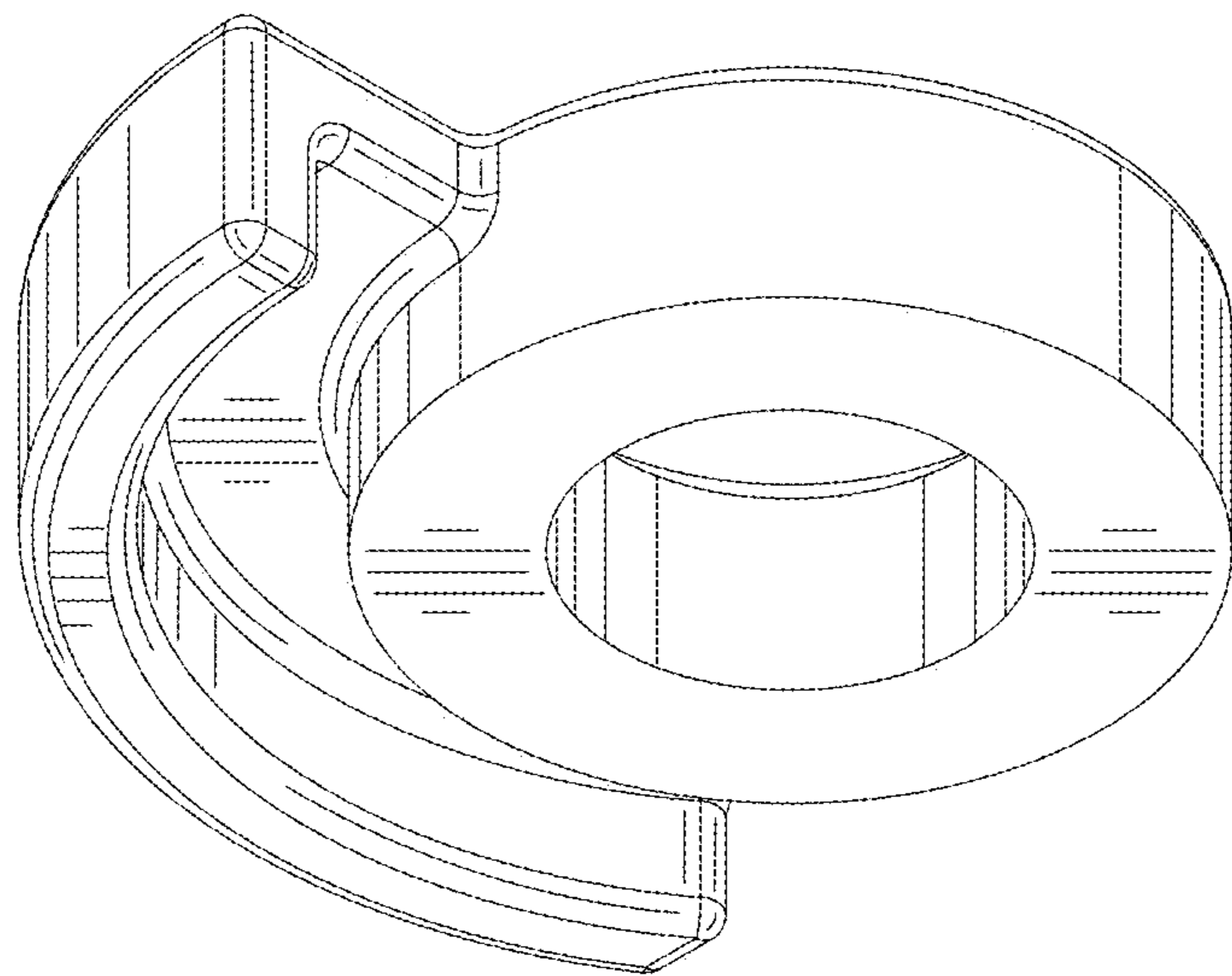


FIG. 2

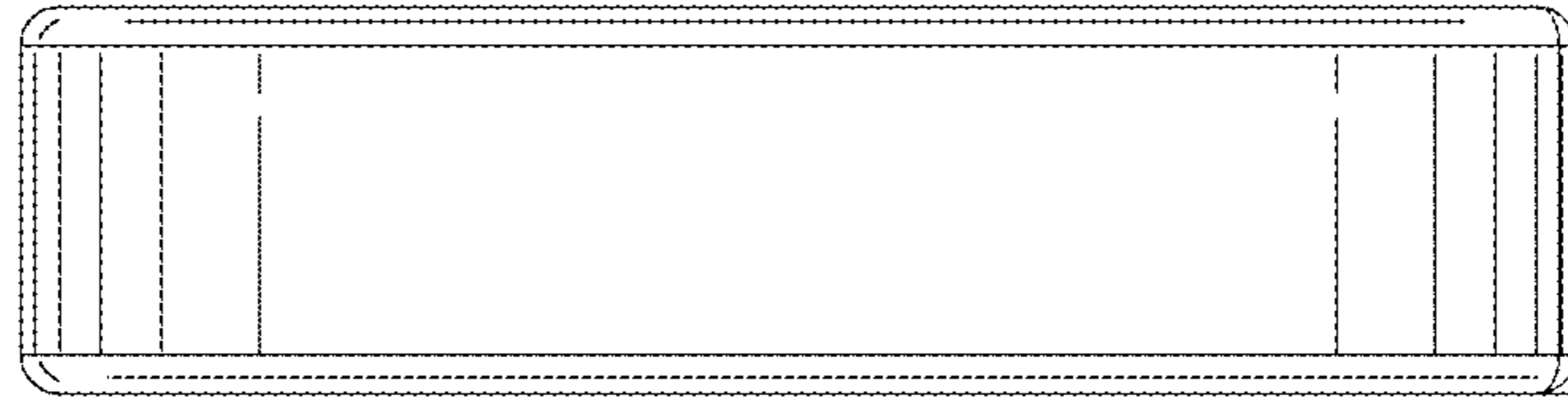


FIG. 3

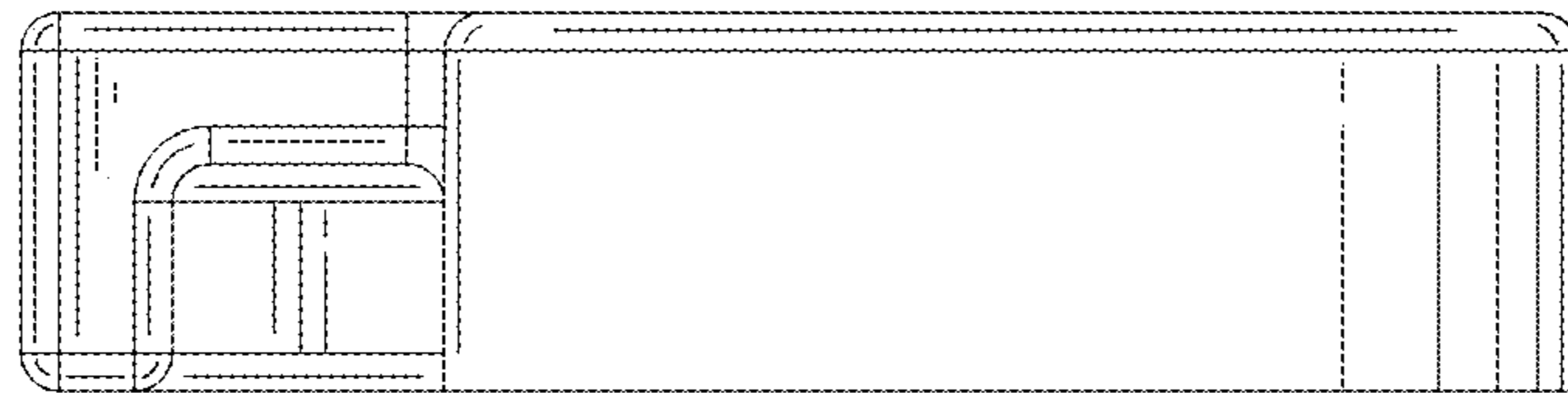


FIG. 4

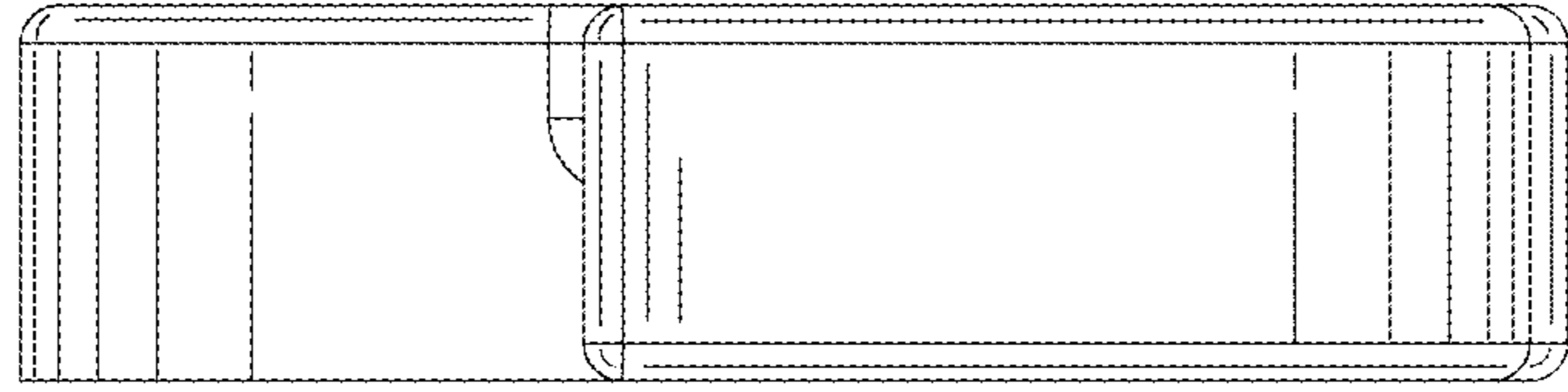


FIG. 5

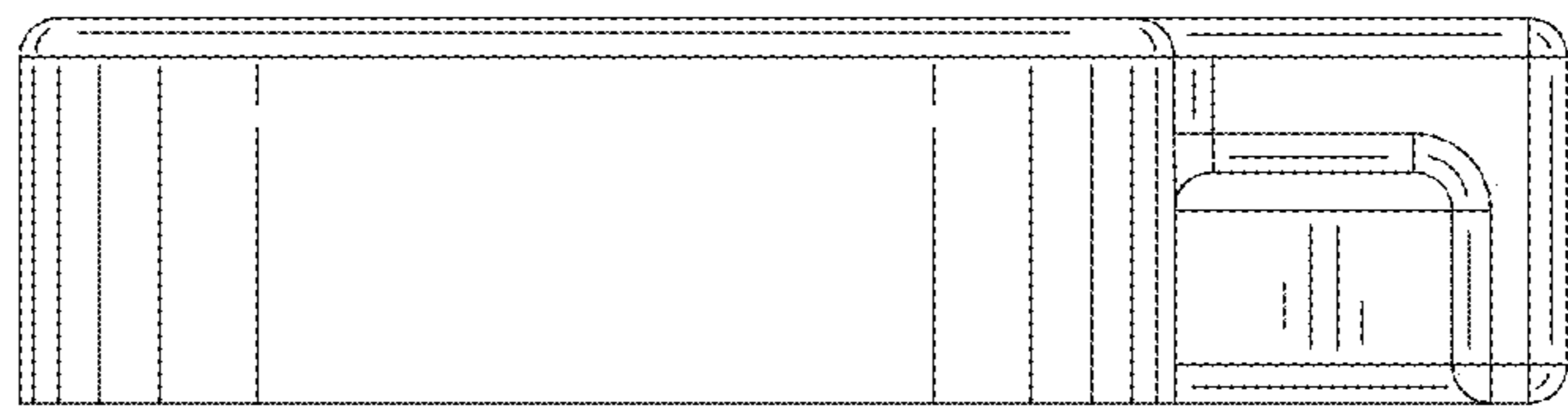


FIG. 6

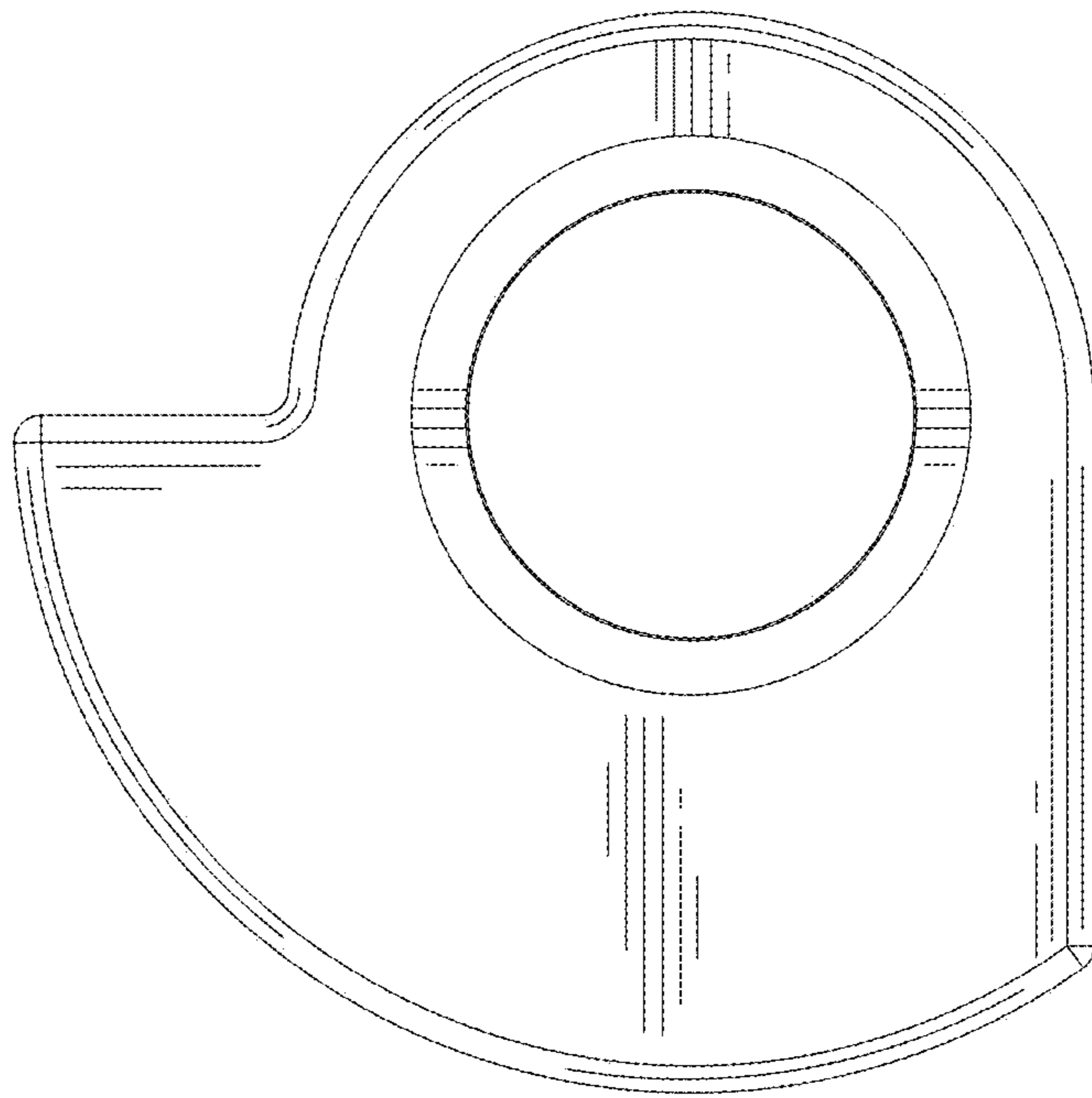


FIG. 7

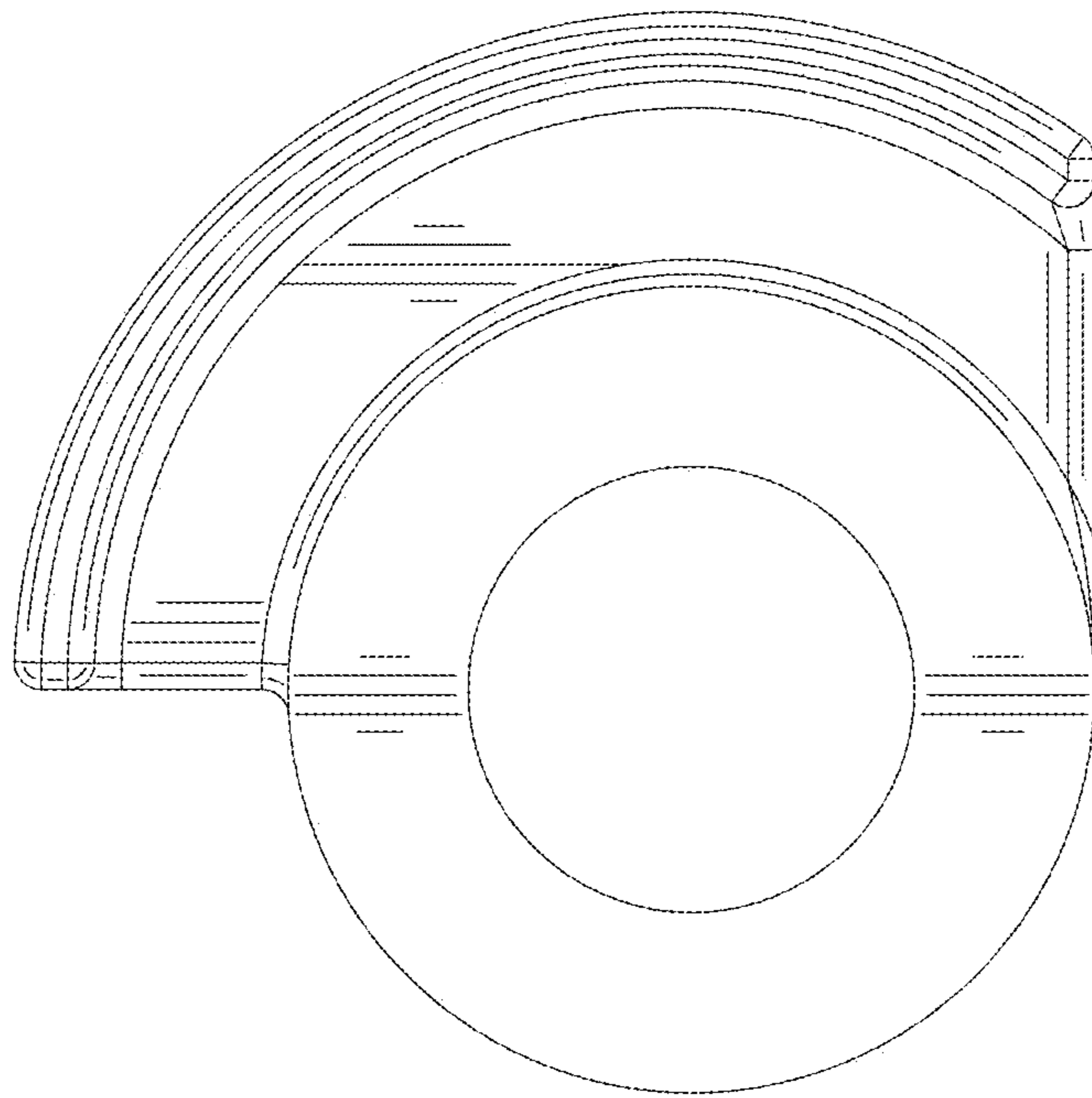


FIG. 8