



US00D925031S

(12) **United States Design Patent** (10) **Patent No.:** **US D925,031 S**
Baker (45) **Date of Patent:** **** Jul. 13, 2021**

(54) **AUTOINJECTOR ASSIST DEVICE**

(71) Applicant: **Jeff Baker**, Orlando, FL (US)

(72) Inventor: **Jeff Baker**, Orlando, FL (US)

(73) Assignee: **NOBLE INTERNATIONAL, INC.**,
Orlando, FL (US)

(**) Term: **15 Years**

(21) Appl. No.: **29/676,006**

(22) Filed: **Jan. 7, 2019**

(51) **LOC (13) Cl.** **24-02**

(52) **U.S. Cl.**
USPC **D24/112**

(58) **Field of Classification Search**
USPC D24/112-114, 108, 130, 127, 133, 186;
606/181, 185; 604/264, 523-528, 272,
604/164.01-164.11, 187, 93.01; 600/101,
600/139, 143; 128/200.24, 207.14,
128/207.15

CPC .. A61M 25/065; A61M 5/42; A61M 25/0612;
A61M 25/00; A61M 39/00; A61M 27/00;
A61M 25/0043; A61M 25/0067; A61M
25/0097; A61F 2/958

See application file for complete search history.

(56) **References Cited**

U.S. PATENT DOCUMENTS

D462,440 S *	9/2002	Formanek	D24/133
D465,846 S *	11/2002	Hwang	D24/130
D467,334 S *	12/2002	Homma	D24/108
D569,508 S *	5/2008	Bacher	D24/133
D590,492 S *	4/2009	Powell	D24/107
D724,726 S *	3/2015	Prokop	D24/133
D764,657 S *	8/2016	Bokelman	D24/113
D889,638 S *	7/2020	Crothall	D24/113
D889,645 S *	7/2020	Prokop	D24/133

2008/0161737 A1*	7/2008	Hilditch	A61H 7/003 601/135
2008/0287925 A1*	11/2008	Le	A61B 17/32002 606/1
2010/0042129 A1*	2/2010	Curry	A61B 5/150618 606/181

(Continued)

FOREIGN PATENT DOCUMENTS

WO 2018222574 A1 6/2018

OTHER PUBLICATIONS

Pfizer for Professionals; Enbrel: Sleever for MyClic pre-filled pens;
<https://www.pfizerpro.co.uk/product/enbrel/rheumatoid-arthritis/enbrel-sleeve-myclic-pre-filled-pens>; Apr. 2019; 3 pages.

Primary Examiner — David G Muller

(74) *Attorney, Agent, or Firm* — Timothy H. Van Dyke;
Wolter Van Dyke Davis, PLLC

(57) **CLAIM**

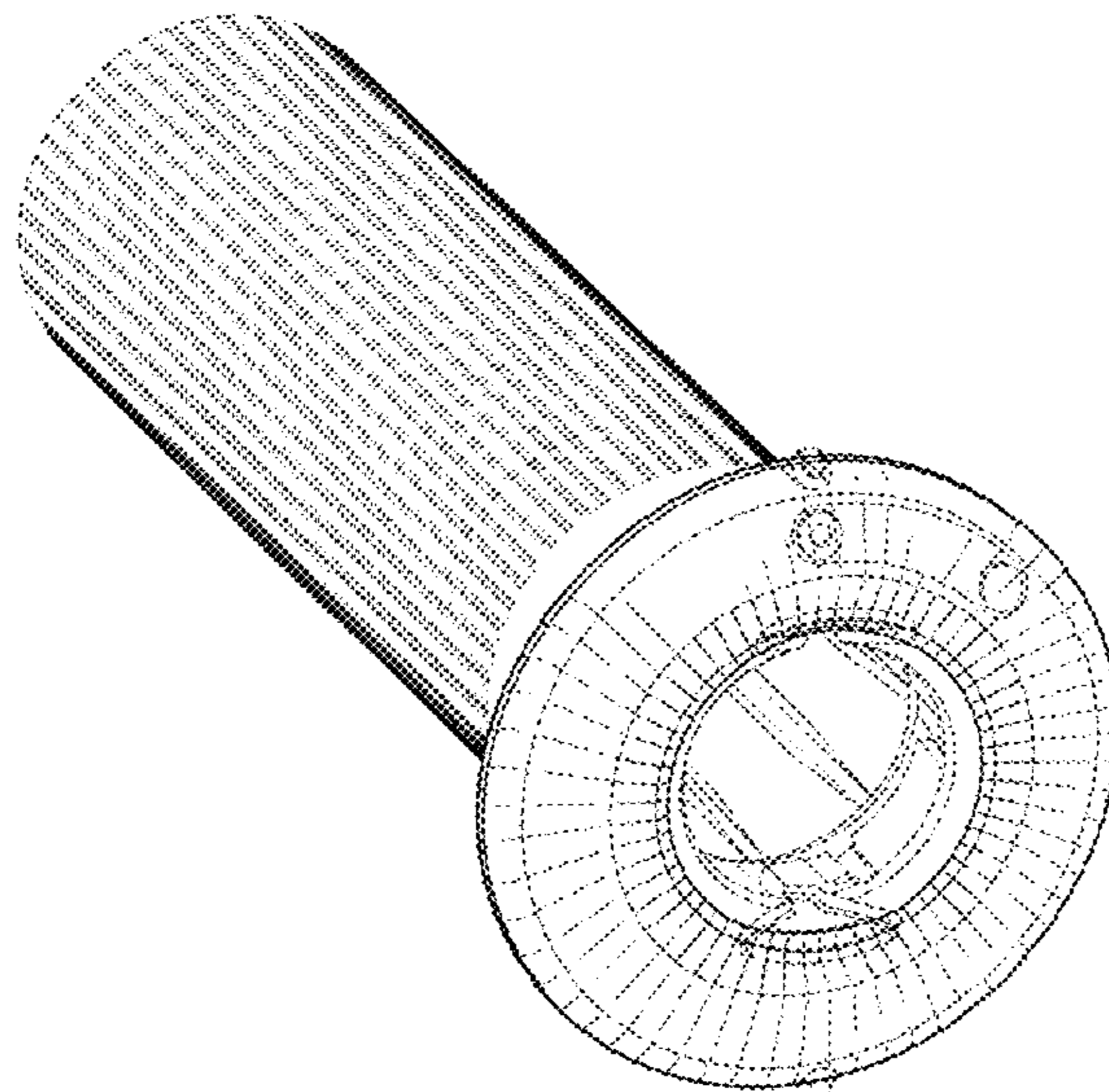
The ornamental design for an autoinjector assist device, as shown and described.

DESCRIPTION

FIG. 1 is a bottom perspective view of an embodiment of an autoinjector assist device;
FIG. 2 is a top perspective view of an embodiment of an autoinjector assist device;
FIG. 3 is a front view (back view is mirror exact) of an embodiment of an autoinjector assist device;
FIG. 4 is left side view (right side view is mirror exact) of an embodiment of an autoinjector assist device;
FIG. 5 is a top view of an embodiment of an autoinjector assist device; and,
FIG. 6 is a bottom view of an embodiment of an autoinjector assist device.

The broken lines shown in the drawings represent unclaimed portions of the autoinjector assist device and form no part of the claimed design.

1 Claim, 5 Drawing Sheets



(56)

References Cited

U.S. PATENT DOCUMENTS

2014/0012229 A1* 1/2014 Bokelman A61M 5/2033
604/506

* cited by examiner

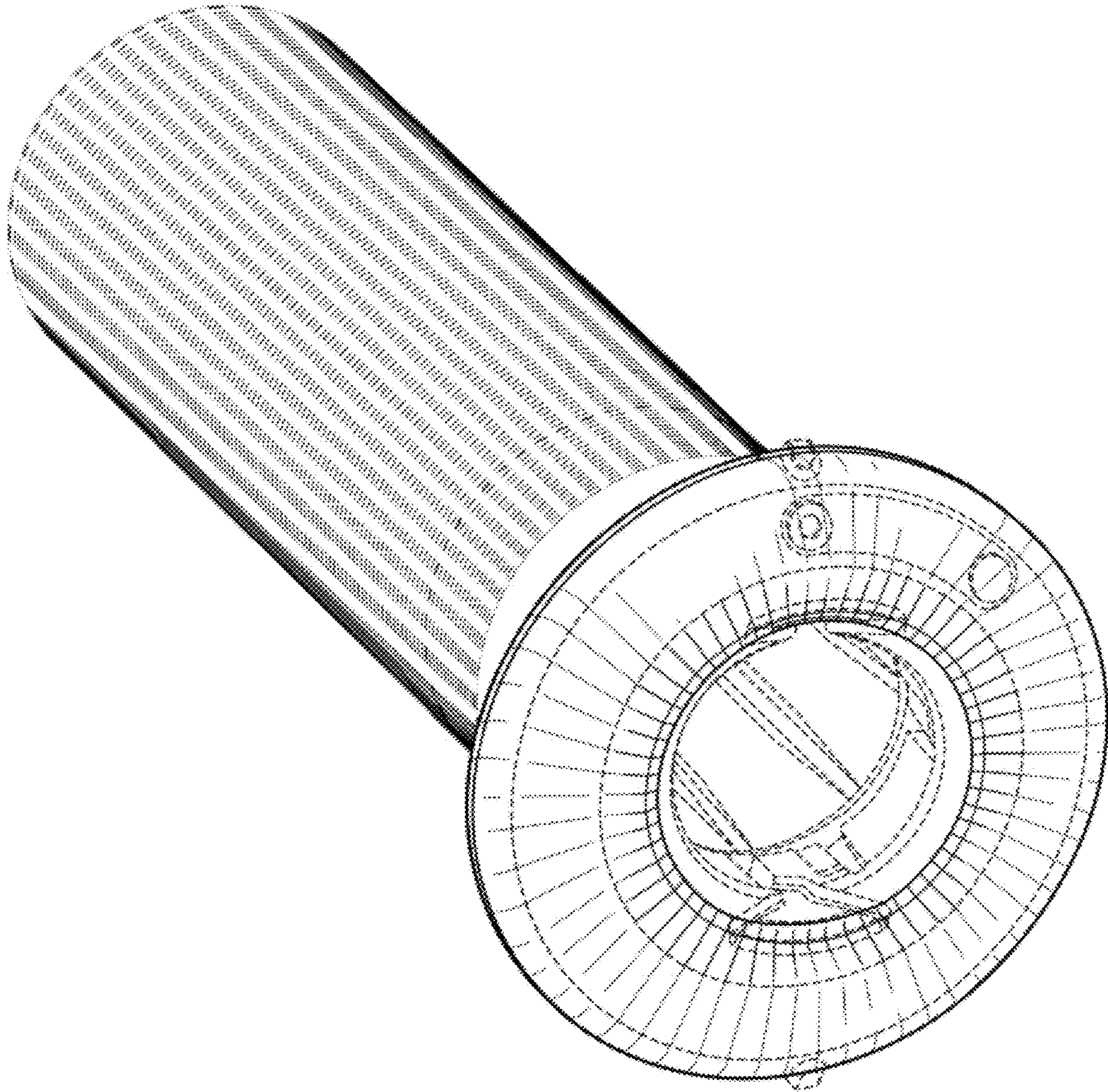


Fig. 1

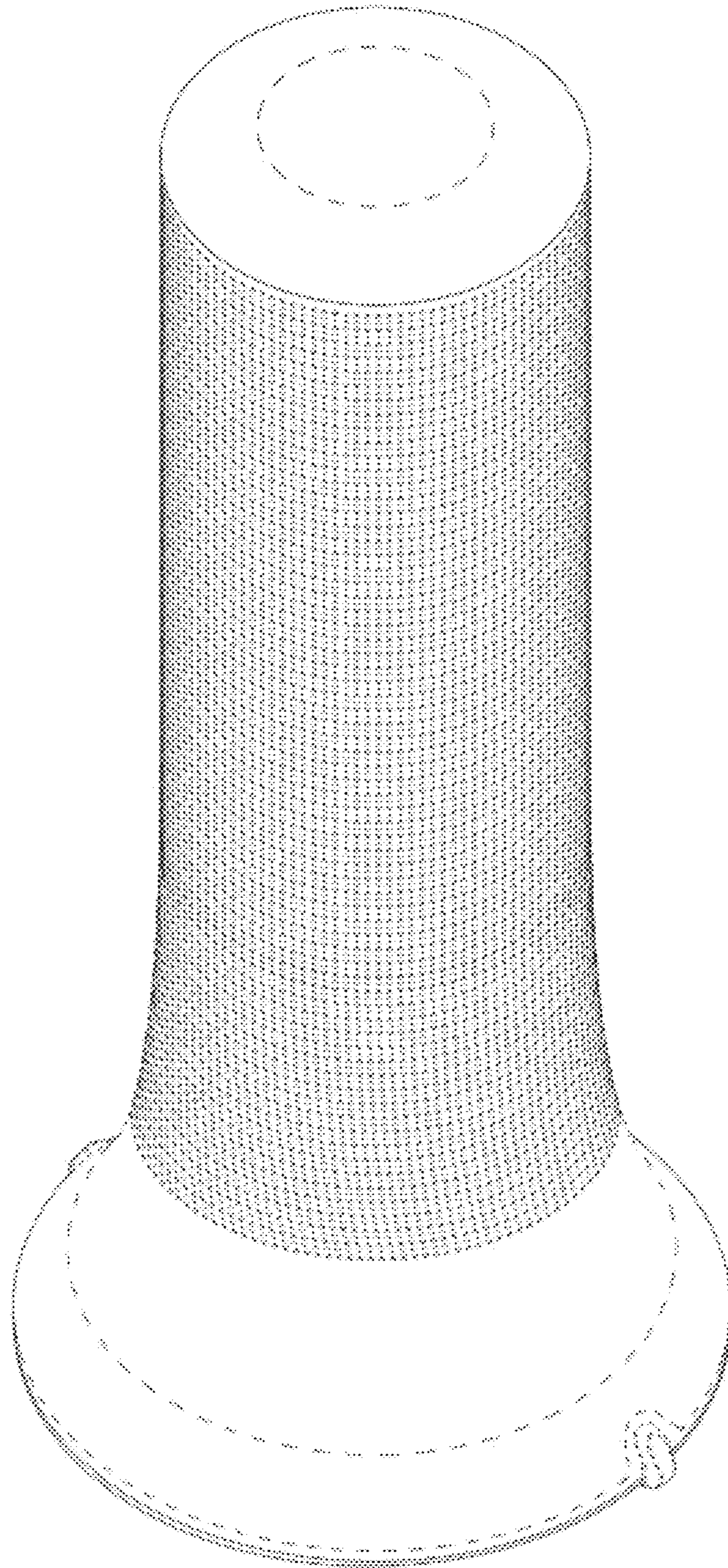


Fig. 2

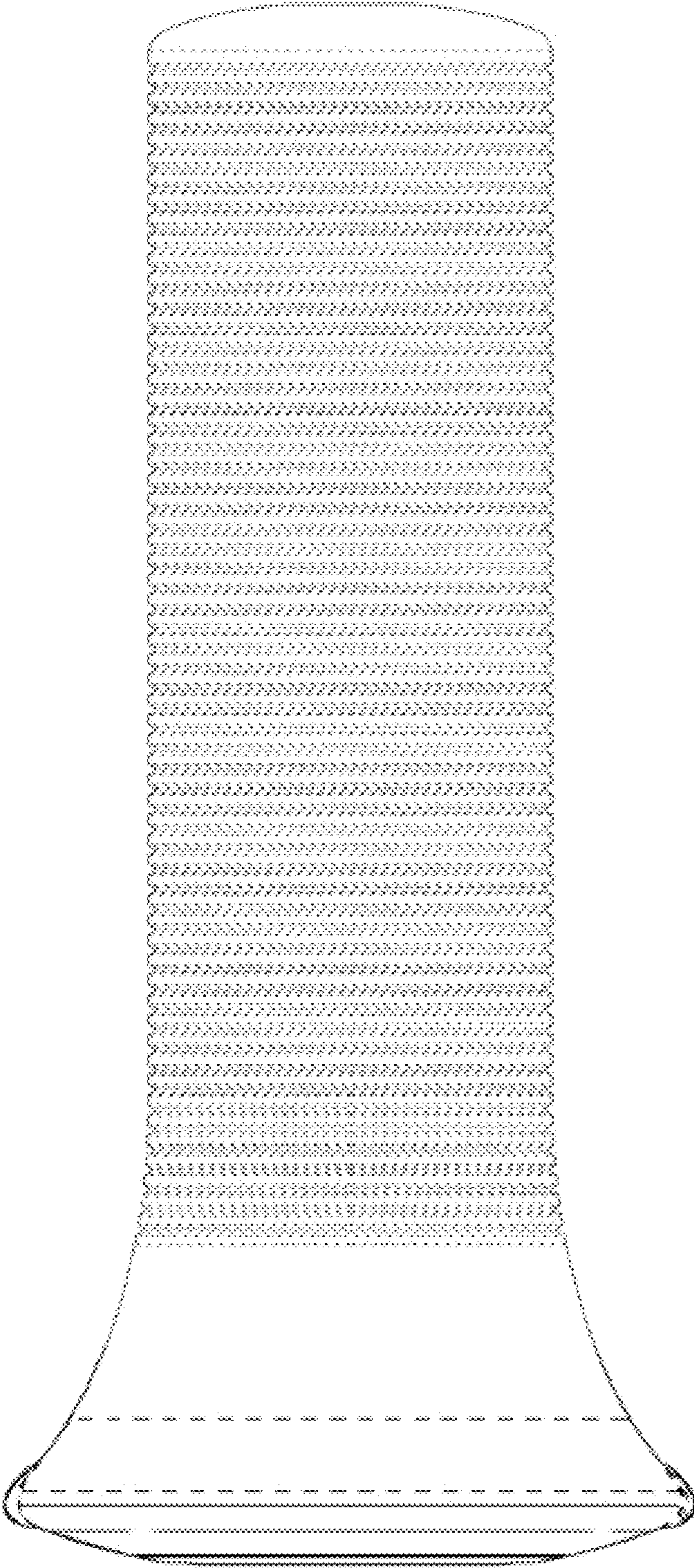


Fig. 3

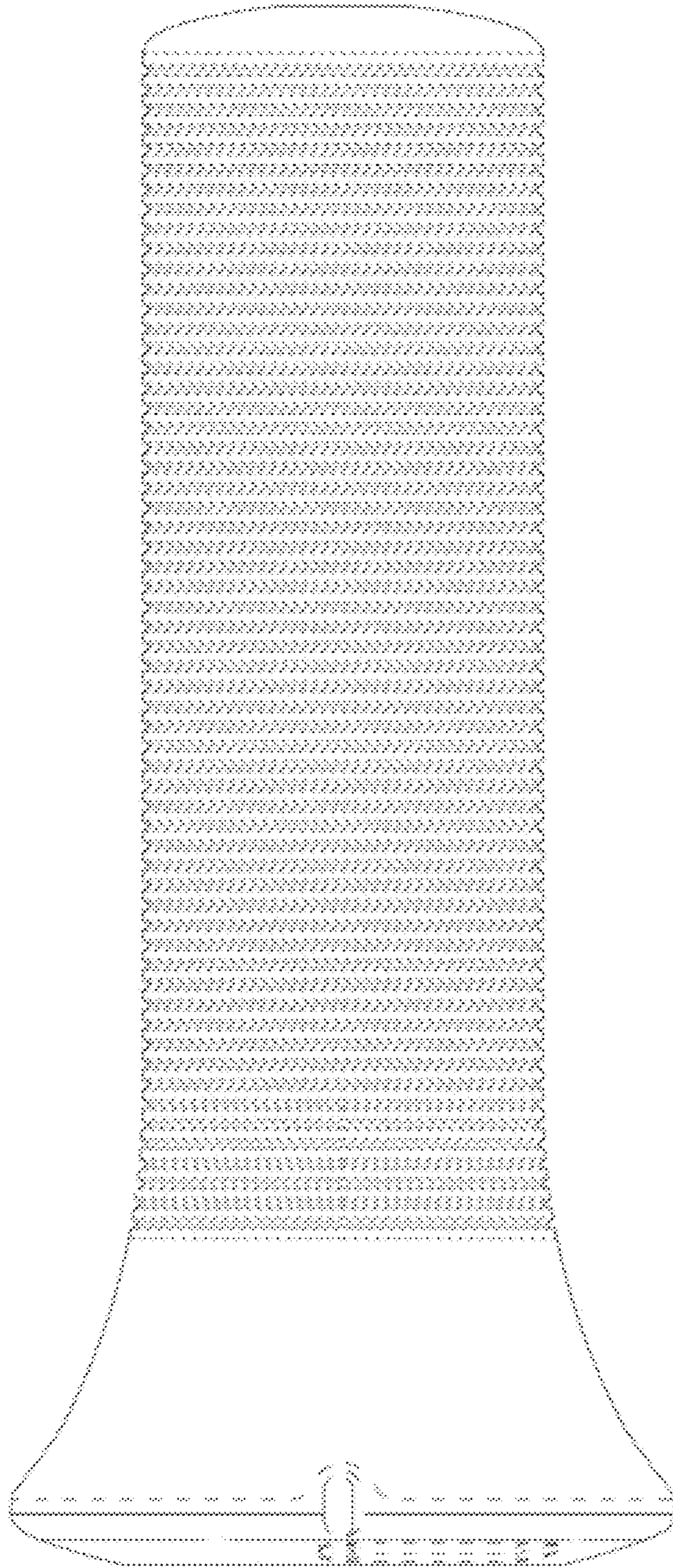


Fig. 4

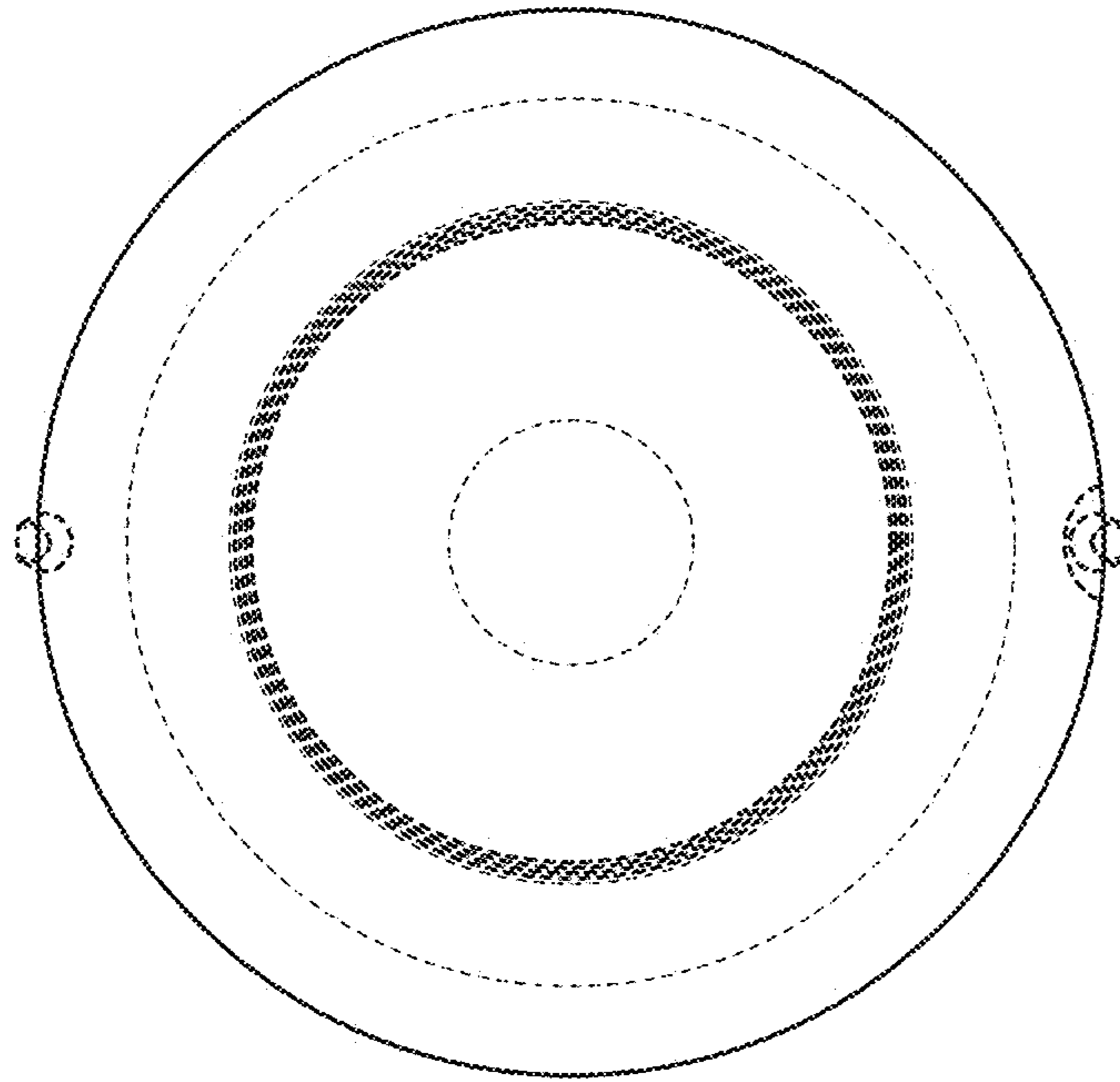


Fig. 5

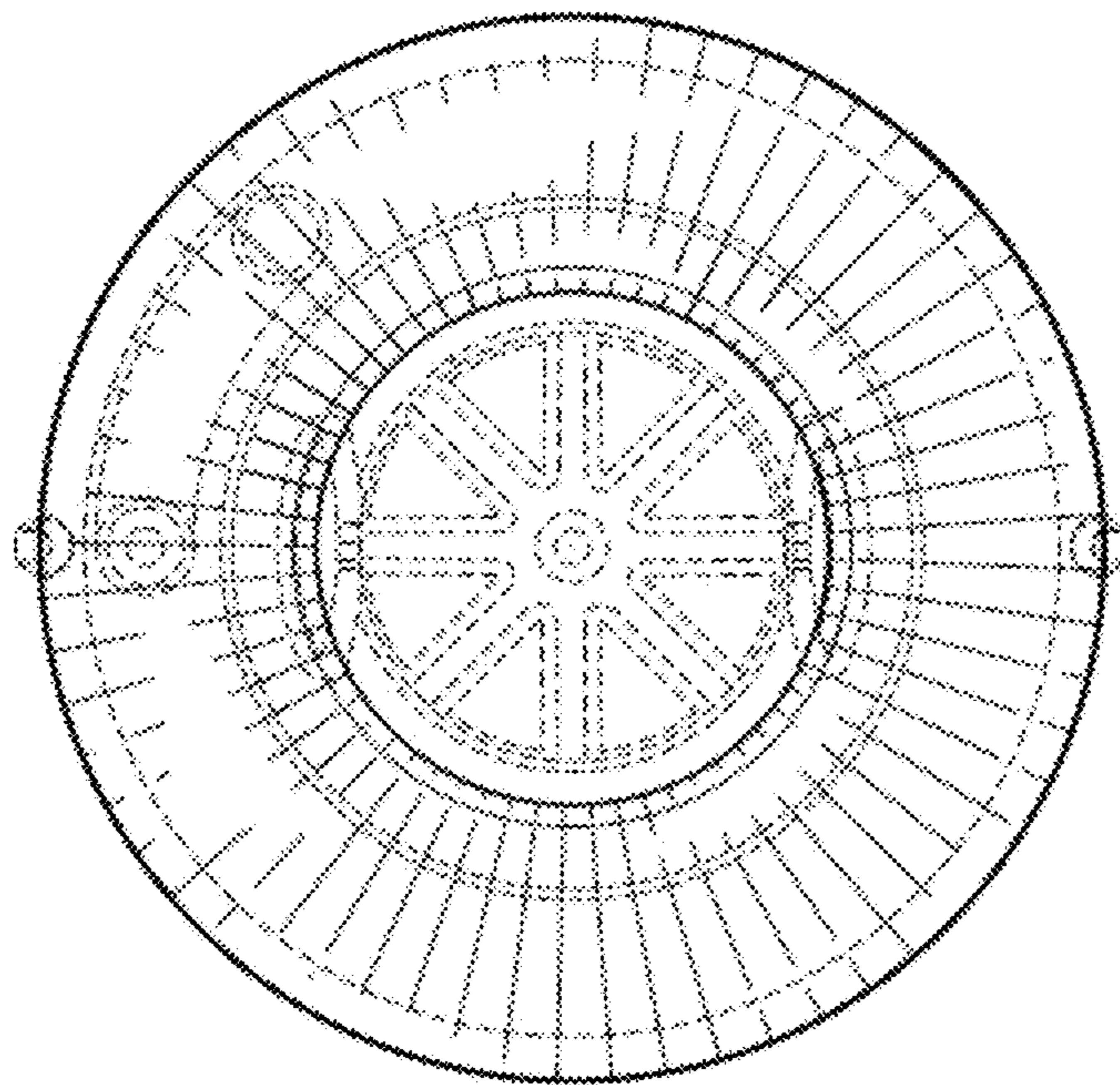


Fig. 6