



US00D925027S

(12) **United States Design Patent** (10) **Patent No.:** **US D925,027 S**
Zanotti et al. (45) **Date of Patent:** **** Jul. 13, 2021**

(54) **CLOSURES FOR SCENT DIFFUSERS**

(71) Applicant: **GEA HOLDING S.P.A.**, Turin (IT)

(72) Inventors: **Federico Zanotti**, Pianezza (IT);
Alberto Zanotti, Pianezza (IT)

(73) Assignee: **GEA HOLDING S.P.A.**, Turin (IT)

(**) Term: **15 Years**

(21) Appl. No.: **29/671,492**

(22) Filed: **Nov. 28, 2018**

(30) **Foreign Application Priority Data**

Jun. 20, 2018 (WO) DM101940

(51) **LOC (13) Cl.** **23-04**

(52) **U.S. Cl.**
USPC **D23/366**; D9/443

(58) **Field of Classification Search**
USPC D23/201, 208, 355–369, 386; D9/416,
D9/425, 439, 435, 440, 454, 544, 545
CPC A61L 9/02; A61L 9/03; A61L 9/12; A61L
9/035; A61L 9/125

See application file for complete search history.

(56) **References Cited**

U.S. PATENT DOCUMENTS

D3,671 S *	9/1869	Livingston	D9/439
D25,917 S *	8/1896	Boley	D9/439
D199,155 S *	9/1964	Hannon	D9/452
D241,919 S *	10/1976	Best	D9/439
D370,629 S *	6/1996	Lynch	D9/439

(Continued)

Primary Examiner — Sheryl Lane

Assistant Examiner — Calvin E Vansant

(74) *Attorney, Agent, or Firm* — Howson & Howson LLP

(57) **CLAIM**

The ornamental design for closures for scent diffusers, as shown and described.

DESCRIPTION

FIG. 1 is a perspective view of a first embodiment of a closures for scent diffusers according to our new design in a condition in which an inner component of the closure is in sealing engagement with an outer component of the closure; FIG. 2 is a perspective view of the closures for scent diffusers of FIG. 1 showing an underside of the outer component of the closure;

FIG. 3 is a top plan view of the closures for scent diffusers of FIG. 1;

FIG. 4 is a perspective view of the closures for scent diffusers of FIG. 1 showing an opposite side of the closure relative to FIG. 1;

FIG. 5 is a perspective view of the closures for scent diffusers of FIG. 1 in a condition in which the inner component of the closures is removed and separated from the outer component of the closure;

FIG. 6 is a side view of a second embodiment of a closures for scent diffusers according to our new design in a condition in which an inner component of the closure is in sealing engagement with an outer component of the closure;

FIG. 7 is a perspective view of the closures for scent diffusers of FIG. 6 showing an underside of the outer component of the closure;

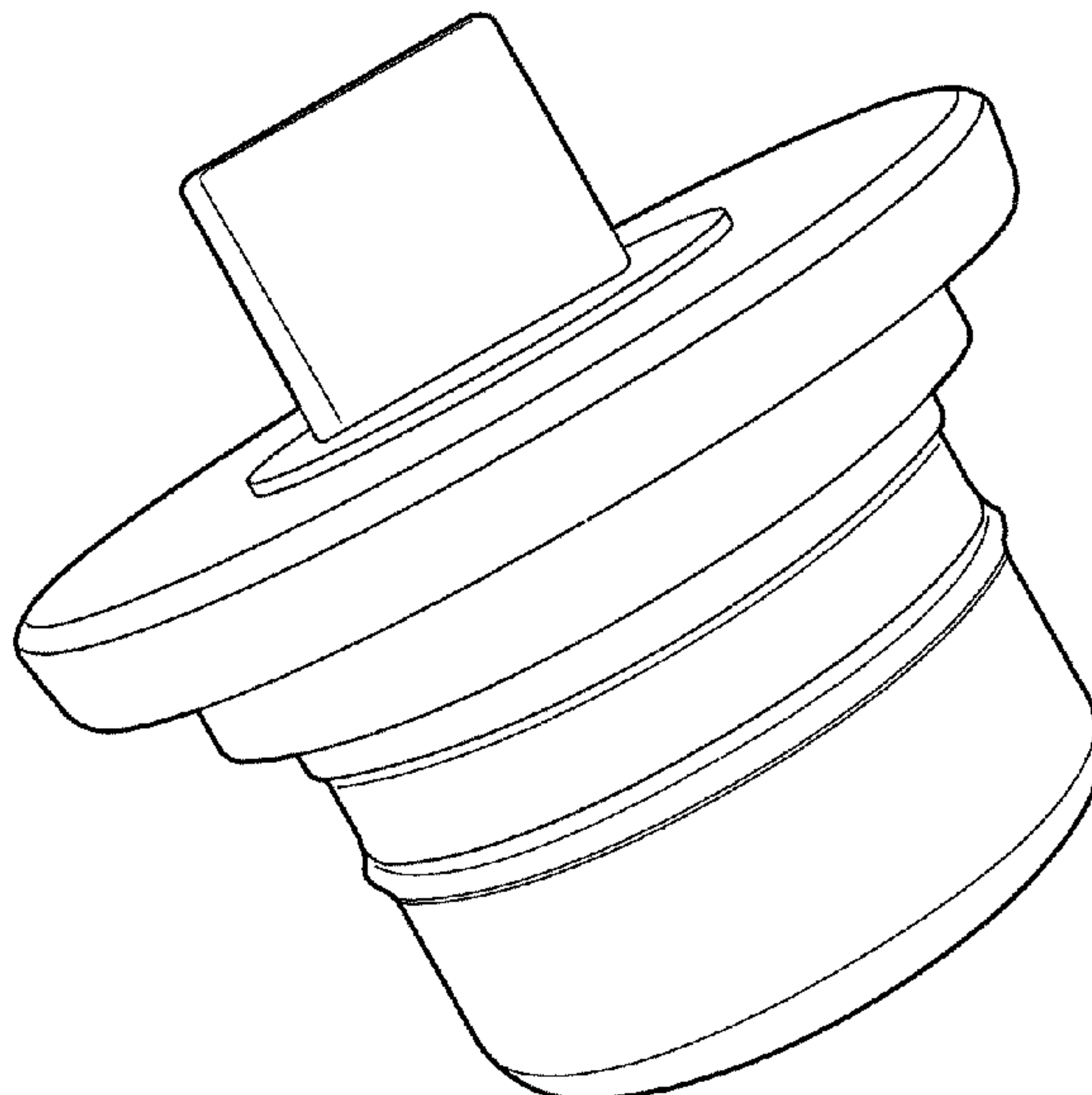
FIG. 8 is a top plan view of the closures for scent diffusers of FIG. 6;

FIG. 9 is a side view of the closures for scent diffusers of FIG. 6 showing a different side of the closure relative to FIG. 6; and,

FIG. 10 is a perspective view of the closures for scent diffusers of FIG. 6 in a condition in which the inner component of the closure is removed and separated from the outer component of the closure.

The broken lines depict portions of the closures for scent diffusers that form no part of the claimed design.

1 Claim, 10 Drawing Sheets



(56)

References Cited

U.S. PATENT DOCUMENTS

D450,582 S * 11/2001 Adams D9/438
D533,396 S * 12/2006 Lipson A61J 1/1406
D7/392.1
D564,879 S * 3/2008 Baughman D9/454
D585,738 S * 2/2009 Zeyfang D9/439
D617,427 S * 6/2010 McNamara D23/261
D680,431 S * 4/2013 Hopkins D9/443
D690,336 S * 9/2013 Gjertsen D15/144
D720,836 S * 1/2015 Moe D23/260
D726,488 S * 4/2015 Wittke D7/321
D728,758 S * 5/2015 Coronado D23/269
D729,063 S * 5/2015 Koop D9/439
D762,825 S * 8/2016 Walker D23/259
D774,630 S * 12/2016 Mehari D23/269
D799,938 S * 10/2017 Lowitz D8/354
D800,538 S * 10/2017 Lowitz D8/354
D805,899 S * 12/2017 Marantis A61J 1/1406
D9/439
D811,225 S * 2/2018 Newson D9/505
D814,298 S * 4/2018 Ramon D9/444
D856,136 S * 8/2019 Marshall D9/435
D867,132 S * 11/2019 Callaars D9/439
D867,880 S * 11/2019 Sacchetti D9/440
D878,915 S * 3/2020 Parzych D9/439
D880,954 S * 4/2020 McCutchen D7/624.2

* cited by examiner

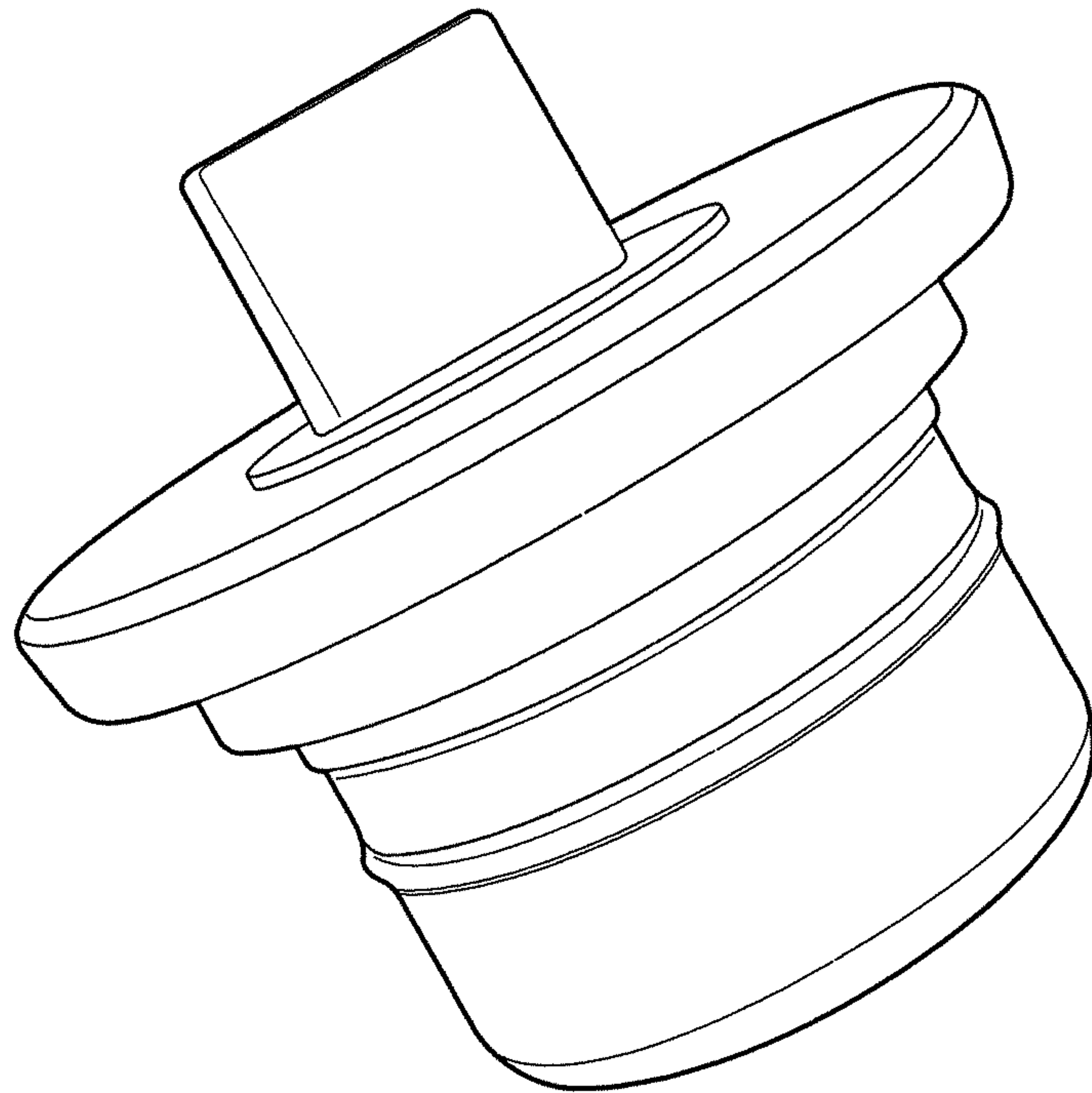


FIG. 1

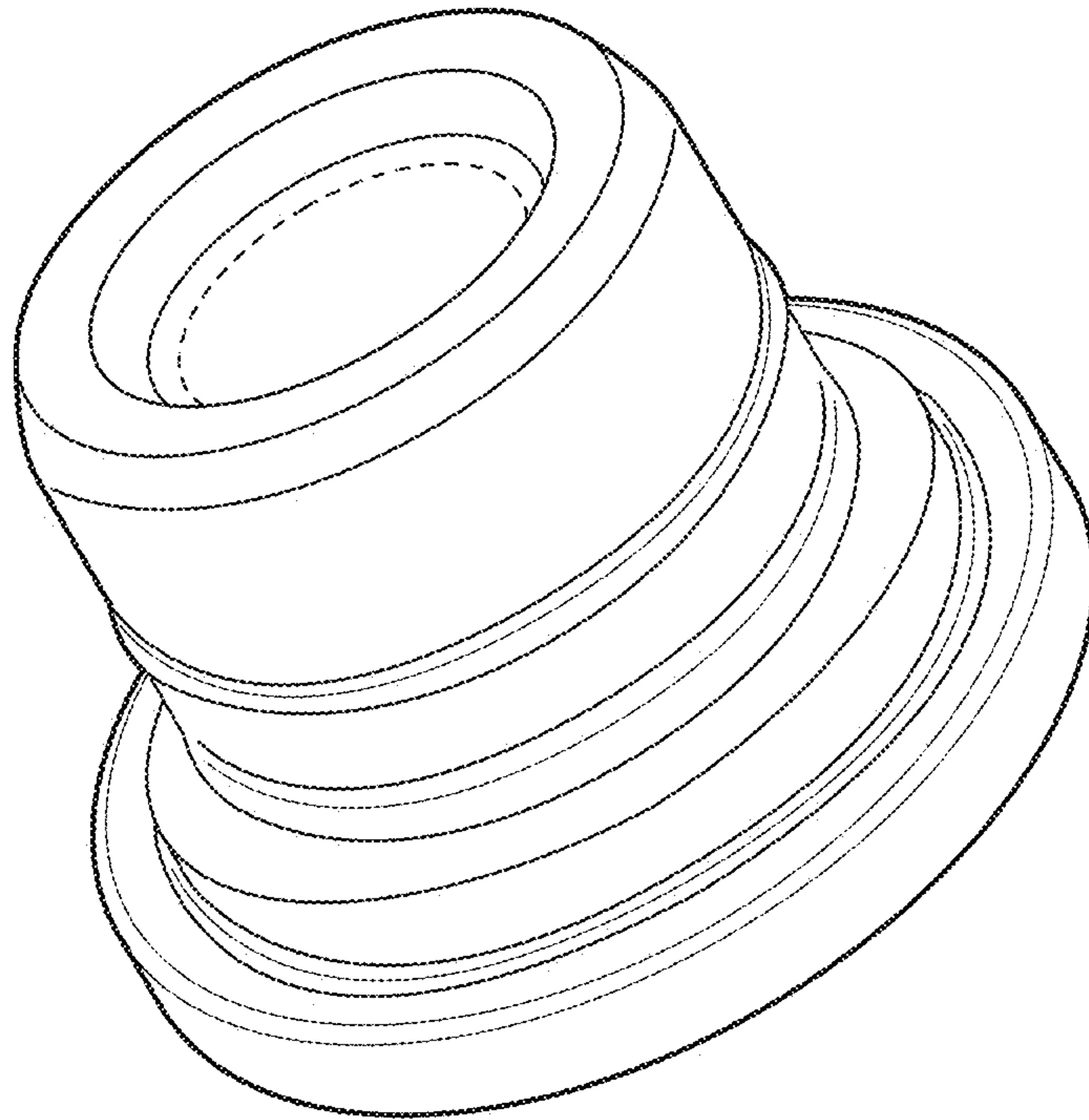


FIG. 2

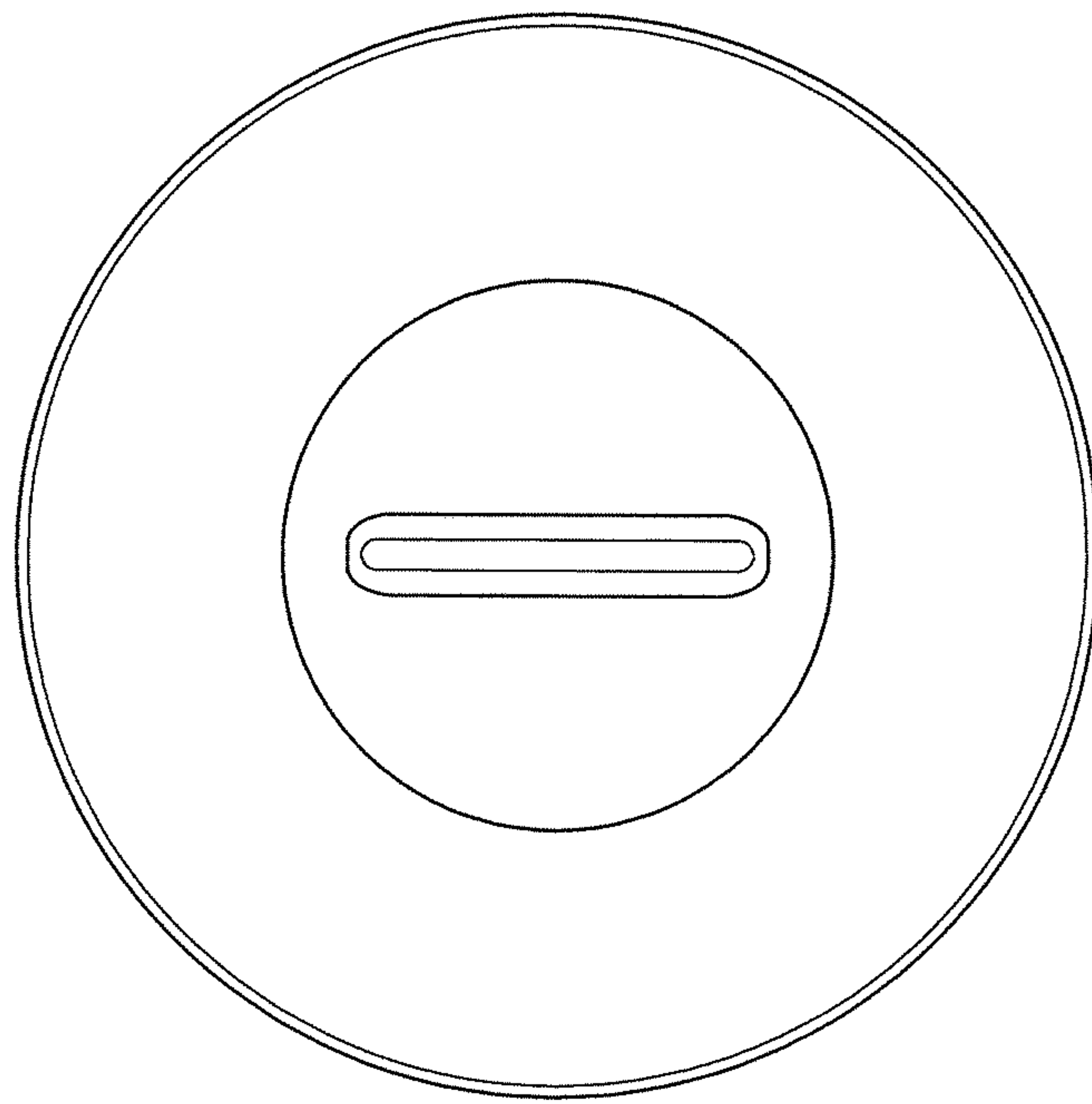


FIG. 3

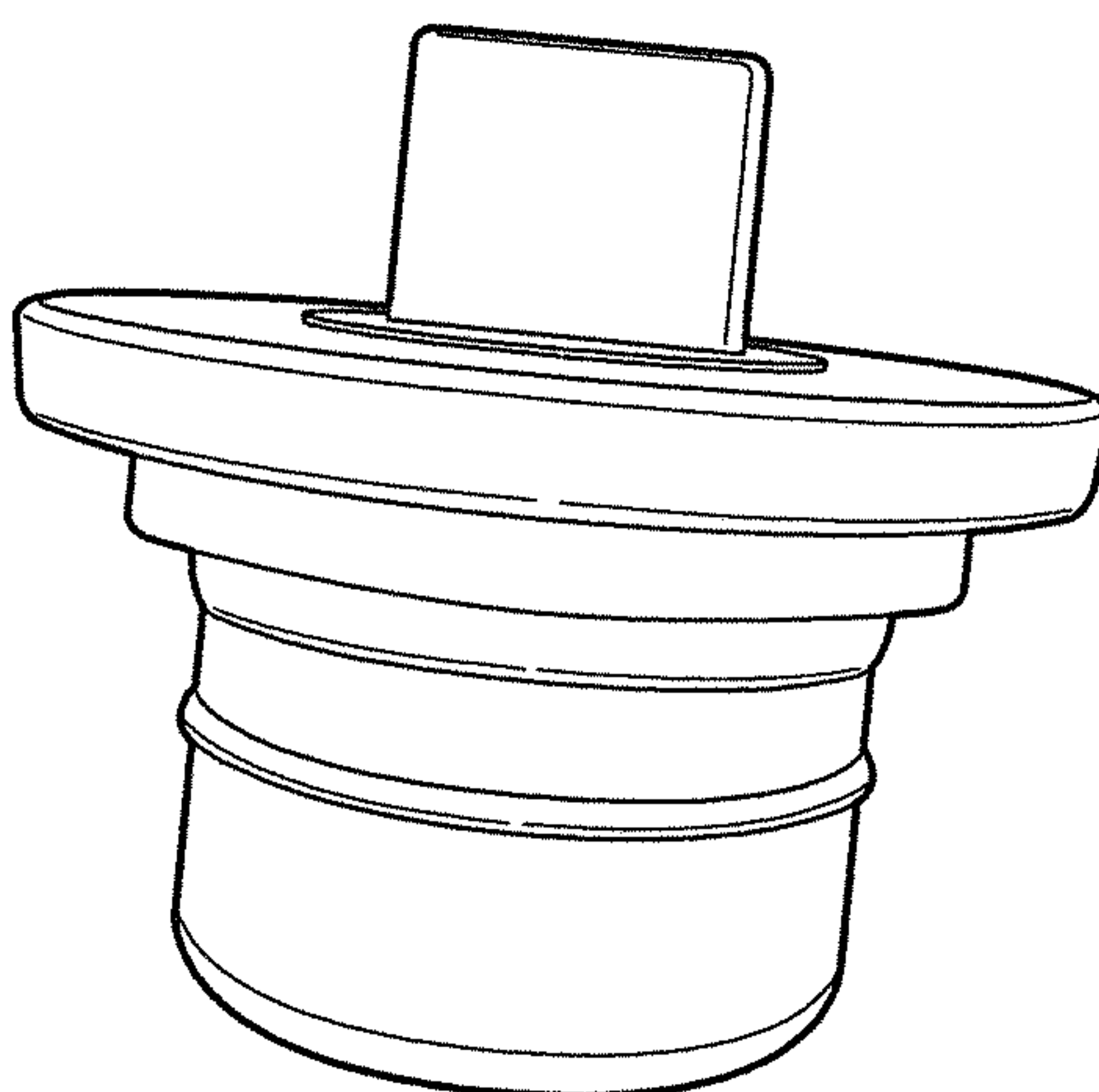


FIG. 4

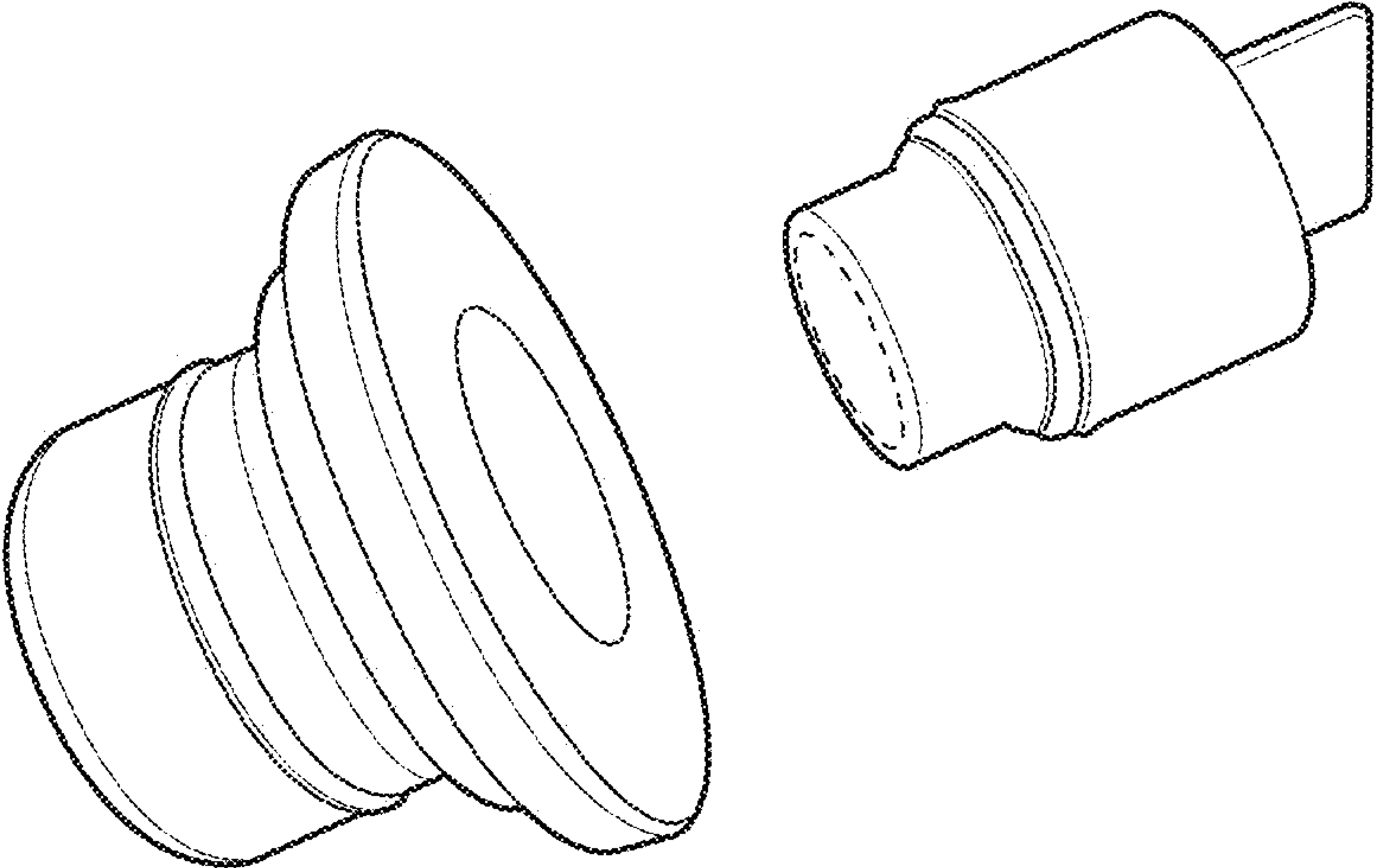


FIG. 5

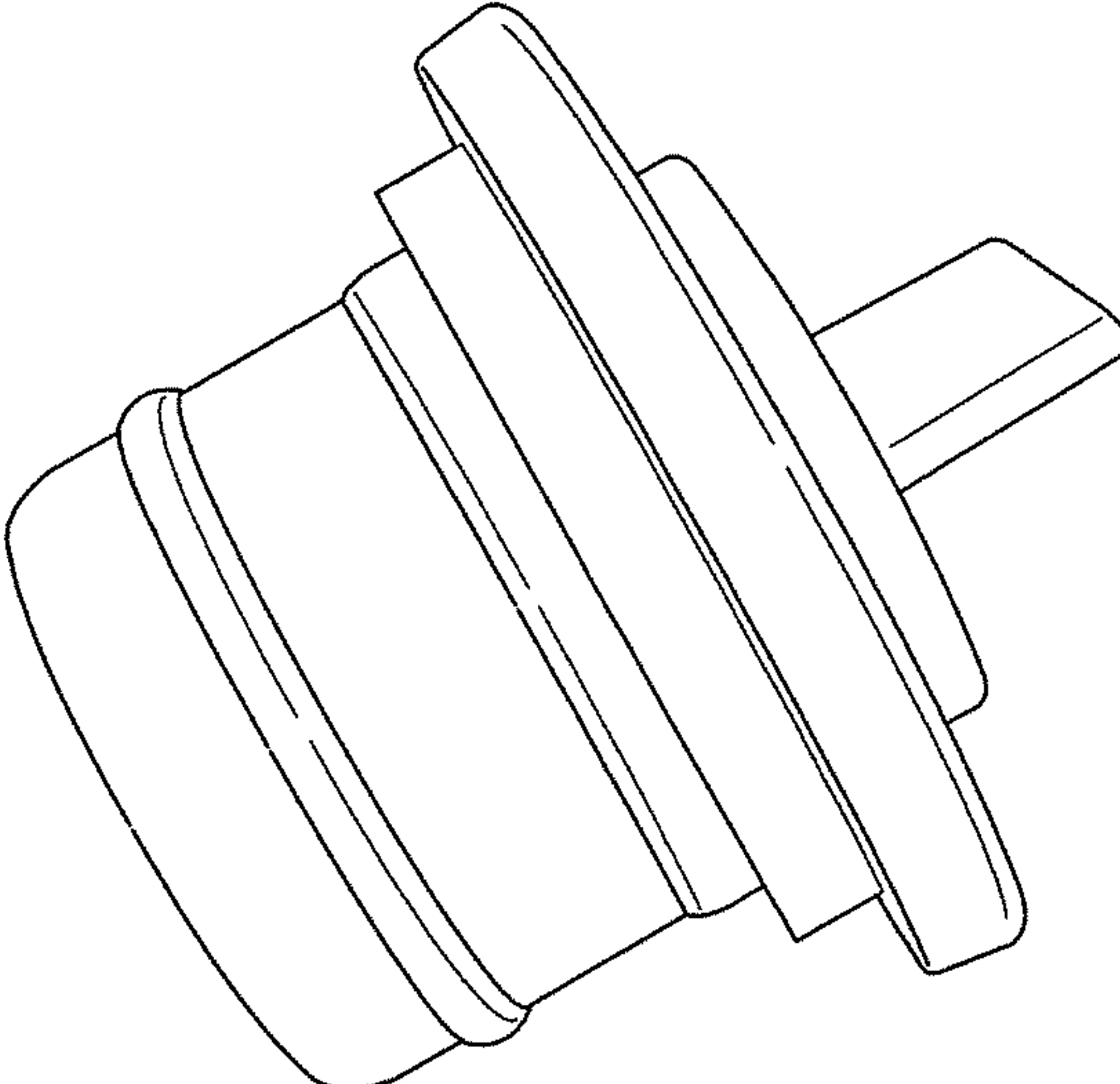


FIG. 6

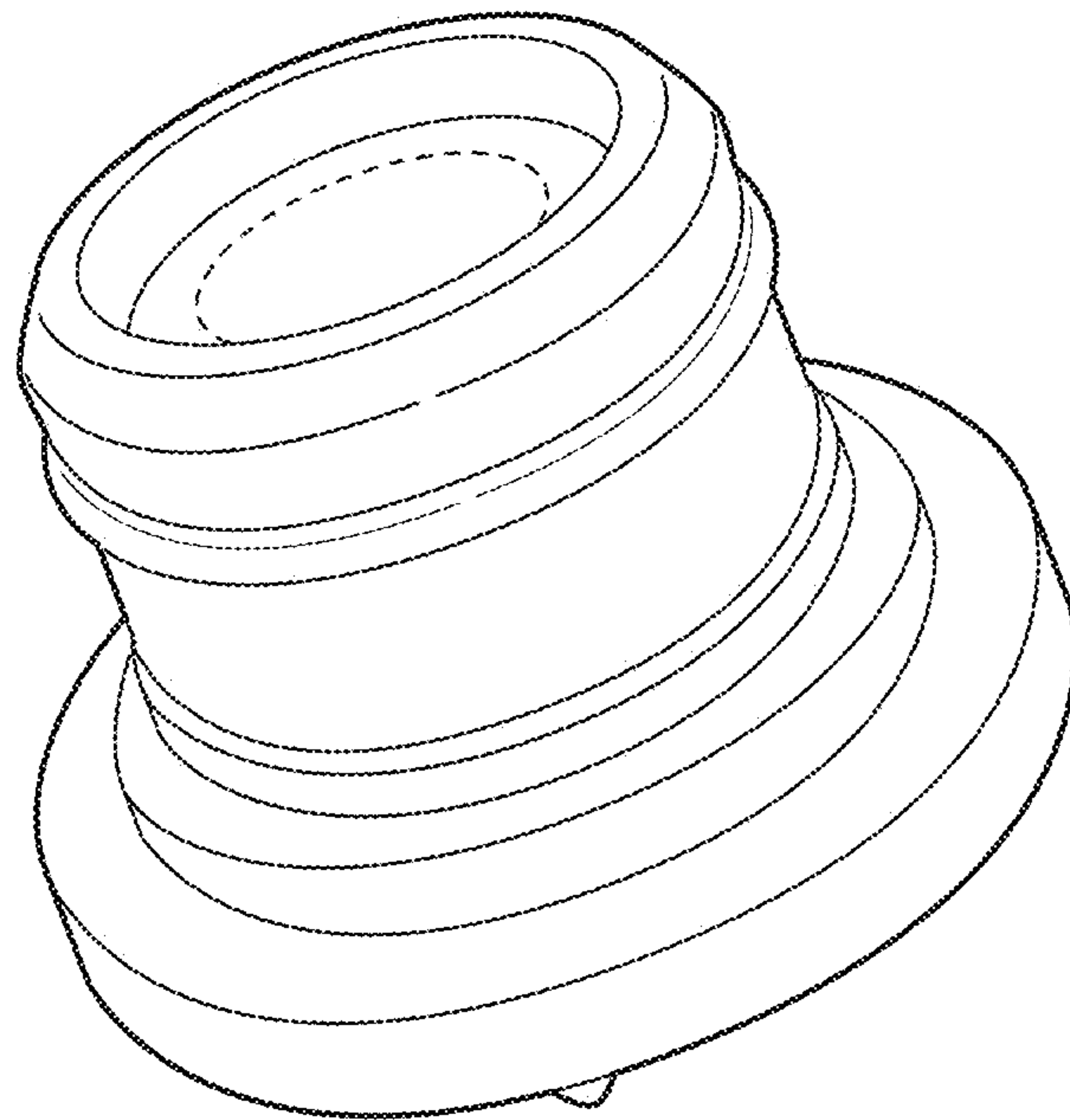


FIG. 7

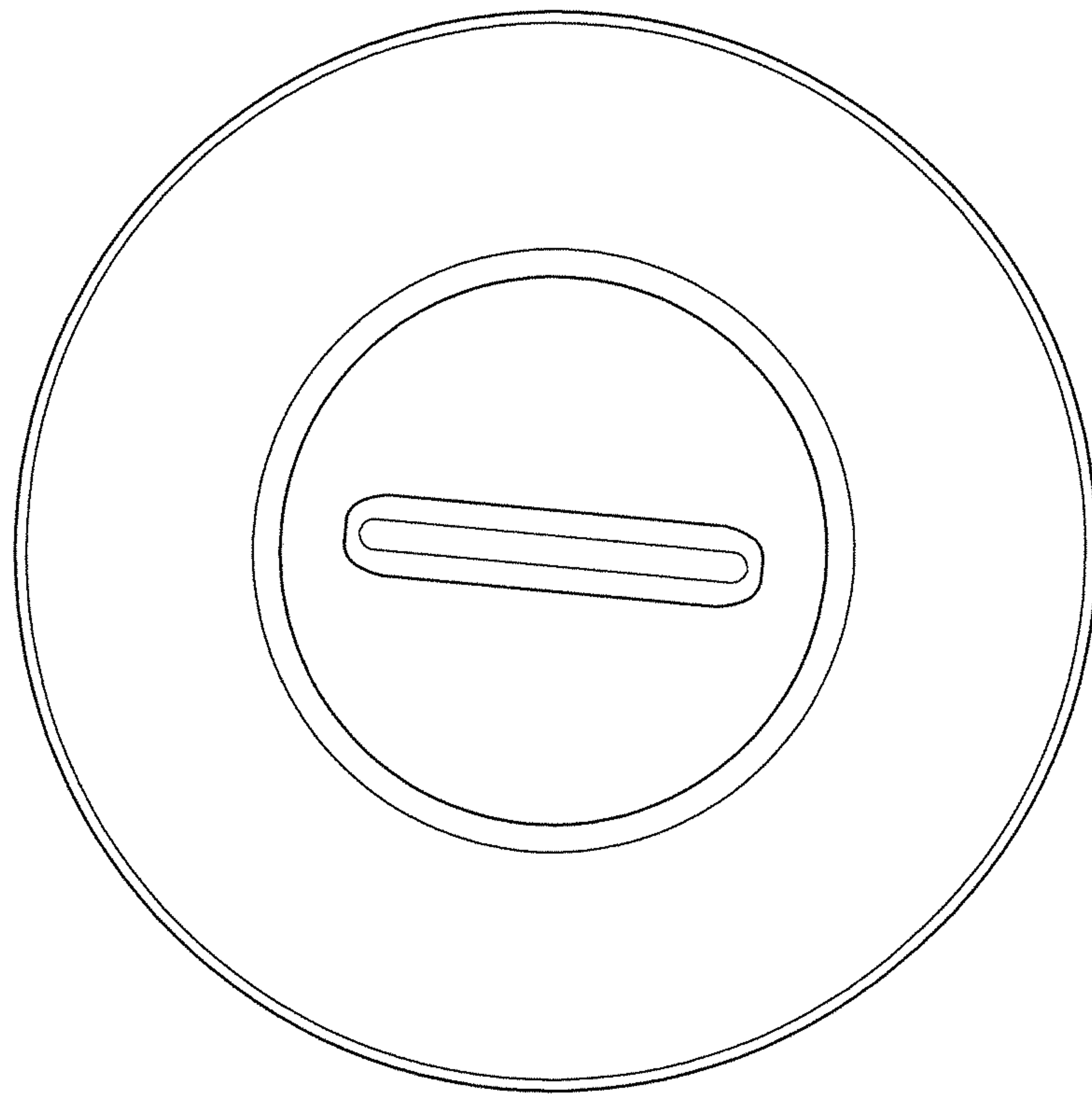


FIG. 8

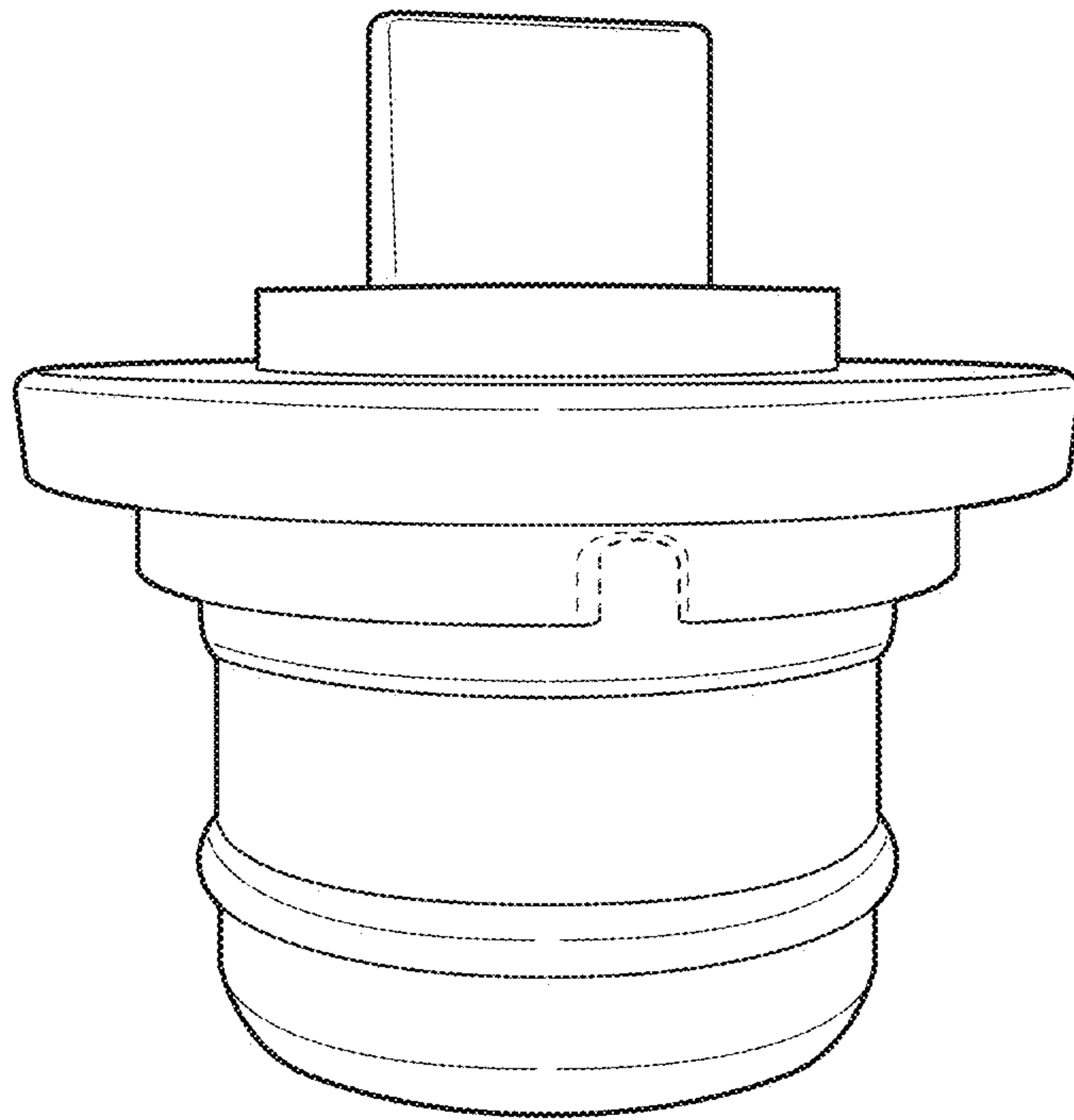


FIG. 9

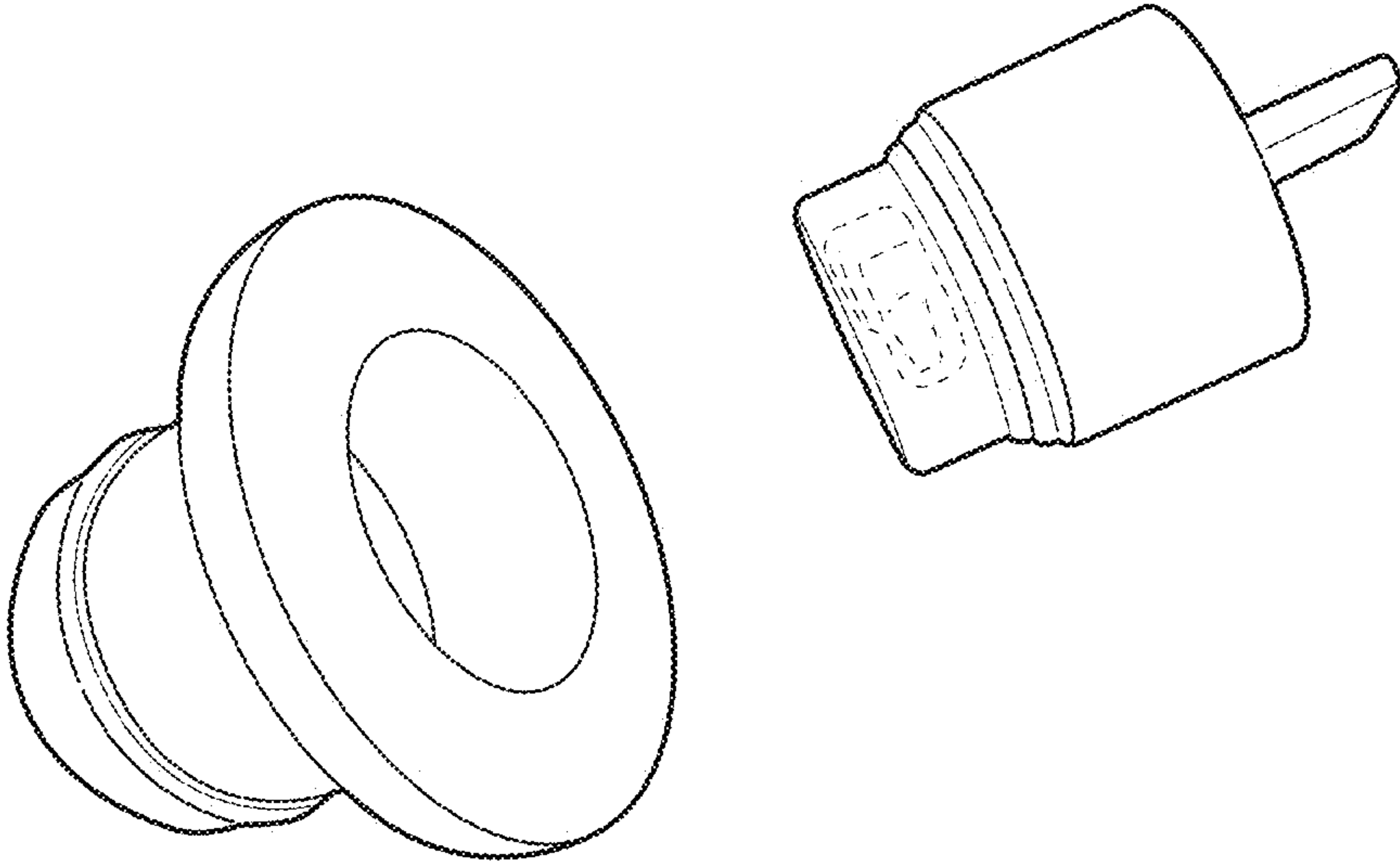


FIG. 10