



US00D925018S

(12) **United States Design Patent** (10) **Patent No.:** **US D925,018 S**  
**Stevenson et al.** (45) **Date of Patent:** **\*\* Jul. 13, 2021**

(54) **TOILET**

(71) Applicant: **Kohler Mira Limited**, Gloucestershire (GB)

(72) Inventors: **Robert Karl Stevenson**, London (GB); **Alexander Muspratt-Williams**, London (GB); **Mathias Hahn**, London (GB)

(73) Assignee: **KOHLER MIRA LIMITED**, Cheltenham (GB)

(\*\*) Term: **15 Years**

(21) Appl. No.: **29/657,991**

(22) Filed: **Jul. 26, 2018**

D323,551 S	1/1992	Fait	
D332,137 S	12/1992	Kohler, Jr. et al.	
D346,854 S *	5/1994	Reid .....	D23/301
D349,156 S	7/1994	Kohler, Jr. et al.	
D352,772 S	11/1994	Kohler, Jr. et al.	
D393,059 S	3/1998	Garza	
D398,383 S	9/1998	Kergoet	
D410,279 S	5/1999	Tani	
D412,742 S	8/1999	Soulier	
D437,634 S	2/2001	Hundley	
D455,202 S	4/2002	Soulier	
D455,477 S	4/2002	Soulier	
D496,444 S	9/2004	Kergoet	
D536,428 S	2/2007	Kohler, Jr. et al.	
D536,771 S	2/2007	Chenesseau	
D578,625 S *	10/2008	Ho .....	D23/313
D603,945 S	11/2009	Bucher	
D606,178 S	12/2009	Cummings	
D606,179 S	12/2009	Cummings	

(Continued)

**Related U.S. Application Data**

(62) Division of application No. 29/618,860, filed on Sep. 25, 2017, now Pat. No. Des. 827,113, which is a division of application No. 29/566,089, filed on May 26, 2016, now Pat. No. Des. 802,105.

(51) **LOC (13) Cl.** ..... **23-02**

(52) **U.S. Cl.**  
USPC ..... **D23/309**

(58) **Field of Classification Search**  
USPC ..... D23/295–303, 309, 311–313  
CPC ..... A47K 11/02; A47K 11/026; A47K 11/00;  
A47K 13/00; E03D 11/18; E03D 5/10;  
E03D 13/00

See application file for complete search history.

(56) **References Cited**

**U.S. PATENT DOCUMENTS**

D276,176 S	10/1984	Kaiser
D278,078 S	3/1985	Kaiser
D309,939 S	8/1990	Yvetot
D311,242 S	10/1990	Reid

*Primary Examiner* — John A Voytek

(74) *Attorney, Agent, or Firm* — Foley & Lardner LLP

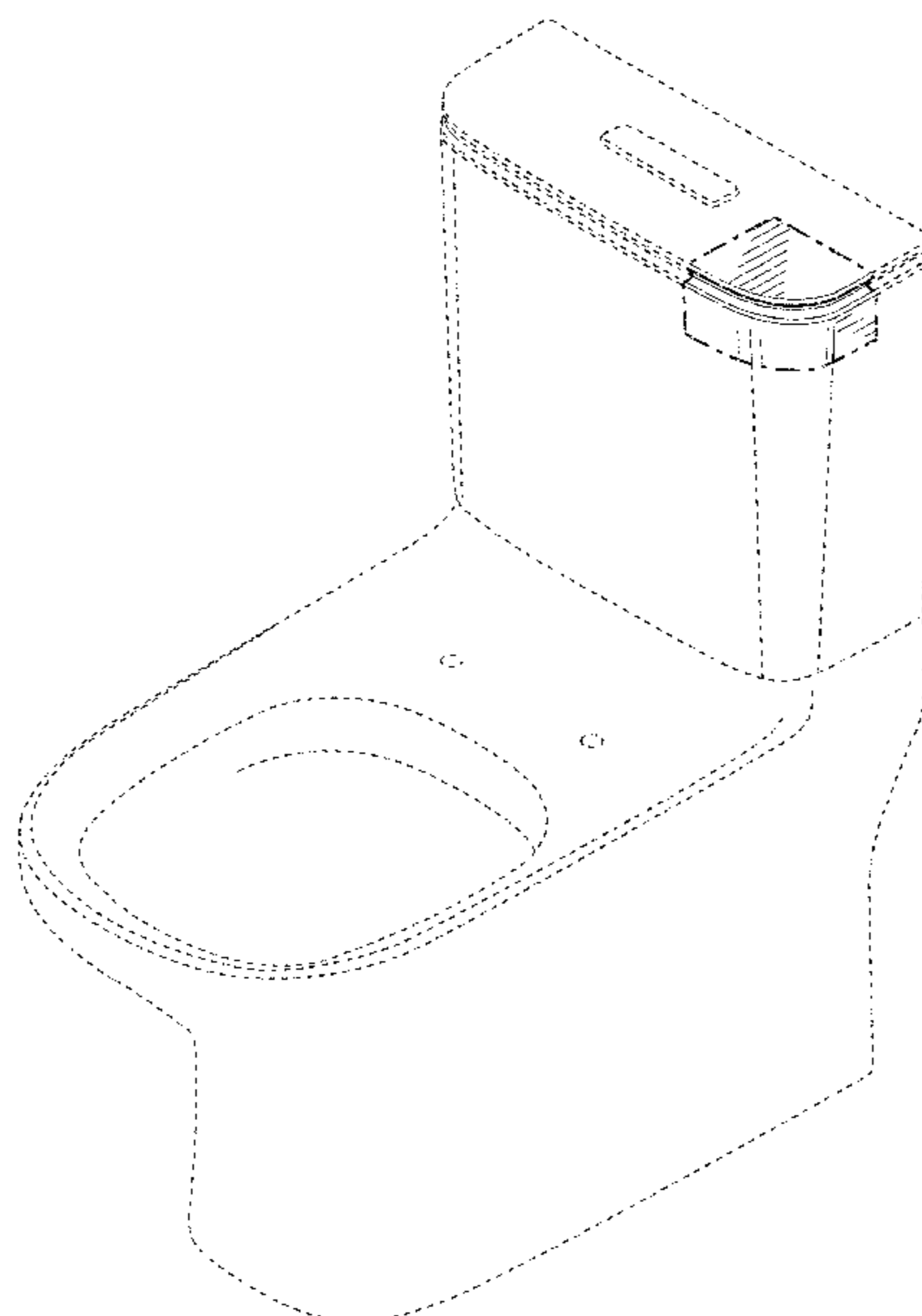
(57) **CLAIM**

We claim the ornamental design for a toilet, as shown and described.

**DESCRIPTION**

FIG. 1 is a perspective view of a toilet;  
 FIG. 2 is a front view of the toilet shown in FIG. 1;  
 FIG. 3 is a rear view of the toilet shown in FIG. 1;  
 FIG. 4 is a side view of the toilet shown in FIG. 1;  
 FIG. 5 is another side view of the toilet shown in FIG. 1;  
 FIG. 6 is a top view of the toilet shown in FIG. 1; and,  
 FIG. 7 is a bottom view of the toilet shown in FIG. 1.  
 The broken lines in the drawings form no part of the claimed design. Broken lines formed by equal length dashes show unclaimed subject matter. Broken lines formed of unequal length dashes (i.e., dash-dot) define bounds of the claimed design.

**1 Claim, 6 Drawing Sheets**



(56)

**References Cited**

U.S. PATENT DOCUMENTS

D637,702	S	5/2011	Rexach	
D652,493	S *	1/2012	Bucher .....	D23/301
D654,993	S	2/2012	Ando	
D672,018	S	12/2012	Bucher	
D694,378	S *	11/2013	Bates .....	D23/313
D694,379	S	11/2013	Bates	
D763,416	S	8/2016	Goad	
D764,033	S	8/2016	Chuk	
D798,424	S	9/2017	Mesun	
D798,425	S *	9/2017	Mesun .....	D23/301
D801,490	S	10/2017	Stevenson	
D802,105	S	11/2017	Stevenson	
D802,106	S	11/2017	Stevenson	
D815,262	S *	4/2018	Bates .....	D23/313
D829,311	S *	9/2018	Stevenson .....	D23/309
D860,417	S *	9/2019	Kergoet .....	D23/309

\* cited by examiner

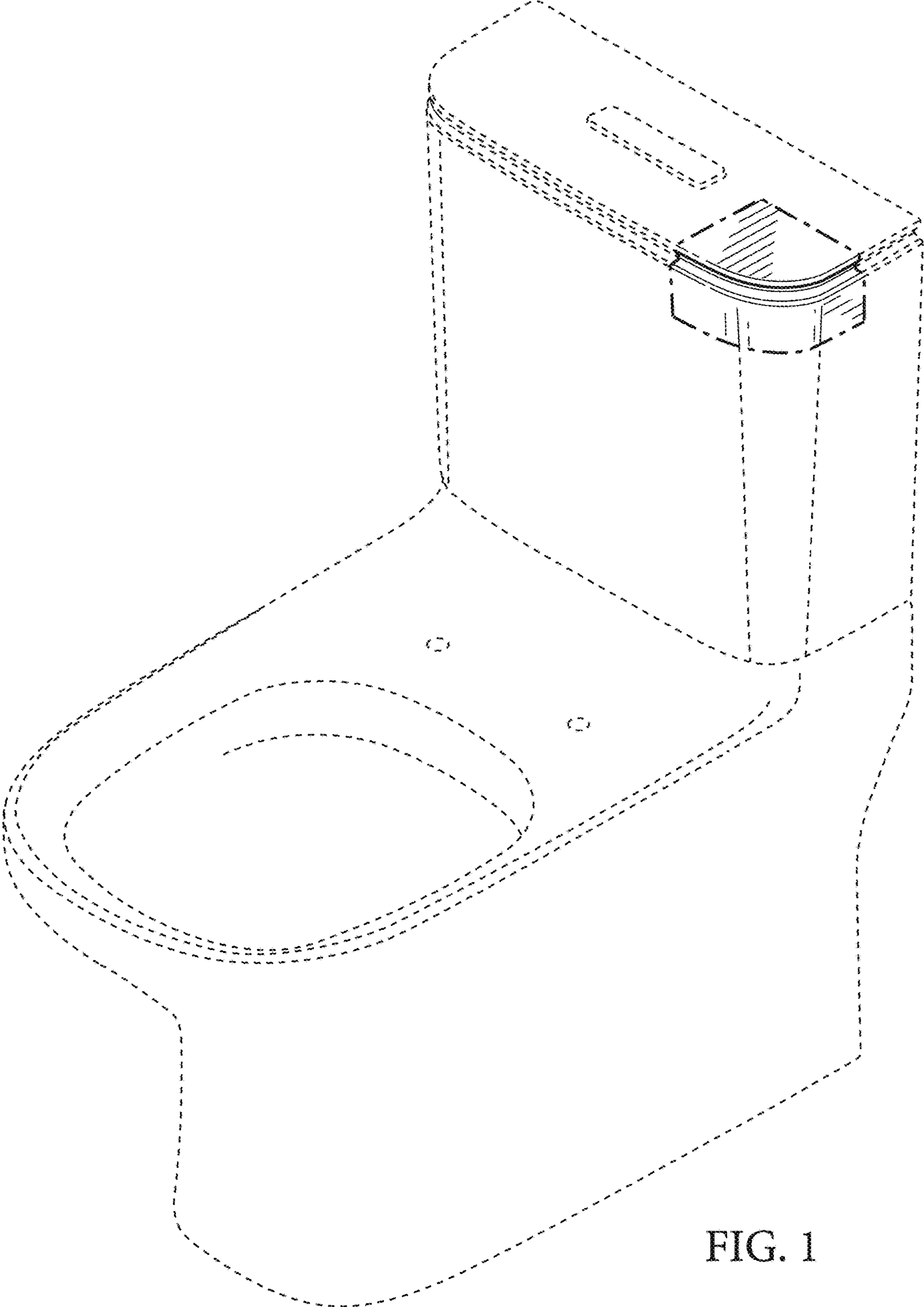


FIG. 1

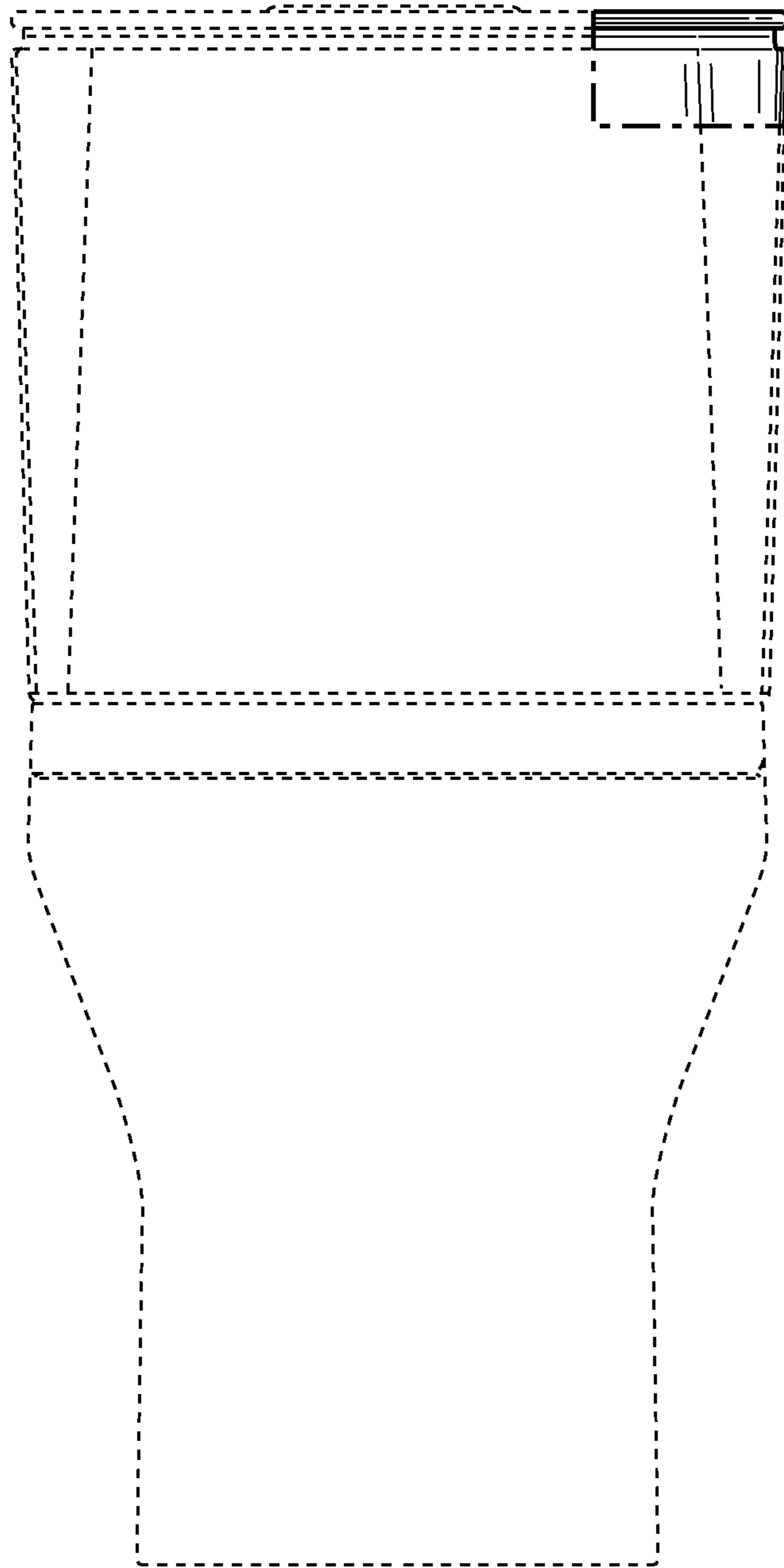


FIG. 2

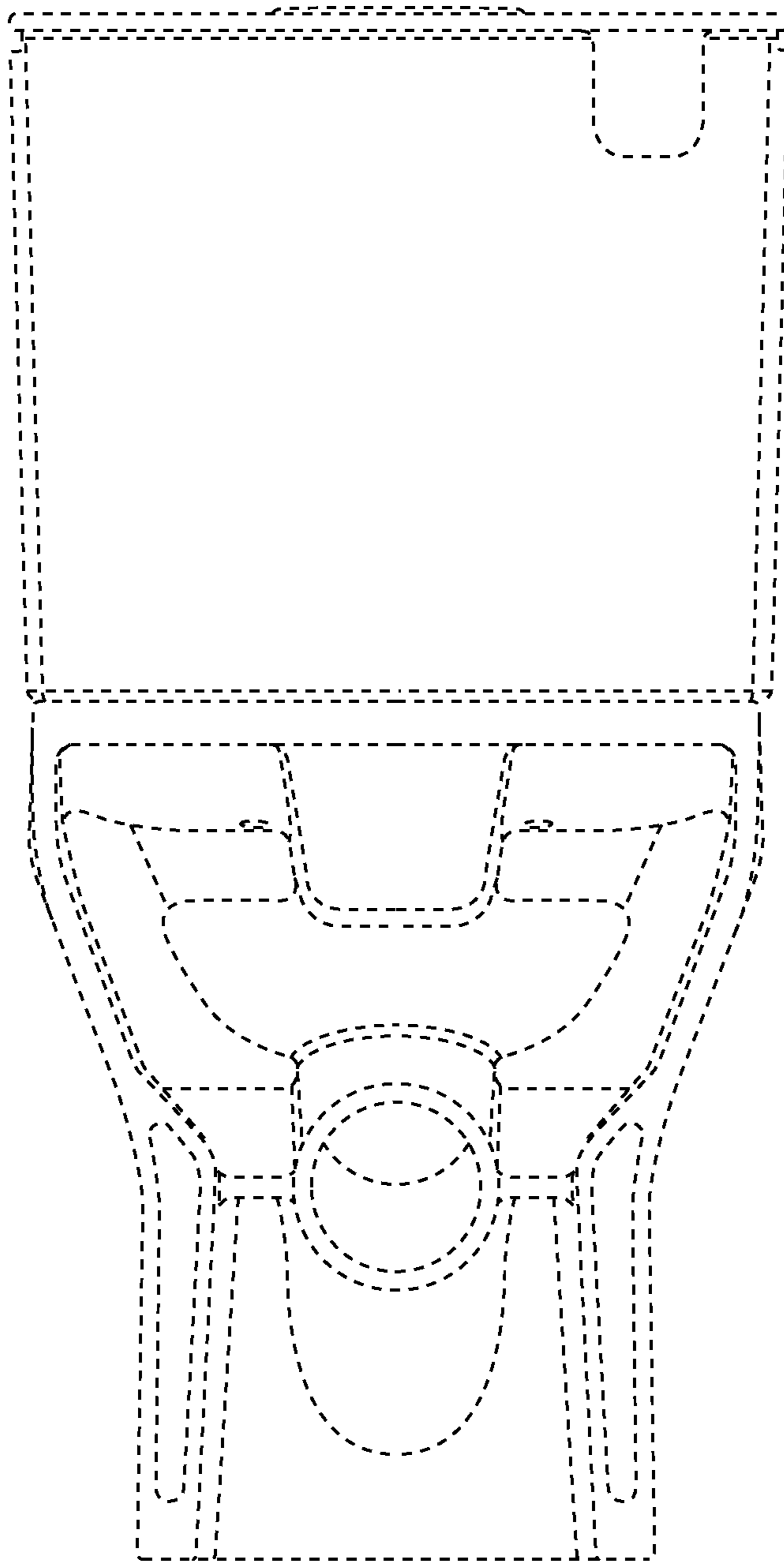


FIG. 3

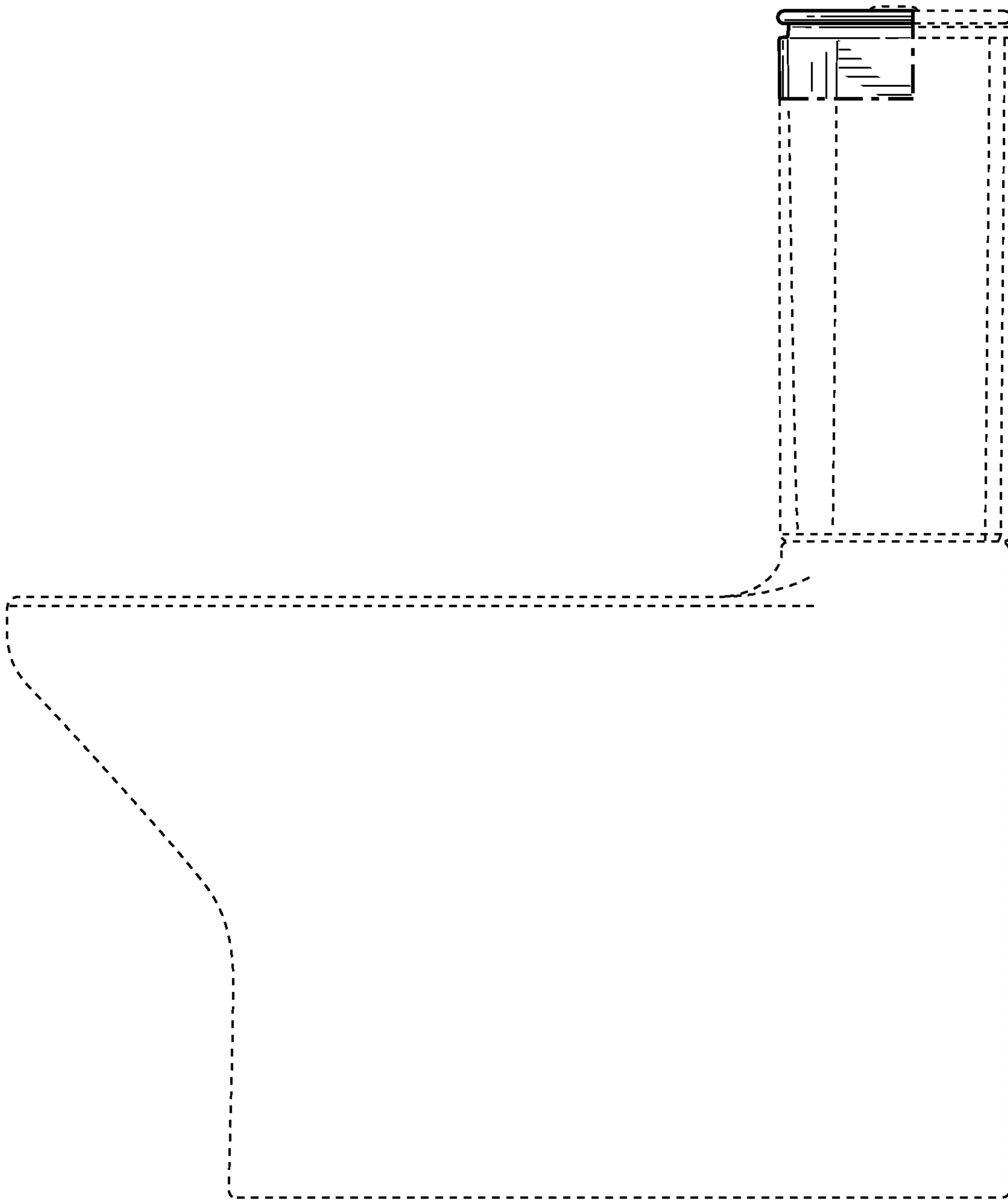


FIG. 4

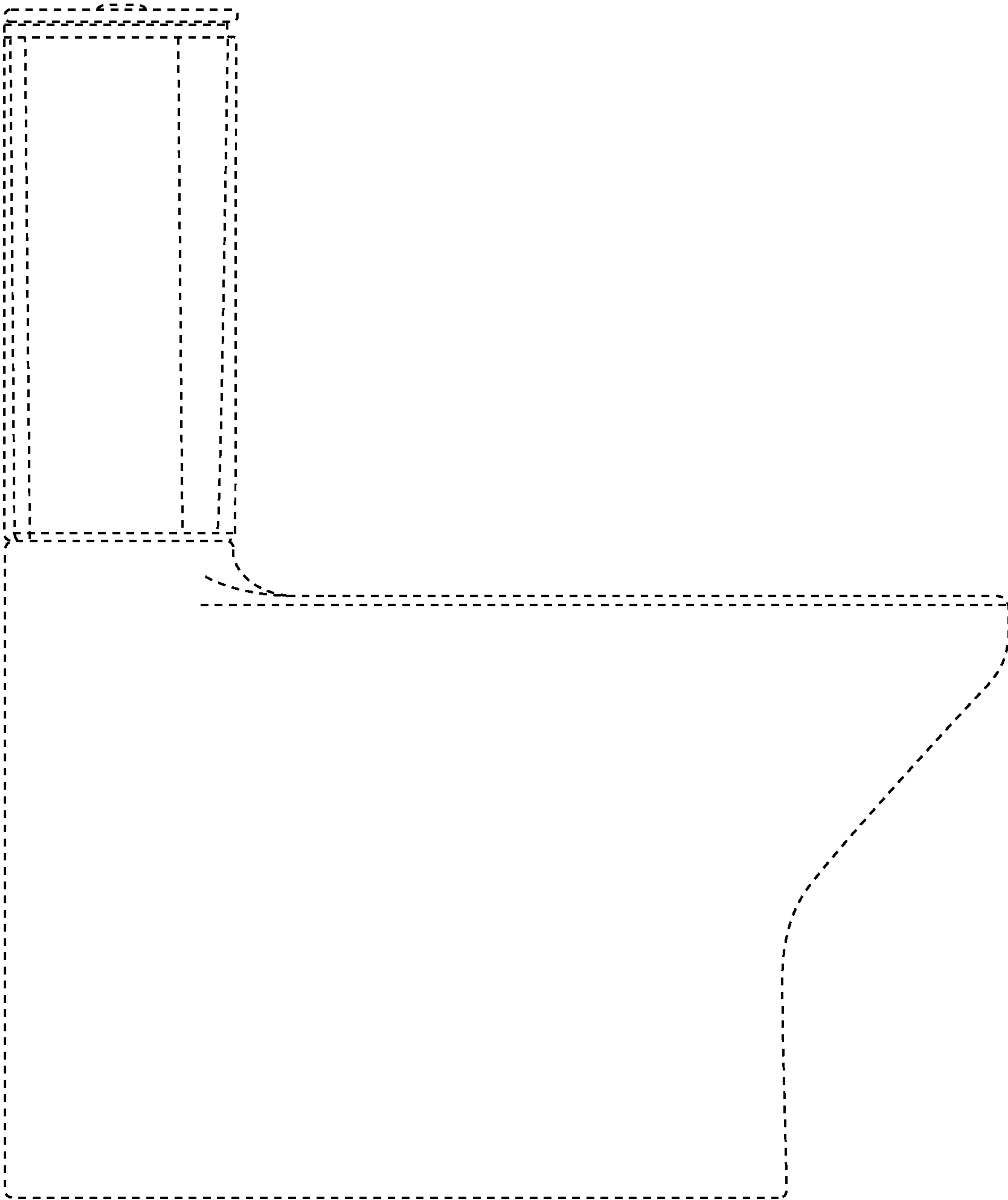


FIG. 5

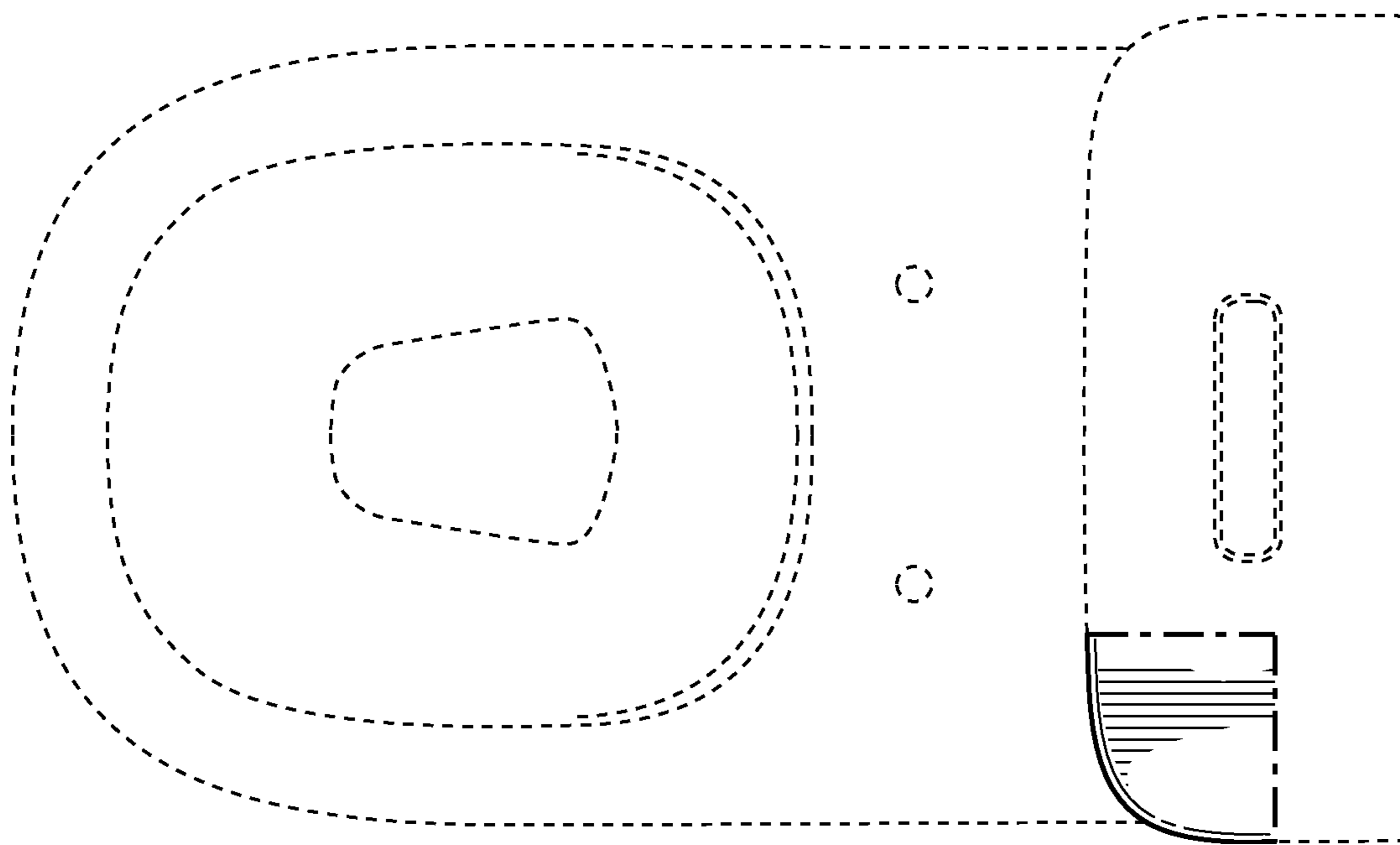


FIG. 6

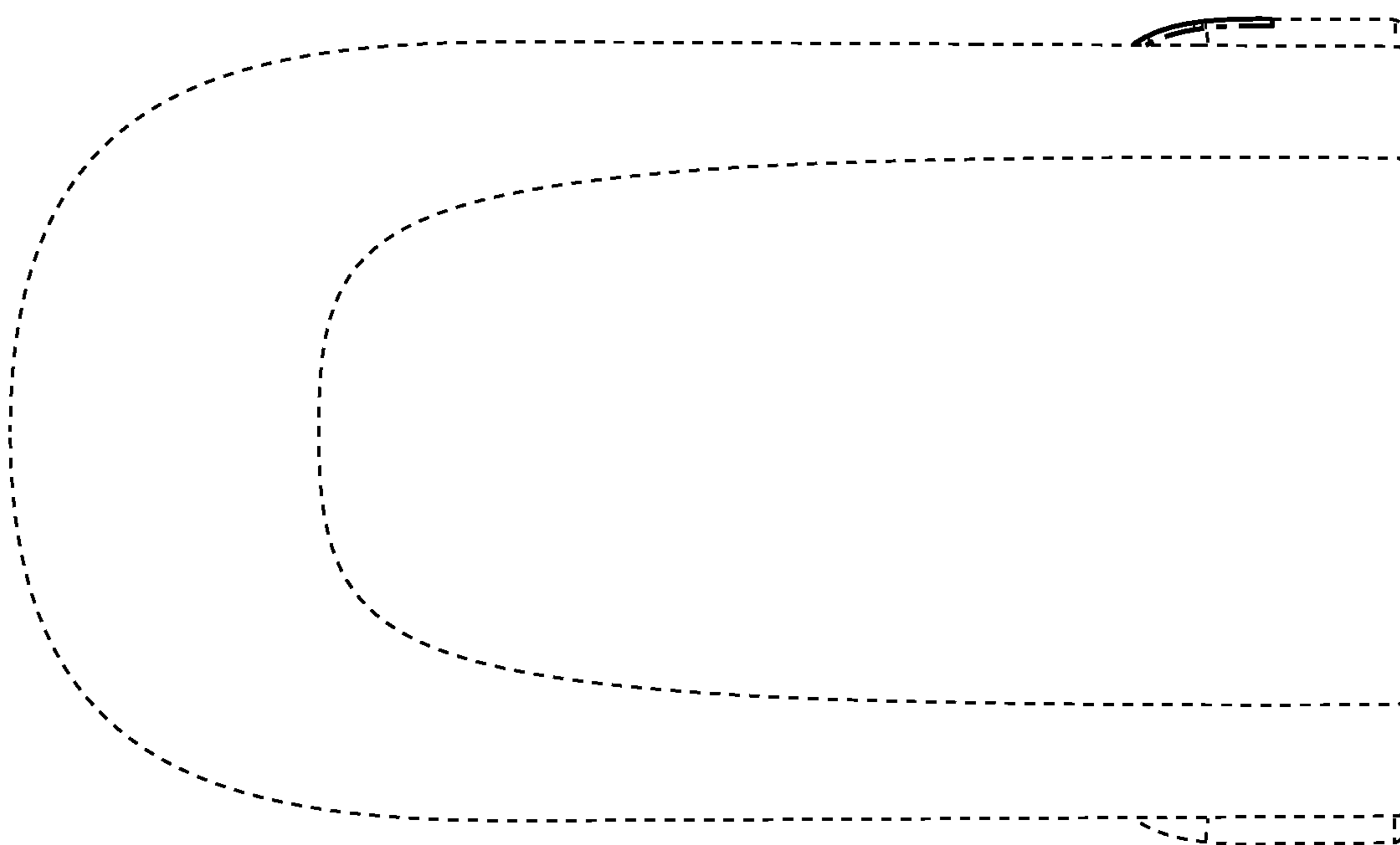


FIG. 7