



US00D925017S

(12) **United States Design Patent**
Liu

(10) **Patent No.:** **US D925,017 S**

(45) **Date of Patent:** **** Jul. 13, 2021**

(54) **SHOWER ARM DIVERTER WITH
HANDHELD SHOWER HEAD HOLDER**

(71) Applicant: **Qiping Liu**, Hunan (CN)

(72) Inventor: **Qiping Liu**, Hunan (CN)

(**) Term: **15 Years**

(21) Appl. No.: **29/778,574**

(22) Filed: **Apr. 14, 2021**

(30) **Foreign Application Priority Data**

Dec. 30, 2020 (CN) 202030822430.8

(51) **LOC (13) Cl.** **23-02**

(52) **U.S. Cl.**
USPC **D23/304**

(58) **Field of Classification Search**
USPC D23/304, 223, 226
CPC B05B 1/185; E03C 1/0409; E03C 1/06
See application file for complete search history.

(56) **References Cited**

U.S. PATENT DOCUMENTS

3,979,096	A *	9/1976	Zieger	E03C 1/06 248/75
4,091,998	A *	5/1978	Peterson	E03C 1/06 239/283
4,174,822	A *	11/1979	Larsson	E03C 1/06 248/75
4,674,687	A *	6/1987	Smith	B05B 1/30 239/447
D341,191	S *	11/1993	Klose	D23/223
D412,563	S *	8/1999	Milrud	D23/304
D517,179	S *	3/2006	Chan	D23/304
D587,357	S *	2/2009	Hoernig	D23/304
D605,731	S *	12/2009	Leber	D23/249
8,720,799	B2 *	5/2014	Tseng	E03C 1/06 239/443

D832,412	S *	10/2018	Nikles	D23/304
10,822,778	B1 *	11/2020	Ling	E03C 1/06
2006/0272086	A1 *	12/2006	Mesa	E03C 1/06 4/601
2008/0121771	A1 *	5/2008	Sen	E03C 1/06 248/229.11
2008/0169362	A1 *	7/2008	Kwan	E03C 1/06 239/442
2009/0289129	A1 *	11/2009	Qiu	E03C 1/06 239/550
2017/0157634	A1 *	6/2017	Johnson	B05B 1/18
2019/0366372	A1 *	12/2019	Fan	B05B 1/1681
2020/0078801	A1 *	3/2020	Lu	B05B 1/16
2020/0291626	A1 *	9/2020	Wu	E03C 1/0408

(Continued)

OTHER PUBLICATIONS

Shower Arm Diverter with Handshower Mount: <https://www.amazon.com/Diverter-Handshower-Bathroom-Universal-Replacement/dp/B08NH55PFY> (Year: 2020).*

Primary Examiner — Robert A Delehanty

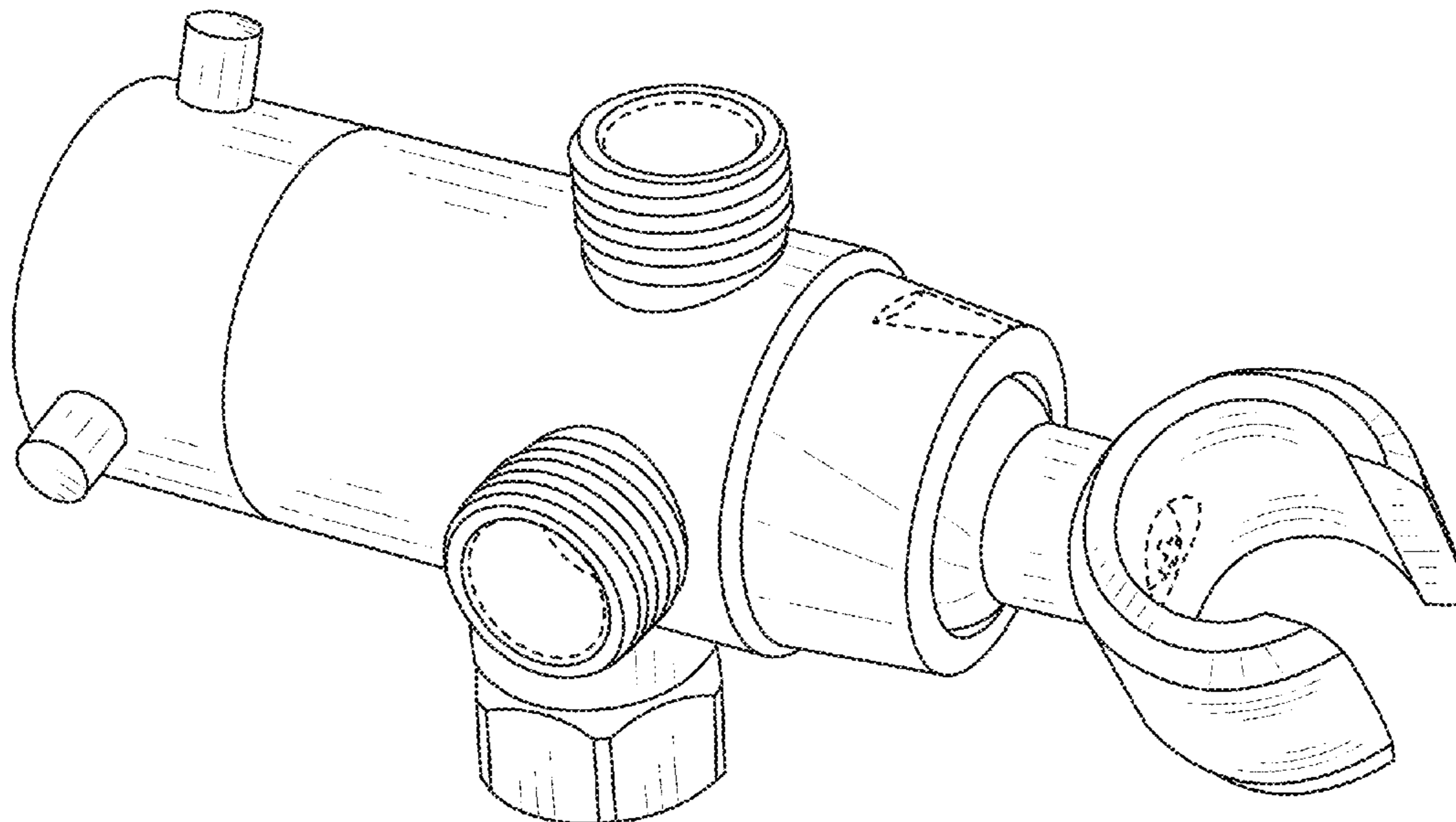
(57) **CLAIM**

The ornamental design for a shower arm diverter with handheld shower head holder, as shown and described.

DESCRIPTION

FIG. 1 is a perspective view of a shower arm diverter with handheld shower head holder showing my new design; FIG. 2 is a front elevational view thereof; FIG. 3 is a rear elevational view thereof; FIG. 4 is a left side elevational view thereof; FIG. 5 is a right side elevational view thereof; FIG. 6 is a top plan view thereof; and, FIG. 7 is a bottom plan view thereof. The broken lines throughout the drawing figures depict portions of the shower arm diverter with handheld shower head holder that form no part of the claimed design.

1 Claim, 7 Drawing Sheets



(56)

References Cited

U.S. PATENT DOCUMENTS

2020/0384486 A1* 12/2020 Ball B05B 1/18
2021/0023579 A1* 1/2021 Yu B05B 15/62
2021/0053083 A1* 2/2021 Zhuo B05B 15/62

* cited by examiner

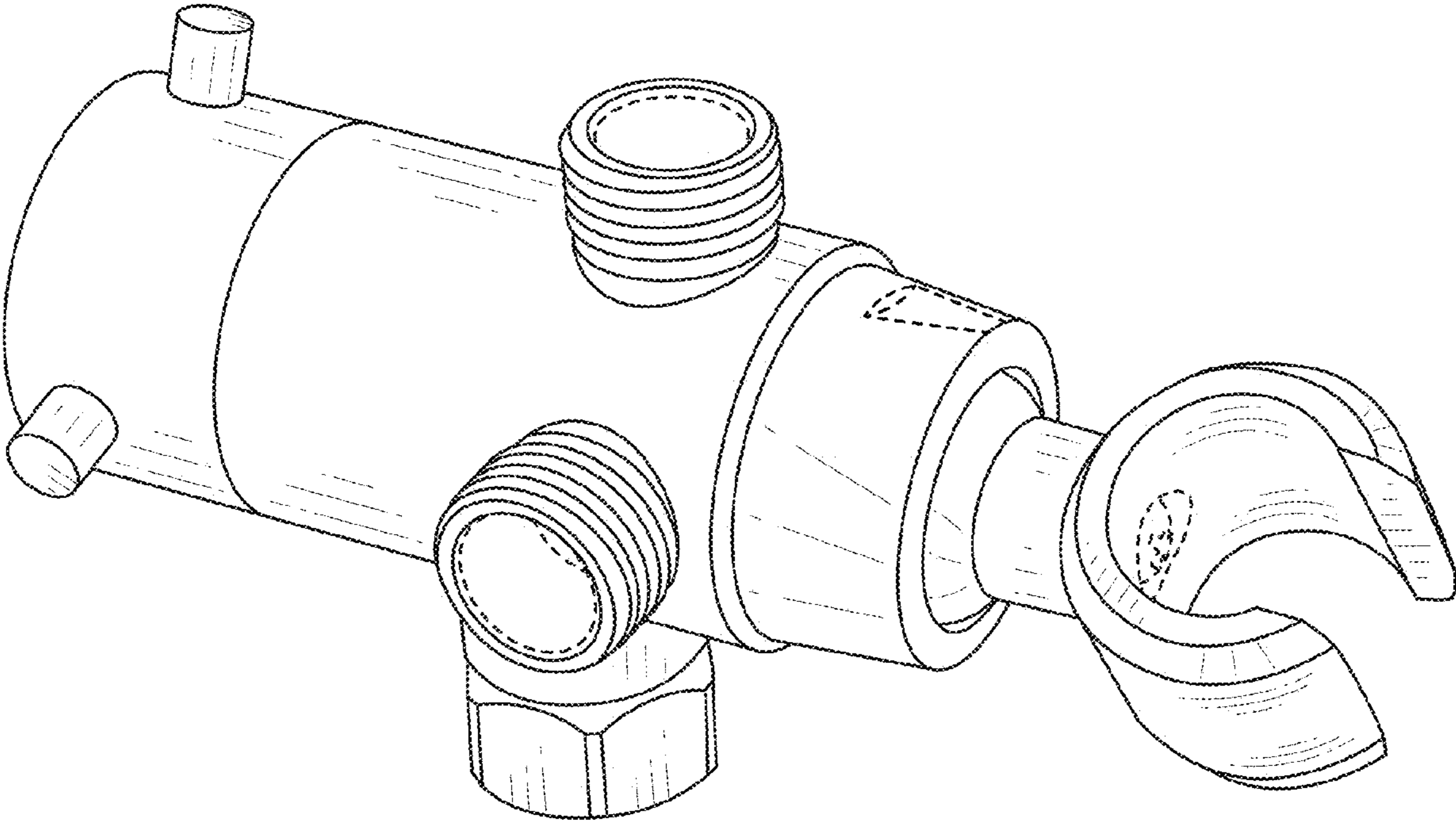


FIG.1

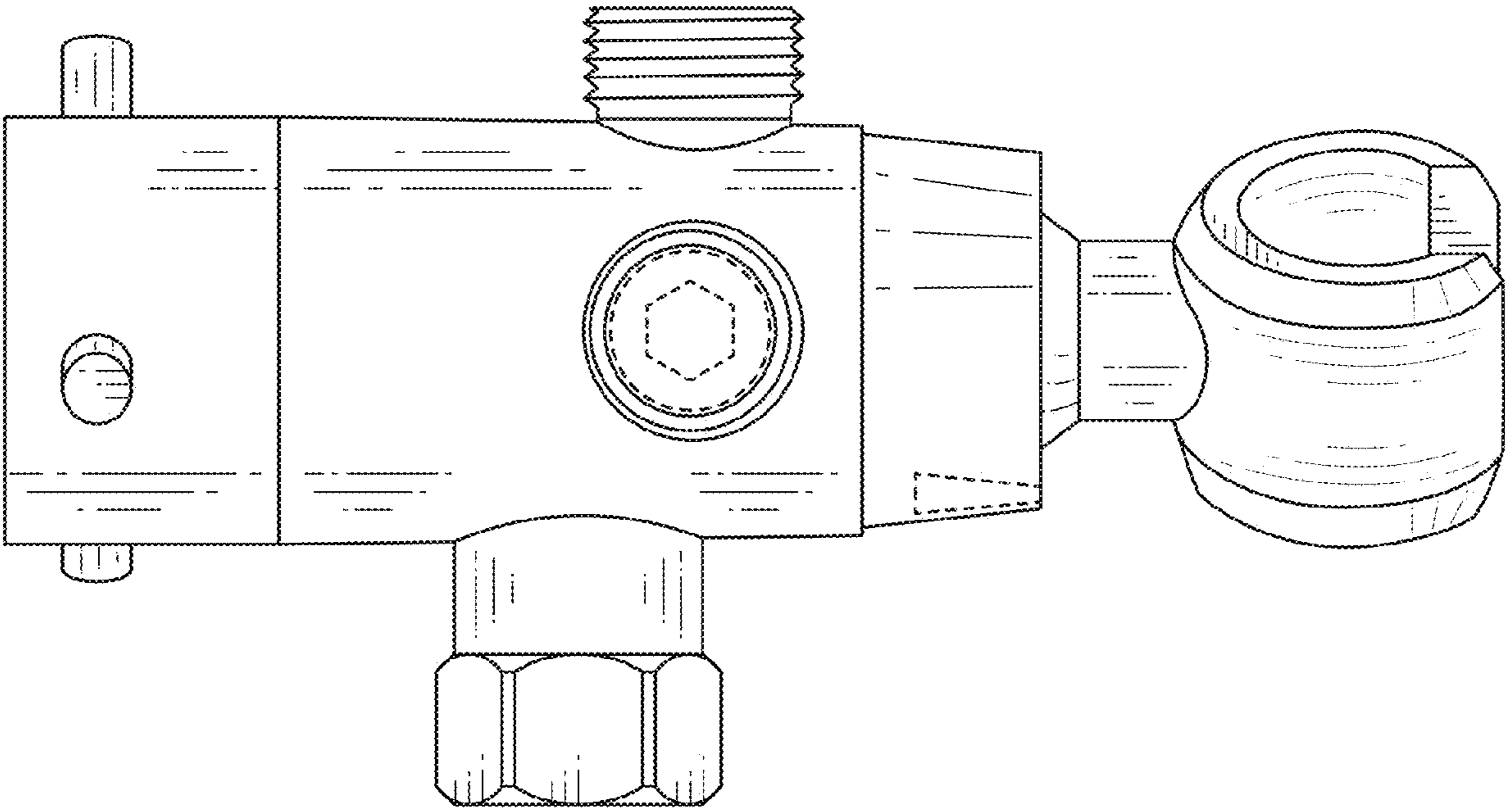


FIG.2

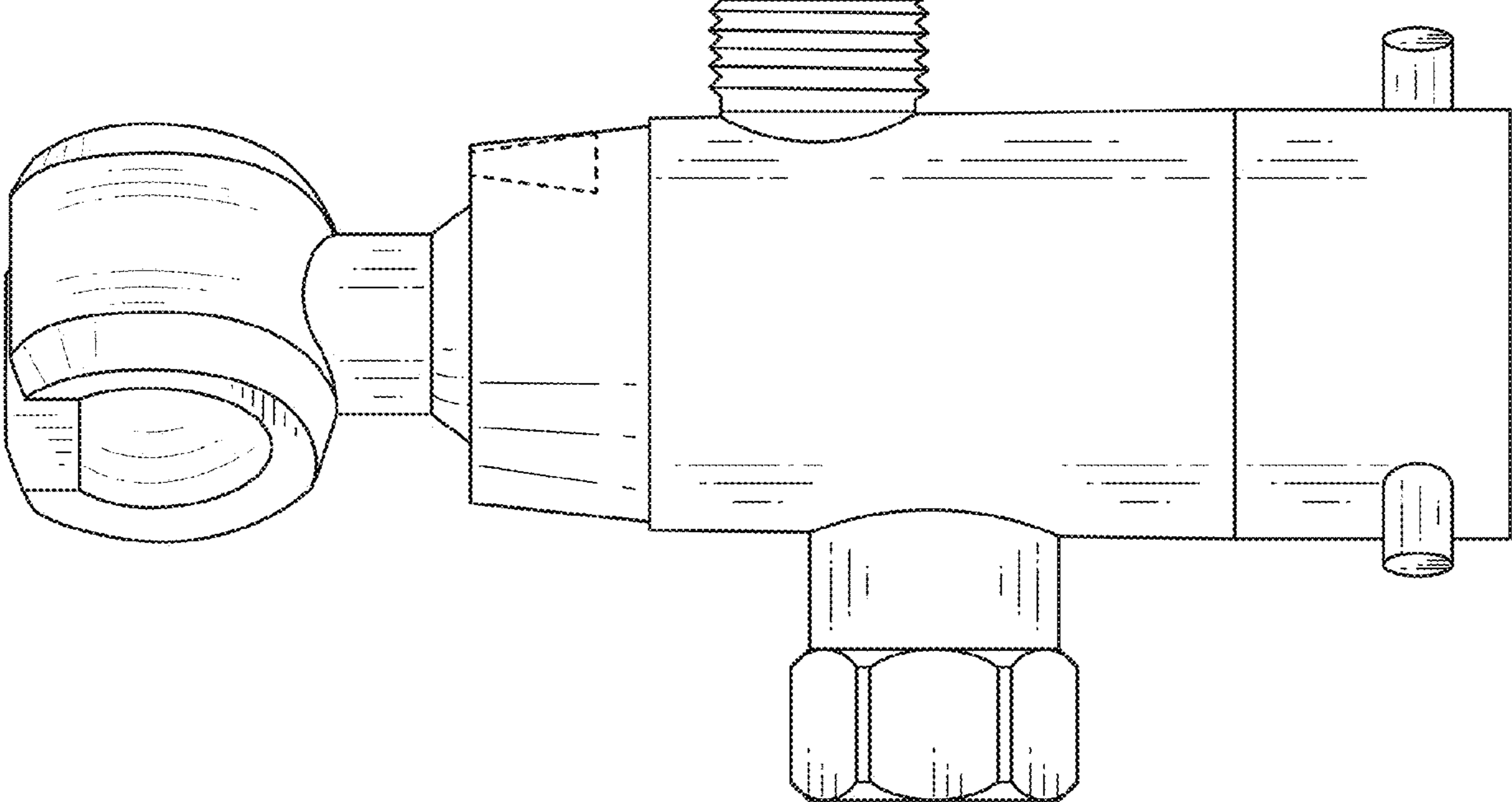


FIG.3

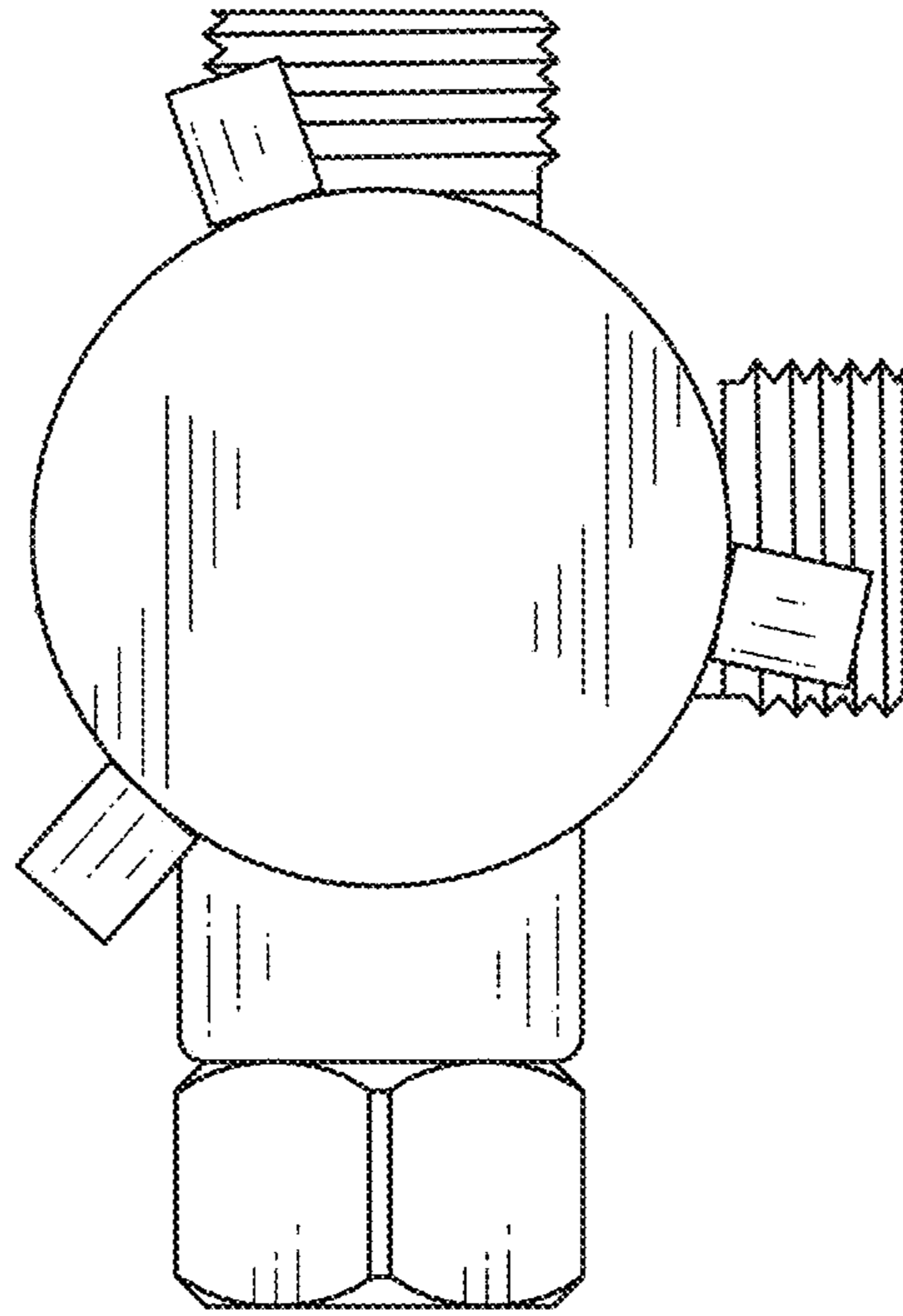


FIG.4

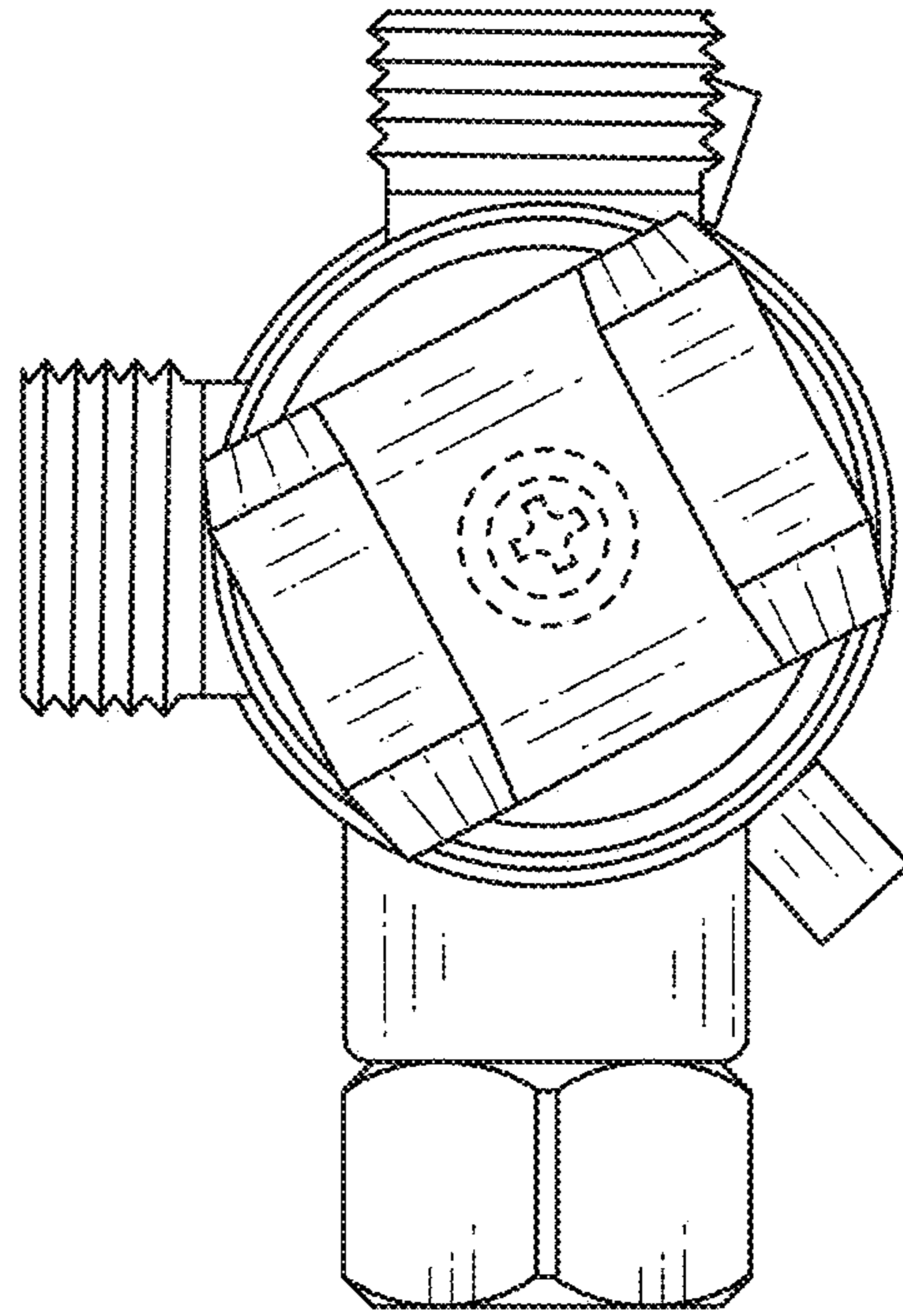


FIG.5

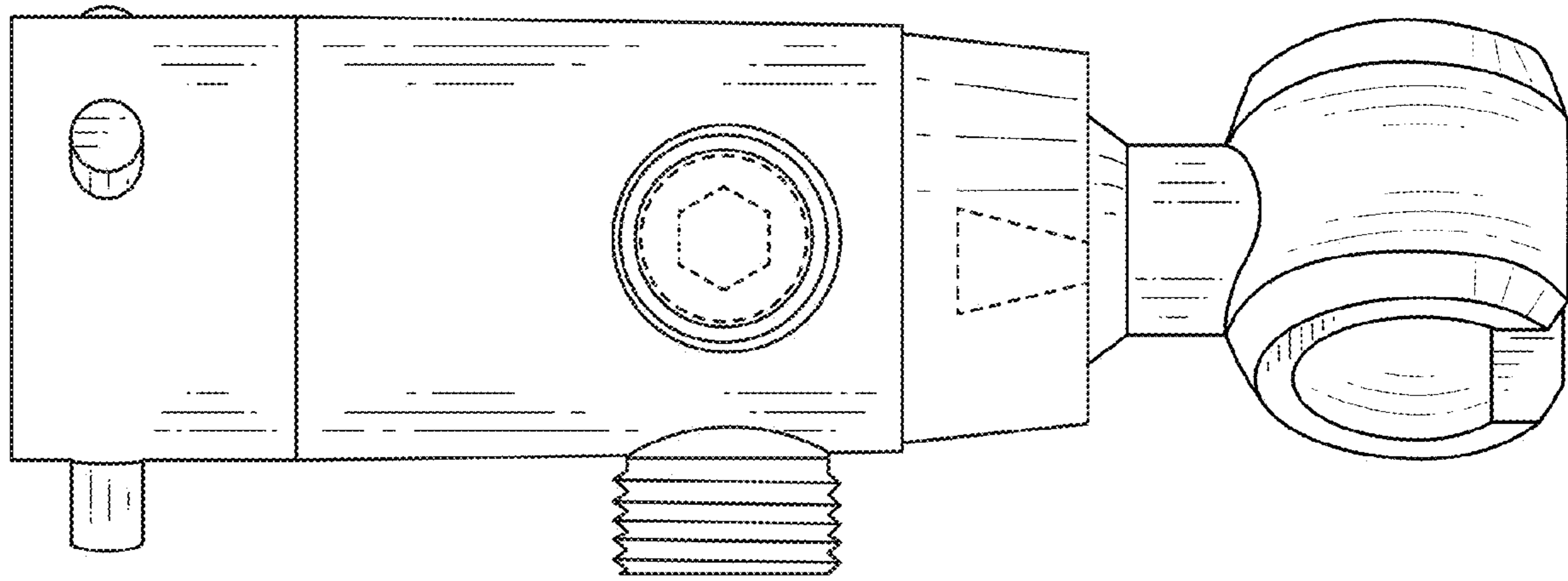


FIG.6

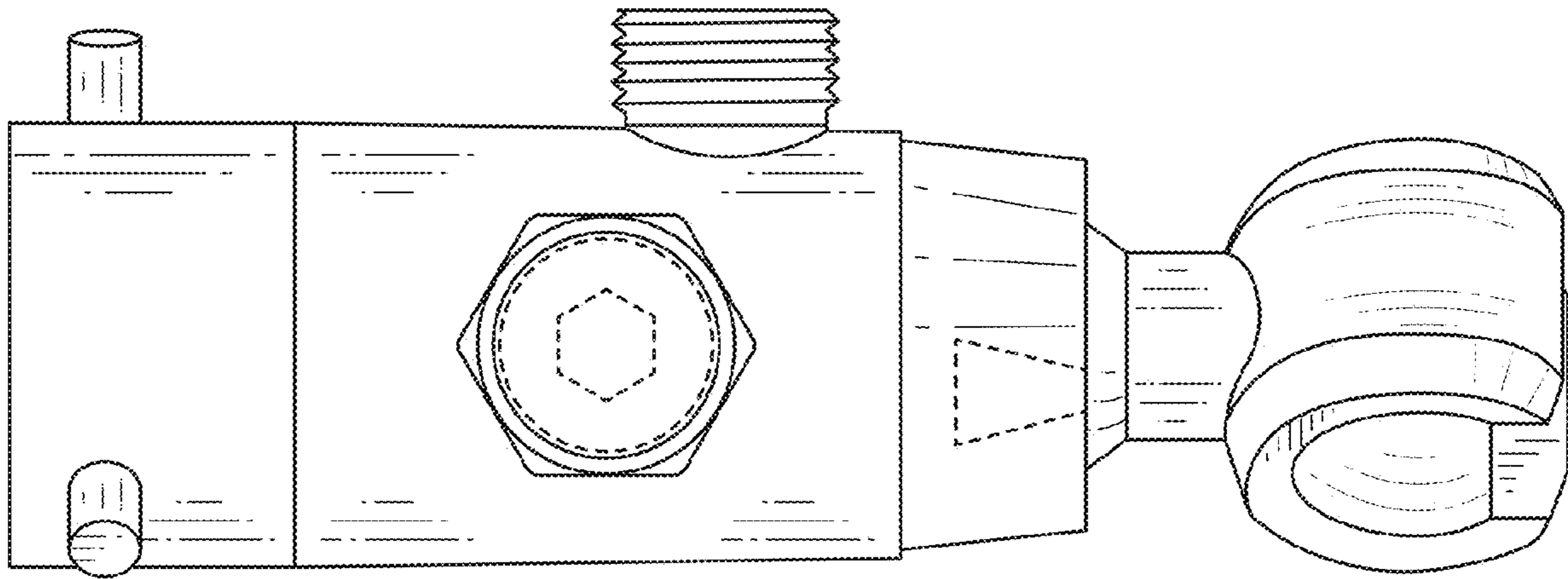


FIG. 7