



US00D925014S

(12) **United States Design Patent** (10) **Patent No.:** **US D925,014 S**  
**Eads** (45) **Date of Patent:** **\*\* Jul. 13, 2021**

- (54) **HANSHOWER HOLDER**
- (71) Applicant: **DELTA FAUCET COMPANY**,  
Indianapolis, IN (US)
- (72) Inventor: **Thad Eads**, Urbana, IN (US)
- (73) Assignee: **DELTA FAUCET COMPANY**,  
Indianapolis, IN (US)
- (\*\*) Term: **15 Years**
- (21) Appl. No.: **29/683,452**
- (22) Filed: **Mar. 13, 2019**
- (51) **LOC (13) Cl.** ..... **23-02**
- (52) **U.S. Cl.**  
USPC ..... **D23/304**
- (58) **Field of Classification Search**  
USPC ..... D23/304  
CPC ..... B05B 1/185; E03C 1/0409  
See application file for complete search history.

- (56) **References Cited**
- U.S. PATENT DOCUMENTS
- |            |   |         |            |       |         |
|------------|---|---------|------------|-------|---------|
| D341,191 S | * | 11/1993 | Klose      | ..... | D6/524  |
| D553,404 S | * | 10/2007 | Rexach     | ..... | D6/524  |
| D587,357 S | * | 2/2009  | Hoernig    | ..... | D23/304 |
| D746,964 S | * | 1/2016  | Schoenherr | ..... | D23/304 |
| D832,412 S | * | 10/2018 | Nikles     | ..... | D23/304 |
| D898,555 S | * | 10/2020 | LaPoint    | ..... | D23/304 |
| D902,357 S | * | 11/2020 | Eads       | ..... | D23/255 |

- 2013/0340854 A1\* 12/2013 Quinn ..... E03C 1/0409  
137/343
- 2019/0366372 A1\* 12/2019 Fan ..... B05B 1/185
- 2021/0023579 A1\* 1/2021 Yu ..... B05B 15/62

**OTHER PUBLICATIONS**

Rainshower Wall Hand Shower Holder by Grohe: <https://www.homedepot.com/p/GROHE-Rainshower-Wall-Hand-Shower-Holder-in-Starlight-Chrome-27074000/311239521> (Year: 2020).\*

\* cited by examiner

*Primary Examiner* — Robert A Delehanty  
(74) *Attorney, Agent, or Firm* — Nirav D. Parikh; Edgar A. Zarins

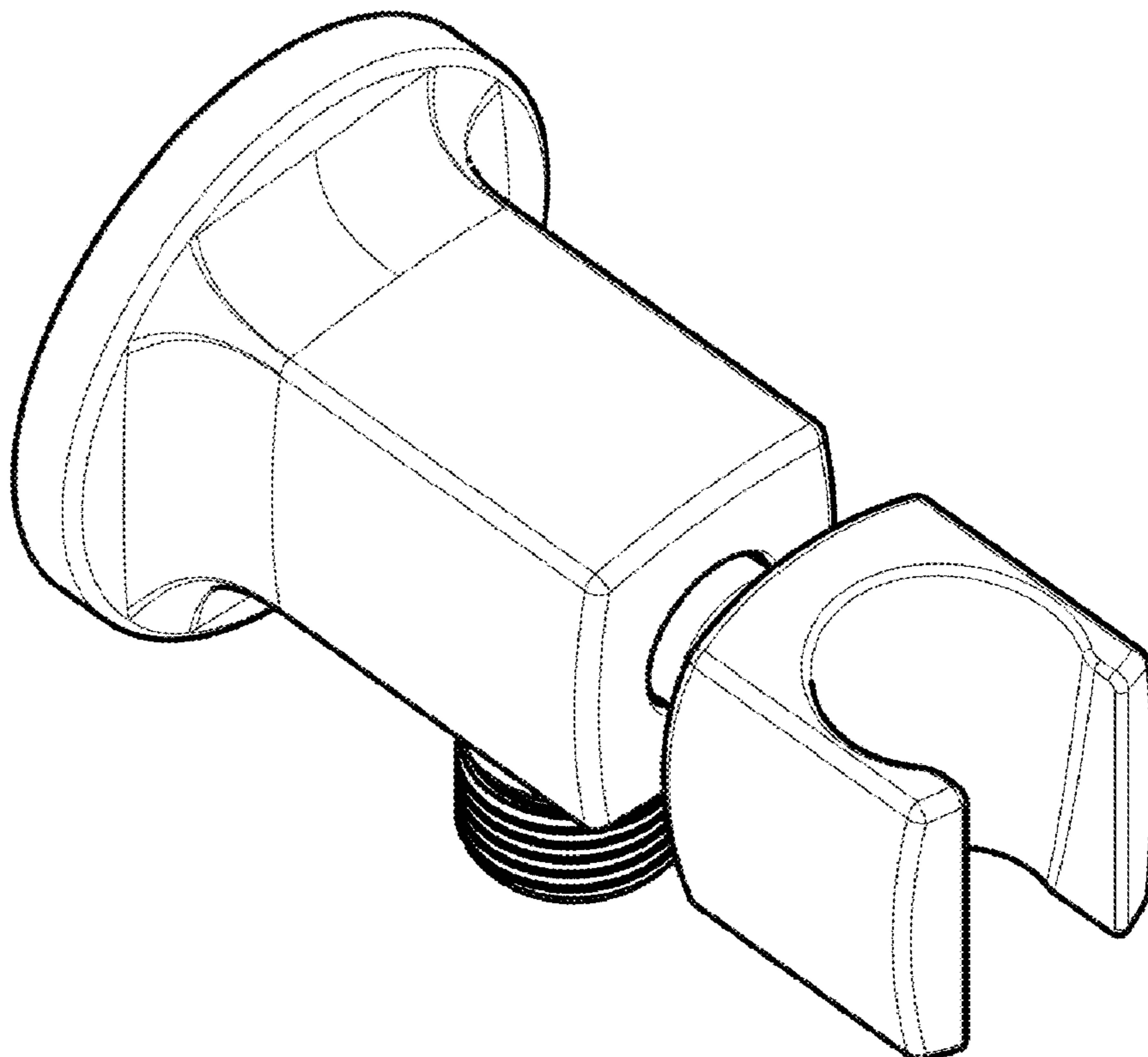
(57) **CLAIM**

The ornamental design for a handshower holder, as shown and described.

**DESCRIPTION**

FIG. 1 is a front perspective view of a handshower holder showing my new design;  
FIG. 2 is a rear perspective view thereof;  
FIG. 3 is a front elevational view thereof;  
FIG. 4 is a left side view thereof;  
FIG. 5 is a rear view thereof;  
FIG. 6 is a right side view thereof;  
FIG. 7 is a top plan view thereof; and,  
FIG. 8 is a bottom view thereof.

**1 Claim, 4 Drawing Sheets**



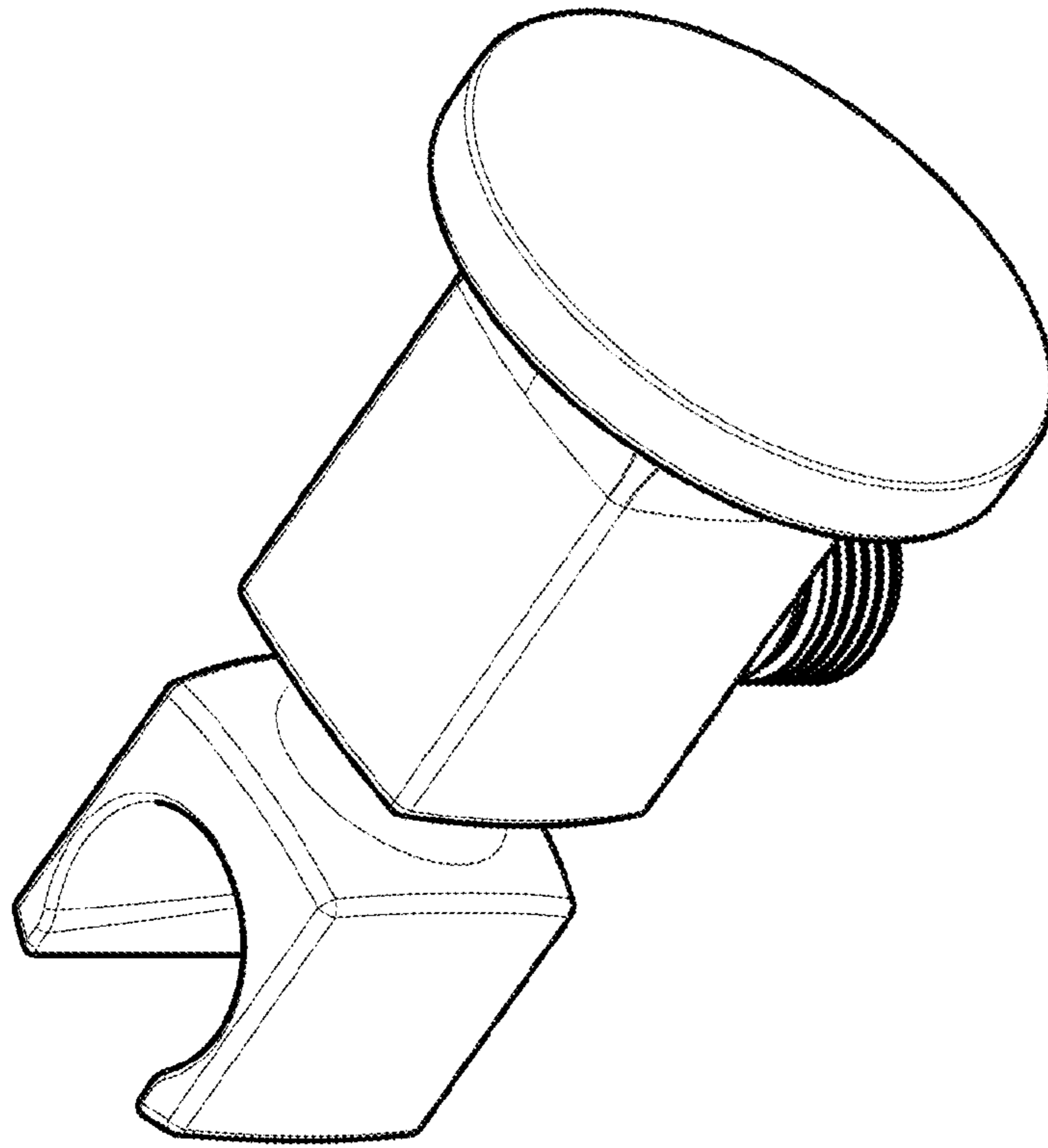


FIG - 2

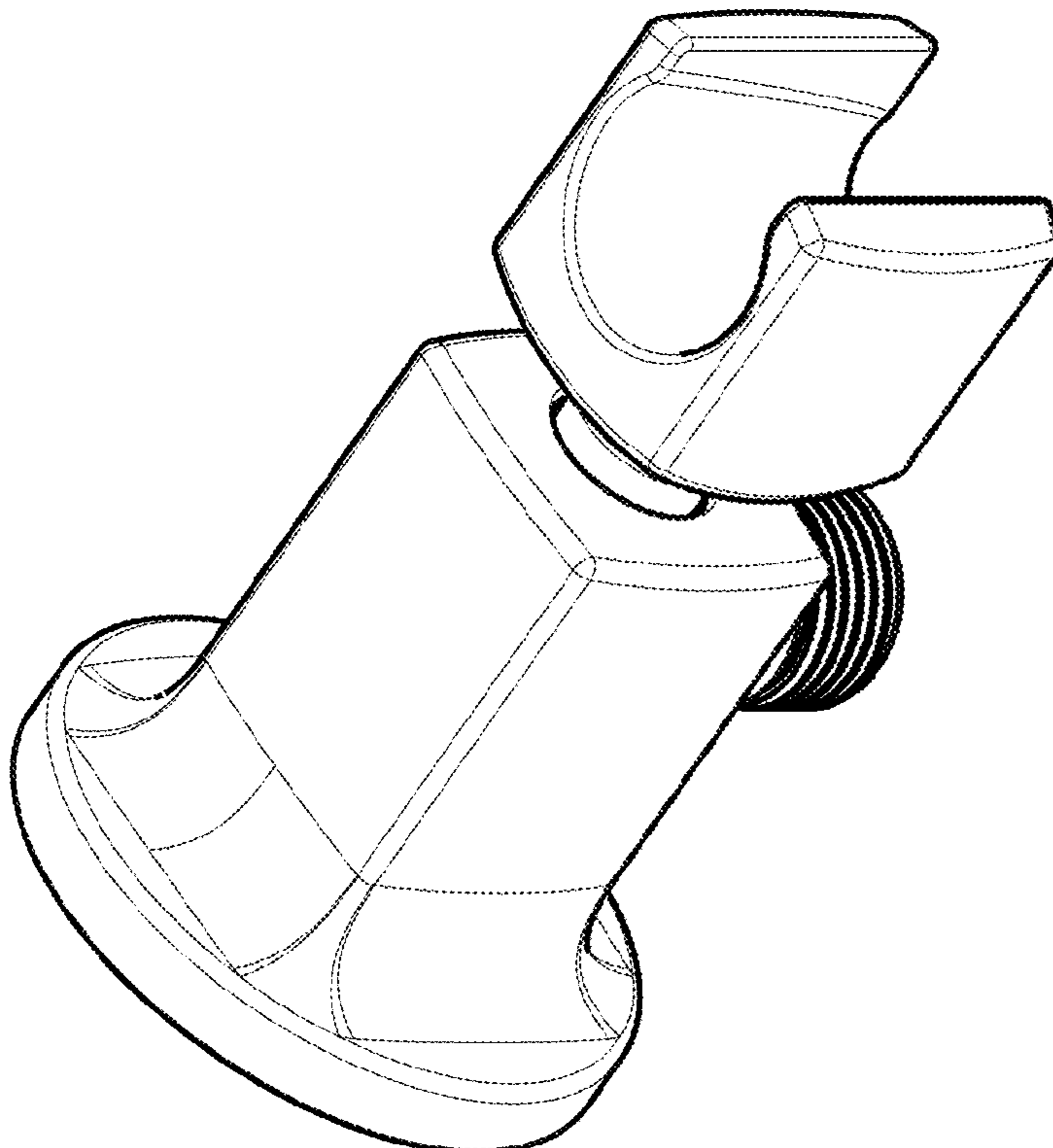


FIG - 1

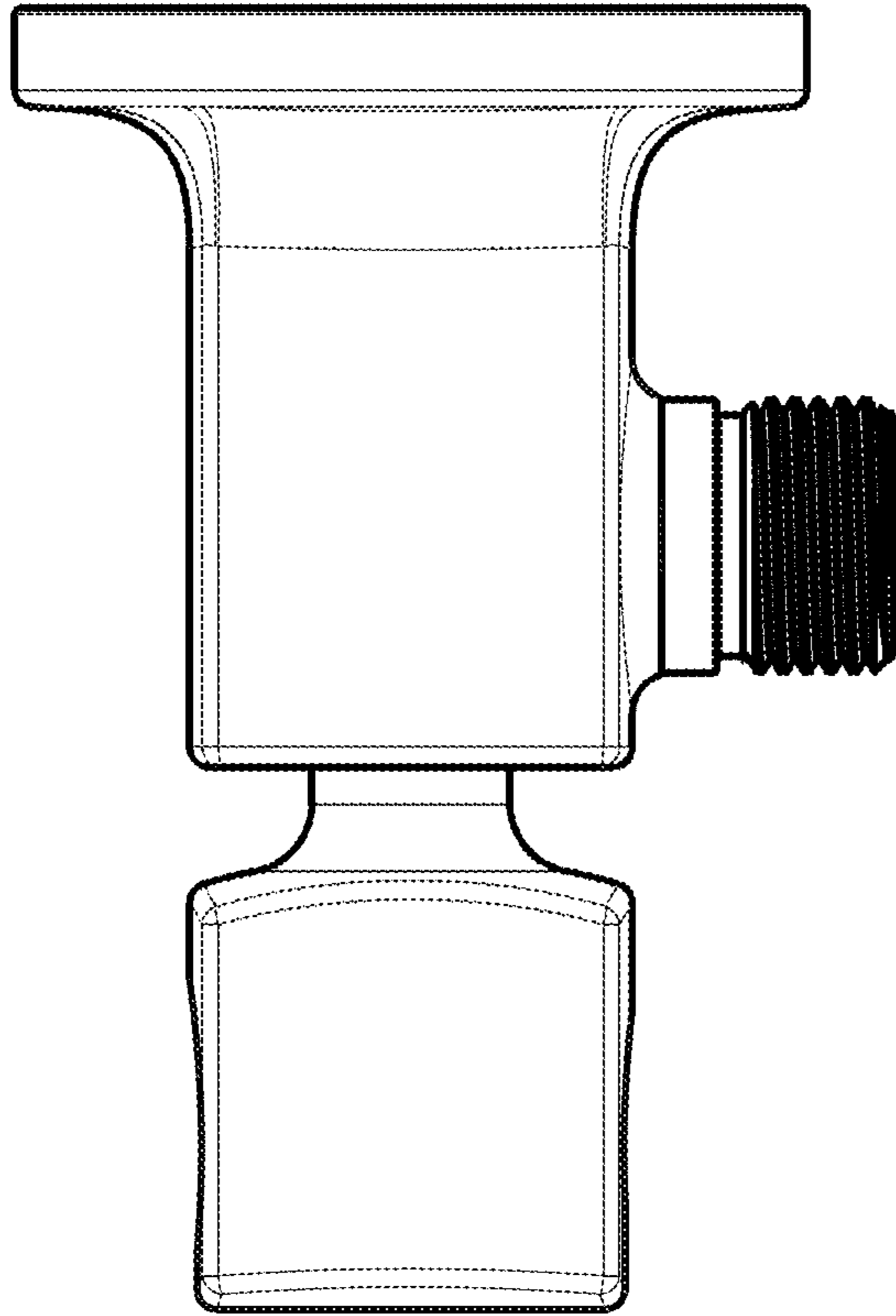


FIG - 4

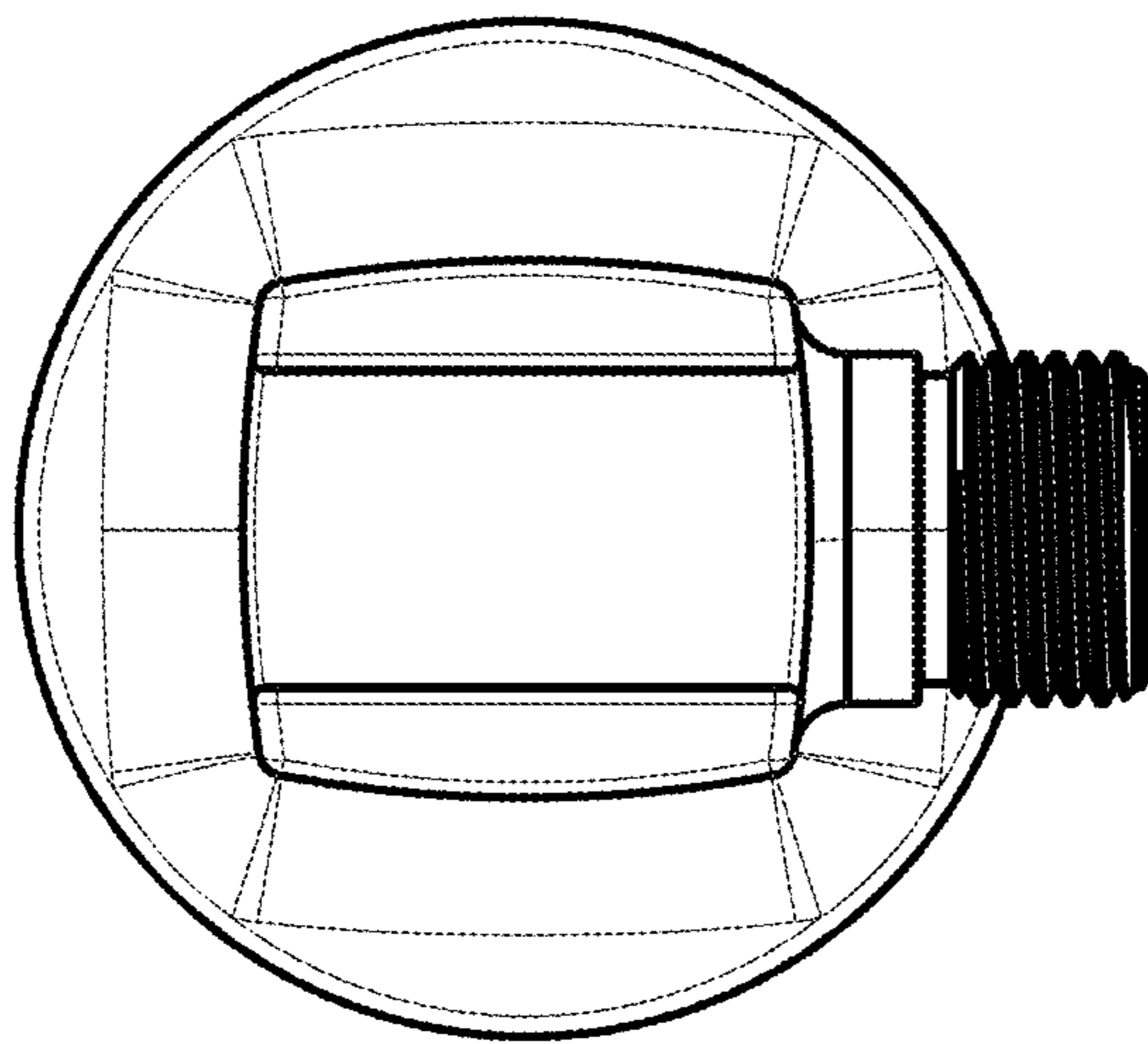


FIG - 3

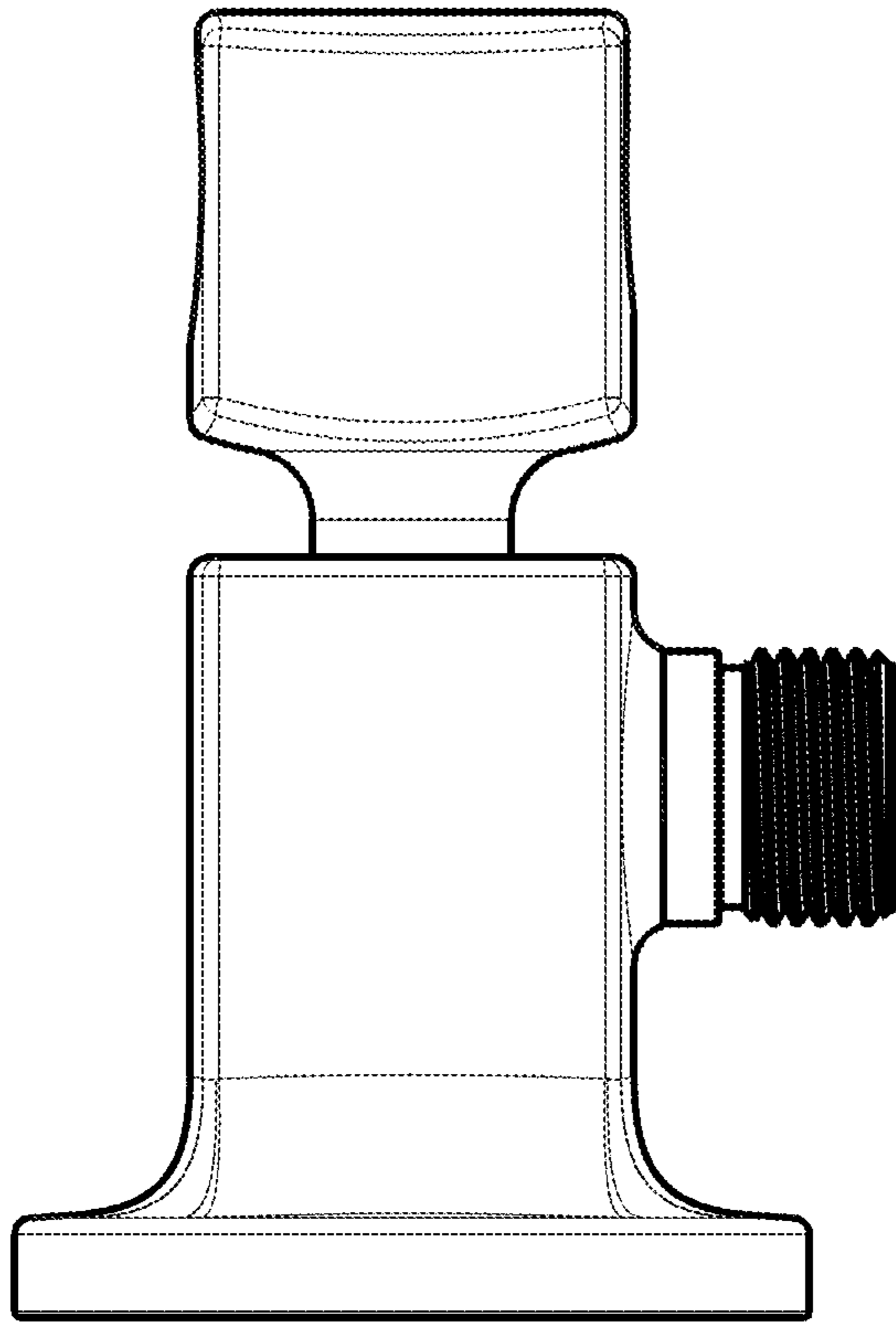


FIG - 6

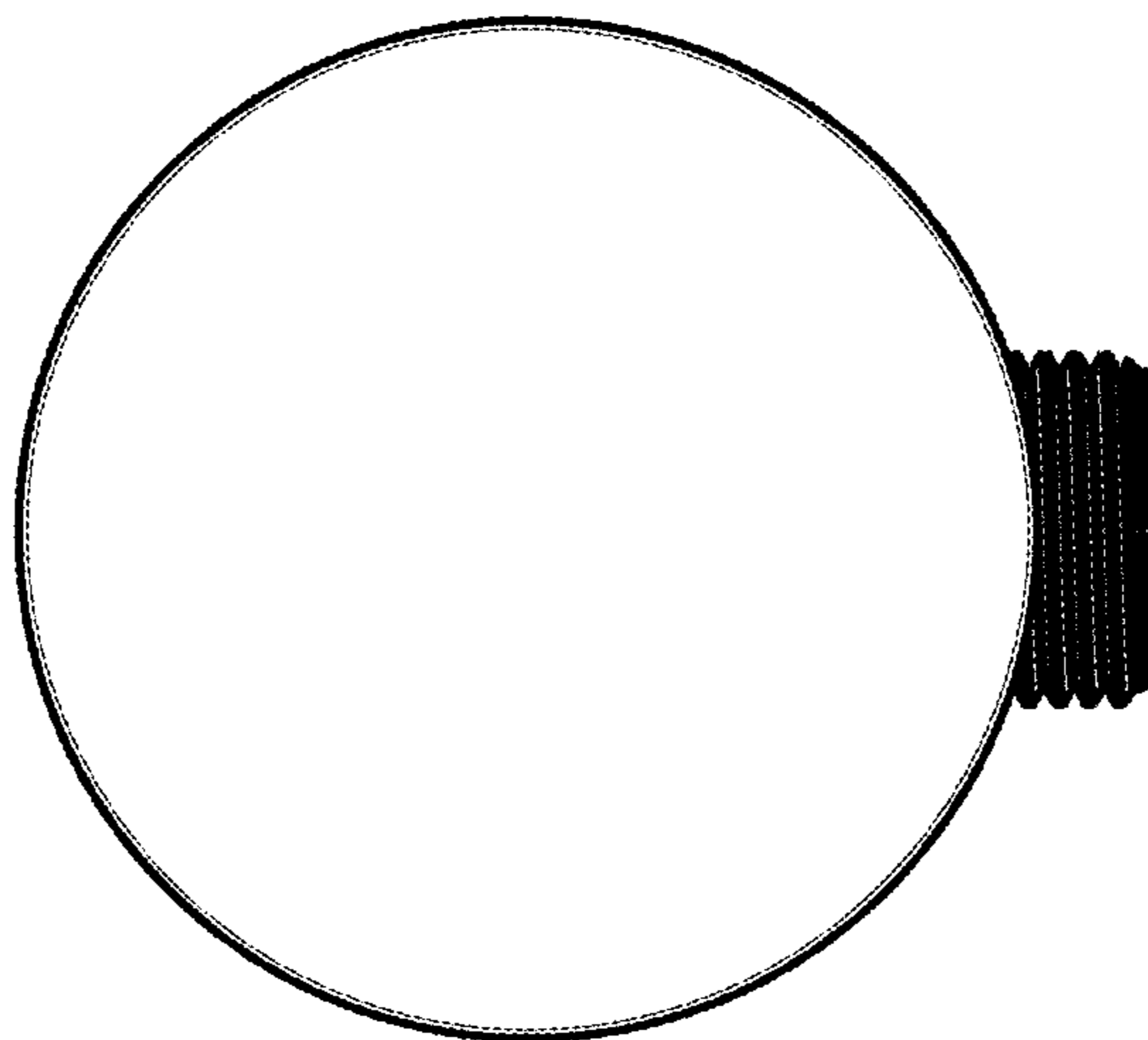


FIG - 5

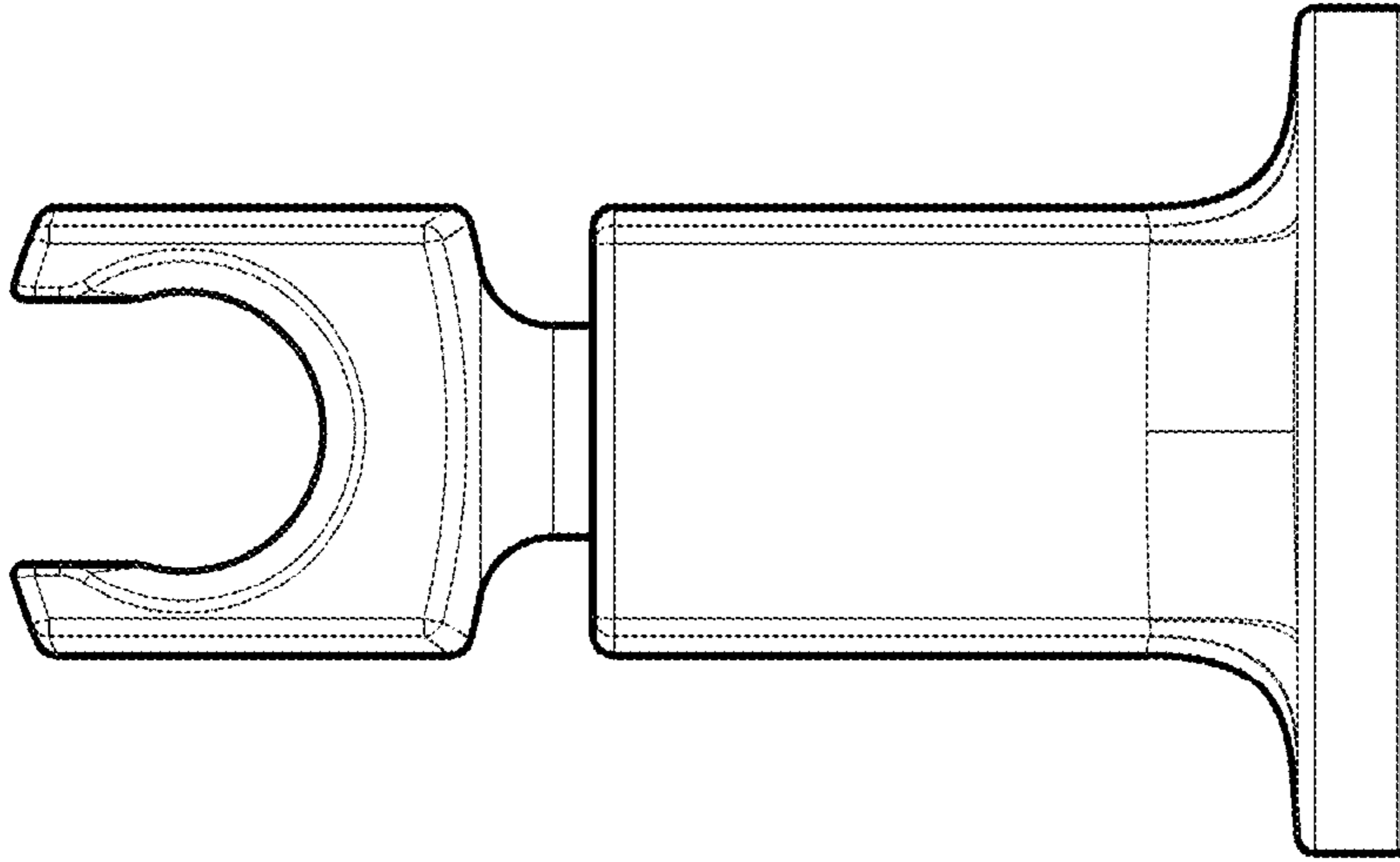


FIG - 8

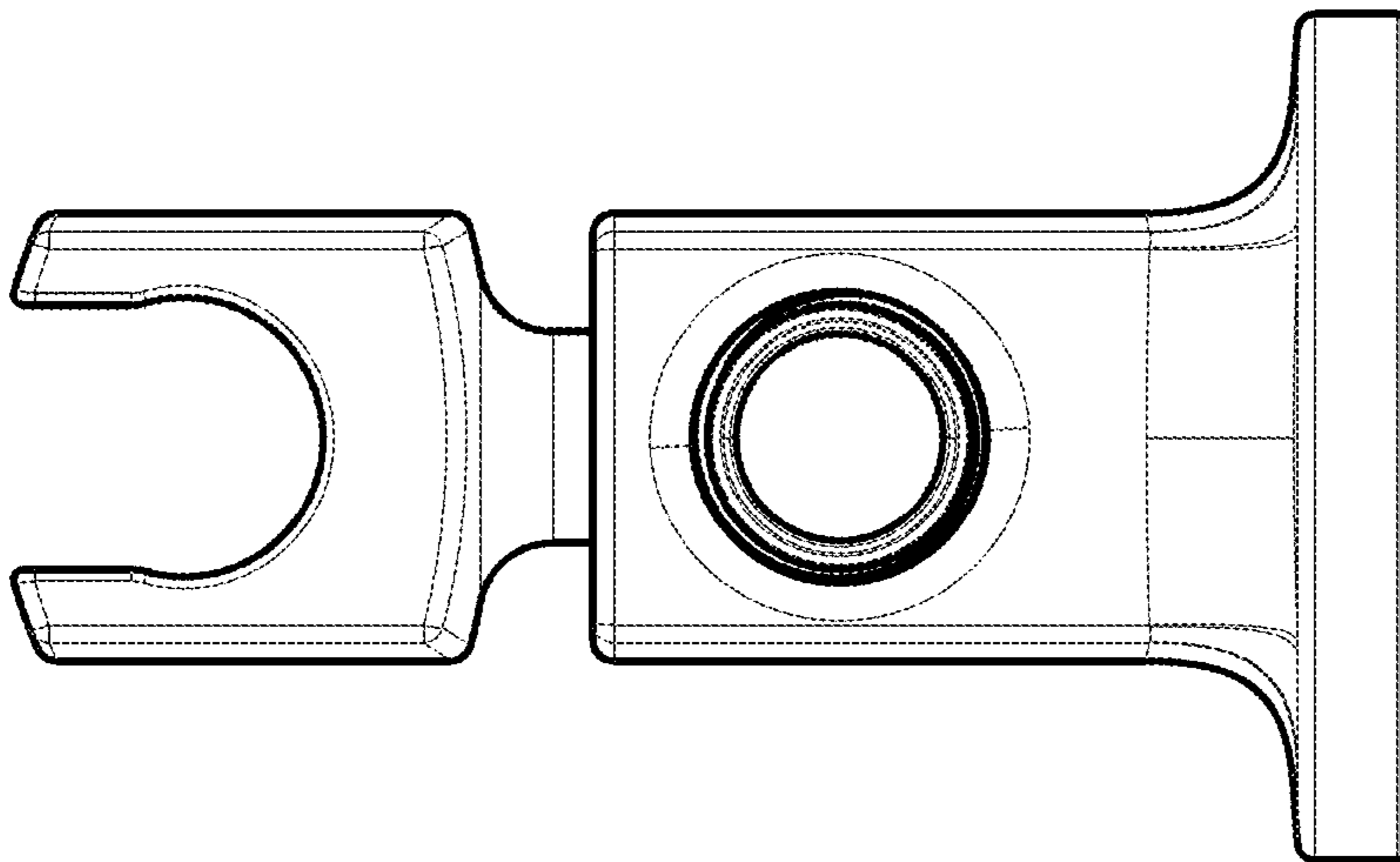


FIG - 7