



US00D925010S

(12) **United States Design Patent**  
**Jiang**

(10) **Patent No.:** **US D925,010 S**

(45) **Date of Patent:** **\*\* Jul. 13, 2021**

(54) **SILICONE GEL FLOOR DRAIN**  
(71) Applicant: **Yulu Jiang**, Cixi (CN)  
(72) Inventor: **Yulu Jiang**, Cixi (CN)  
(73) Assignee: **Milan Security Ware Company Limited**, Cixi (CN)  
(\*\*) Term: **15 Years**

(21) Appl. No.: **29/712,153**

(22) Filed: **Nov. 6, 2019**

(51) **LOC (13) Cl.** ..... **23-01**

(52) **U.S. Cl.**  
USPC ..... **D23/261**

(58) **Field of Classification Search**  
USPC ..... D23/259-262, 268-269; 4/252.1,  
4/252.4-252.5, 680-681, 686; 285/58,  
285/56; 137/362  
CPC ..... F16J 15/00; E03D 13/14  
See application file for complete search history.

(56) **References Cited**

**U.S. PATENT DOCUMENTS**

3,967,836 A \* 7/1976 Izzi, Sr. .... E03D 11/16  
285/12  
D280,925 S \* 10/1985 Farnen ..... 137/247.29  
4,562,602 A \* 1/1986 Cuschera ..... E03C 1/22  
285/136.1  
6,442,769 B1 \* 9/2002 Phillips ..... E03D 11/16  
4/252.1

D529,144 S \* 9/2006 McAlpine ..... D23/268  
D552,719 S 10/2007 Petner et al.  
D553,226 S \* 10/2007 Wisek ..... D23/268  
D580,530 S \* 11/2008 McAlpine ..... D23/268  
D655,399 S \* 3/2012 Rodriguez ..... D23/261  
D699,819 S 2/2014 Tung  
D745,115 S \* 12/2015 Kuang ..... D23/261  
D749,707 S \* 2/2016 Kuang ..... D23/263  
D799,647 S \* 10/2017 Towers ..... D23/268  
D800,277 S 10/2017 Makinen et al.  
D811,558 S 2/2018 Howson  
2011/0035867 A1 \* 2/2011 Coronado ..... F16L 47/26  
4/252.4  
2014/0319821 A1 \* 10/2014 Todd ..... F16L 13/116  
285/184

\* cited by examiner

*Primary Examiner* — Amy C Wierenga  
(74) *Attorney, Agent, or Firm* — Minder Law Group;  
Willy H. Wong

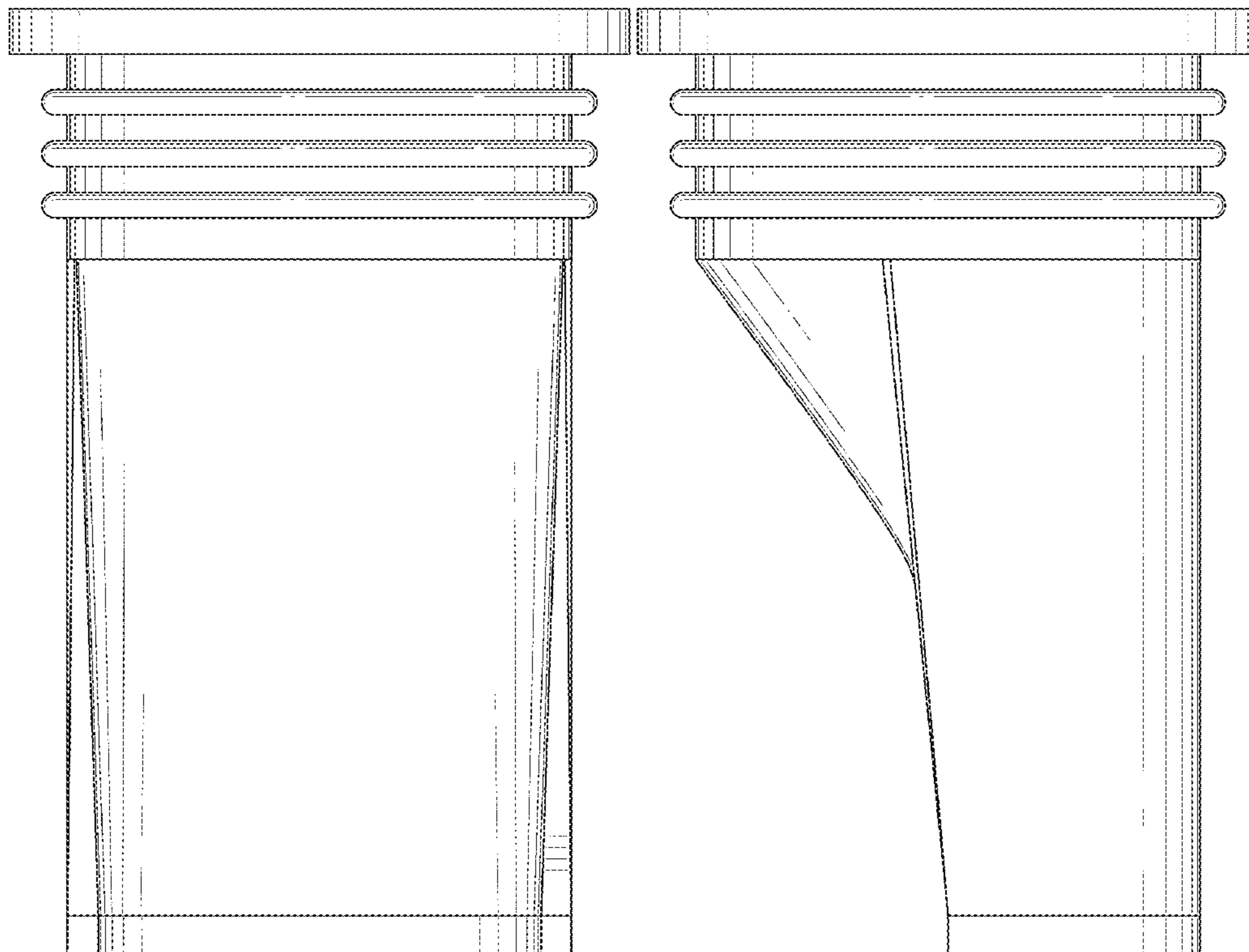
(57) **CLAIM**

The ornamental design for a silicone gel floor drain, as shown and described.

**DESCRIPTION**

FIG. 1 is a front view of a silicone gel floor drain in accordance with the present invention.  
FIG. 2 is a back view thereof.  
FIG. 3 is a right side view thereof.  
FIG. 4 is a left side view thereof.  
FIG. 5 is a top view thereof; and,  
FIG. 6 is a bottom view thereof.  
The broken lines show portions of the silicone gel floor drain that form no part of the claimed design.

**1 Claim, 6 Drawing Sheets**



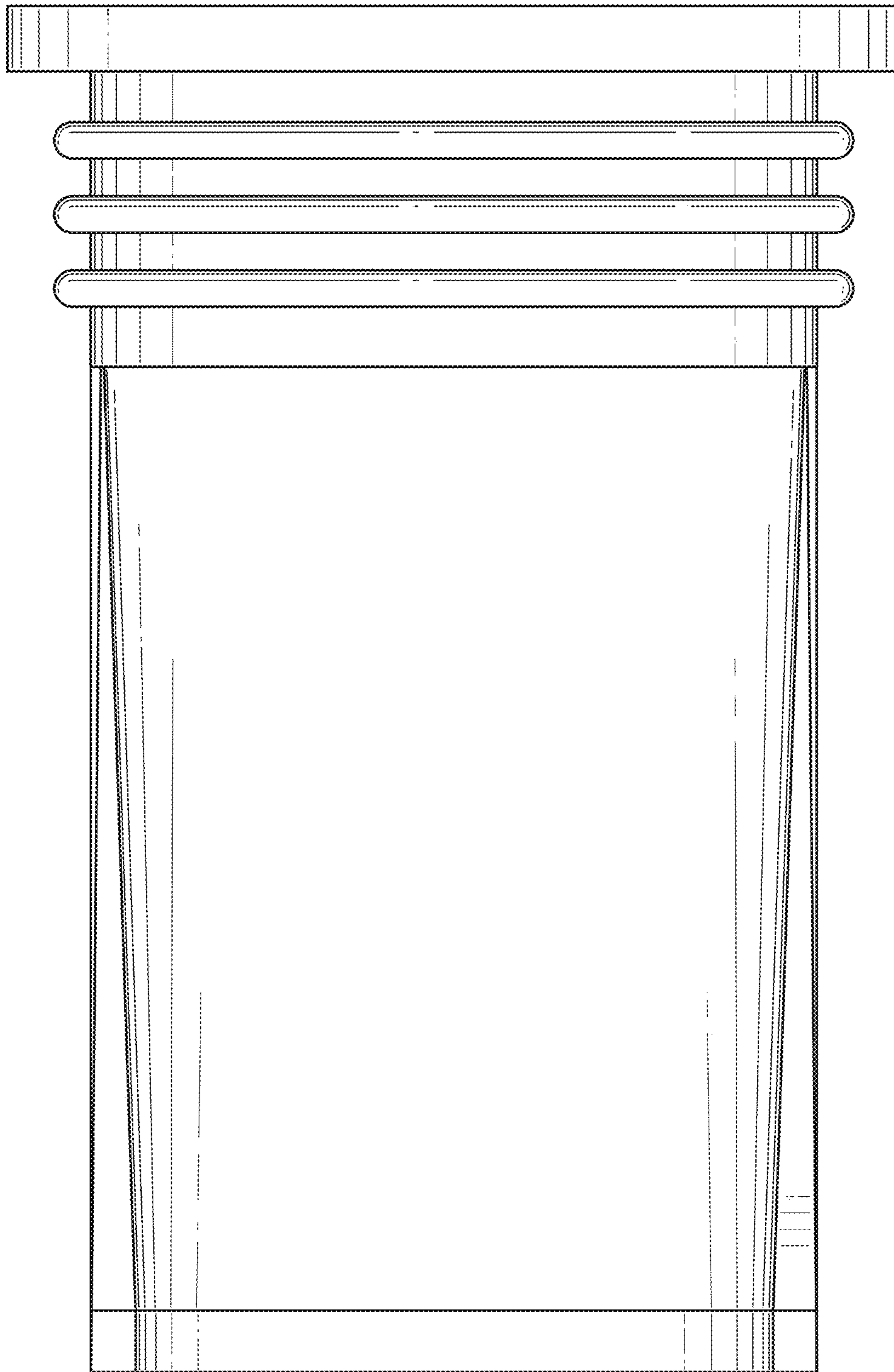


FIG. 1

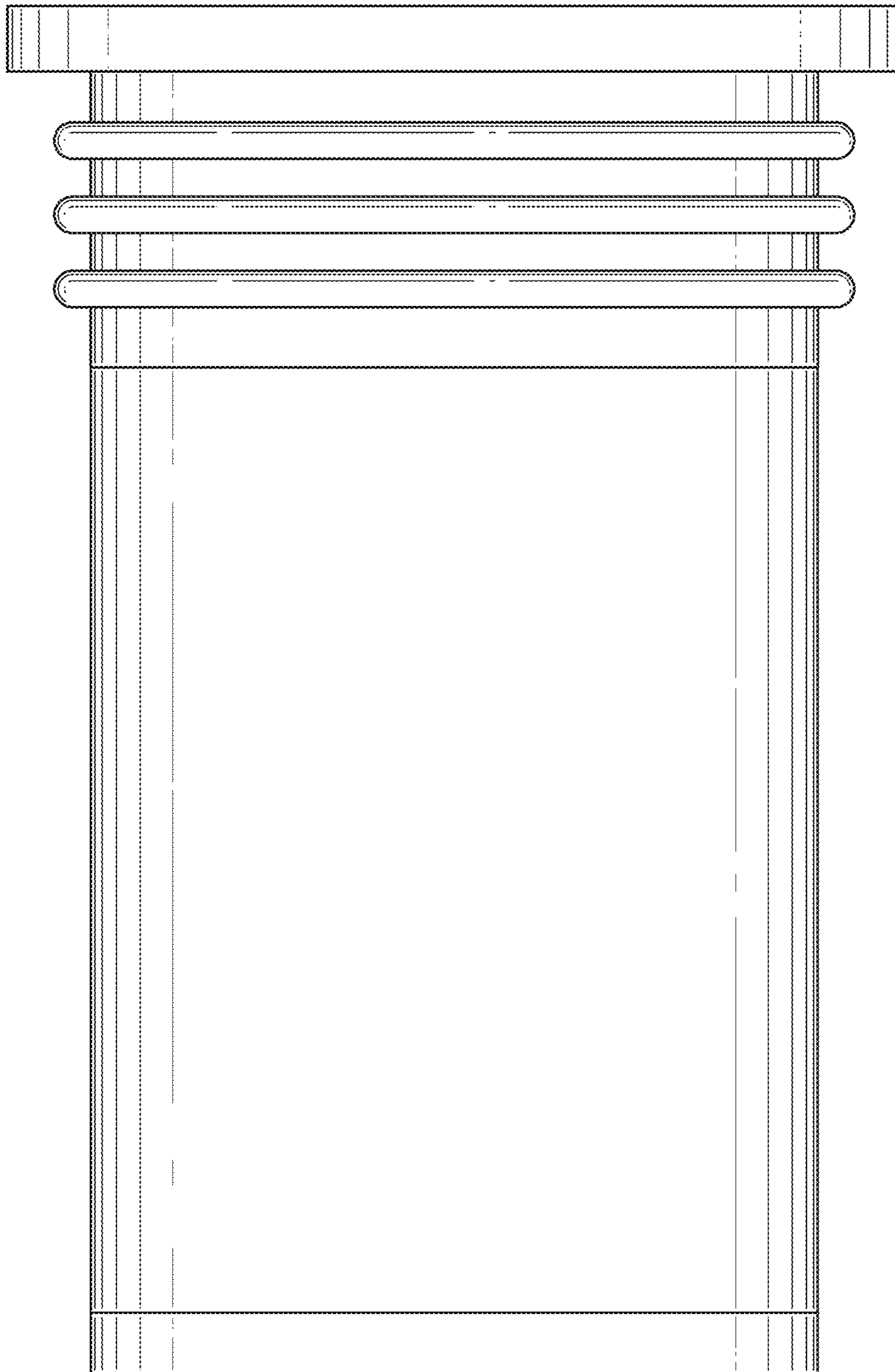


FIG. 2

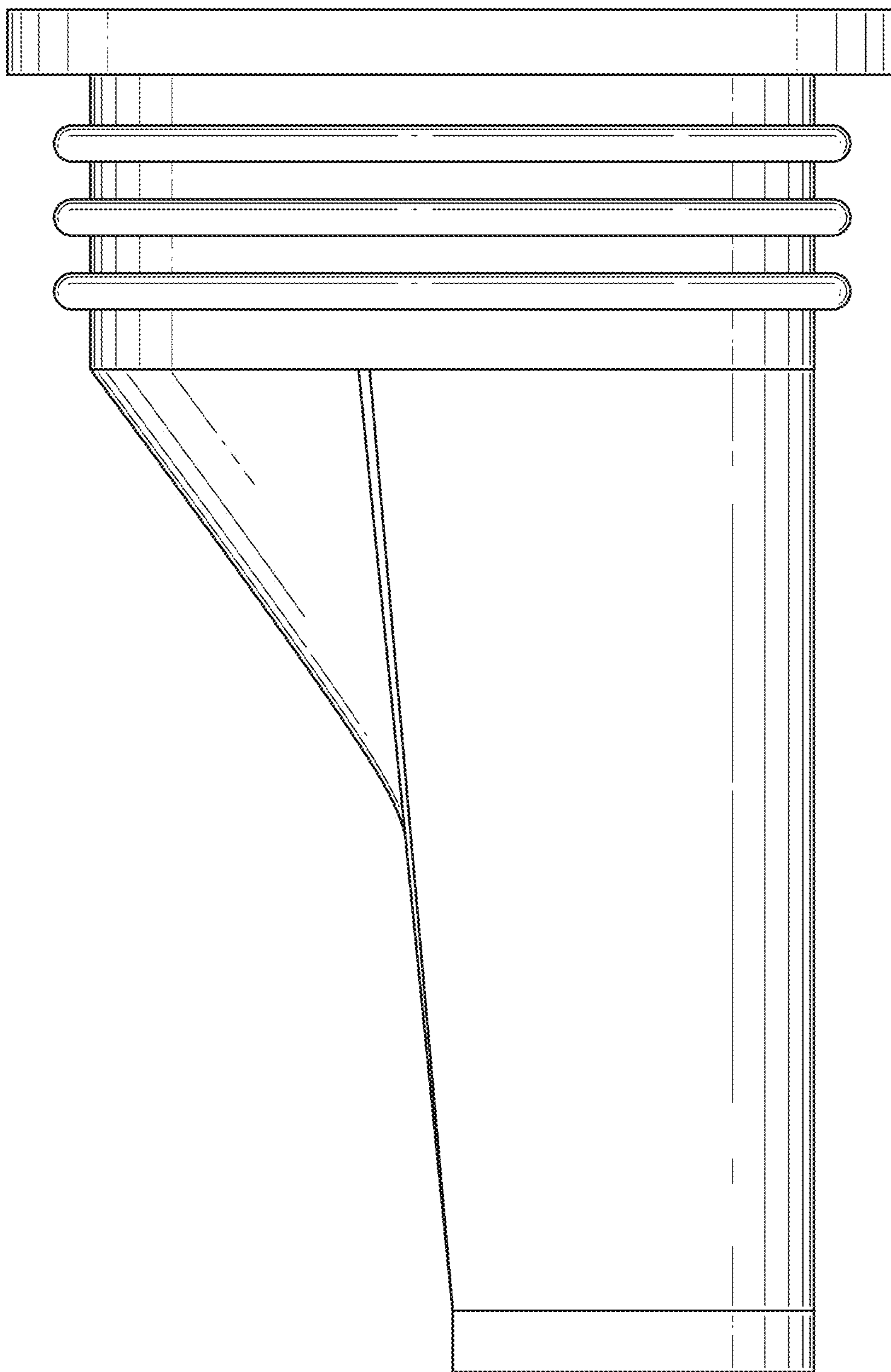


FIG. 3

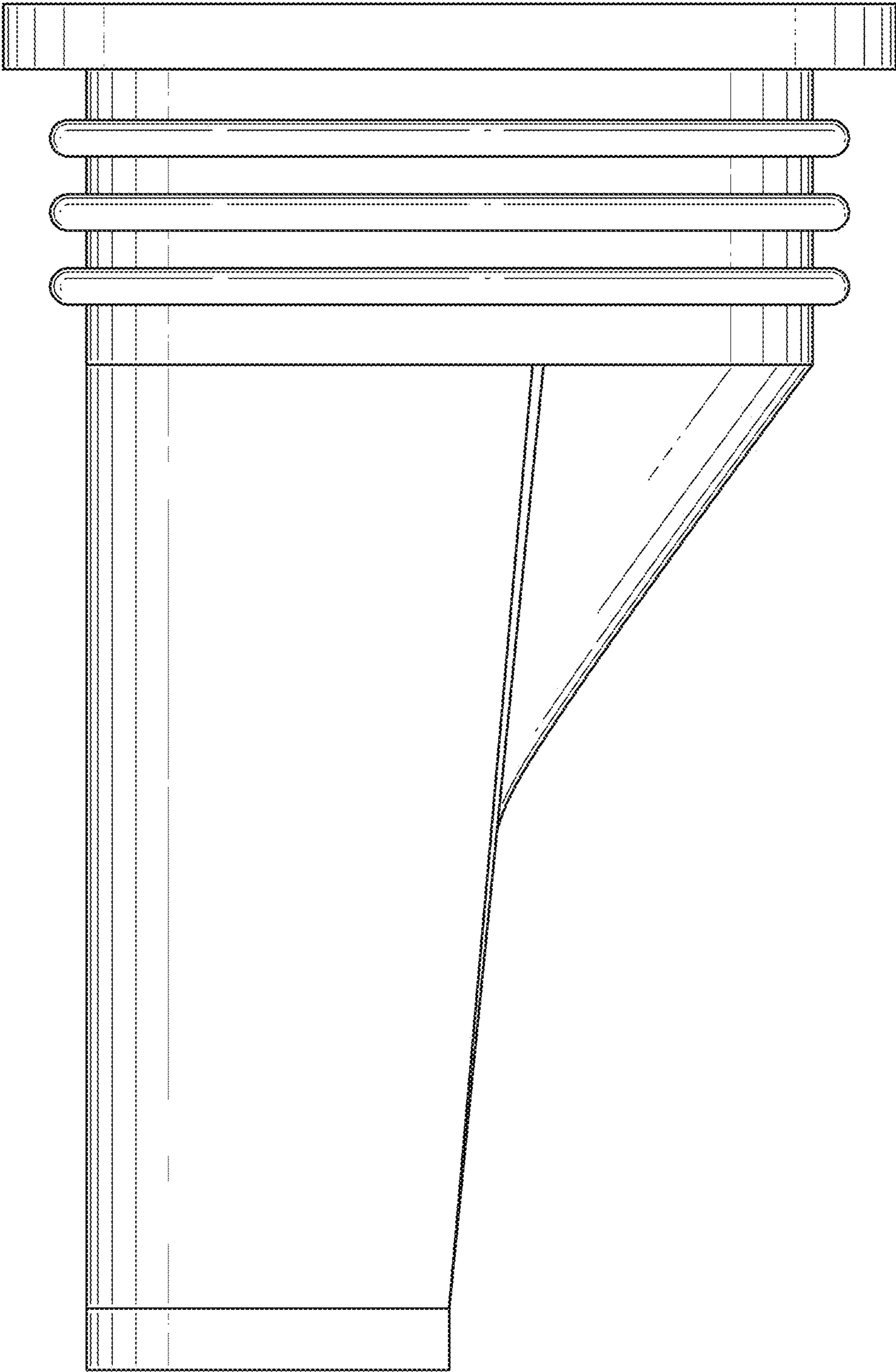


FIG. 4

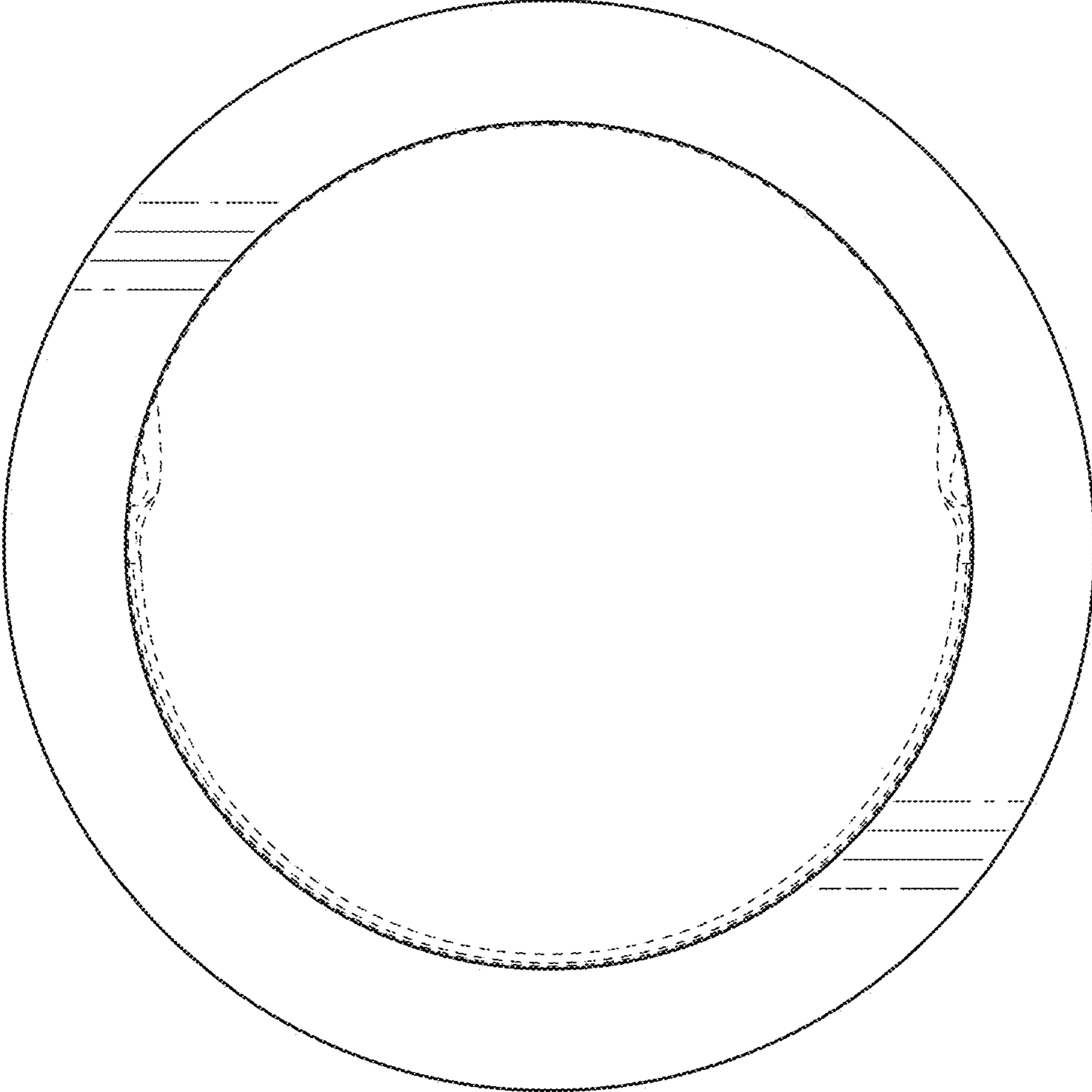


FIG. 5

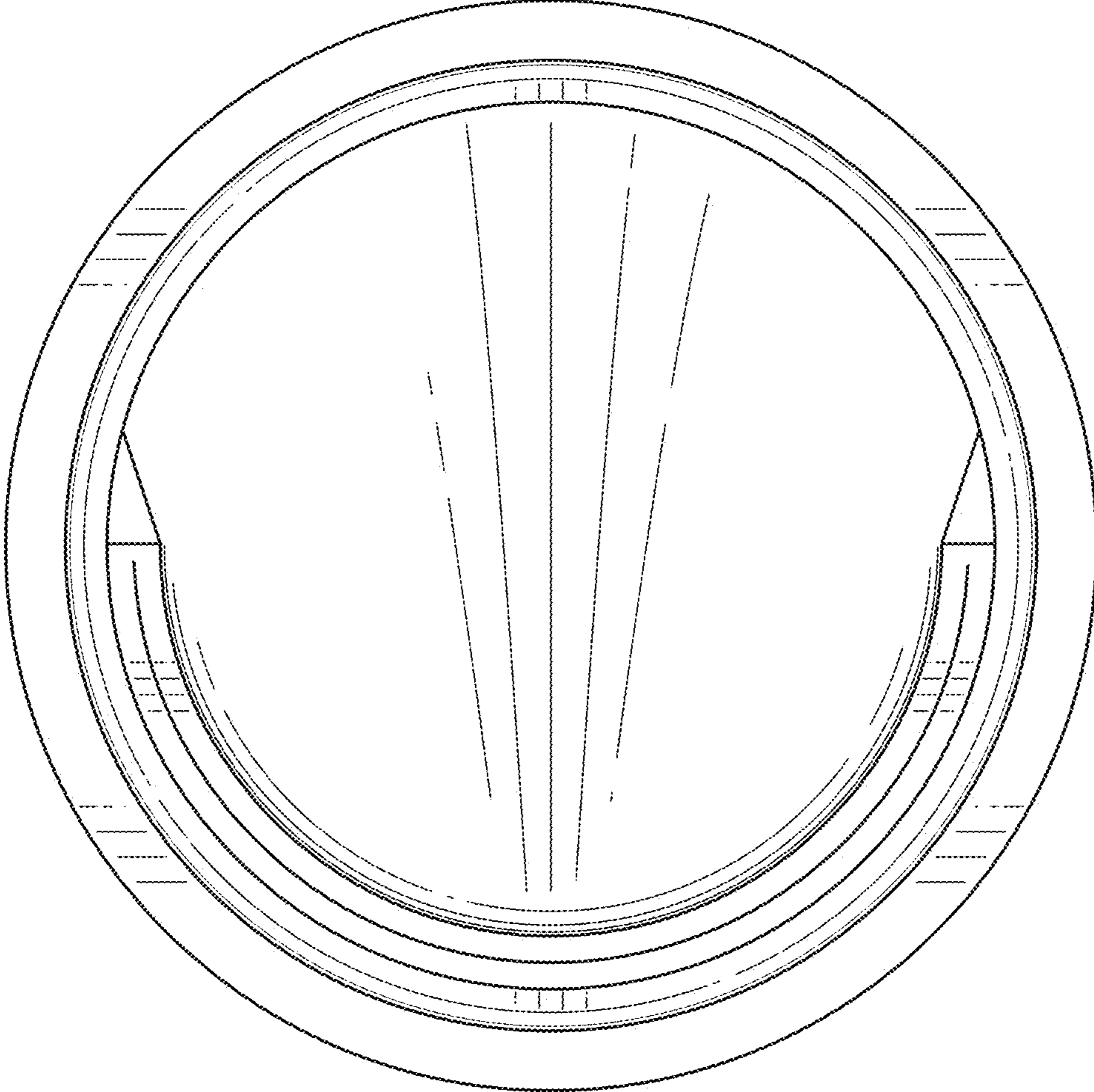


FIG. 6