



US00D925007S

(12) **United States Design Patent** (10) **Patent No.:** **US D925,007 S**
Miller (45) **Date of Patent:** **** Jul. 13, 2021**

(54) **FAUCET**

FOREIGN PATENT DOCUMENTS

(71) Applicant: **DELTA FAUCET COMPANY,**
Indianapolis, IN (US)

CA 146284 * 7/2012

(72) Inventor: **Julia Miller,** Naperville, IL (US)

OTHER PUBLICATIONS

(73) Assignee: **DELTA FAUCET COMPANY,**
Indianapolis, IN (US)

Lampard Two Handle Widespread Bathroom Faucet, announced Date unavailable[online], [site visited Feb. 23, 2021]. Available from internet, URL:<<https://www.deltafaucet.com/bathroom/product/35764LF-SPPD.html>> (Year: 2021).*

(**) Term: **15 Years**

Delta Faucet Lahara Widespread Bathroom Faucet, announced Feb. 10, 2012[online], [site visited Feb. 24, 2021]. Available from internet, URL:<<https://www.amazon.com/2-Handle-Widespread-Technology-Stainless-3538-SSMPU-DST/dp/B0073CLVGK>> (Year: 2012).*

(21) Appl. No.: **29/712,815**

* cited by examiner

(22) Filed: **Nov. 12, 2019**

(51) **LOC (13) Cl.** **23-01**

(52) **U.S. Cl.**
USPC **D23/242**

(58) **Field of Classification Search**
USPC D23/238-244, 252, 254-255, 257;
D8/307-308
CPC F16K 31/602; F16K 31/605; F16K 31/607;
E03C 1/0412
See application file for complete search history.

Primary Examiner — Barbara Fox

Assistant Examiner — Jamaal Rasheed

(74) *Attorney, Agent, or Firm* — Nirav D. Parikh; Edgar A. Zarins

(57) **CLAIM**

The ornamental design for a faucet, as shown and described.

DESCRIPTION

(56) **References Cited**

U.S. PATENT DOCUMENTS

D285,597 S	*	9/1986	Miller	D23/242
D469,159 S	*	1/2003	Marshall	D23/242
D469,507 S	*	1/2003	Marshall	D23/242
D469,508 S	*	1/2003	Marshall	D23/242
D469,509 S	*	1/2003	Marshall	D23/242
D469,510 S	*	1/2003	Marshall	D23/242
D532,085 S	*	11/2006	Svendsen	D23/241
D606,169 S	*	12/2009	Lammel	D23/242
D680,624 S	*	4/2013	Romero	D23/242
D823,991 S	*	7/2018	Schaubach	D23/242
D904,569 S	*	12/2020	Pan	D23/242

FIG. 1 is a front perspective view of a faucet showing my new design;

FIG. 2 is a rear perspective view thereof;

FIG. 3 is a front elevational view thereof;

FIG. 4 is a left side view thereof;

FIG. 5 is a rear view thereof;

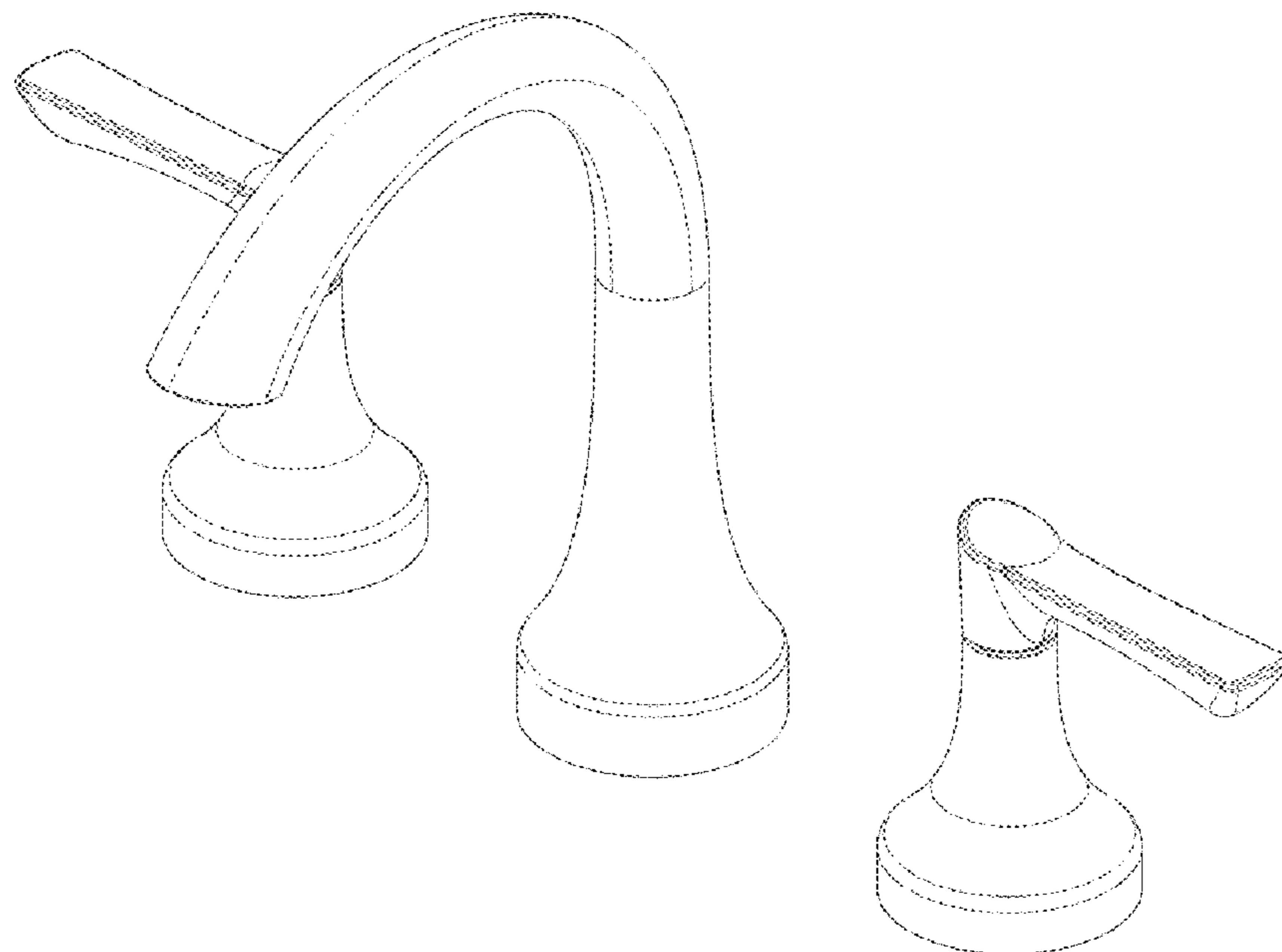
FIG. 6 is a right side view thereof;

FIG. 7 is a top plan view thereof; and,

FIG. 8 is a bottom view thereof.

The broken lines shown in the drawings depict portions of the faucet that form no part of the claimed design.

1 Claim, 4 Drawing Sheets



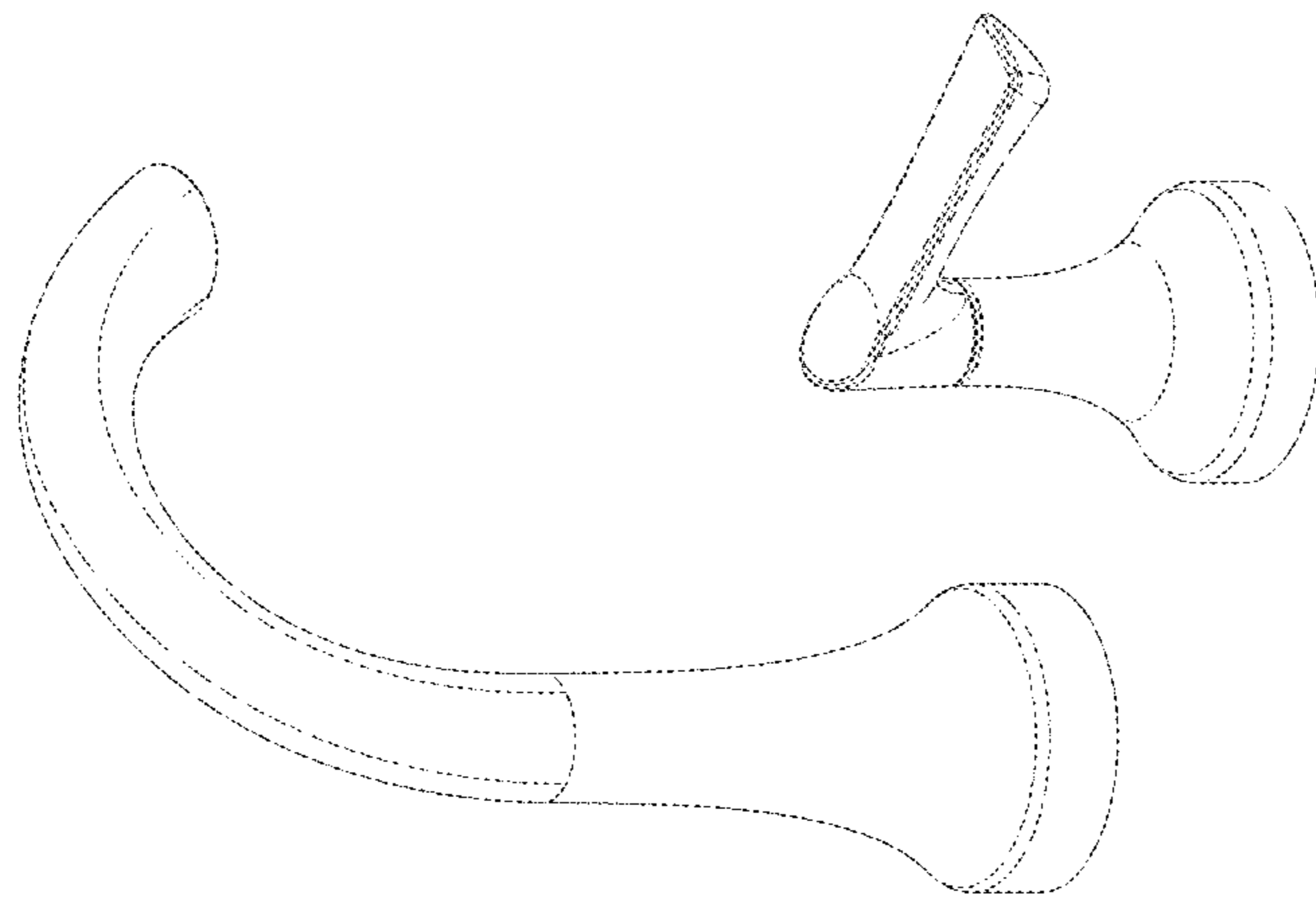


FIG-2

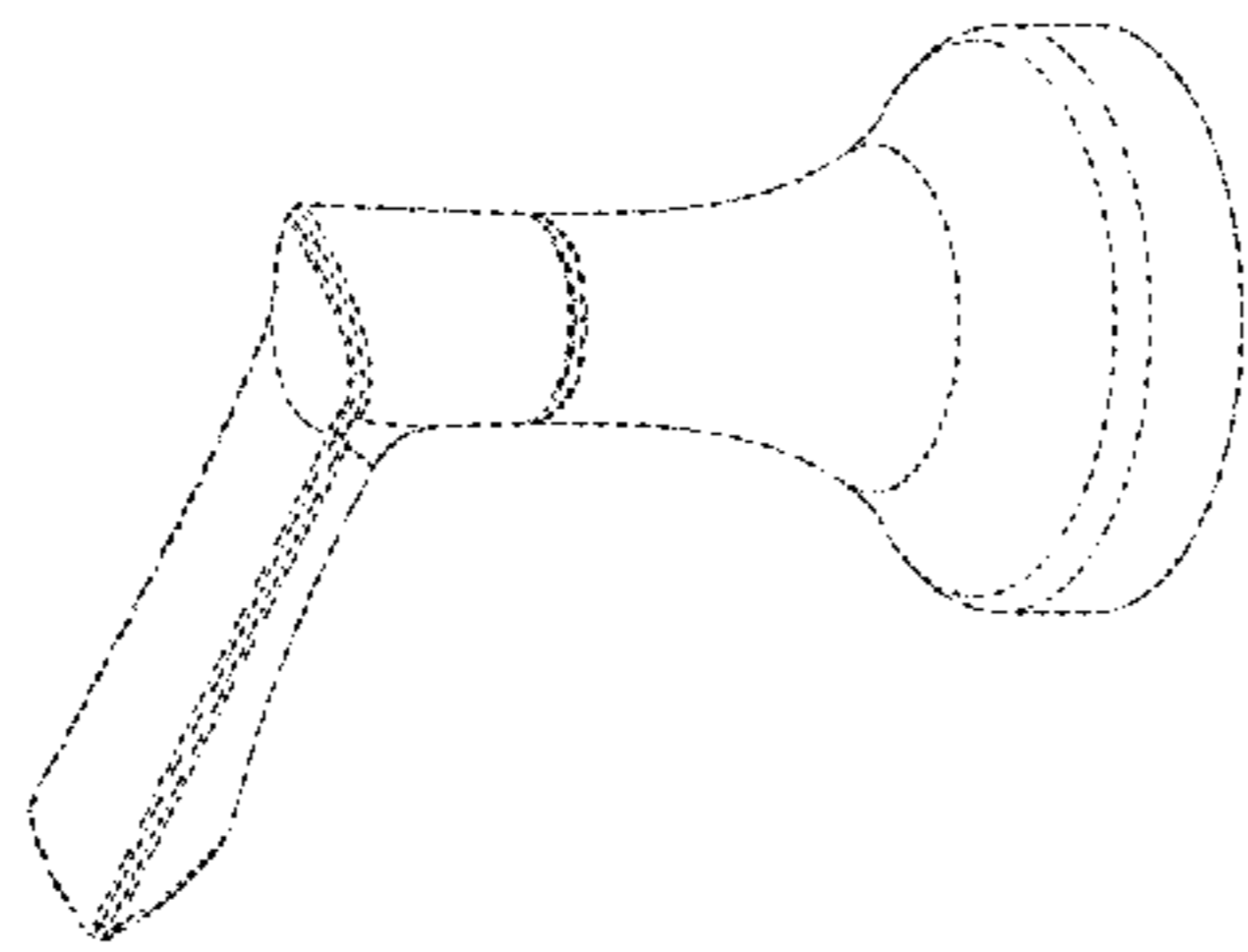
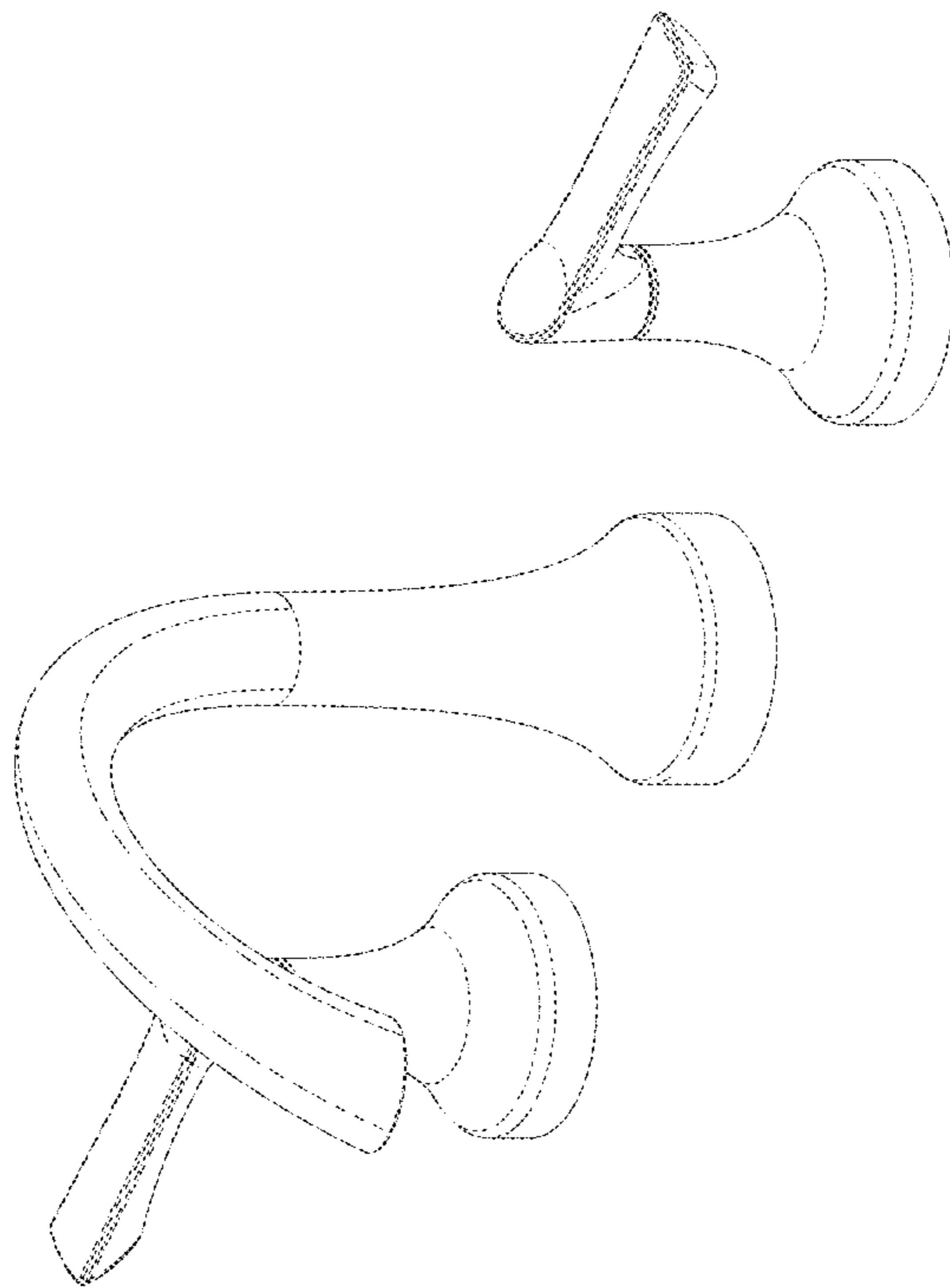


FIG-1



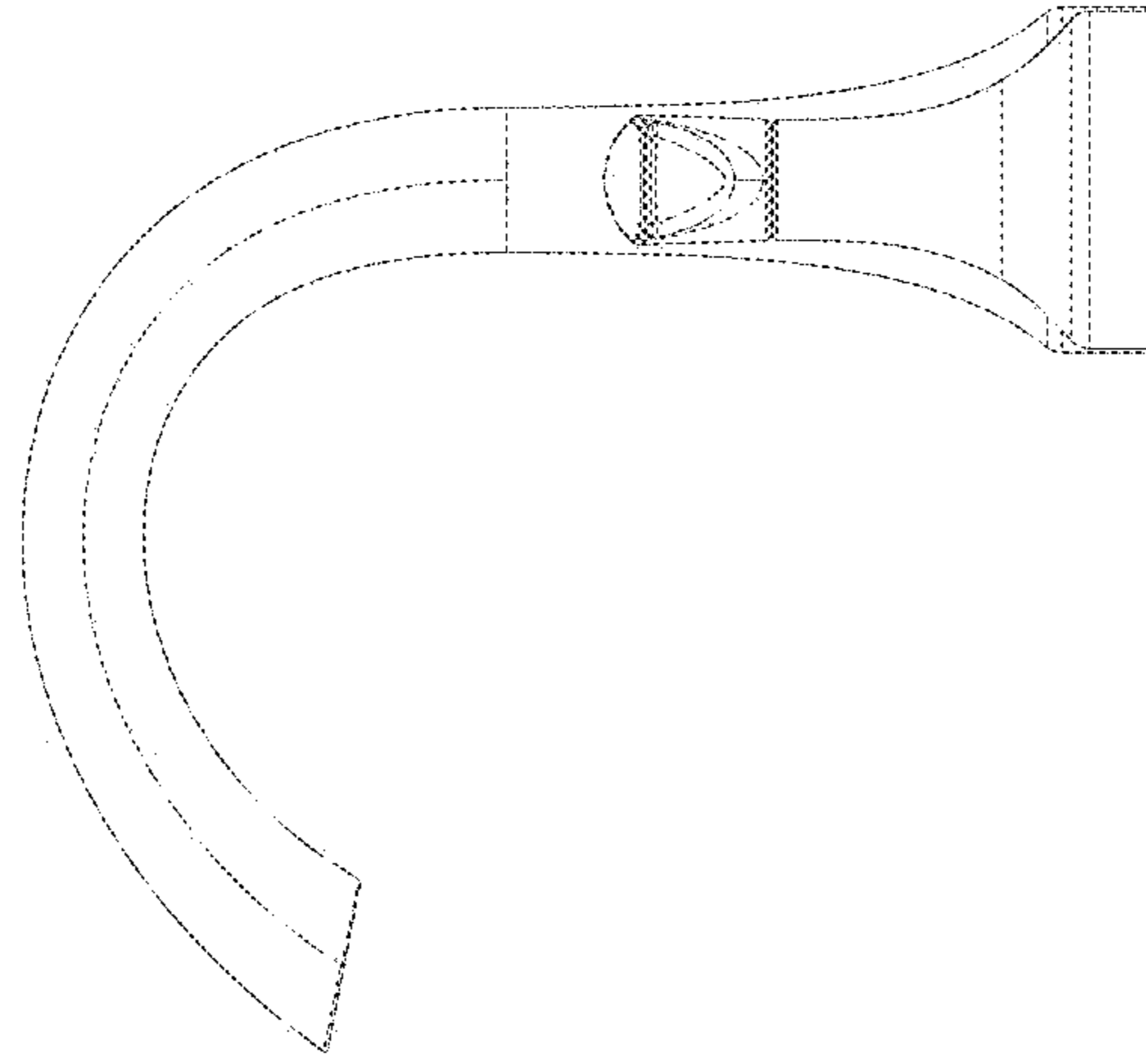


FIG-4

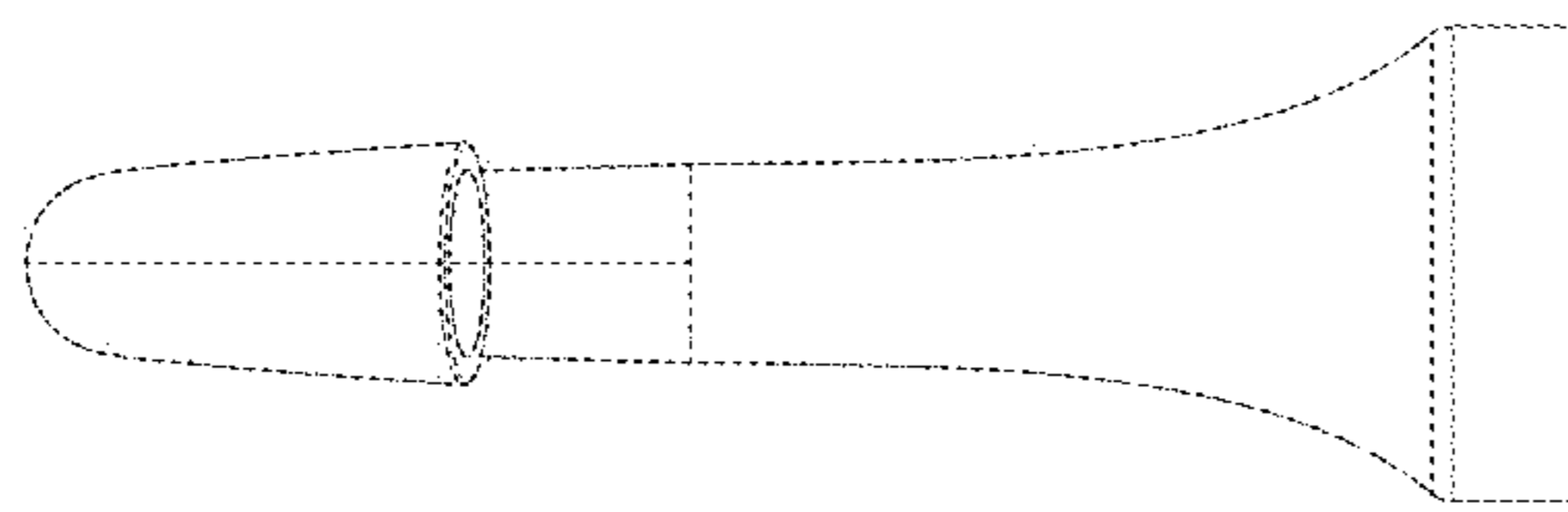
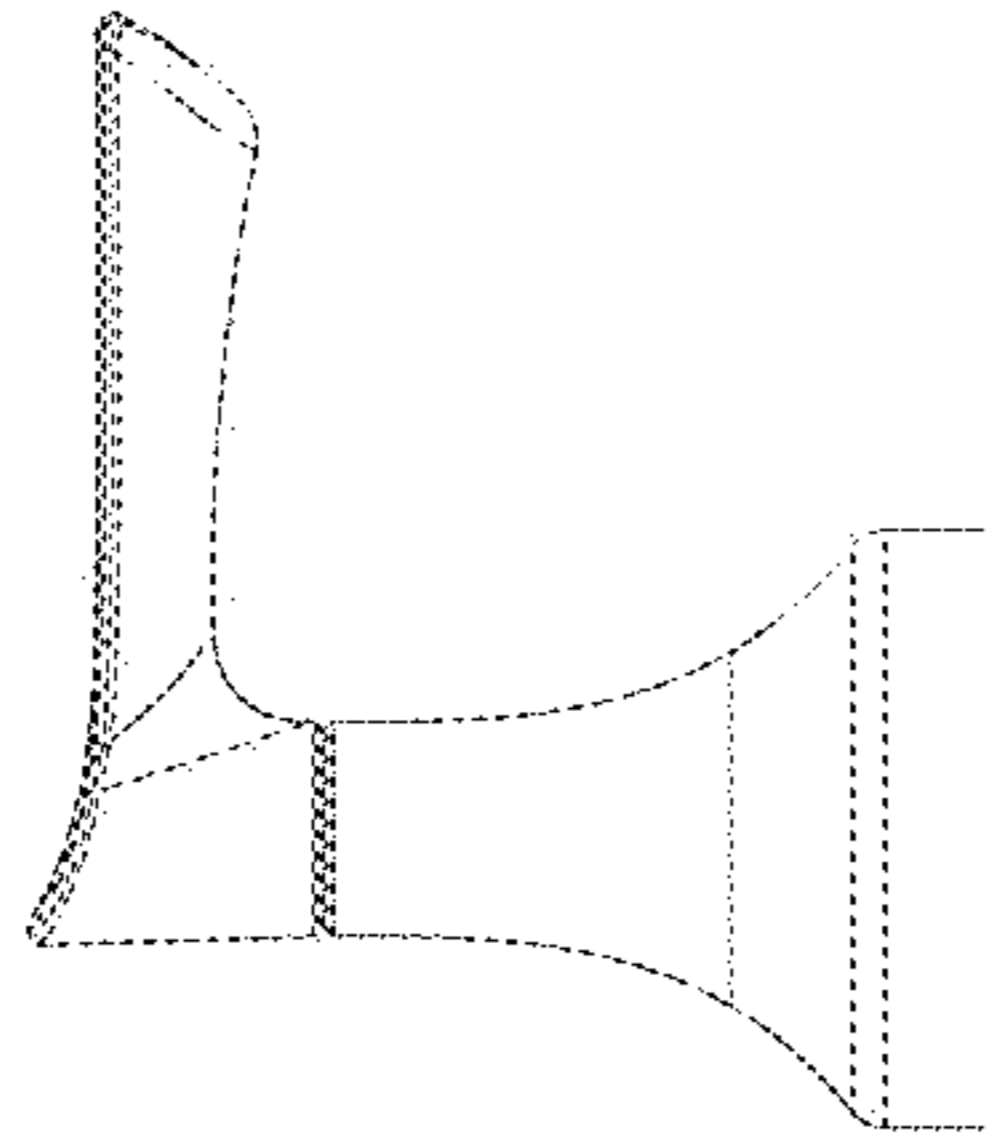
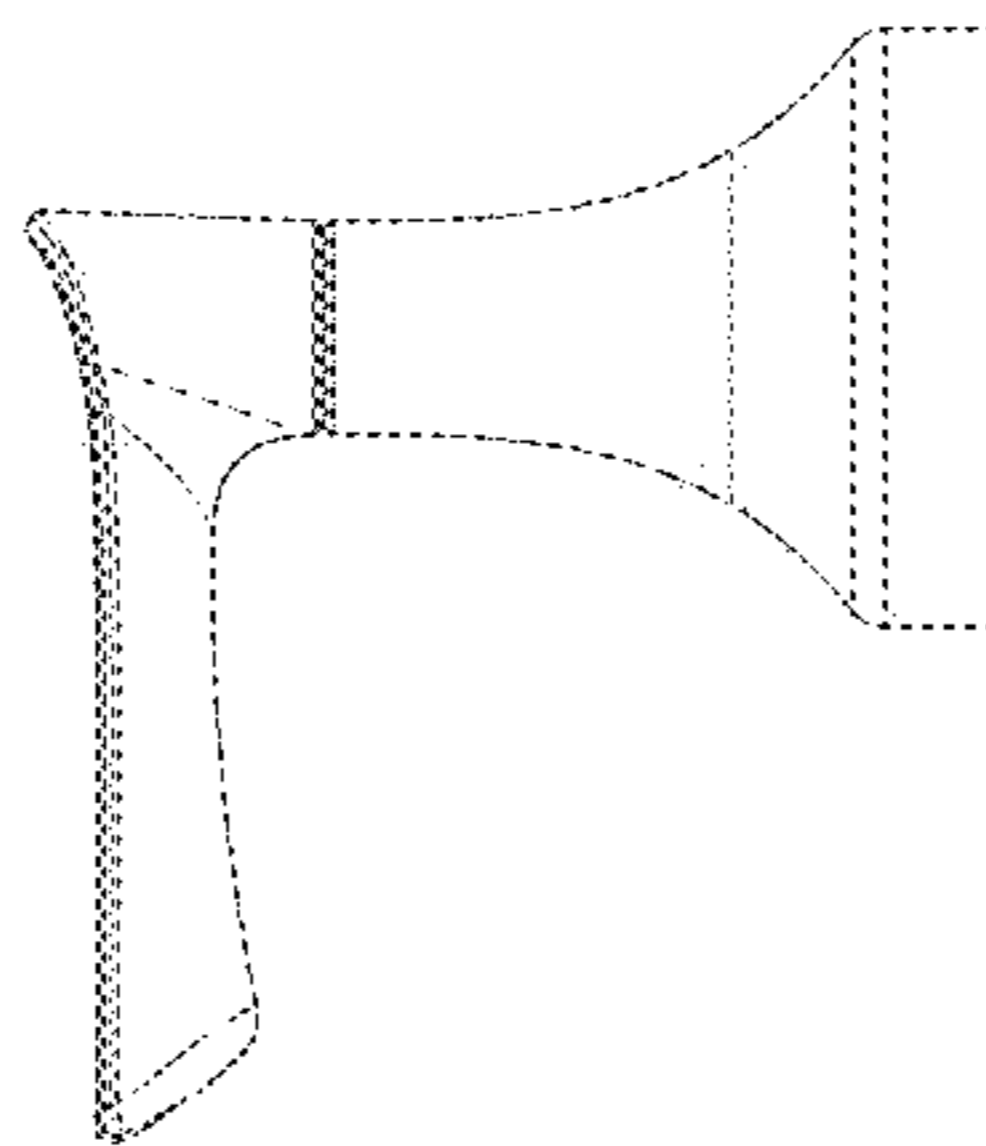


FIG-3



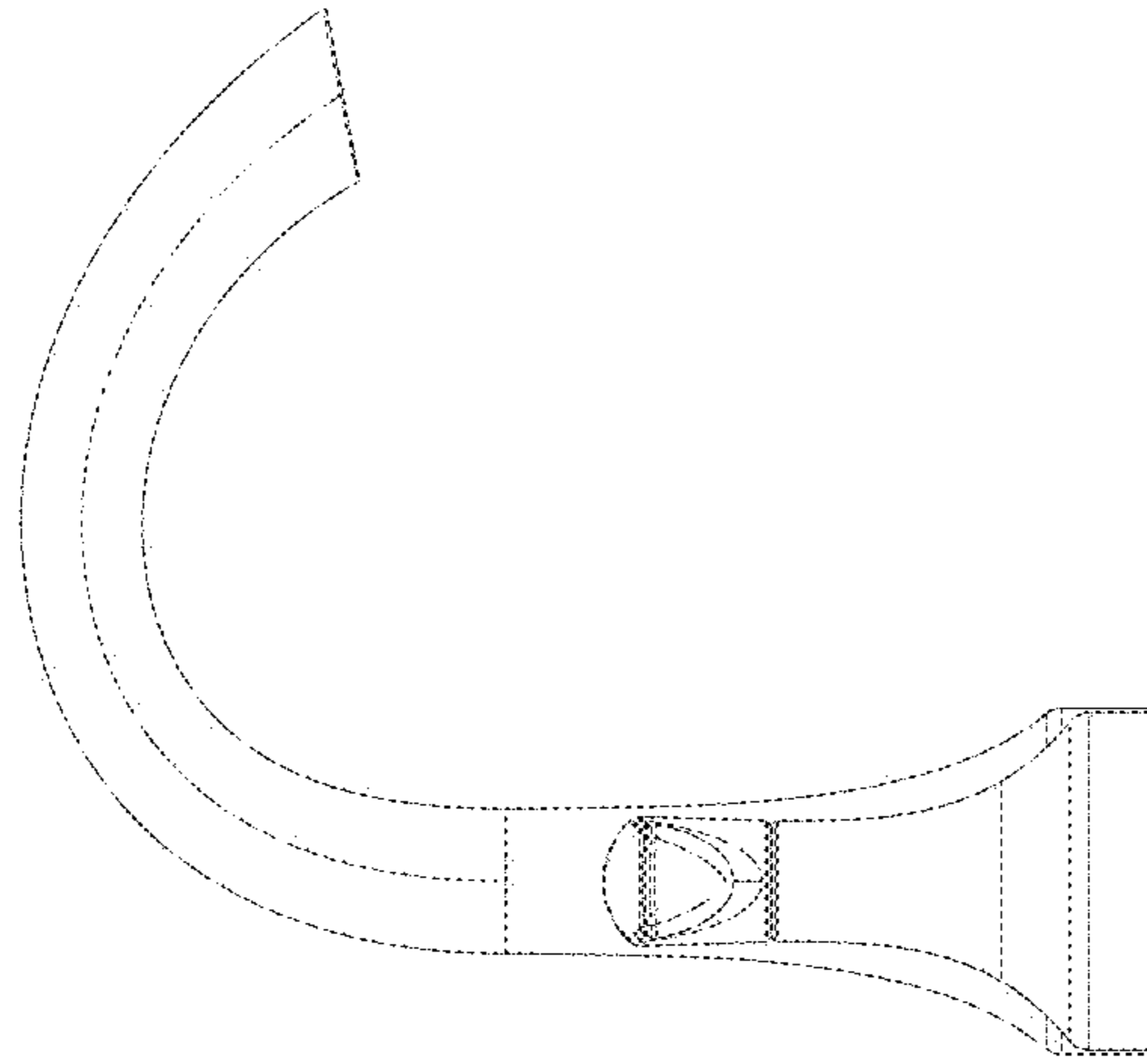


FIG-6

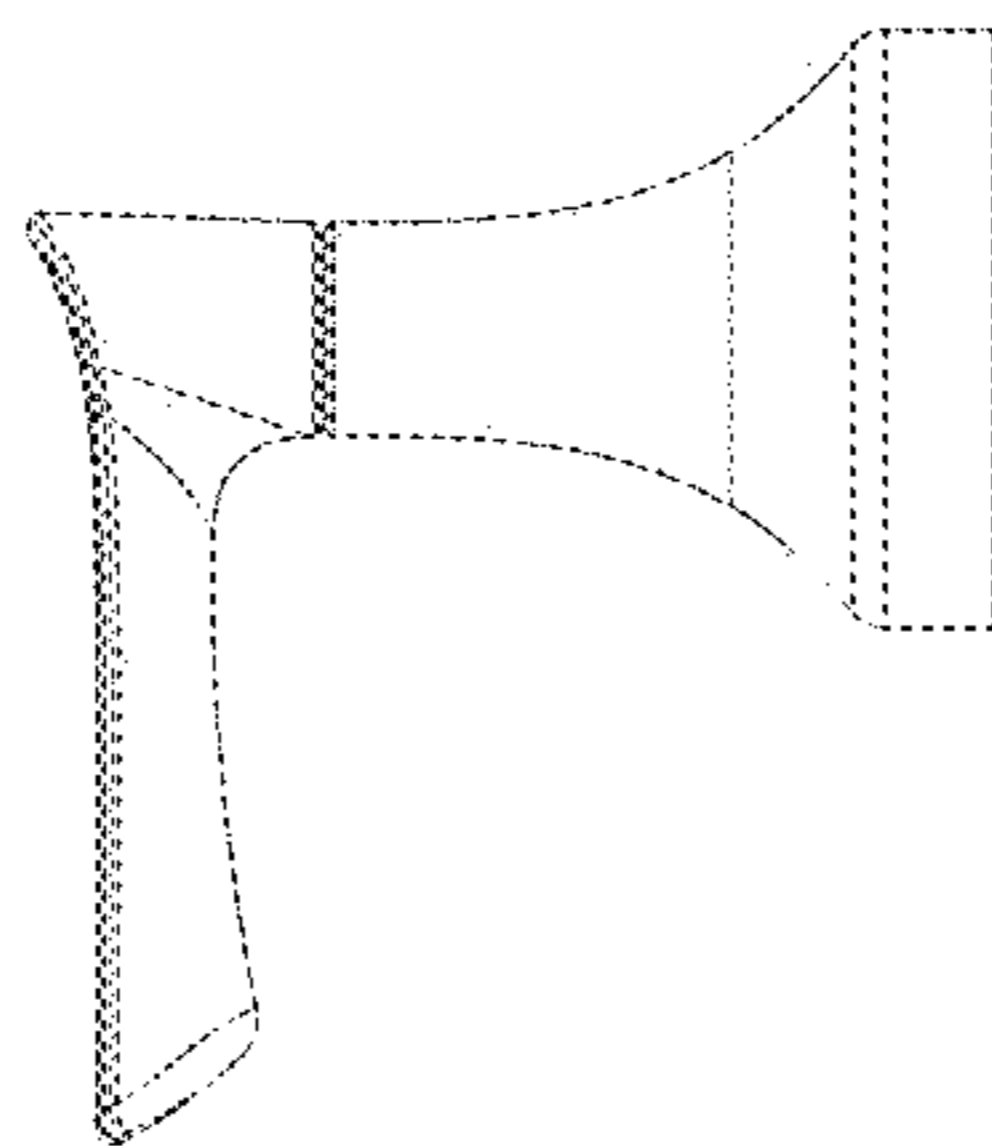
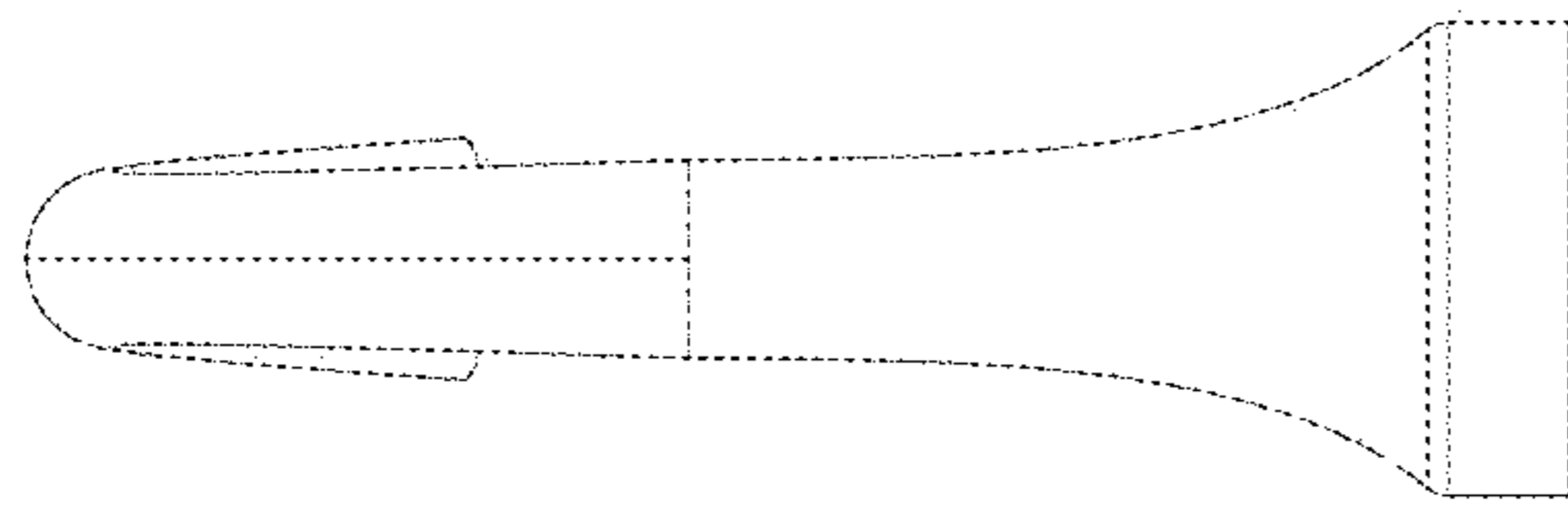
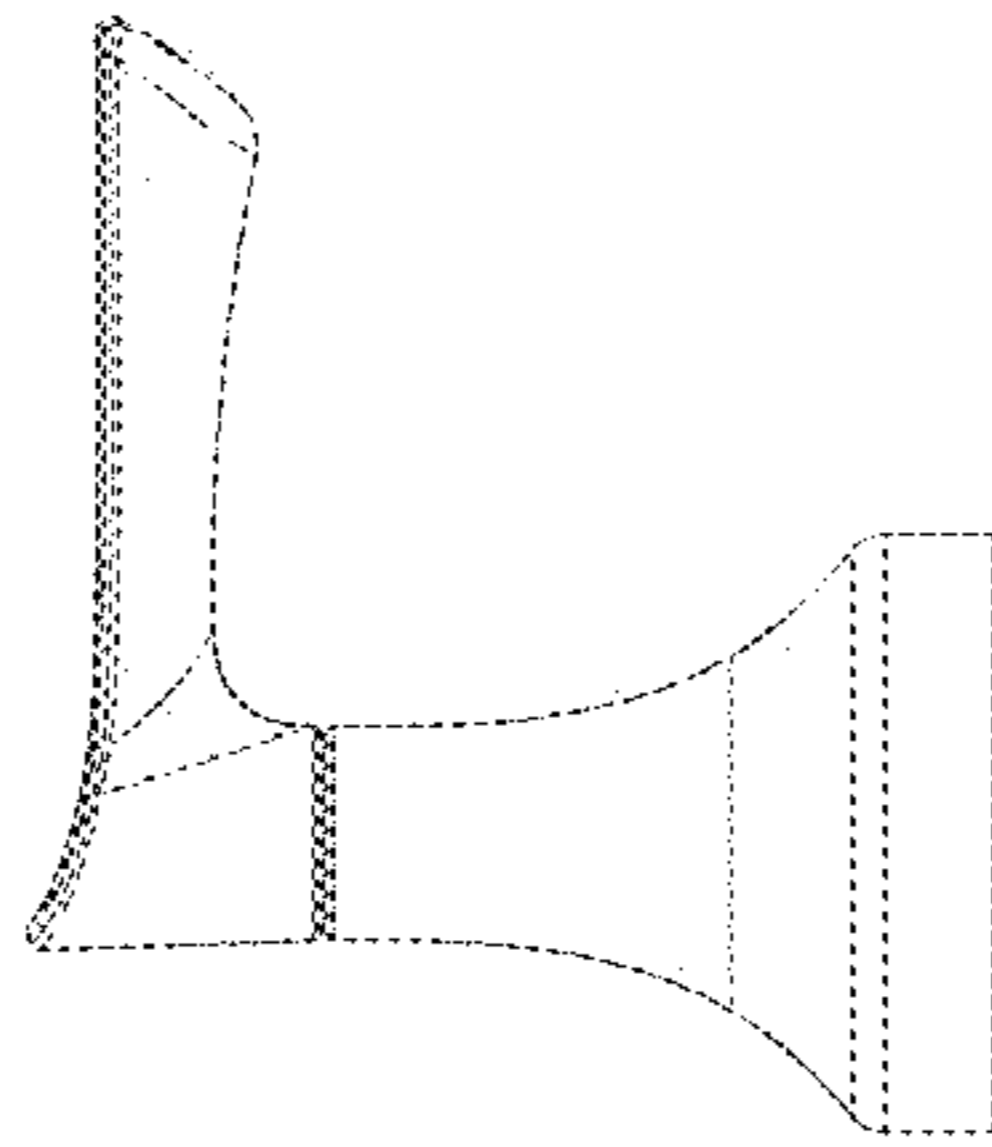


FIG-5

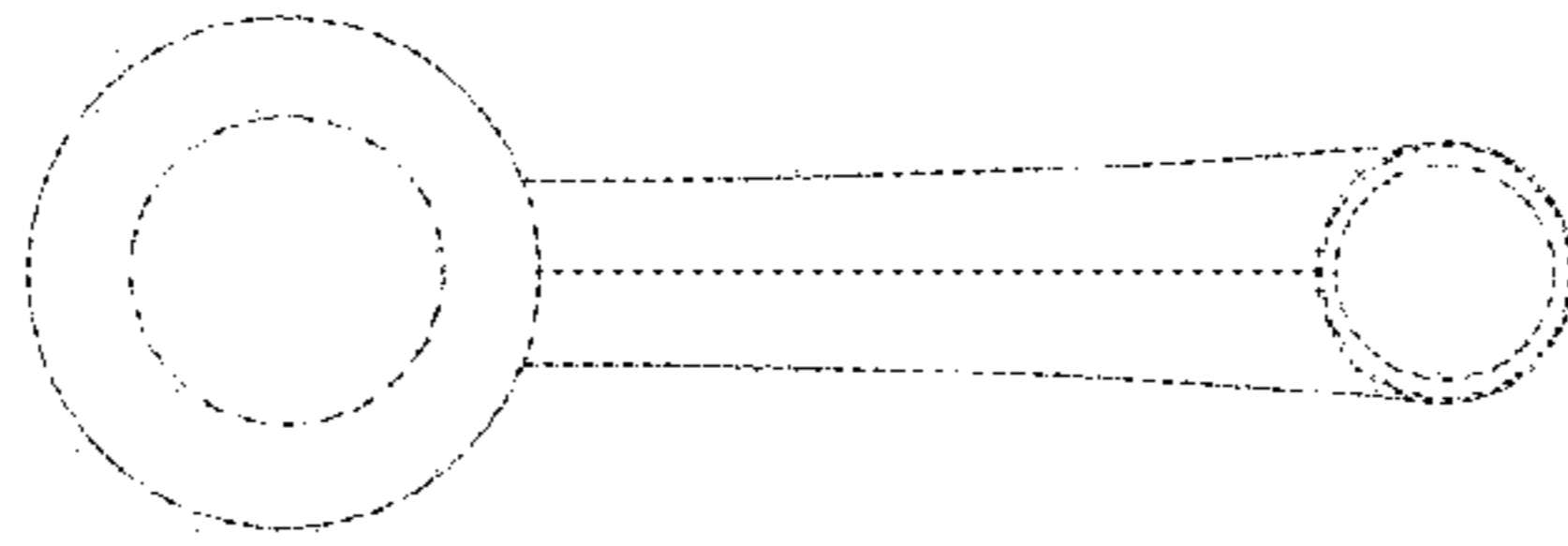
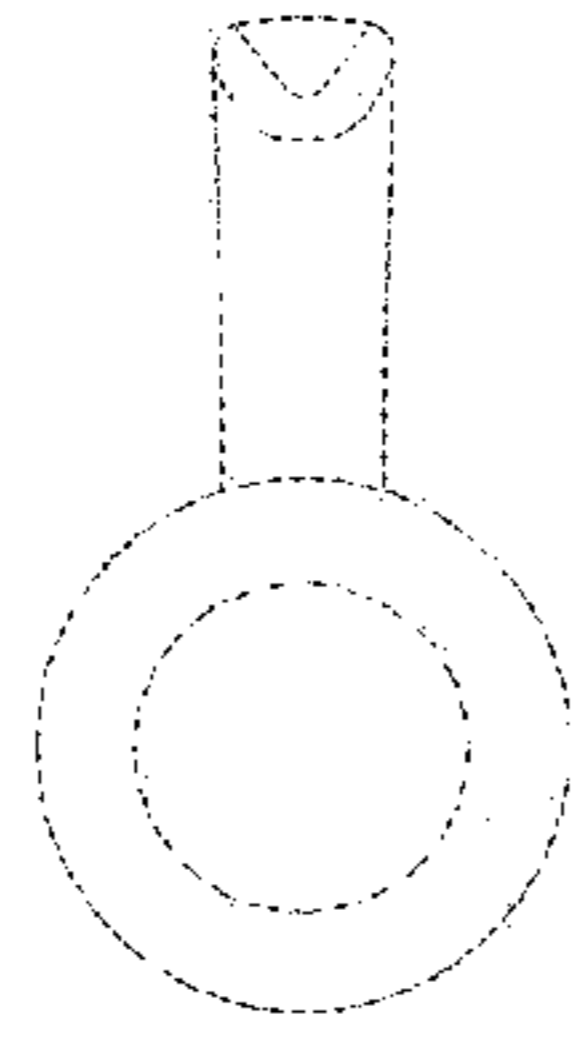


FIG-8

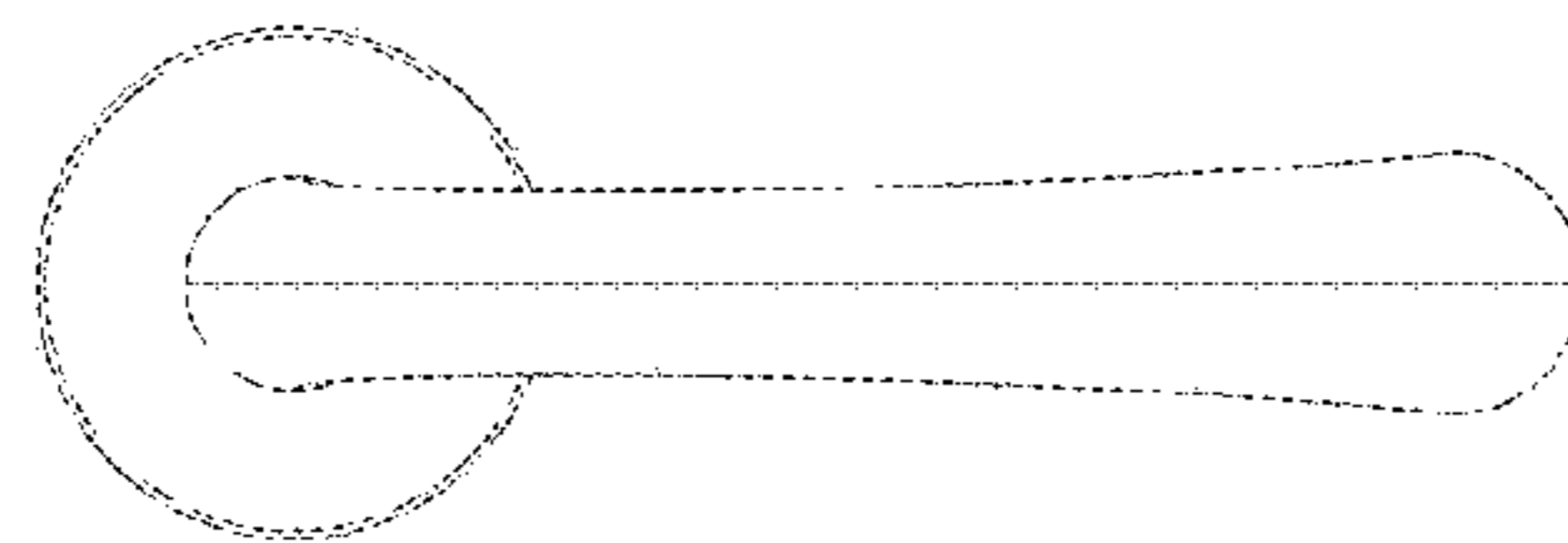
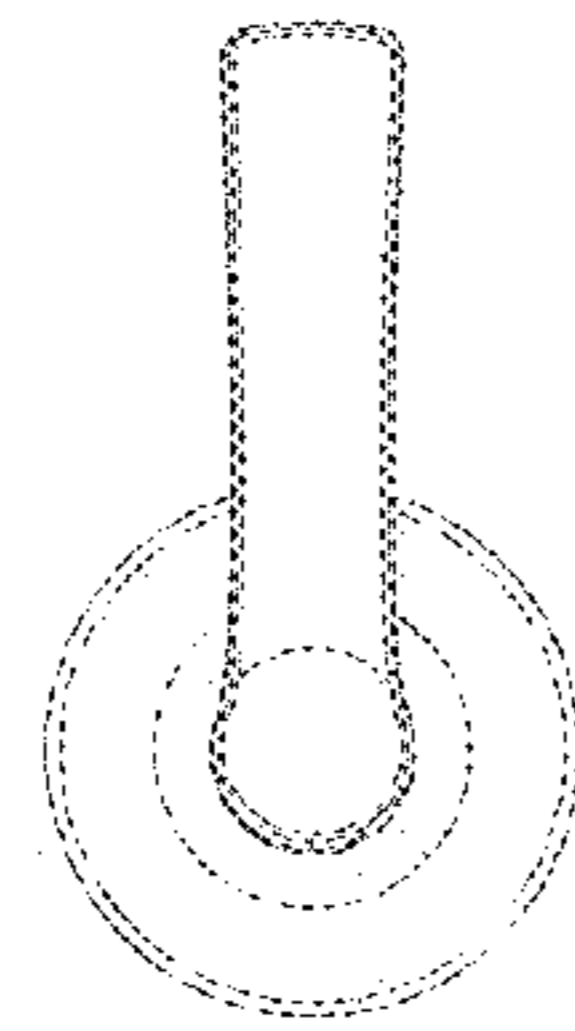
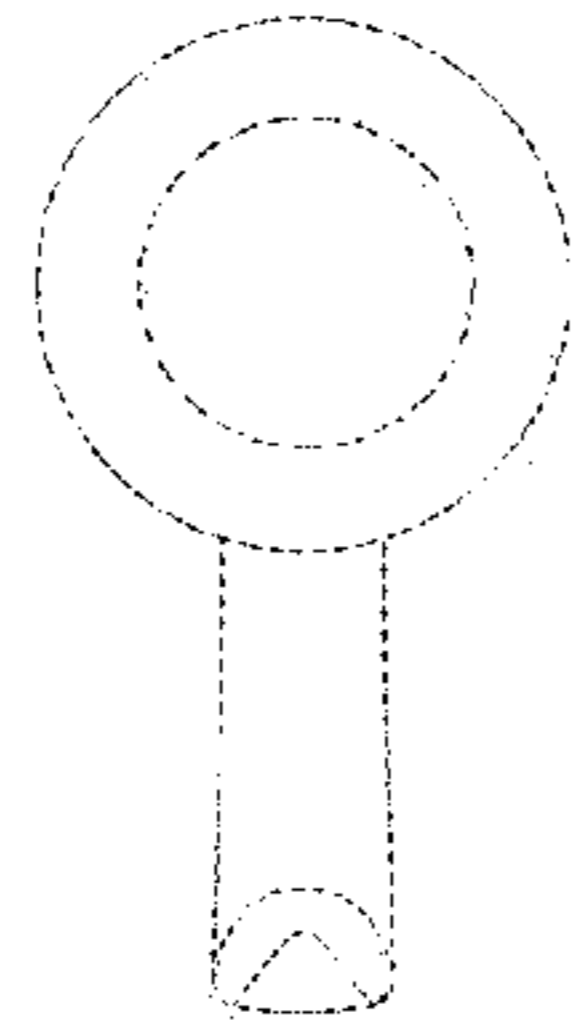


FIG-7

