



US00D925006S

(12) **United States Design Patent**
Liu

(10) **Patent No.:** **US D925,006 S**
(45) **Date of Patent:** **** Jul. 13, 2021**

- (54) **FAUCET BODY**
- (71) Applicant: **Qiwen Liu**, Hunan (CN)
- (72) Inventor: **Qiwen Liu**, Hunan (CN)
- (73) Assignee: **SHENZHEN MINGSHENG KITCHEN EQUIPMENT CO., LTD.**, Shenzhen (CN)
- (**) Term: **15 Years**
- (21) Appl. No.: **29/771,027**
- (22) Filed: **Feb. 19, 2021**
- (51) **LOC (13) Cl.** **23-01**
- (52) **U.S. Cl.**
USPC **D23/241**
- (58) **Field of Classification Search**
USPC D23/241-243, 249
CPC F16K 19/006
See application file for complete search history.

- D654,570 S 2/2012 Yu
- 8,302,620 B2 * 11/2012 Lin E03C 1/04
137/315.12
- D712,521 S 9/2014 Smith et al.
- D714,913 S 10/2014 Smith et al.
- D791,282 S 7/2017 Bahler
- D811,556 S 2/2018 Garland
- D877,861 S 3/2020 Garland
- D896,925 S * 9/2020 Liu D23/241
- 10,876,640 B2 * 12/2020 Wang F16K 19/006
- 2020/0200283 A1 * 6/2020 Fujii F16K 19/006

* cited by examiner

Primary Examiner — Robert A Delehanty

(57) **CLAIM**

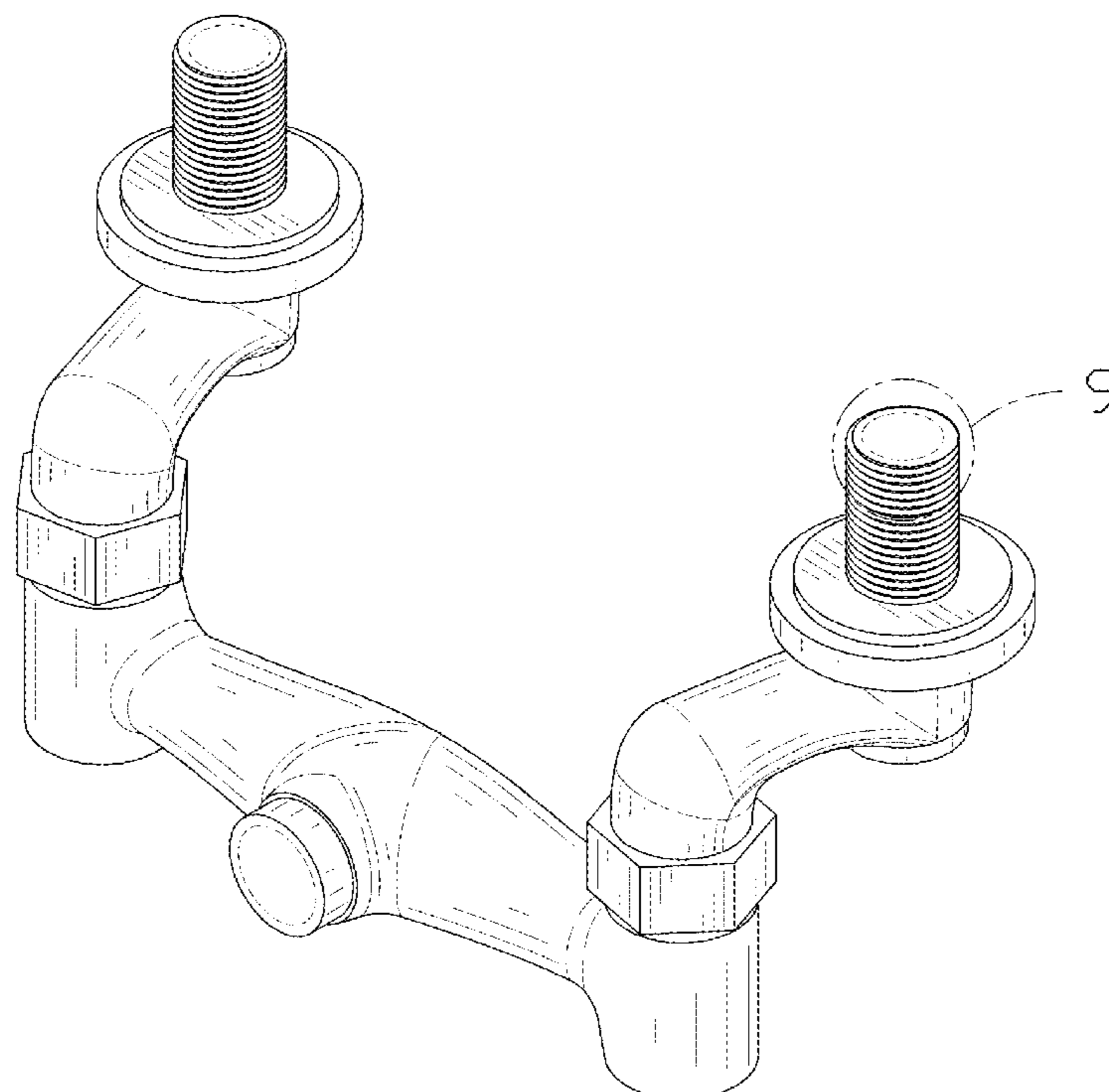
The ornamental design for a faucet body, as shown and described.

DESCRIPTION

FIG. 1 is a perspective view of a faucet body showing my new design;
 FIG. 2 is another perspective view thereof;
 FIG. 3 is a front elevational view thereof;
 FIG. 4 is a rear elevational view thereof;
 FIG. 5 is a top plan view thereof;
 FIG. 6 is a bottom plan view thereof;
 FIG. 7 is a left side elevational view thereof;
 FIG. 8 is a right side elevational view thereof; and,
 FIG. 9 is an enlarged perspective view thereof.
 The broken lines throughout the drawing figures depict portions of the faucet body that form no part of the claimed design.

1 Claim, 9 Drawing Sheets

- (56) **References Cited**
U.S. PATENT DOCUMENTS
- 4,672,994 A * 6/1987 Ko E03C 1/042
137/359
- 4,700,736 A * 10/1987 Sheen F16K 5/0414
137/315.13
- 4,718,128 A * 1/1988 Fan E03C 1/04
137/597
- D510,413 S * 10/2005 Ouyoung D23/249
- D522,095 S * 5/2006 Chung D23/241
- D533,638 S * 12/2006 Castellanos D23/241
- D579,082 S 10/2008 Yuan
- D581,498 S 11/2008 Dolan



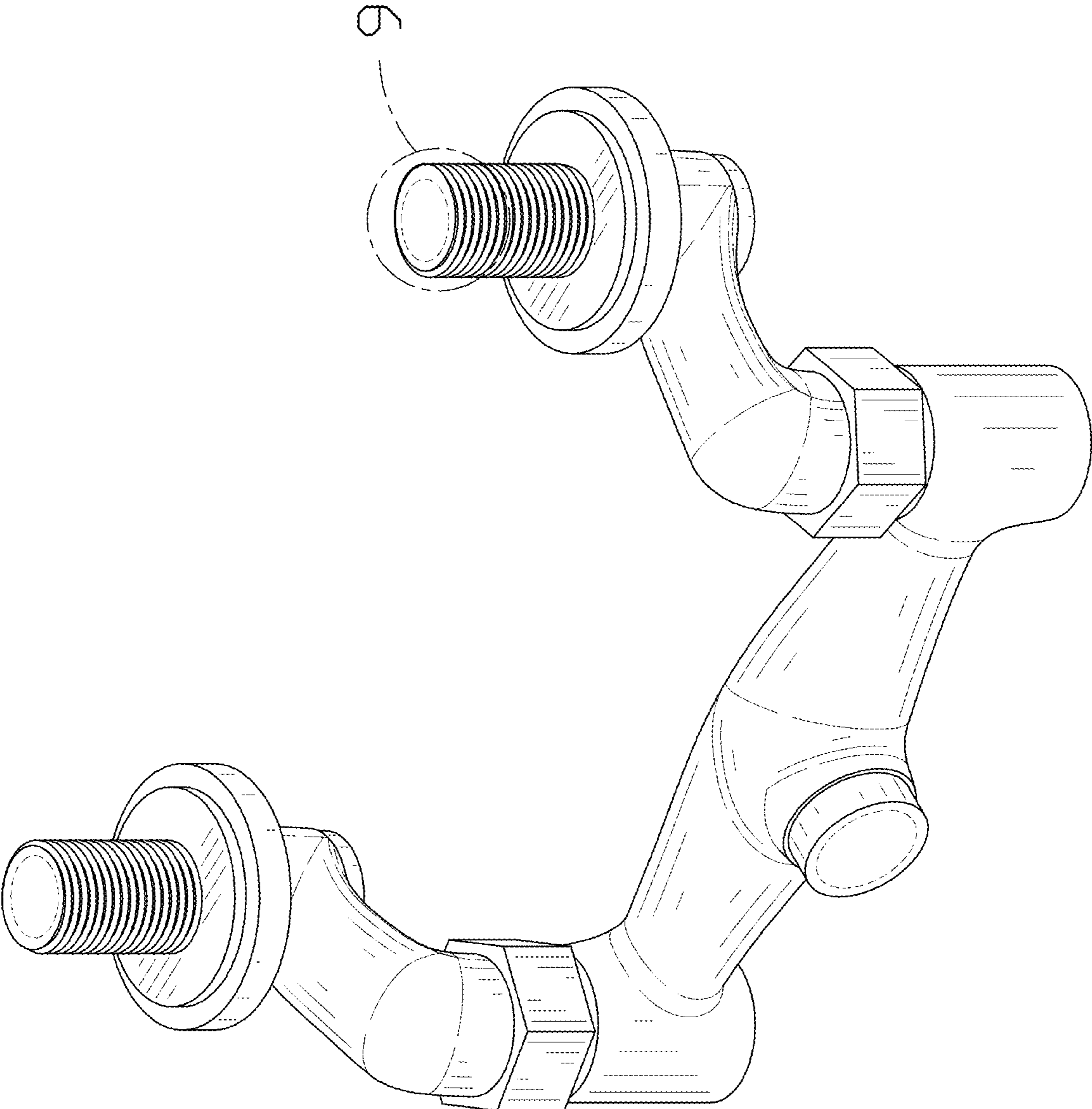


FIG. 1

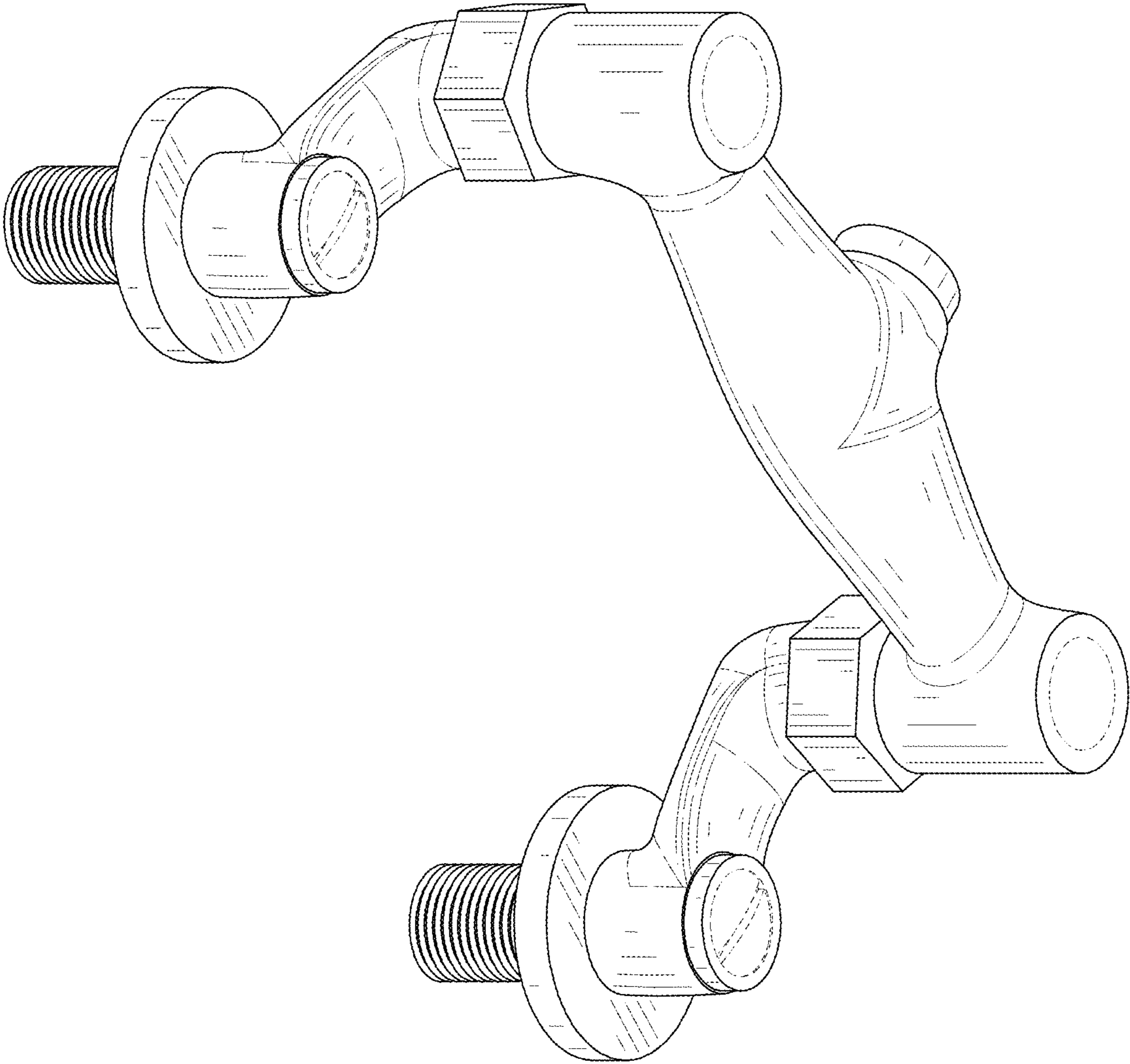


FIG. 2

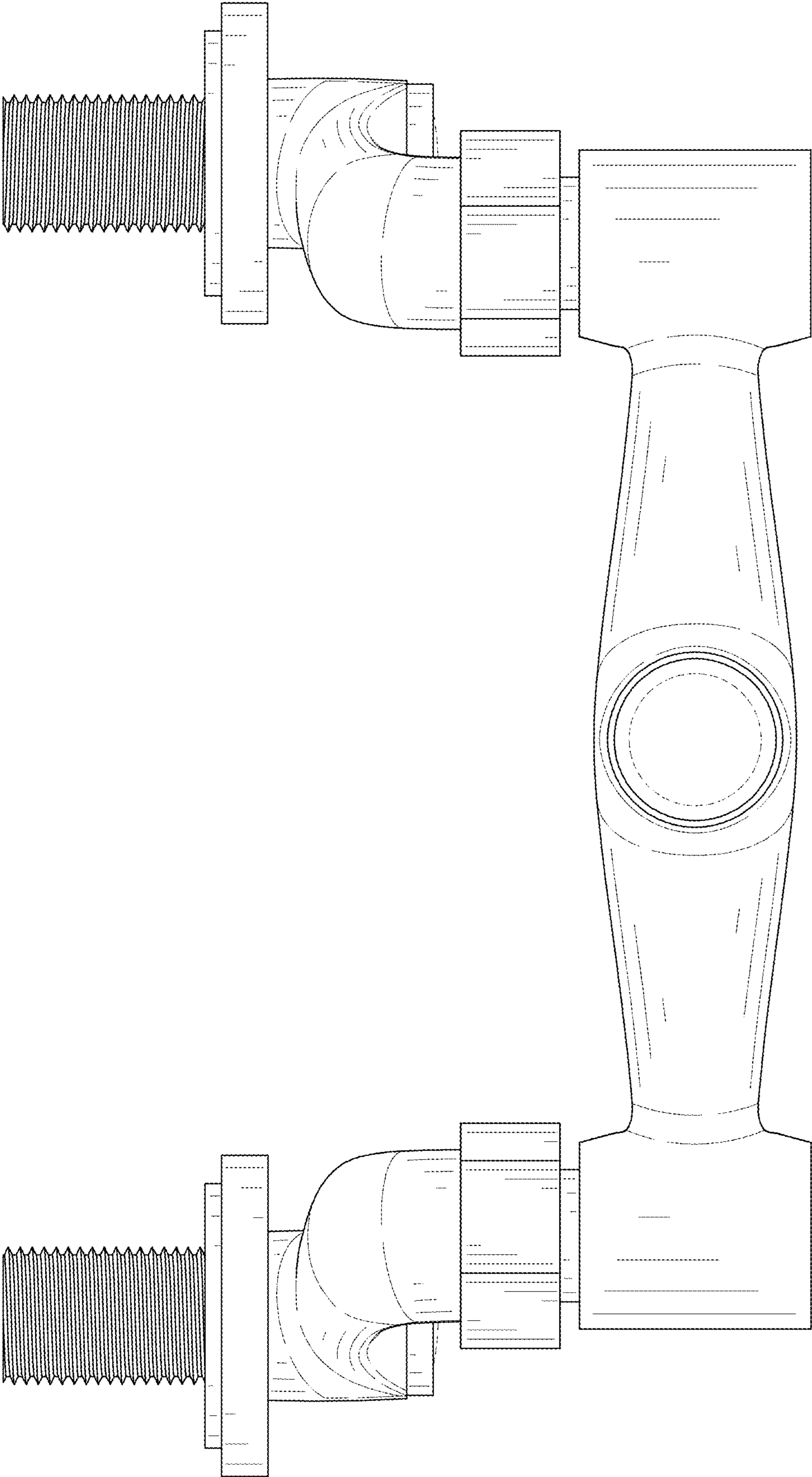


FIG. 3

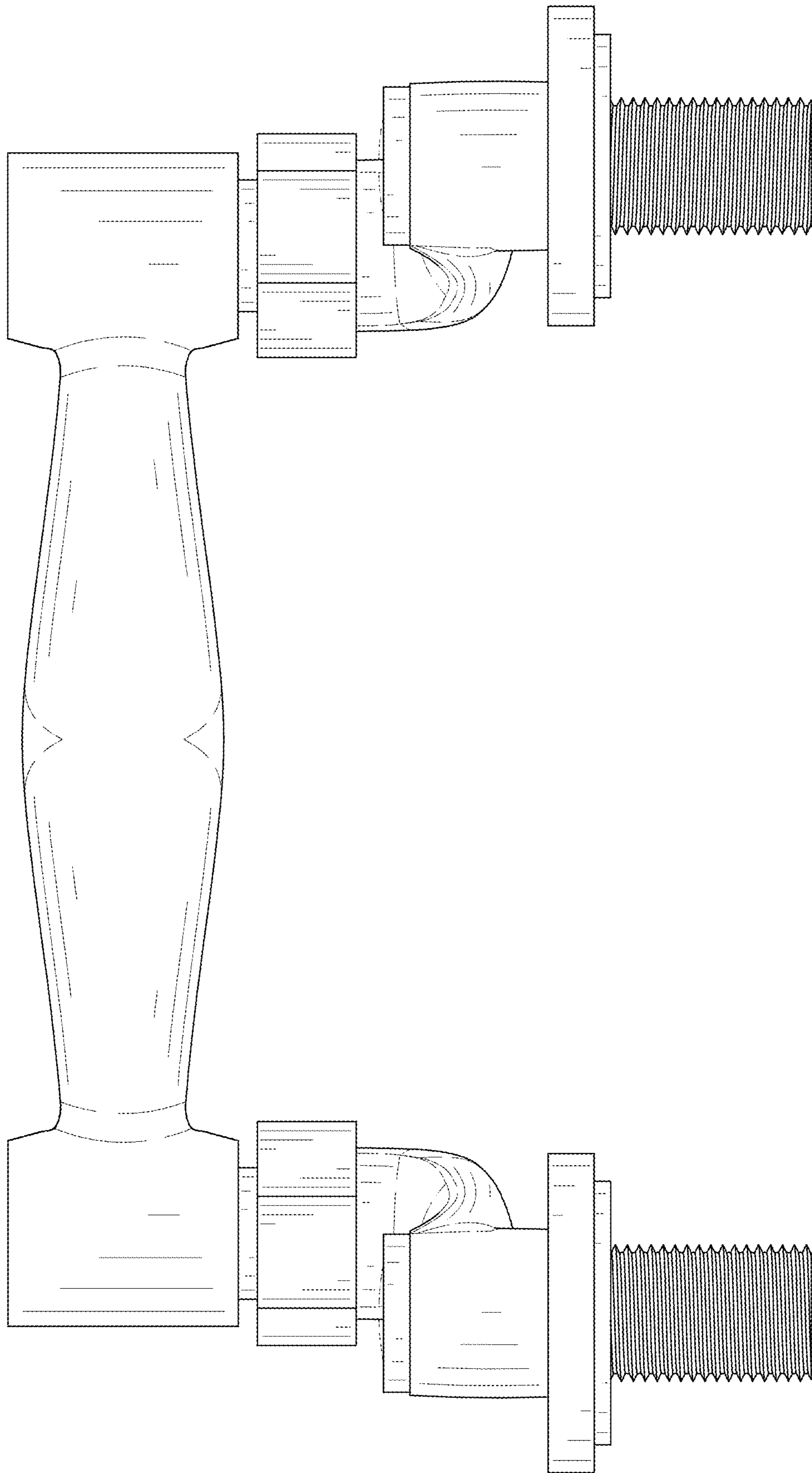


FIG. 4

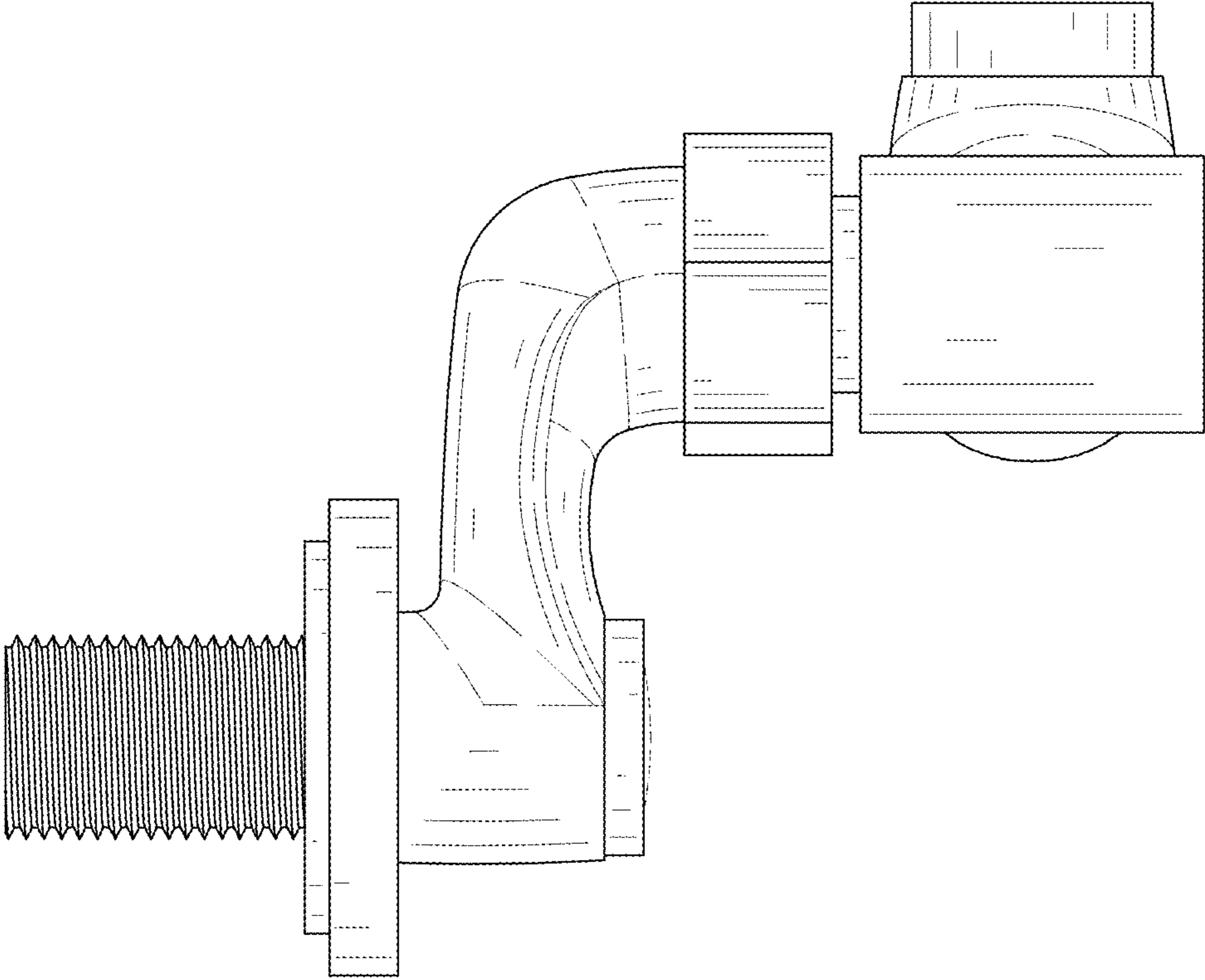


FIG. 5

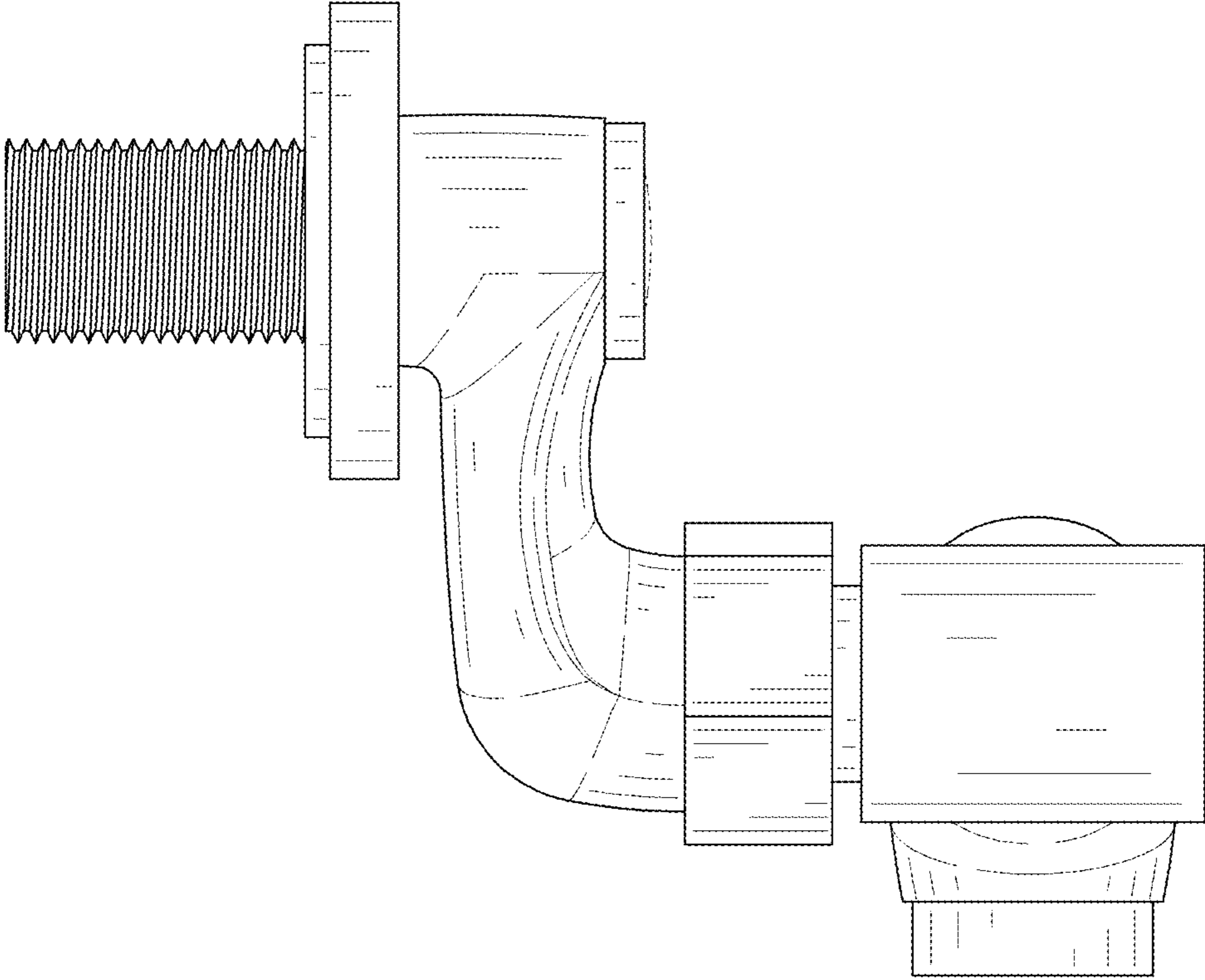


FIG. 6

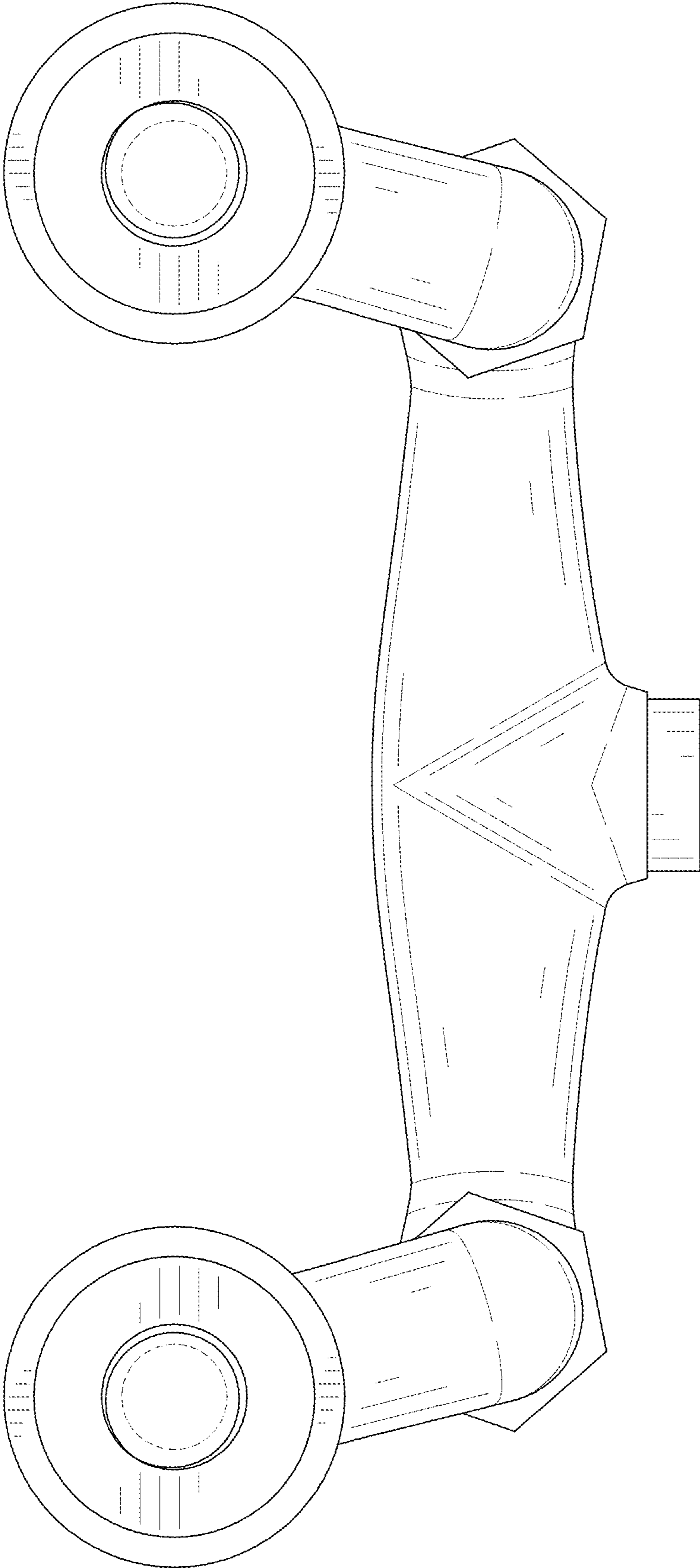


FIG. 7

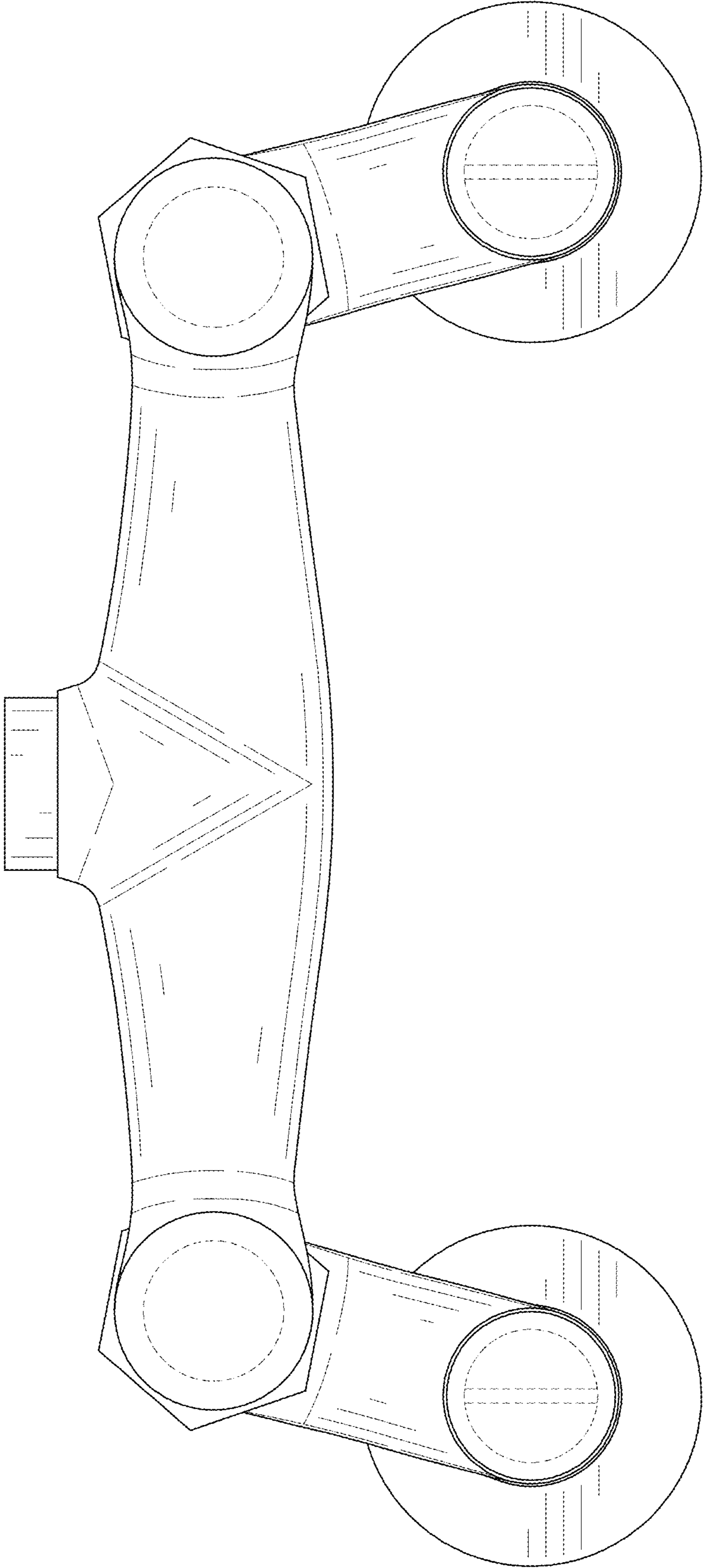


FIG. 8

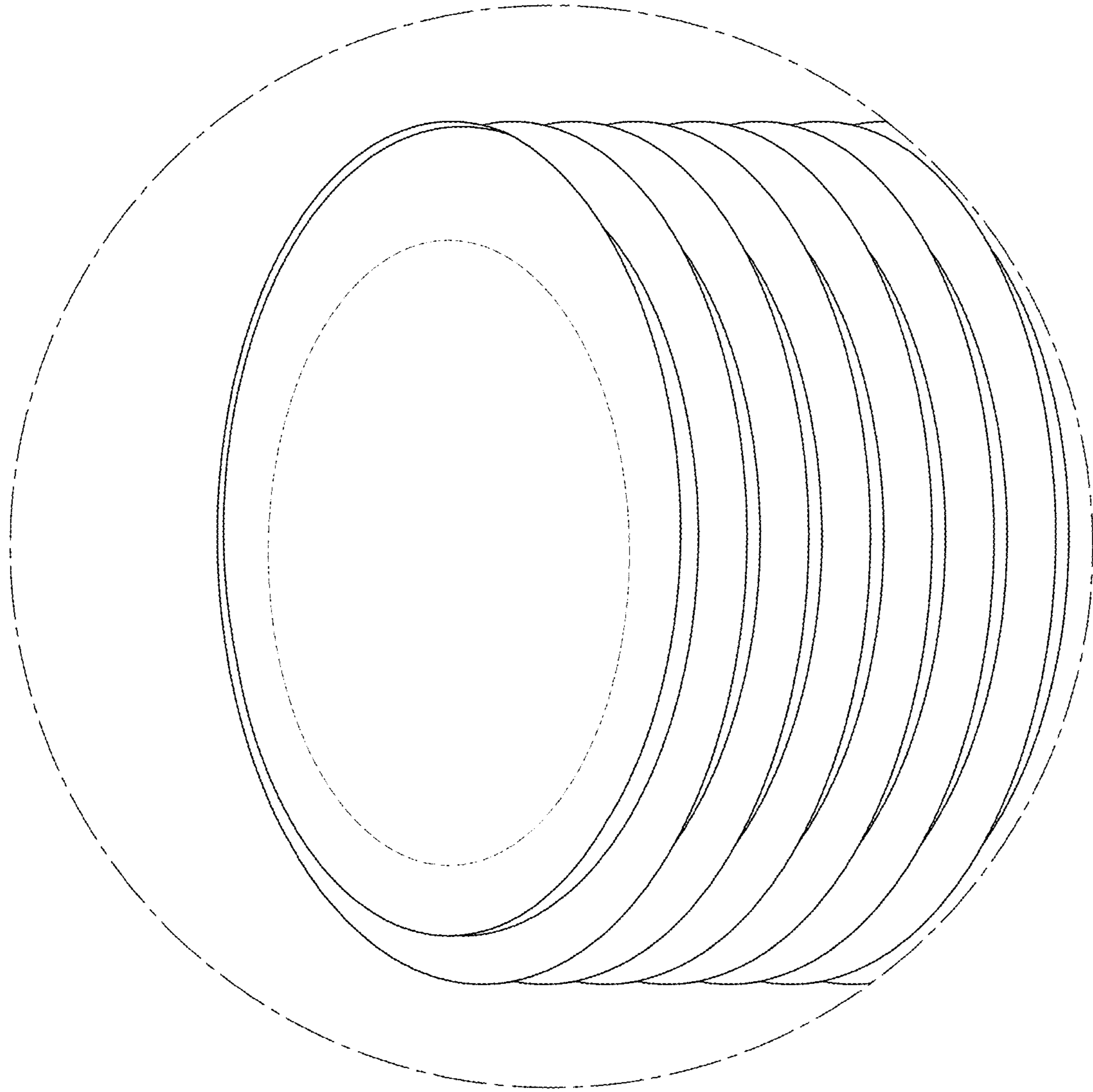


FIG. 9