



US00D925005S

(12) **United States Design Patent**
Liu

(10) **Patent No.:** **US D925,005 S**

(45) **Date of Patent:** **** Jul. 13, 2021**

(54) **FAUCET BODY**

(71) Applicant: **Qiwen Liu**, Hunan (CN)

(72) Inventor: **Qiwen Liu**, Hunan (CN)

(73) Assignee: **SHENZHEN MINGSHENG KITCHEN EQUIPMENT CO., LTD.**, Shenzhen (CN)

(**) Term: **15 Years**

(21) Appl. No.: **29/771,025**

(22) Filed: **Feb. 19, 2021**

(51) **LOC (13) Cl.** **23-01**

(52) **U.S. Cl.**
USPC **D23/241**

(58) **Field of Classification Search**
USPC D23/241-243, 249
CPC F16K 19/006
See application file for complete search history.

(56) **References Cited**

U.S. PATENT DOCUMENTS

- 4,672,994 A * 6/1987 Ko E03C 1/042
137/359
- 4,700,736 A * 10/1987 Sheen F16K 5/0414
137/315.13
- D523,929 S * 6/2006 Chung D23/241
- D579,082 S 10/2008 Yuan
- D581,498 S 11/2008 Dolan

- D620,560 S * 7/2010 Shieh D23/241
- D654,570 S 2/2012 Yu
- 8,302,620 B2 * 11/2012 Lin E03C 1/04
137/315.12
- D712,521 S 9/2014 Smith et al.
- D714,913 S 10/2014 Smith et al.
- D791,282 S 7/2017 Bahler
- D811,556 S 2/2018 Garland
- D877,861 S 3/2020 Garland
- 10,876,640 B2 * 12/2020 Wang F16K 19/006

* cited by examiner

Primary Examiner — Robert A Delehanty

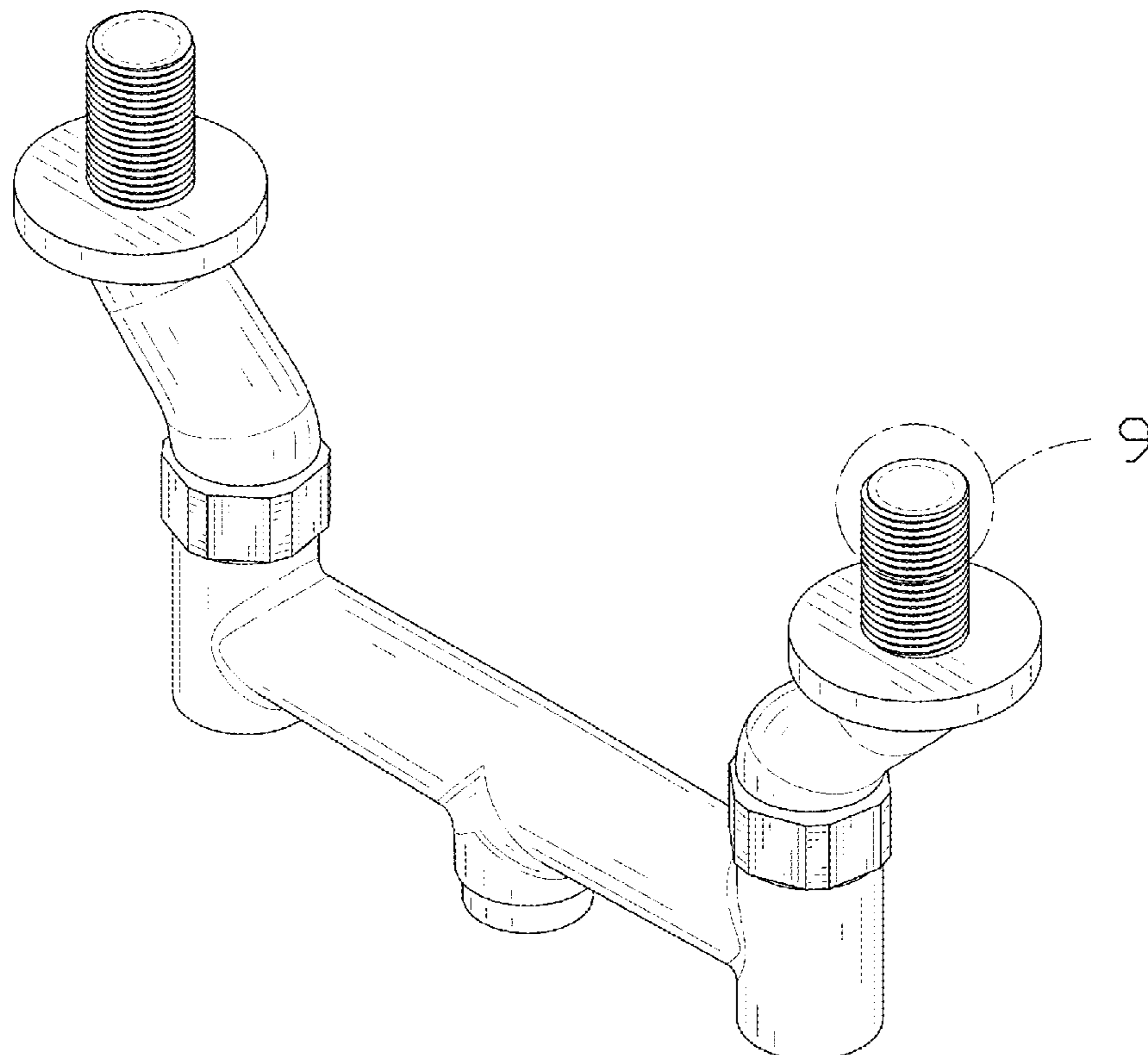
(57) **CLAIM**

The ornamental design for a faucet body, as shown and described.

DESCRIPTION

FIG. 1 is a perspective view of a faucet body showing my new design;
 FIG. 2 is another perspective view thereof;
 FIG. 3 is a front elevational view thereof;
 FIG. 4 is a rear elevational view thereof;
 FIG. 5 is a top plan view thereof;
 FIG. 6 is a bottom plan view thereof;
 FIG. 7 is a left side elevational view thereof;
 FIG. 8 is a right side elevational view thereof; and,
 FIG. 9 is an enlarged perspective view thereof.
 The broken lines throughout the drawing figures depict portions of the faucet body that form no part of the claimed design.

1 Claim, 9 Drawing Sheets



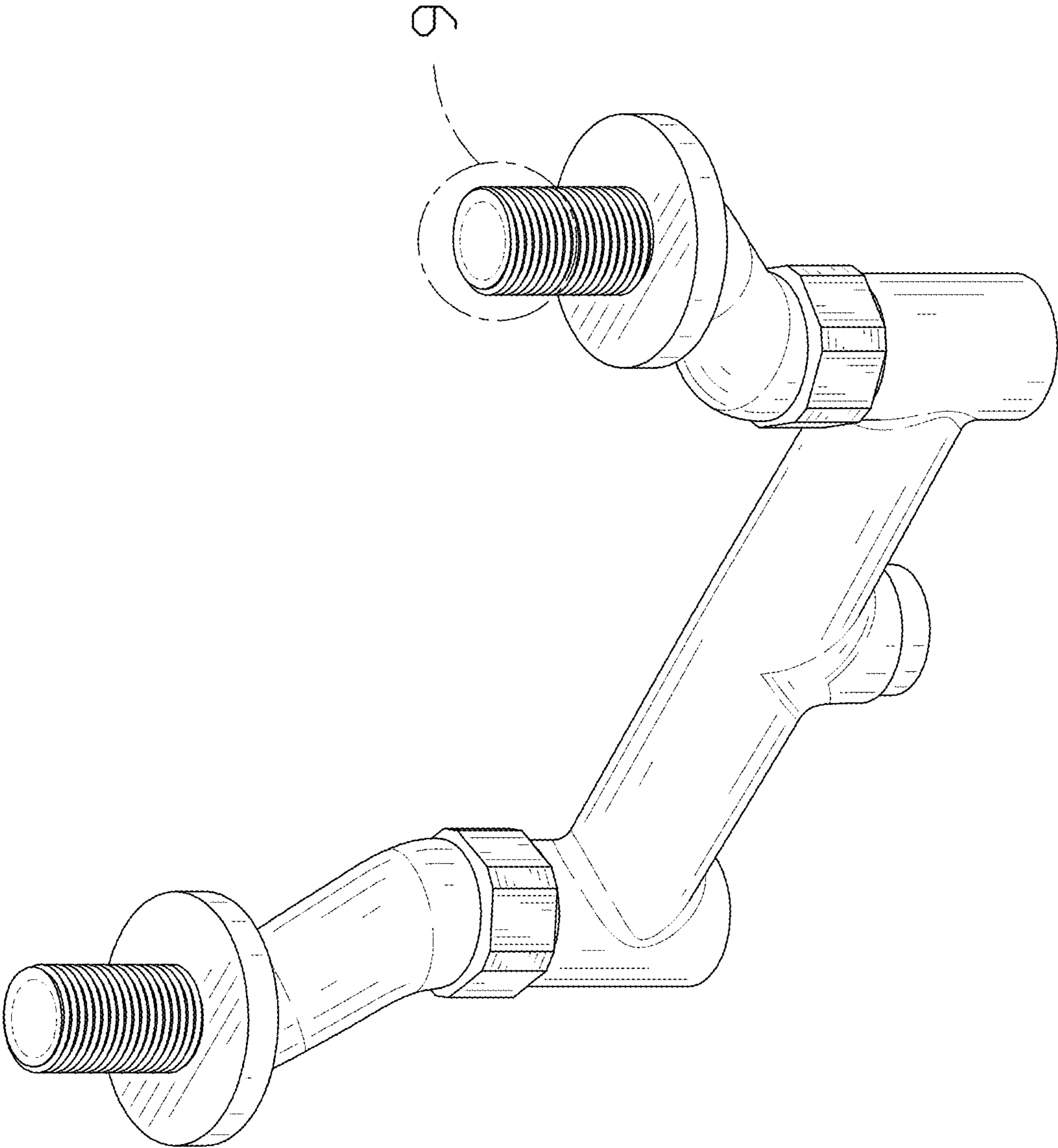


FIG. 1

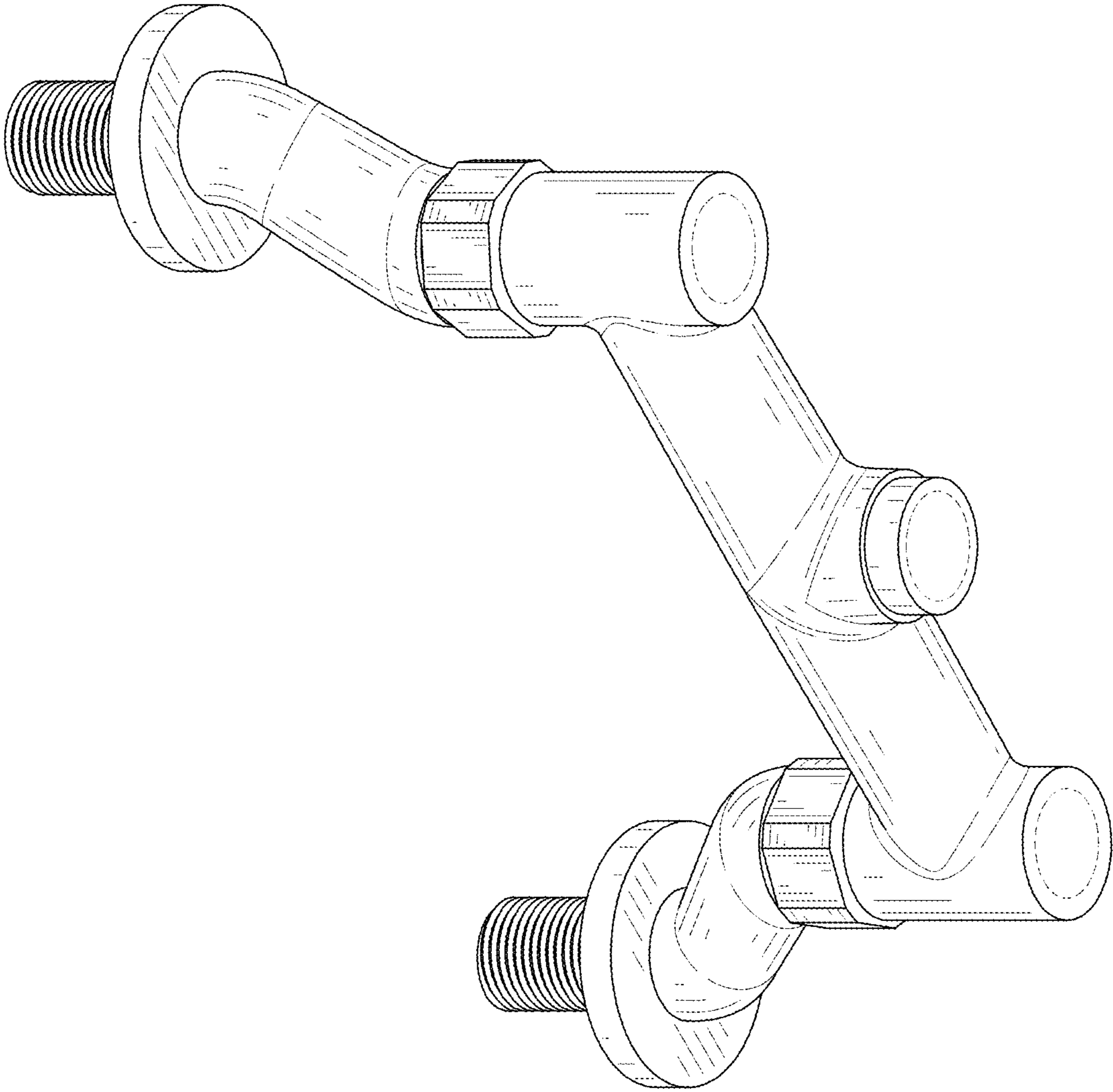


FIG. 2

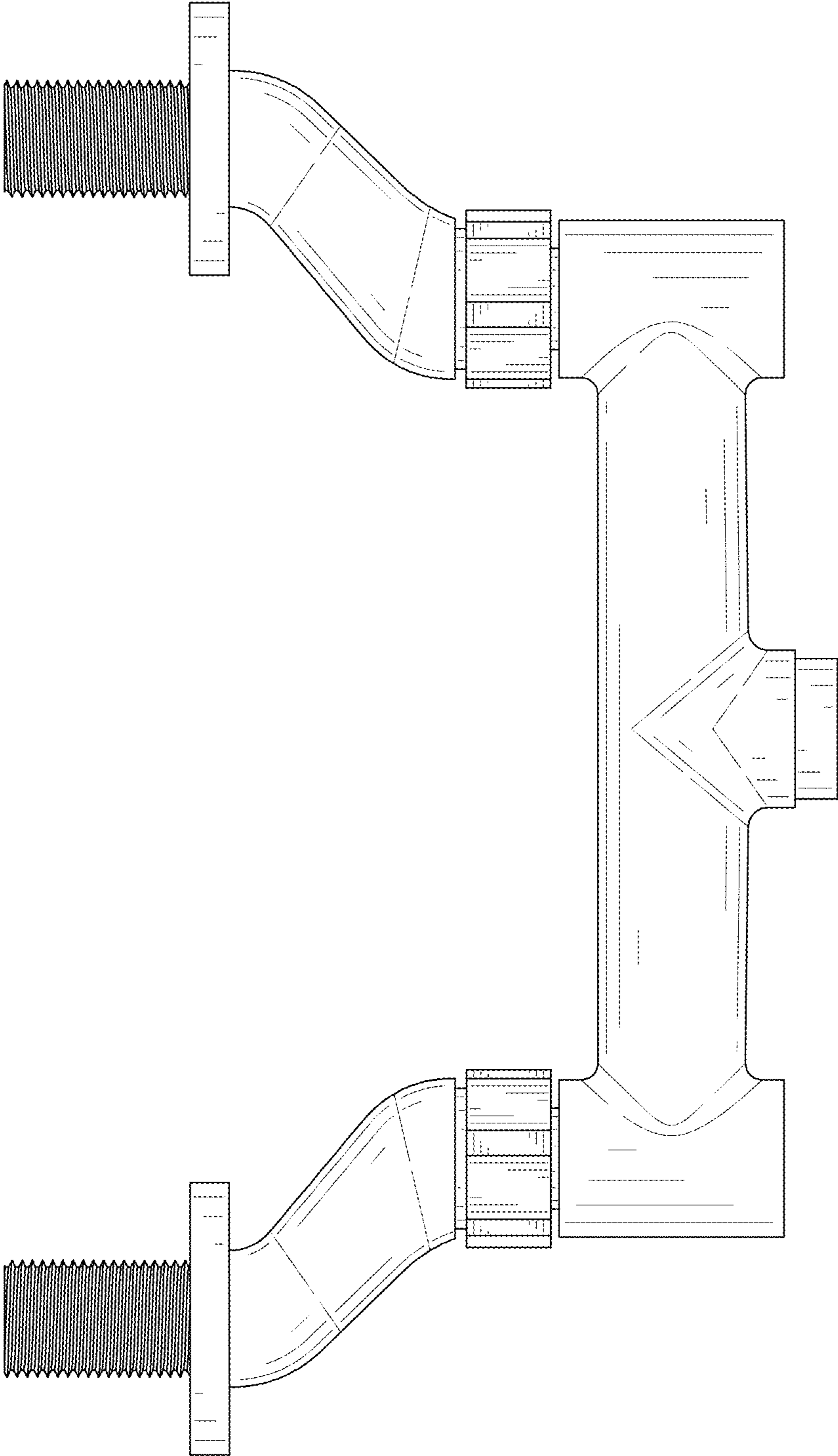


FIG. 3

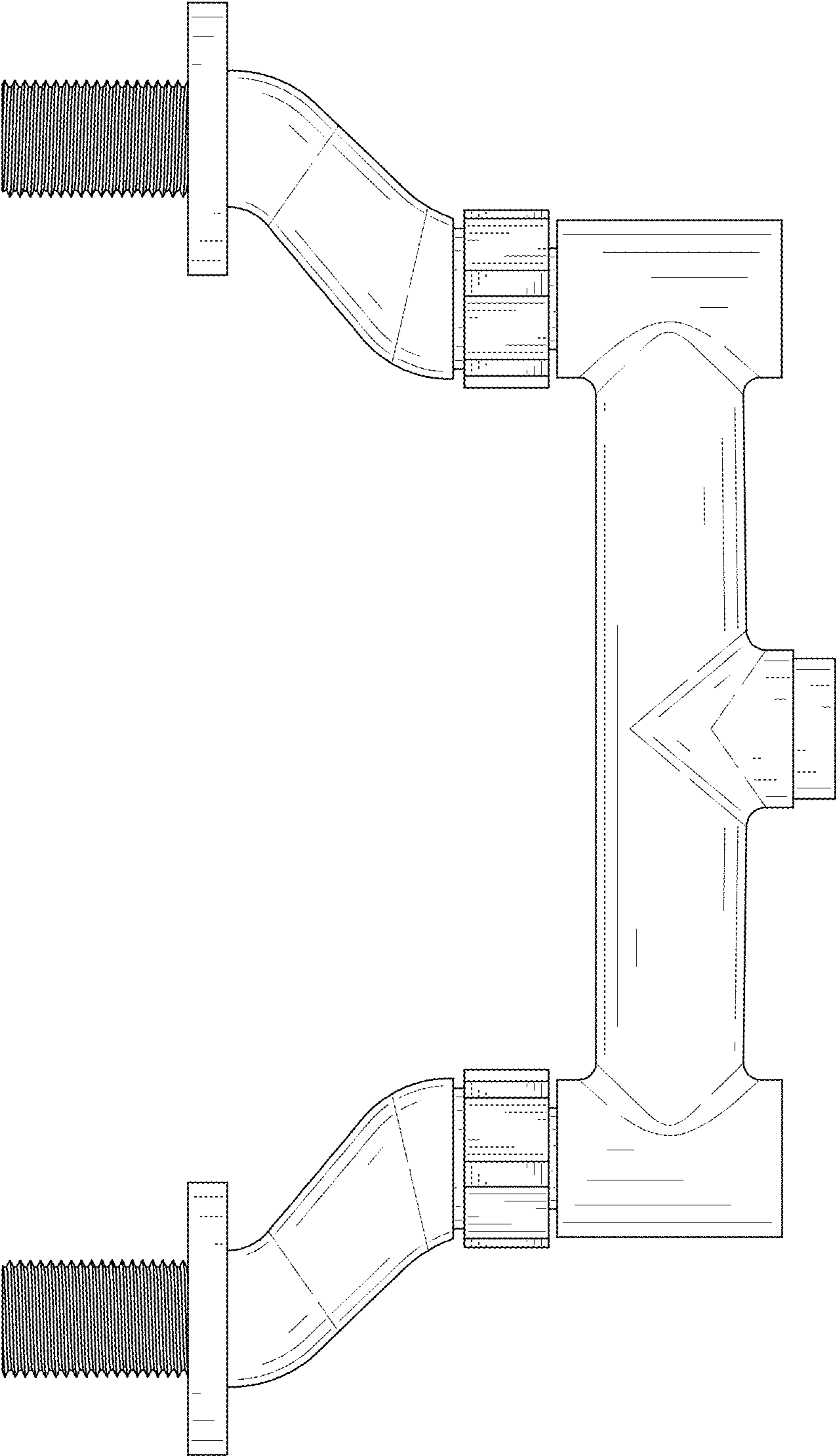


FIG. 4

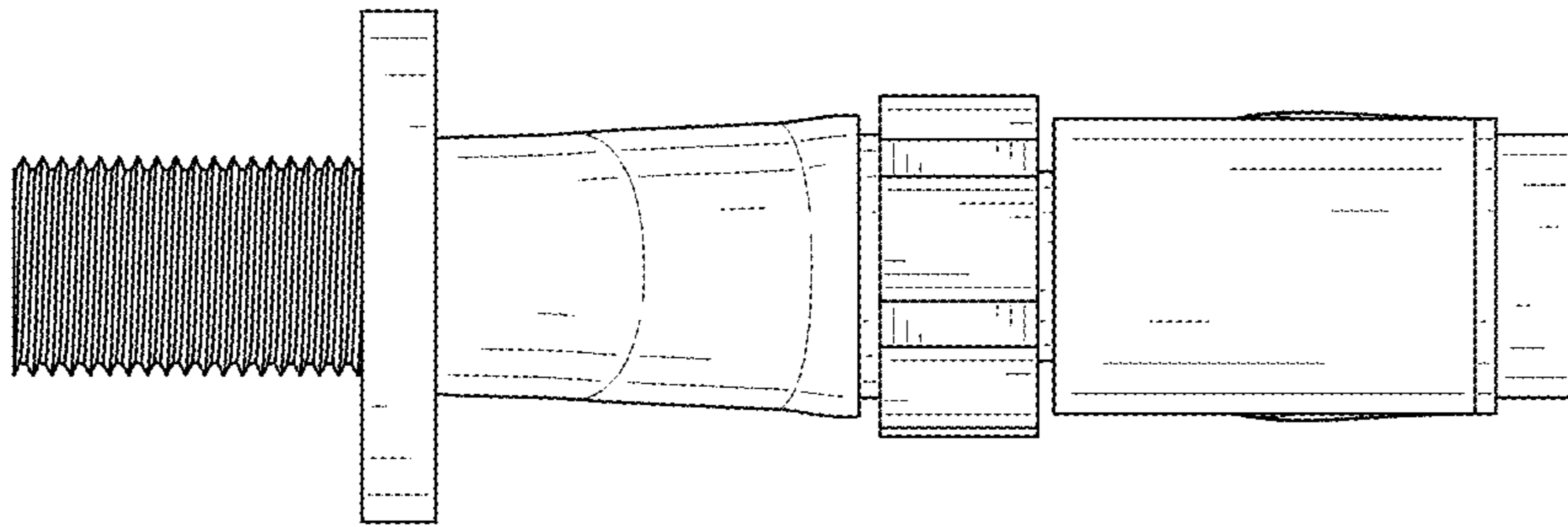


FIG. 5

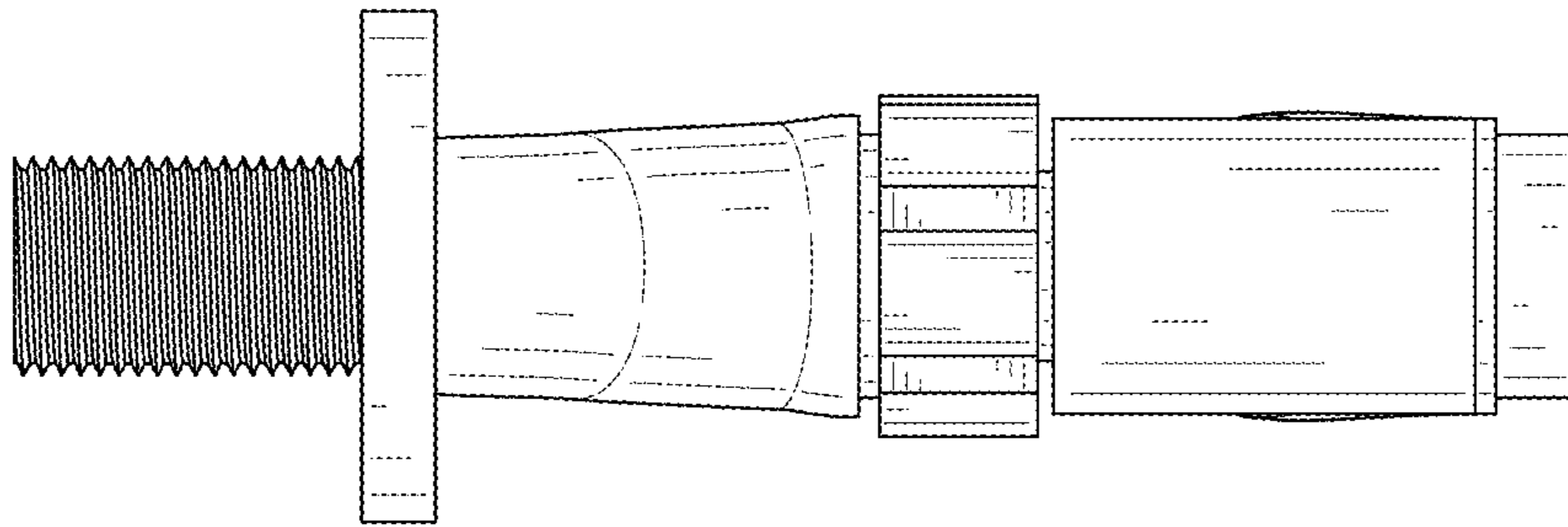


FIG. 6

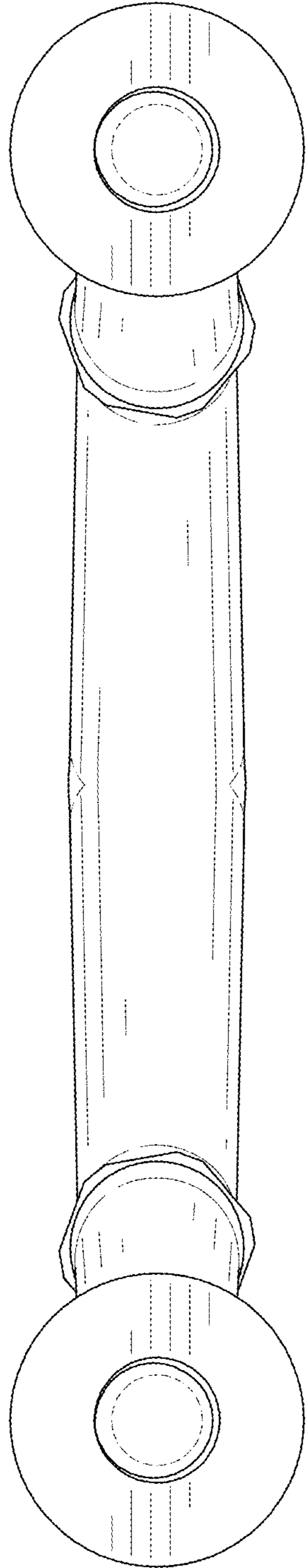


FIG. 7

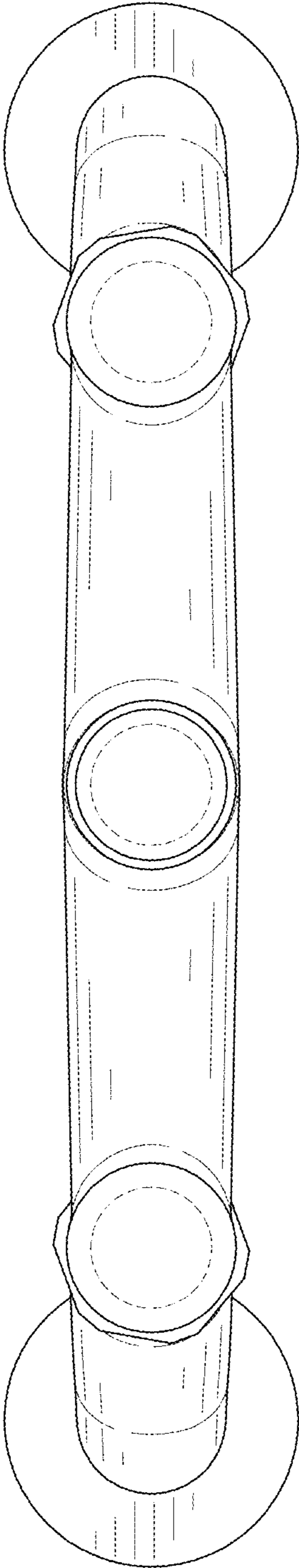


FIG. 8

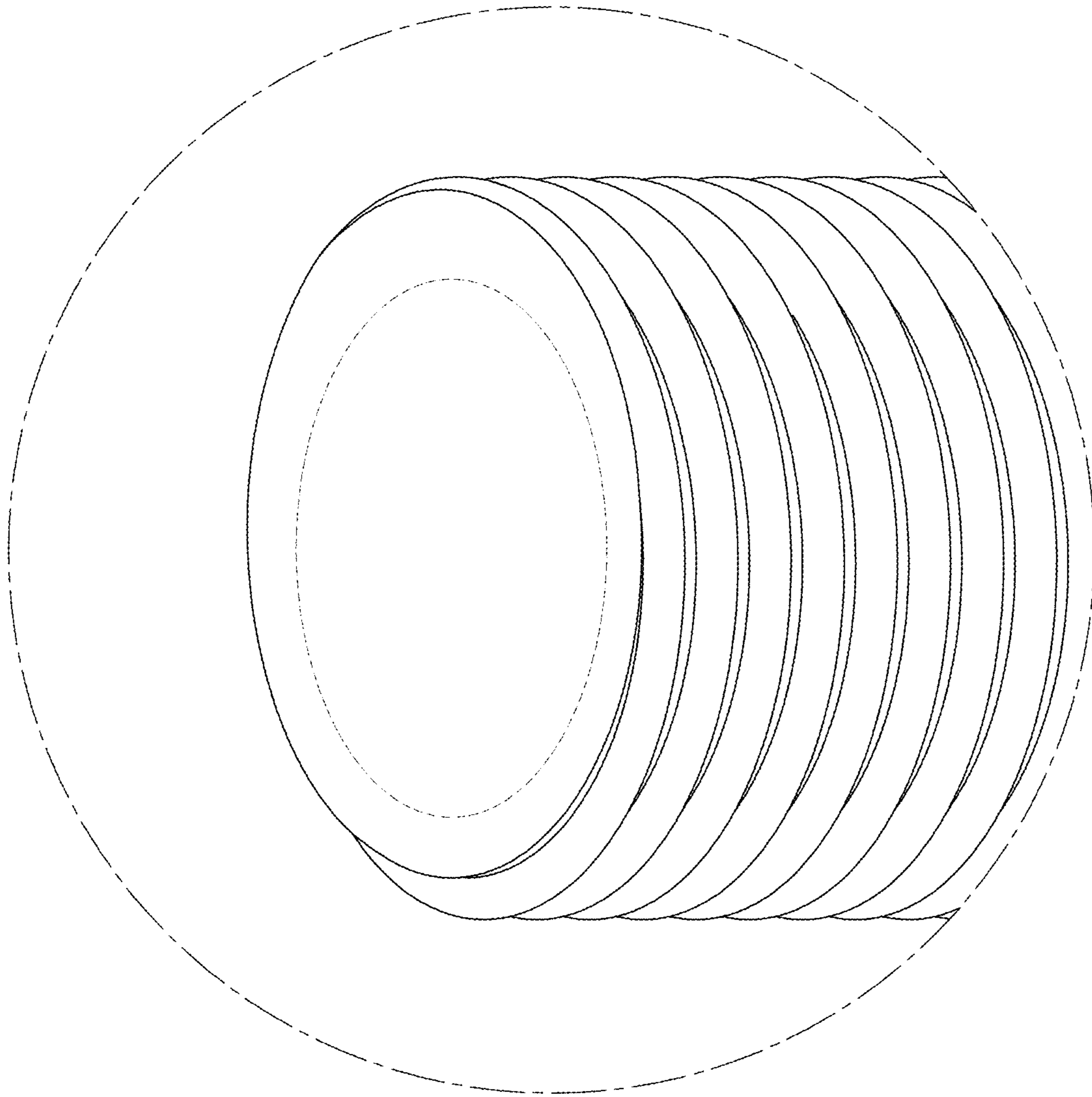


FIG. 9