



US00D925004S

(12) **United States Design Patent**  
**Zhen**

(10) **Patent No.:** **US D925,004 S**  
(45) **Date of Patent:** **\*\* Jul. 13, 2021**

(54) **BASIN FAUCET**

(71) Applicant: **Yanzhang Zhen**, Kaiping (CN)

(72) Inventor: **Yanzhang Zhen**, Kaiping (CN)

(\*\*) Term: **15 Years**

(21) Appl. No.: **29/714,297**

(22) Filed: **Nov. 22, 2019**

(51) **LOC (13) Cl.** ..... **23-01**

(52) **U.S. Cl.**  
USPC ..... **D23/238**

(58) **Field of Classification Search**  
USPC ..... D23/238-244, 252, 254-255, 257;  
D8/307-308

CPC .... F16K 31/602; F16K 31/605; F16K 31/607;  
E03C 1/0412

See application file for complete search history.

(56) **References Cited**

**U.S. PATENT DOCUMENTS**

D471,254 S *	3/2003	Bonnell	.....	D23/238
D551,323 S *	9/2007	Krumpe	.....	D23/238
D566,817 S *	4/2008	Isaacs	.....	D23/255
D594,936 S *	6/2009	Schoenherr	.....	D23/238
D620,559 S *	7/2010	Romero	.....	D23/238
D654,568 S *	2/2012	Yu	.....	D23/238
D656,590 S *	3/2012	Ko	.....	D23/257
D684,666 S *	6/2013	Lord	.....	D23/238
D696,385 S *	12/2013	Flowers	.....	D23/238
D715,408 S *	10/2014	Georgeson	.....	D23/255
D719,644 S *	12/2014	Sedwick	.....	D23/255
D752,717 S *	3/2016	Eads	.....	D23/238
D773,613 S *	12/2016	Flowers	.....	D23/238
D796,635 S *	9/2017	Li	.....	D23/238
D797,237 S *	9/2017	Zhang	.....	D23/238
D797,243 S *	9/2017	Zhang	.....	D23/238
D803,986 S *	11/2017	Schoenherr	.....	D23/238
D817,453 S *	5/2018	Wang	.....	D23/238

D820,957 S *	6/2018	Schaubach	.....	D23/238
D823,987 S *	7/2018	Downey	.....	D23/238
D840,506 S *	2/2019	Garland	.....	D23/238

(Continued)

**FOREIGN PATENT DOCUMENTS**

CN	303233655	*	10/2014
CN	305499852	*	6/2019
CN	305853525	*	11/2019

**OTHER PUBLICATIONS**

BWE Single Hondle Brass Bathroom Foucet, announced May 6, 2016[online], [site visited Mar. 8, 2021]. Available from internet, URL: <<https://www.amazon.com/BWE-Bathroom-Brushed-Lavatory-Commercial/dp/B01F8BCLNO>> (Year: 2016).\*

(Continued)

*Primary Examiner* — Barbara Fox

*Assistant Examiner* — Jamaal Rasheed

(74) *Attorney, Agent, or Firm* — Rumit Ranjit Kanakia

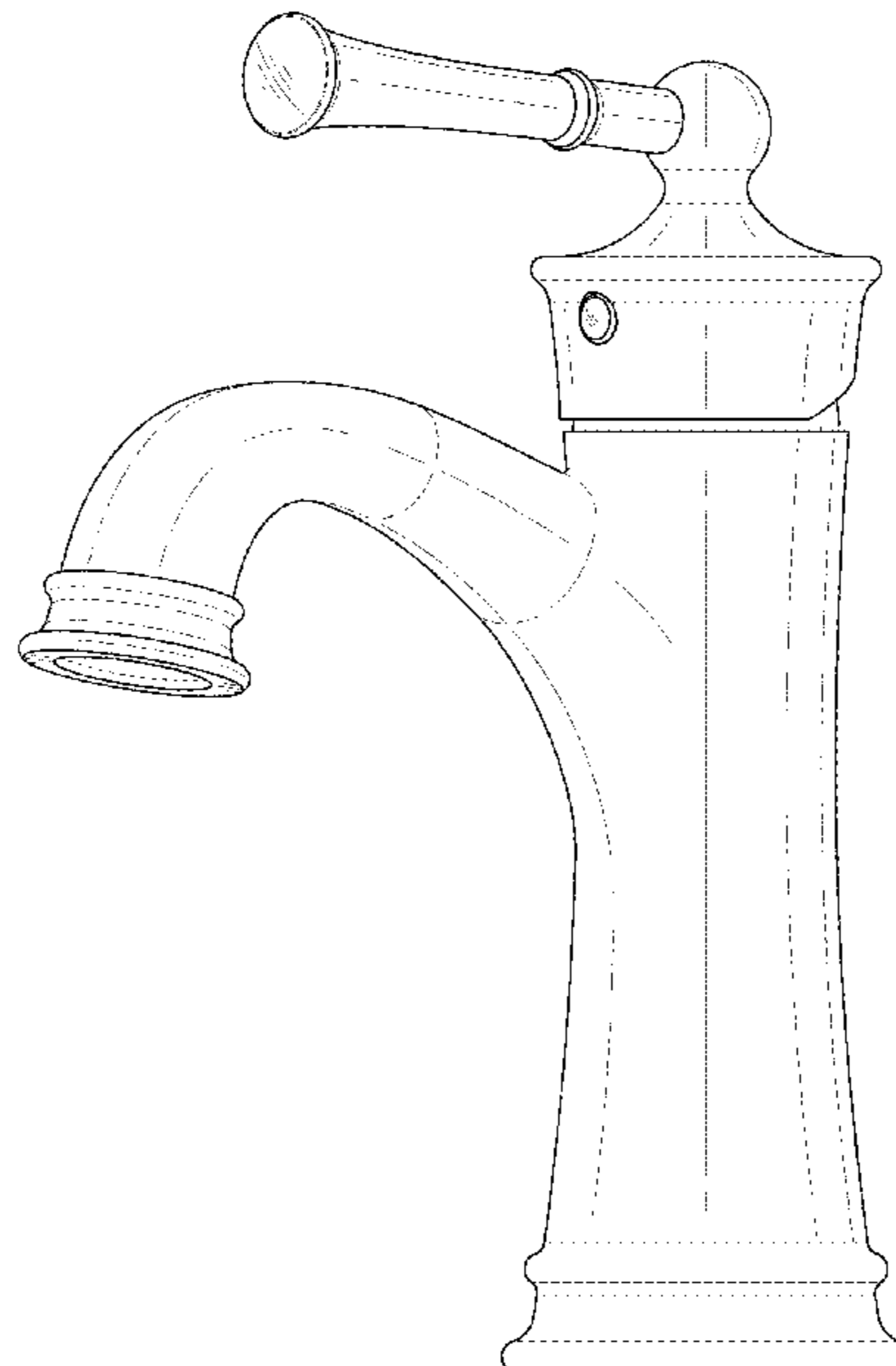
(57) **CLAIM**

I claim the ornamental design for a basin faucet, as shown and described.

**DESCRIPTION**

FIG. 1 is a Perspective view of a basin faucet showing my new design;  
FIG. 2 is another Perspective view thereof;  
FIG. 3 is a Front view thereof;  
FIG. 4 is a Back view thereof;  
FIG. 5 is a Right-side view thereof;  
FIG. 6 is a Left-side view thereof;  
FIG. 7 is a Top view thereof; and,  
FIG. 8 is a Bottom view thereof.  
The broken lines shown in the drawings depict portions of the basin faucet that form no part of the claimed design.

**1 Claim, 8 Drawing Sheets**



(56)

**References Cited**

U.S. PATENT DOCUMENTS

D840,507 S \* 2/2019 Garland ..... D23/238  
D874,614 S \* 2/2020 Lazarini ..... D23/238

OTHER PUBLICATIONS

Moen 4507BN Wynford One-Handle High Arc Vessel Bathroom  
Faucet, announced Apr. 24, 2015[online], [site visited Mar. 11,  
2021]. Available from internet, URL:<[https://www.amazon.com/  
Moen-4507BN-Wynford-One-Handle-Bathroom/dp/  
B00WM6RRVK](https://www.amazon.com/Moen-4507BN-Wynford-One-Handle-Bathroom/dp/B00WM6RRVK)> (Year: 2015).\*

\* cited by examiner

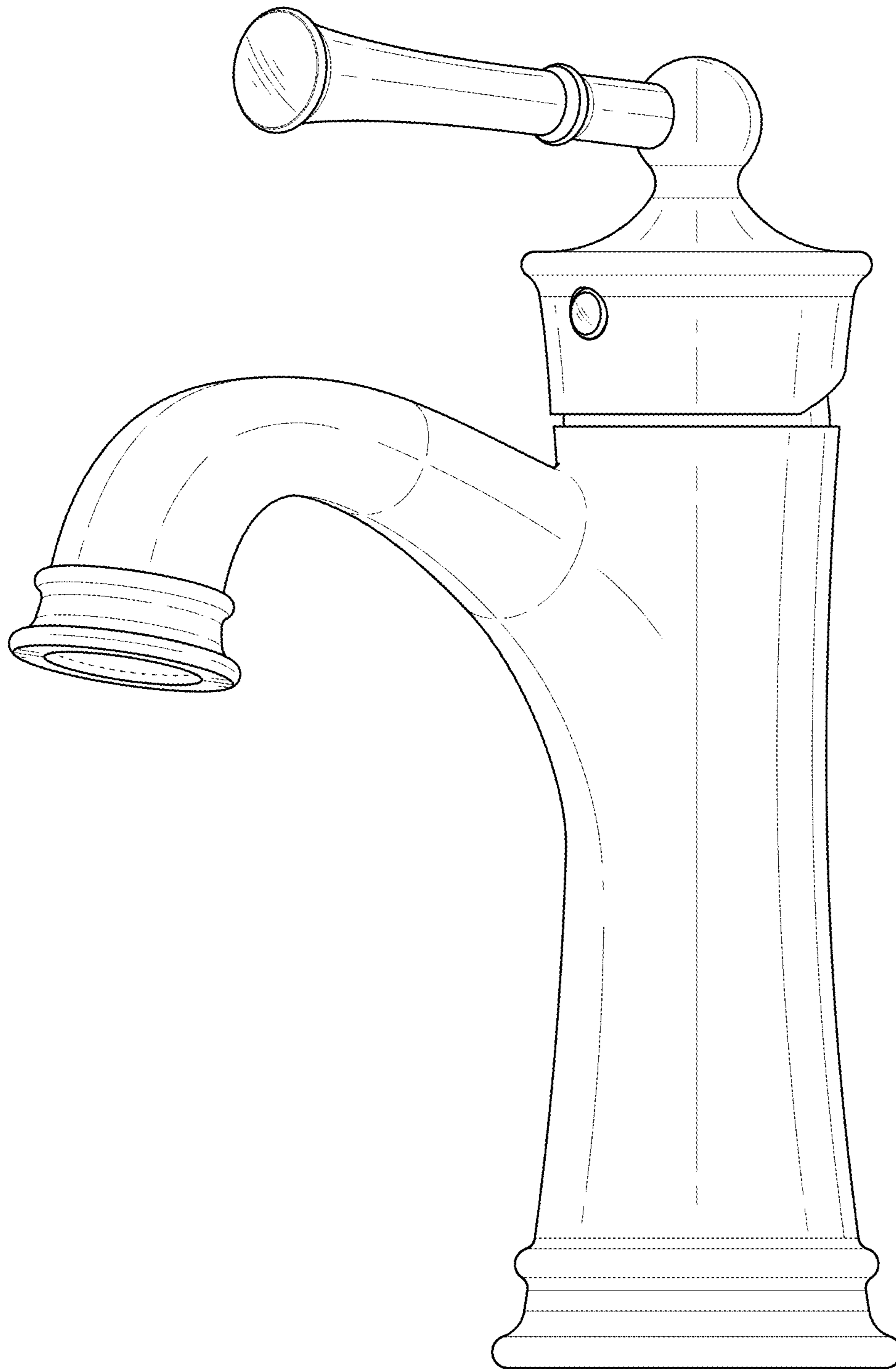


FIG. 1

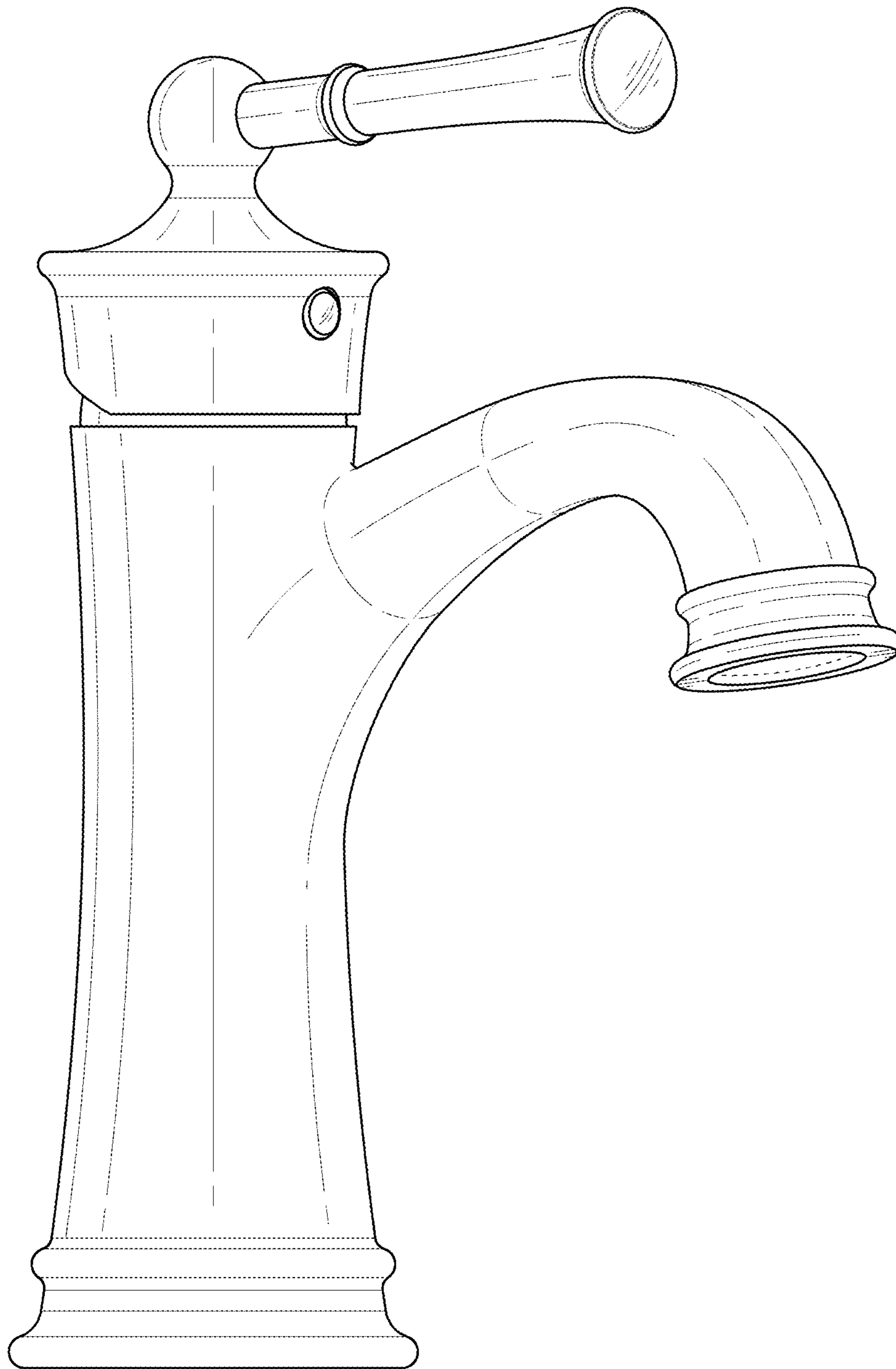


FIG. 2

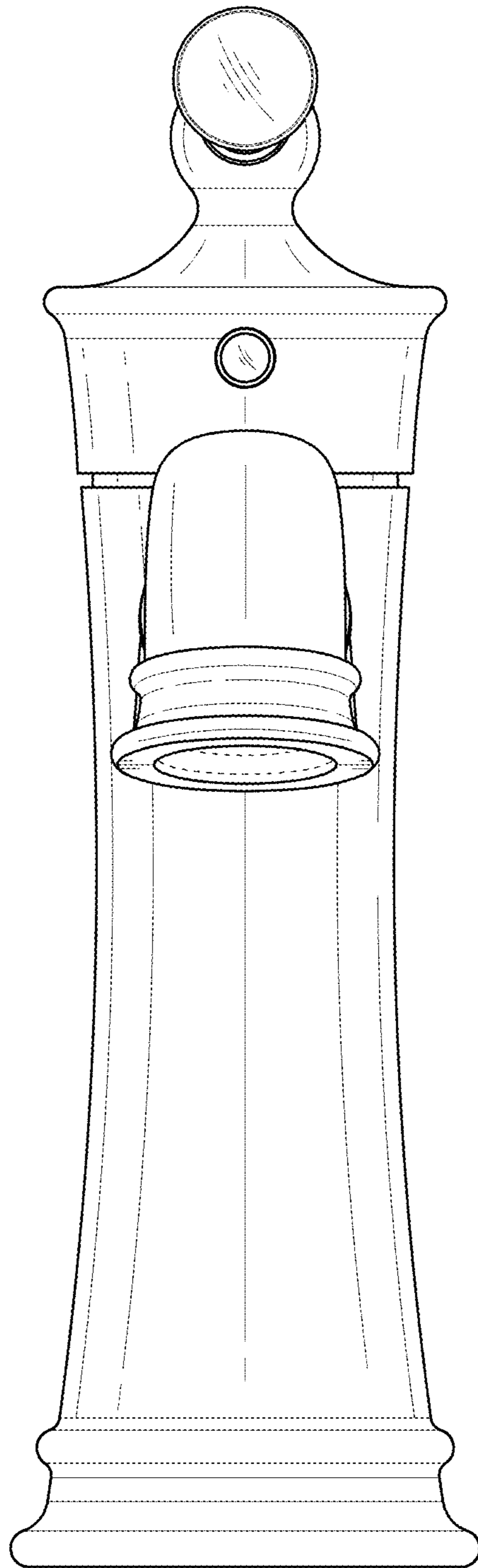


FIG. 3

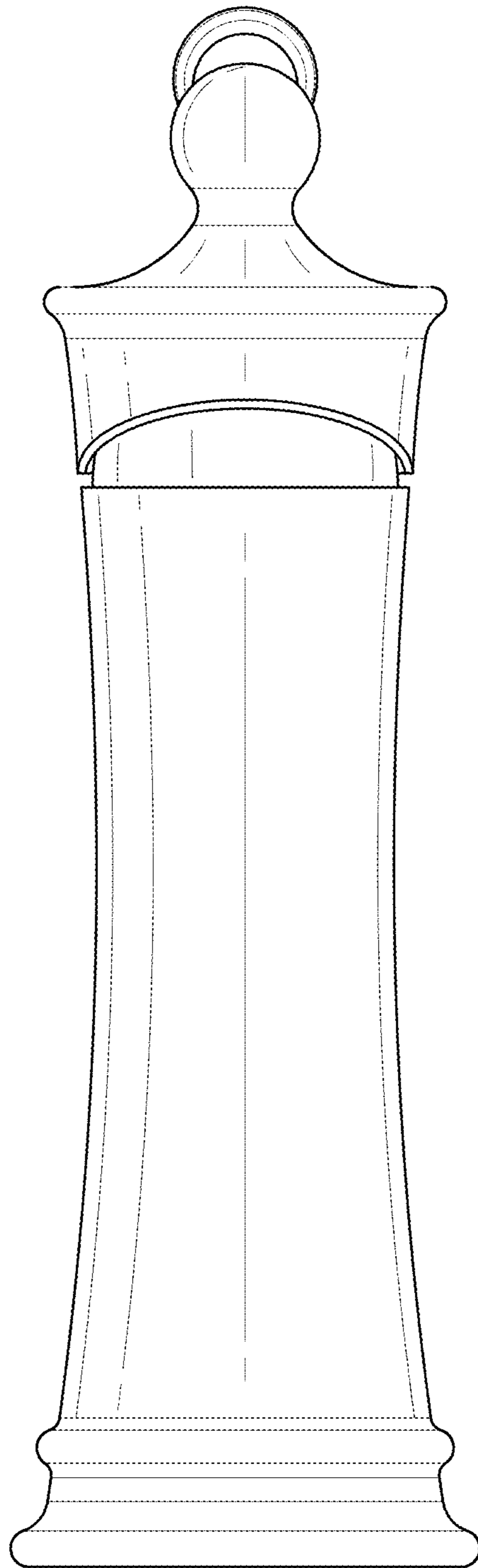


FIG. 4

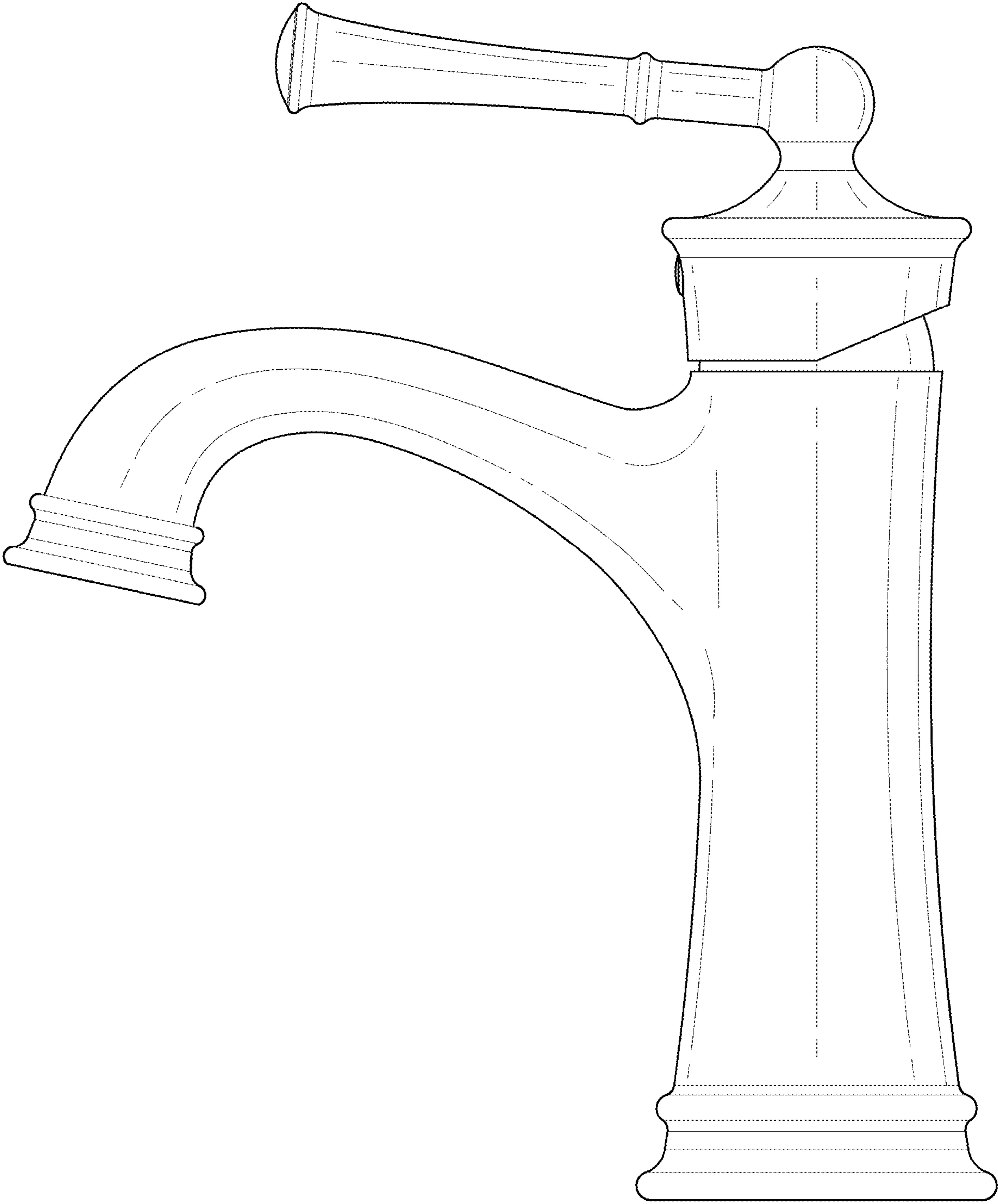


FIG. 5

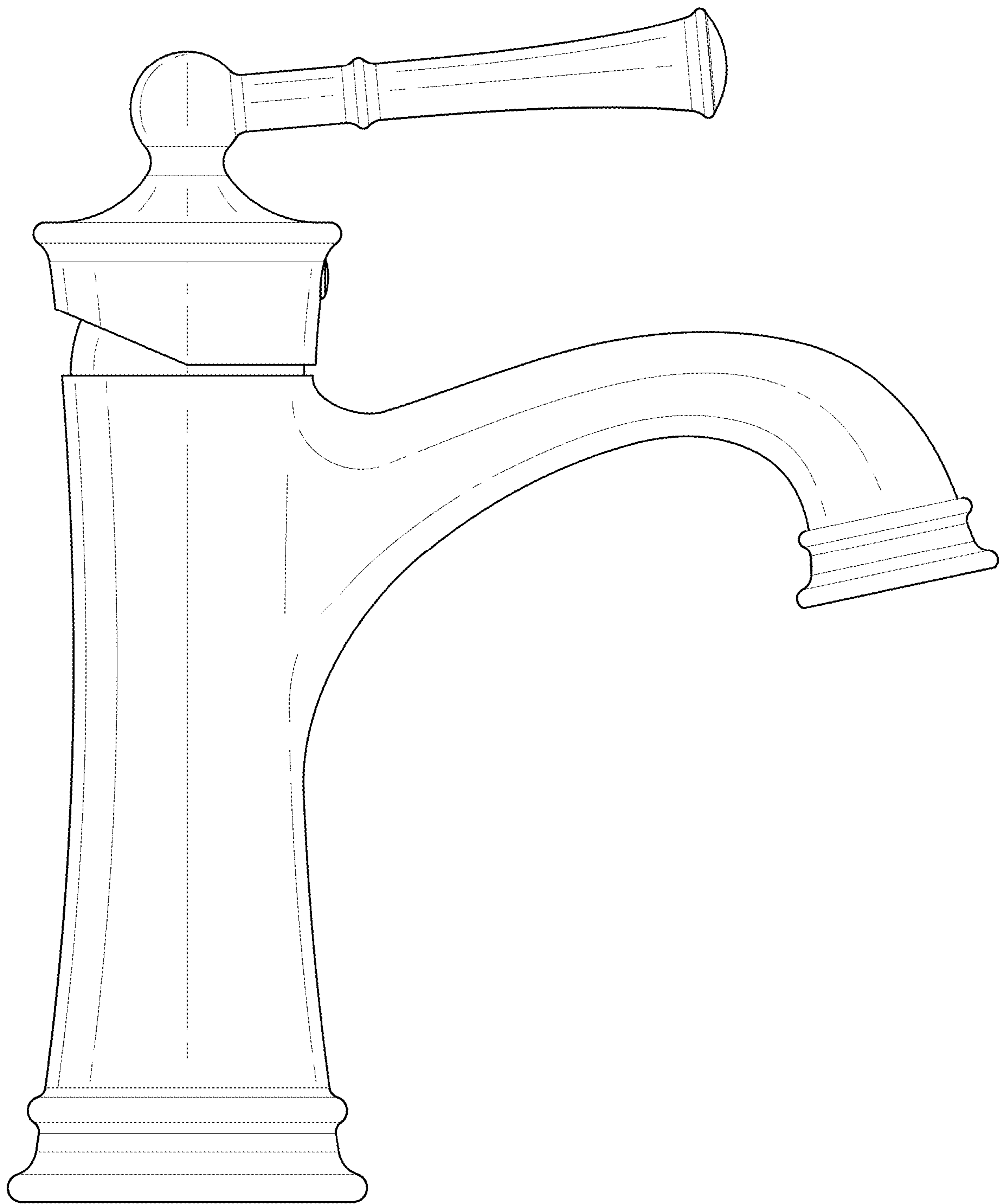


FIG. 6



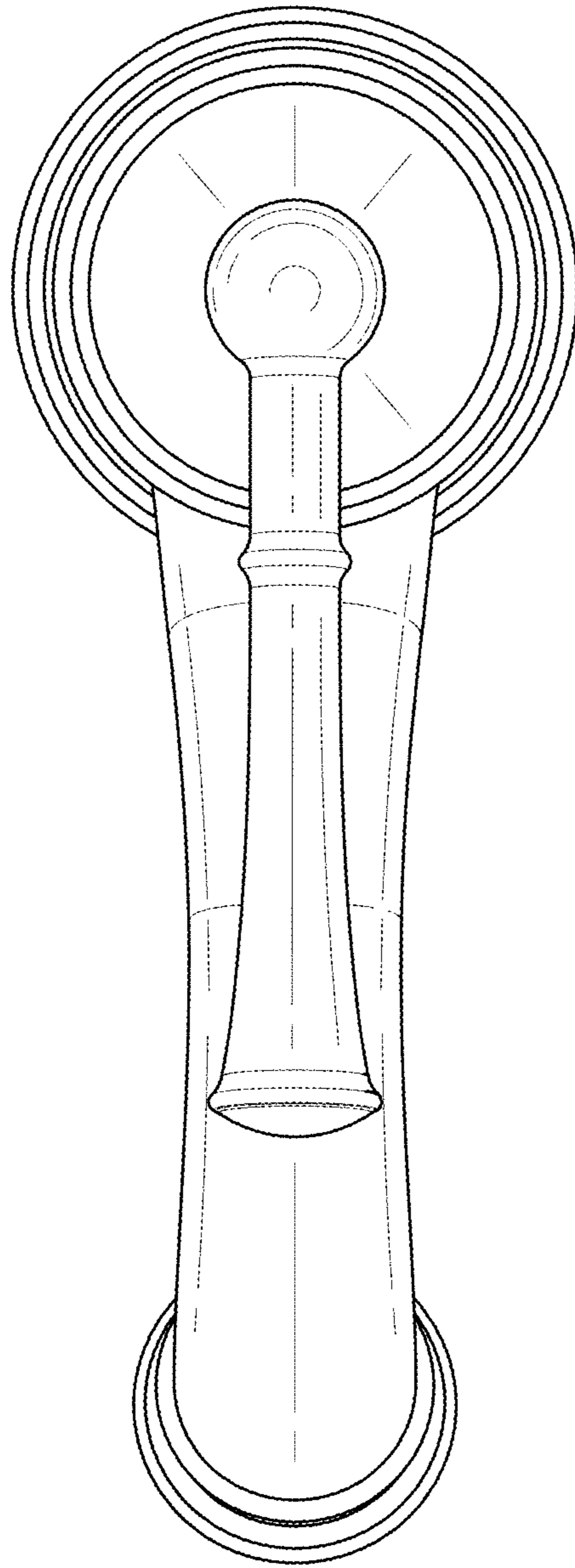


FIG. 7

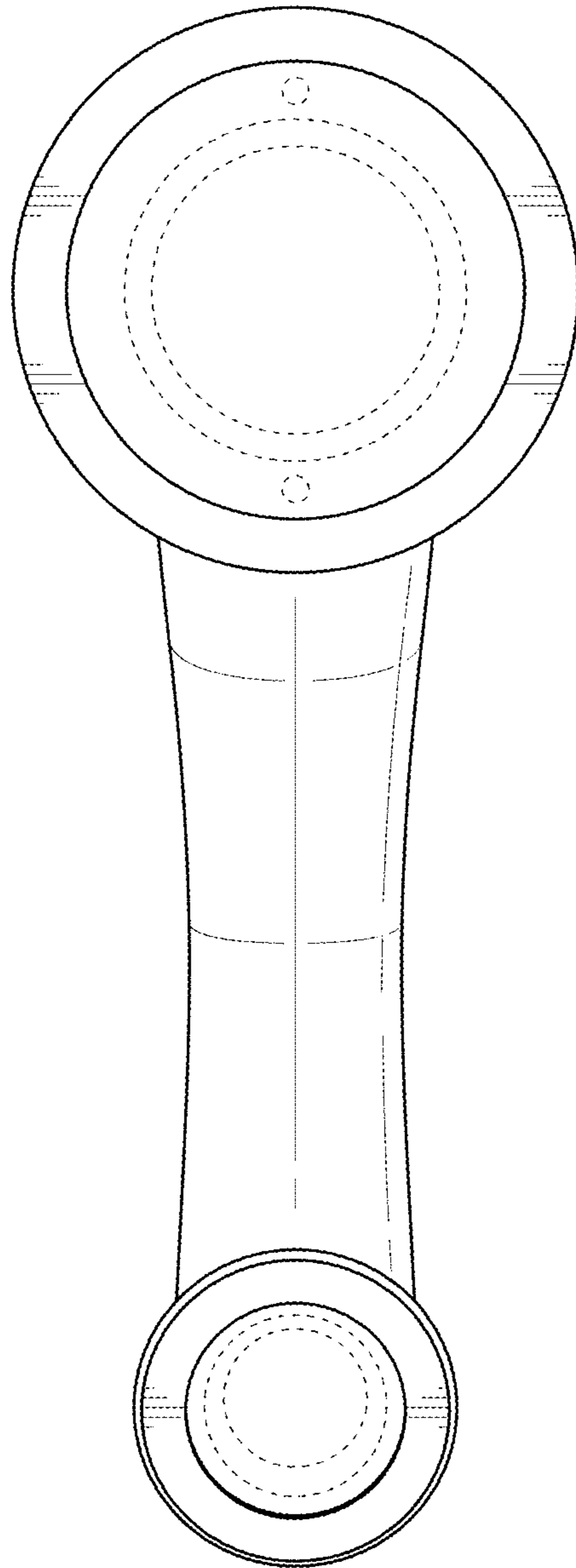


FIG. 8