



US00D925003S

(12) **United States Design Patent** (10) **Patent No.:** **US D925,003 S**
Ellis (45) **Date of Patent:** **** Jul. 13, 2021**

(54) **HOUSING**
(71) Applicant: **KA Worldwide, LLC**, Madeira Beach, FL (US)
(72) Inventor: **Cayman Ellis**, Madeira Beach, FL (US)
(73) Assignee: **KA Worldwide, LLC**, Madeira Beach, FL (US)
(**) Term: **15 Years**
(21) Appl. No.: **29/707,116**
(22) Filed: **Sep. 26, 2019**
(51) **LOC (13) Cl.** **23-01**
(52) **U.S. Cl.**
USPC **D23/233; D15/7**
(58) **Field of Classification Search**
USPC D12/300, 317; D15/4, 5, 9; D23/206, D23/213, 214, 233-235, 245, 249, 257, D23/259, 260, 270
CPC B63H 21/38; F01P 3/38; F02B 61/045
See application file for complete search history.

(56) **References Cited**

U.S. PATENT DOCUMENTS

D385,889 S	*	11/1997	Kullas	D15/7
D416,310 S	*	11/1999	Uehara	D23/235
D632,702 S	*	2/2011	Gruber	D15/7
D633,100 S	*	2/2011	Lundberg	D15/1
D641,383 S	*	7/2011	Gruber	D15/7
D710,398 S	*	8/2014	Oeder	D15/28
D710,399 S	*	8/2014	Oeder	D15/28
D710,400 S	*	8/2014	Oeder	D15/28
D727,972 S	*	4/2015	Jhou	D15/9
D730,945 S	*	6/2015	Leasure	D15/9
D734,367 S	*	7/2015	Jhou	D15/9
D755,927 S	*	5/2016	Holmberg	D23/233

D796,007 S	*	8/2017	Ueno	D23/233
D796,008 S	*	8/2017	Ueno	D23/233
D797,582 S	*	9/2017	Ewringmann	D10/70
D820,955 S	*	6/2018	Ito	D23/235
D820,956 S	*	6/2018	Ito	D23/235
D835,755 S	*	12/2018	Sato	D23/233
D844,107 S	*	3/2019	Ito	D23/233
D854,659 S	*	7/2019	Sakamoto	D23/235
D870,636 S	*	12/2019	Boykin	D12/317
D890,900 S	*	7/2020	Bink	D23/364
D897,281 S	*	9/2020	Shum	D13/107

* cited by examiner

Primary Examiner — Michael C Stout

Assistant Examiner — Fritzgerald L Butac

(74) *Attorney, Agent, or Firm* — Larson & Larson, P.A.; Justin P. Miller; Frank Liebenow

(57) **CLAIM**

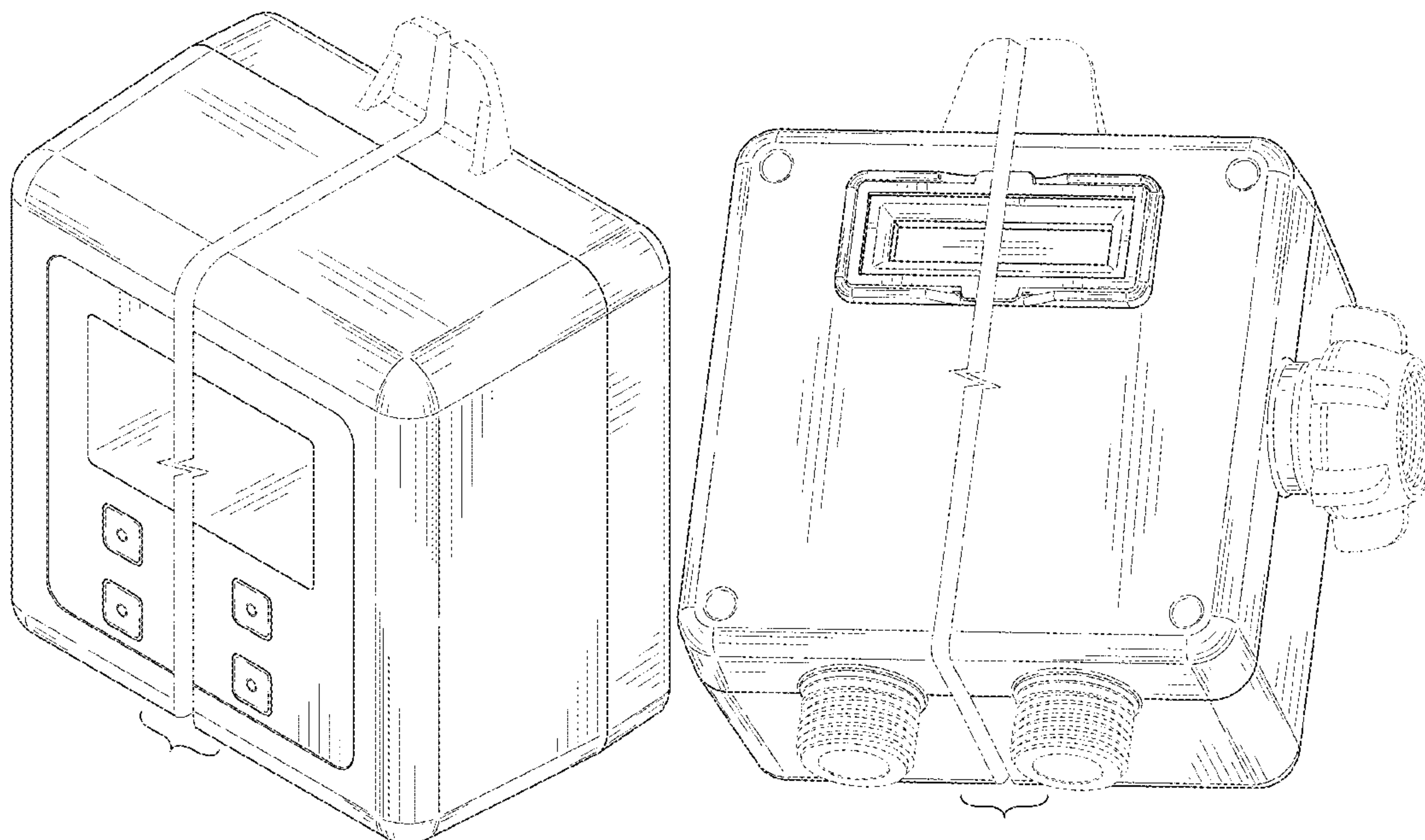
I claim the ornamental design for a housing, as shown and described.

DESCRIPTION

FIG. 1 is a first perspective view of a housing showing my new design;
FIG. 2 is a front elevation view thereof;
FIG. 3 is a back elevation thereof;
FIG. 4 is a left-side elevation view thereof;
FIG. 5 is a right-side elevation view thereof;
FIG. 6 is a top plan view thereof;
FIG. 7 is a bottom plan view thereof; and,
FIG. 8 is a second perspective view thereof, showing the housing.

The “dash-dot” broken lines represent a symbolic break and form no part of the claimed design. Anything within the bounds of the “dash-dot” broken lines also forms no part of the claimed design.

1 Claim, 7 Drawing Sheets



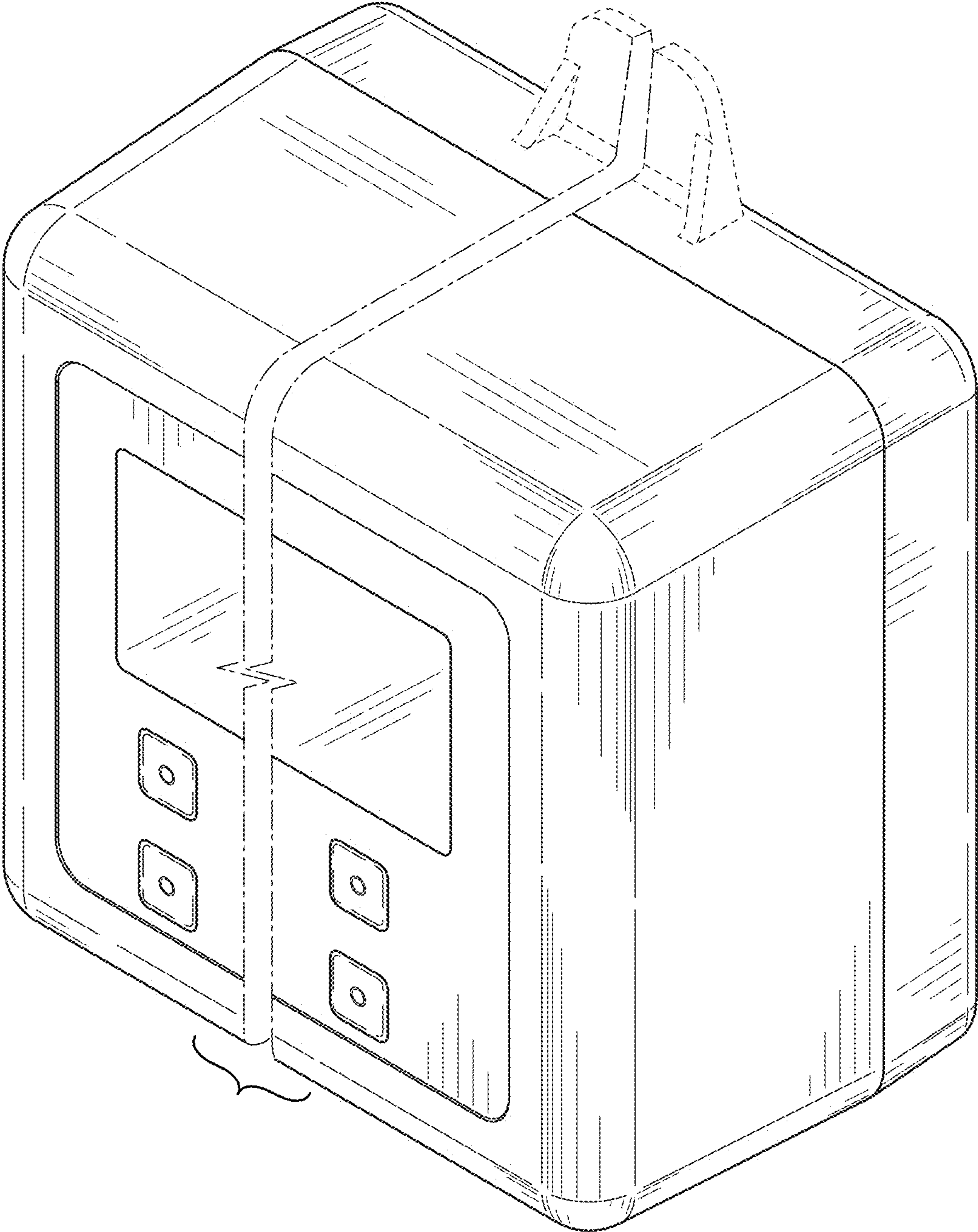


FIG. 1

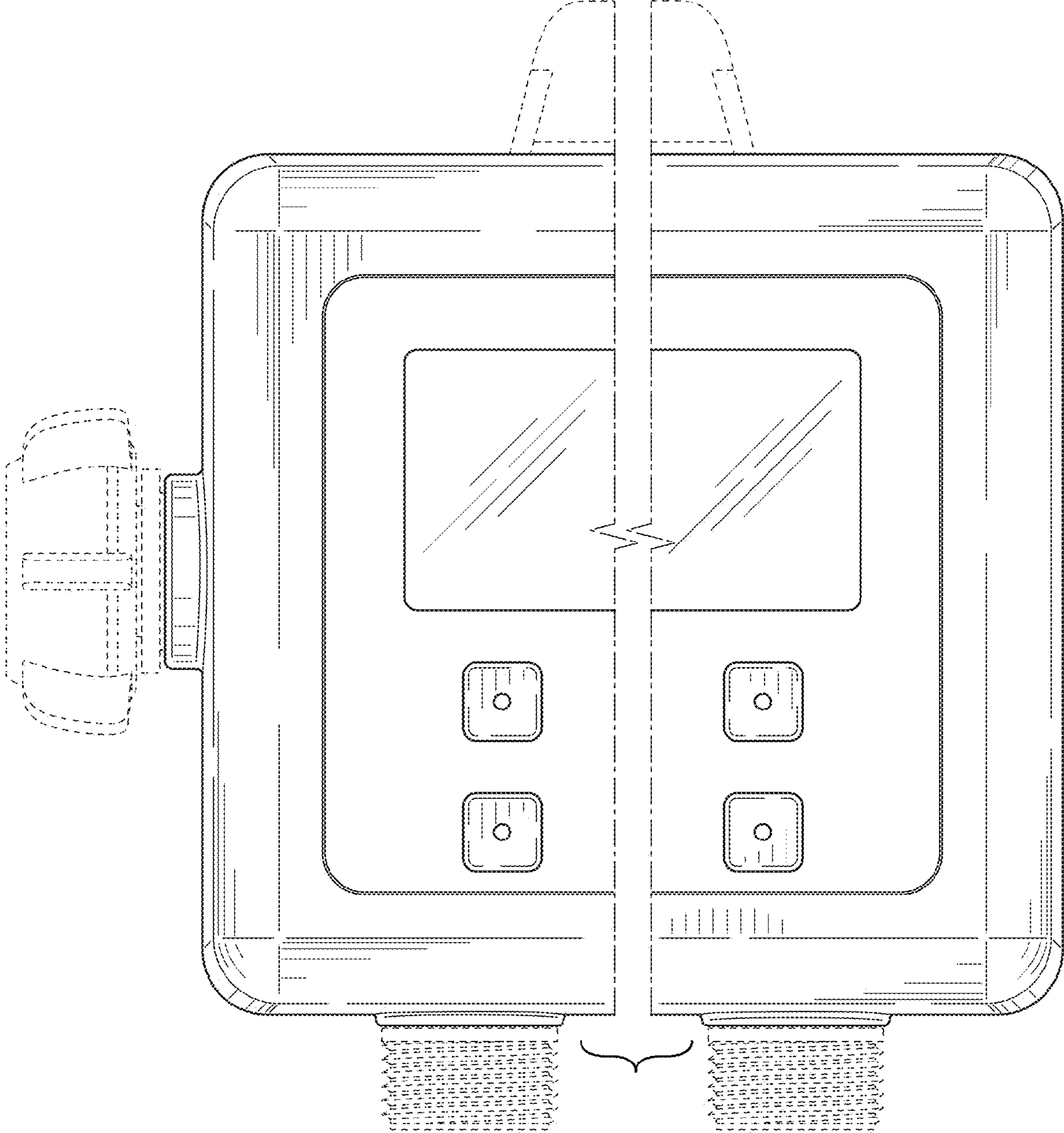


FIG. 2

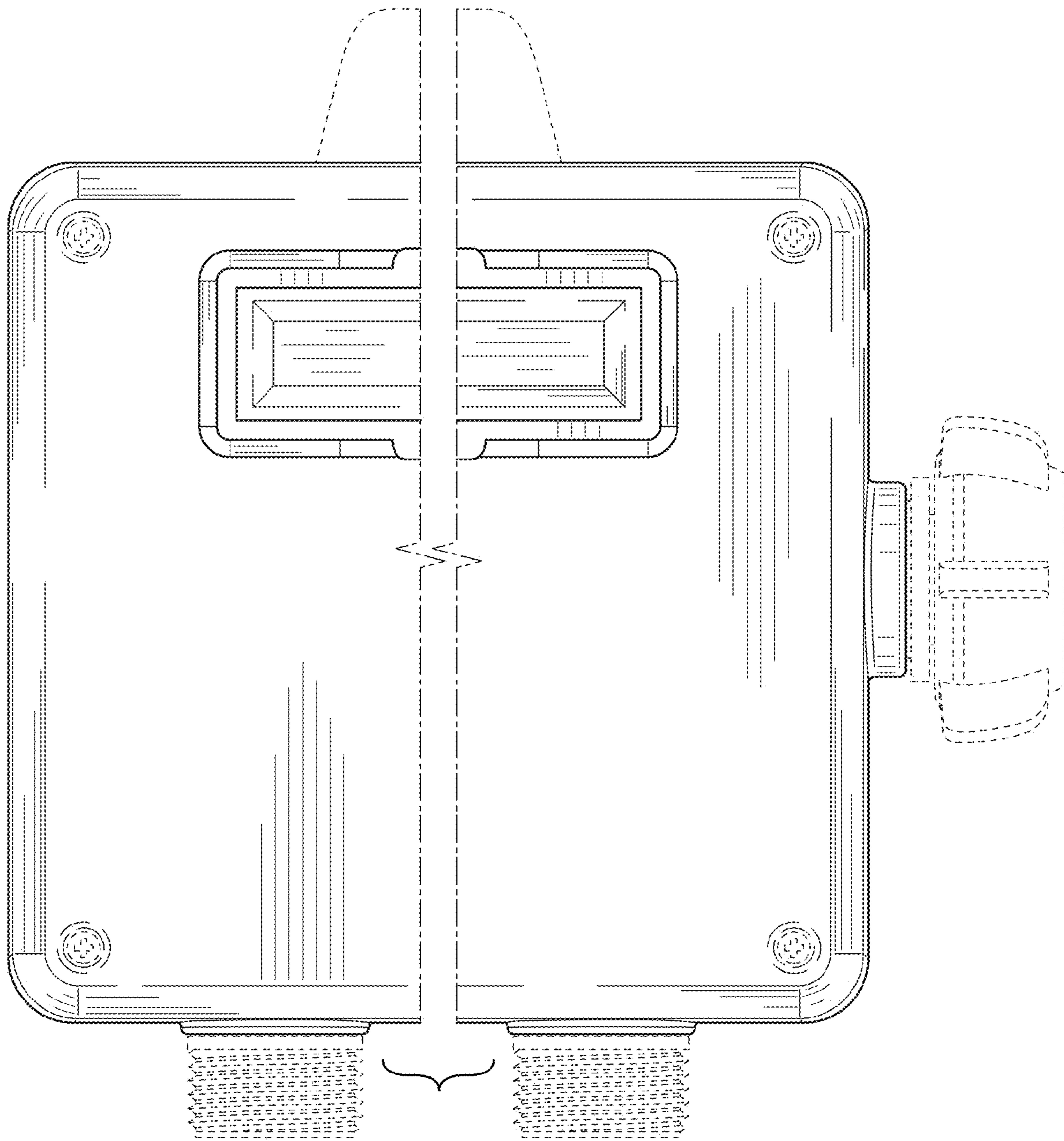


FIG. 3

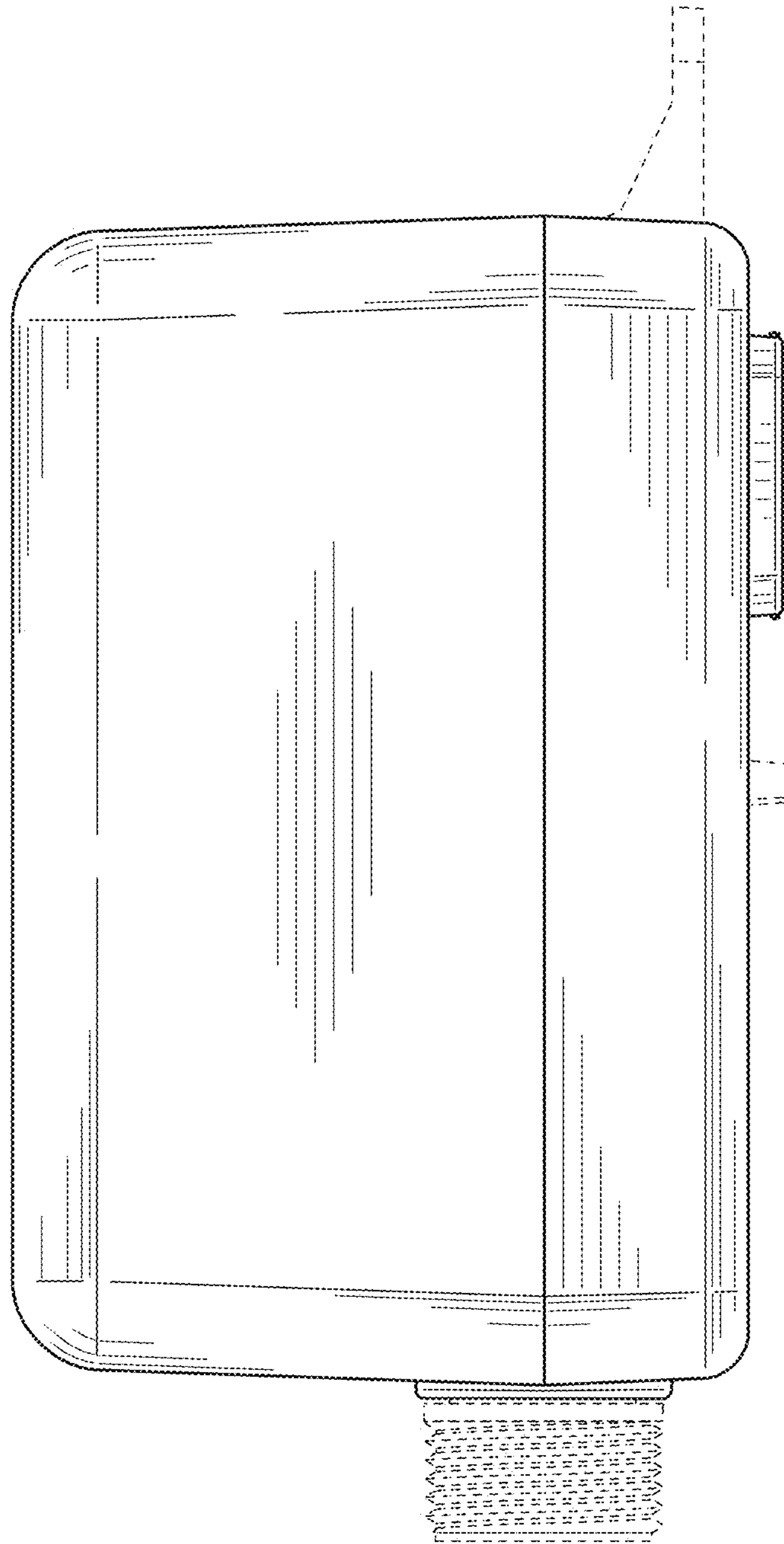


FIG. 4

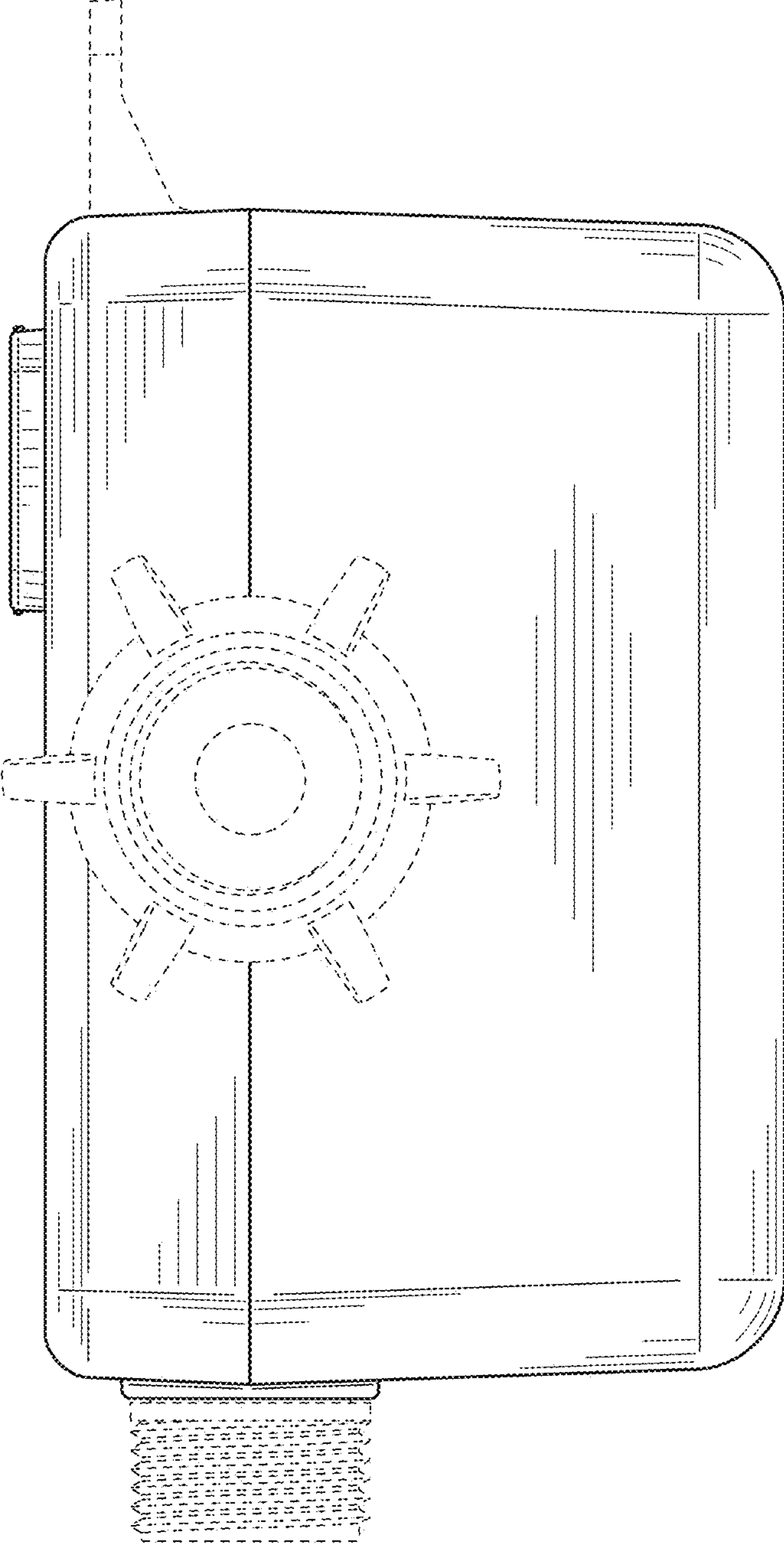


FIG. 5

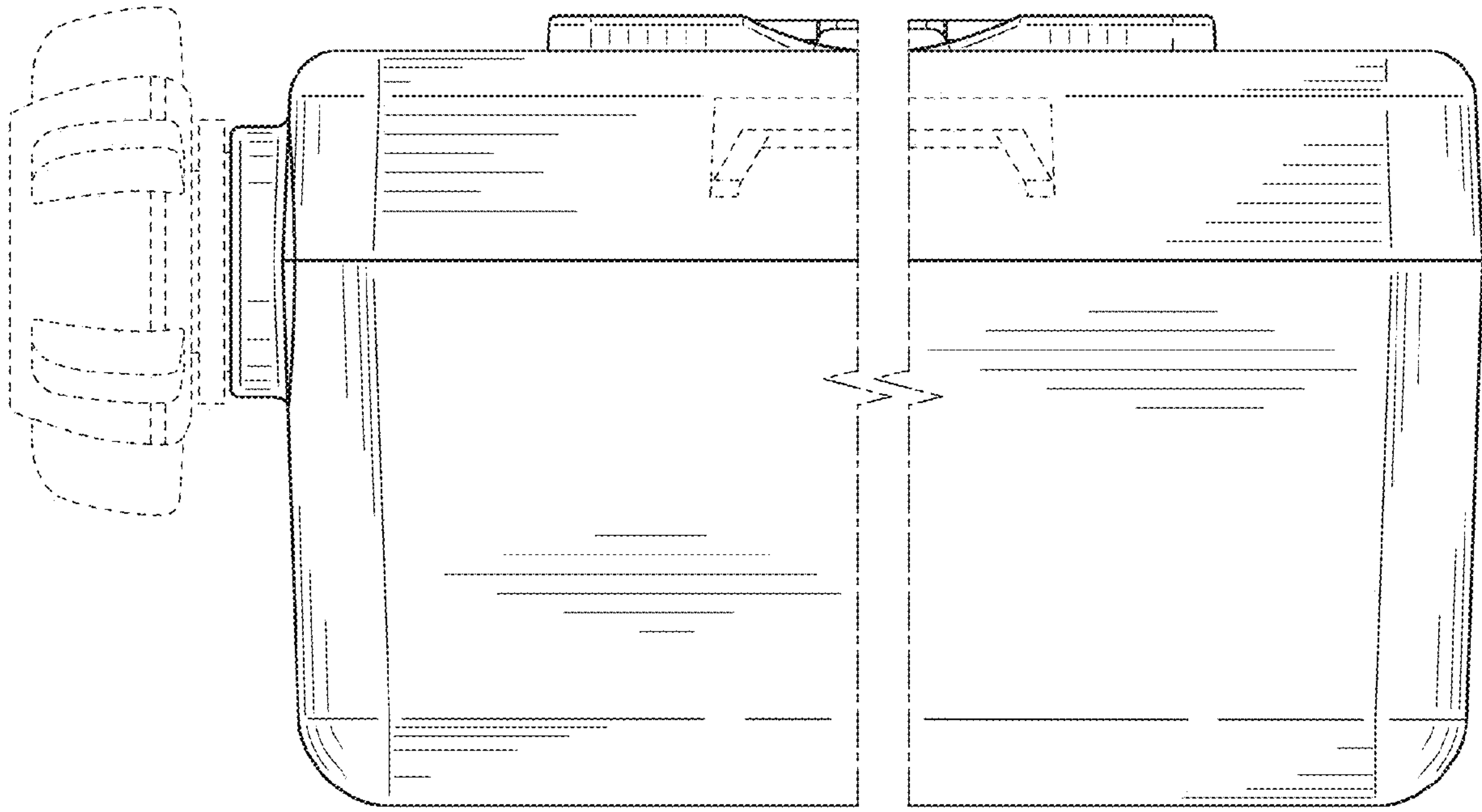


FIG. 6

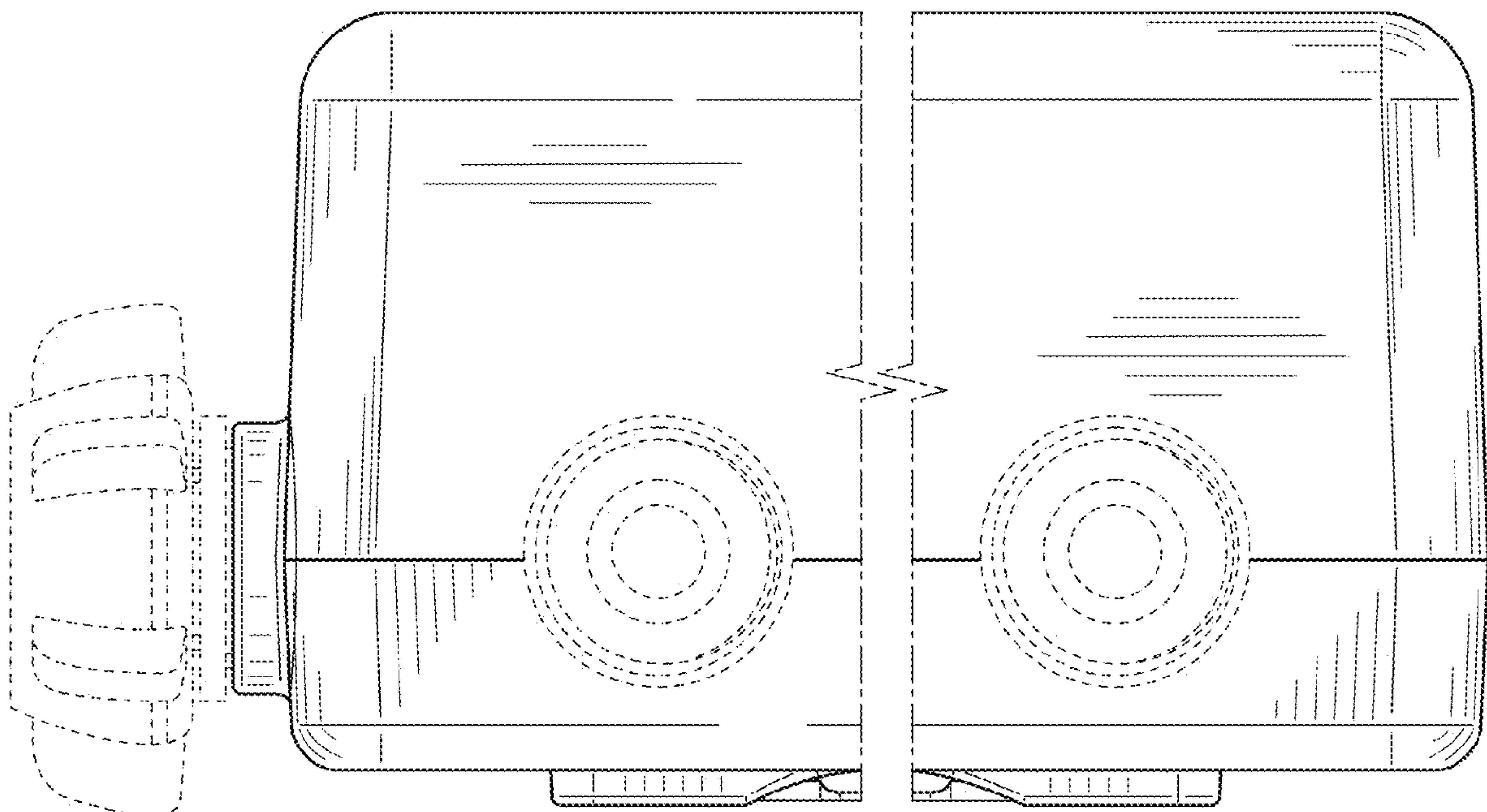


FIG. 7

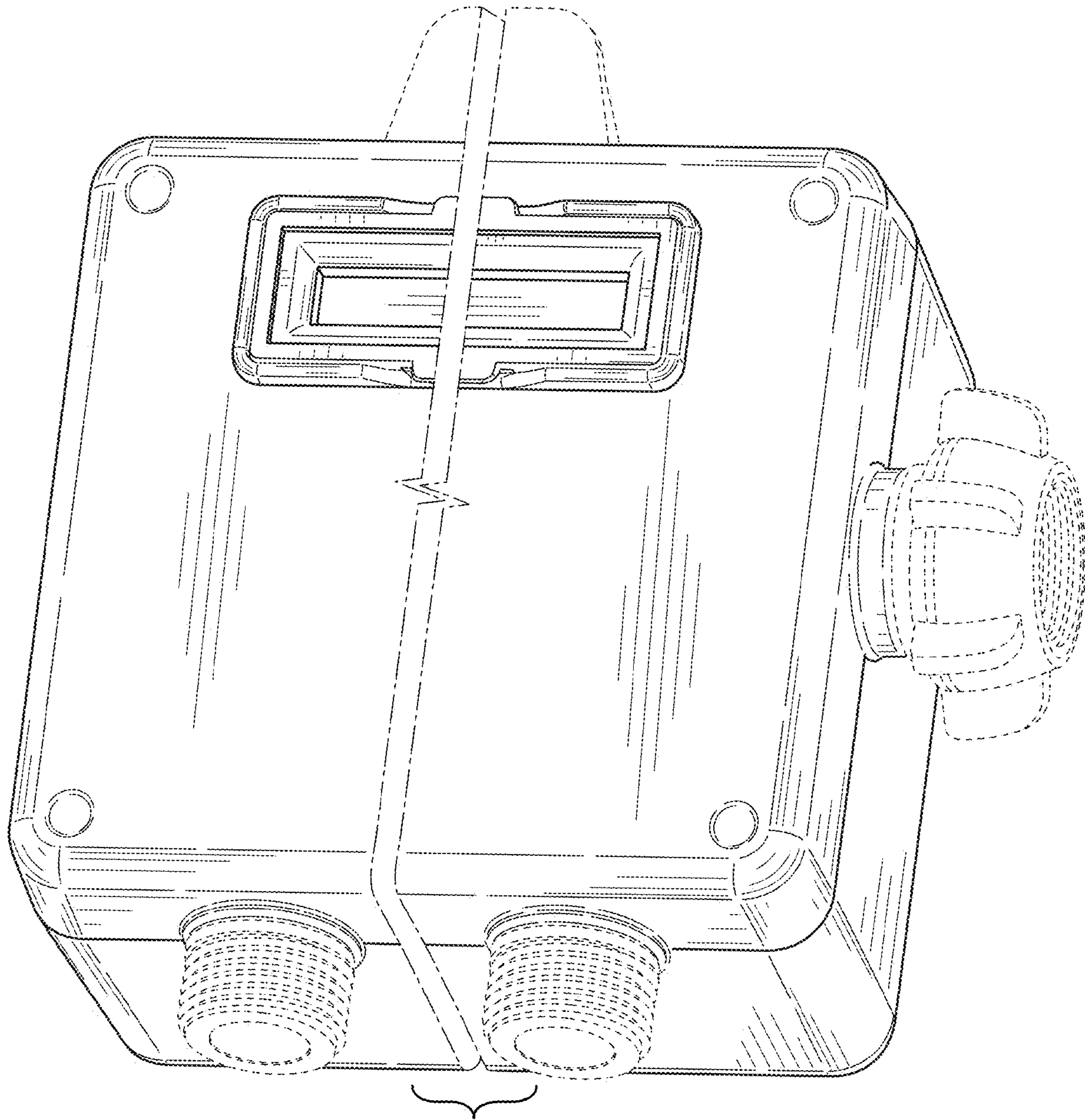


FIG. 8