



US00D925002S

(12) **United States Design Patent** (10) **Patent No.:** **US D925,002 S**
Lin et al. (45) **Date of Patent:** **** Jul. 13, 2021**

(54) **SPRAY GUN**

D465,550 S * 11/2002 Wang D23/226
D475,762 S 6/2003 Kuo
D475,763 S * 6/2003 Kuo D23/226

(71) Applicant: **YONGKANG CHUNKAI IMPORT & EXPORT CO., LTD**, Jinhua (CN)

(Continued)

(72) Inventors: **Zhirong Lin**, Jinhua (CN); **Yihui Lin**, Jinhua (CN); **Chengpeng Yeh**, Jinhua (CN)

FOREIGN PATENT DOCUMENTS

CN 201130139282 * 9/2011
CN 201530494609.4 * 6/2016

(73) Assignee: **YONGKANG CHUNKAI IMPORT & EXPORT CO., LTD**, Jinhua (CN)

OTHER PUBLICATIONS

Sunrich nozzle 2019 found on Mar. 19, 2021 at <https://www.amazon.com/Sunrich-Adjustable-Patterns-Cleaning-Watering/dp/B07S8WDL9B/> (Year: 2019).*

(**) Term: **15 Years**

(Continued)

(21) Appl. No.: **29/747,300**

Primary Examiner — Karen S Acker
Assistant Examiner — Jonathan Emil Fiencke

(22) Filed: **Aug. 21, 2020**

(30) **Foreign Application Priority Data**

(57) **CLAIM**

Jul. 30, 2020 (CN) 202030426244.2

The ornamental design for a spray gun, as shown and described.

(51) **LOC (13) Cl.** **23-01**

DESCRIPTION

(52) **U.S. Cl.**
USPC **D23/226**

(58) **Field of Classification Search**
USPC D23/226, 213, 229, 255
CPC B05B 7/0815; B05B 7/1209; B05B 9/01
See application file for complete search history.

FIG. 1 is a perspective view of a spray gun showing our new design;
FIG. 2 is another perspective view thereof;
FIG. 3 is a front view thereof;
FIG. 4 is a rear view thereof;
FIG. 5 is a left side view thereof;
FIG. 6 is a right side view thereof;
FIG. 7 is a top view thereof;
FIG. 8 is a bottom view thereof; and,
FIG. 9 is an enlarged view of the encircled portion 9 in FIG. 3.

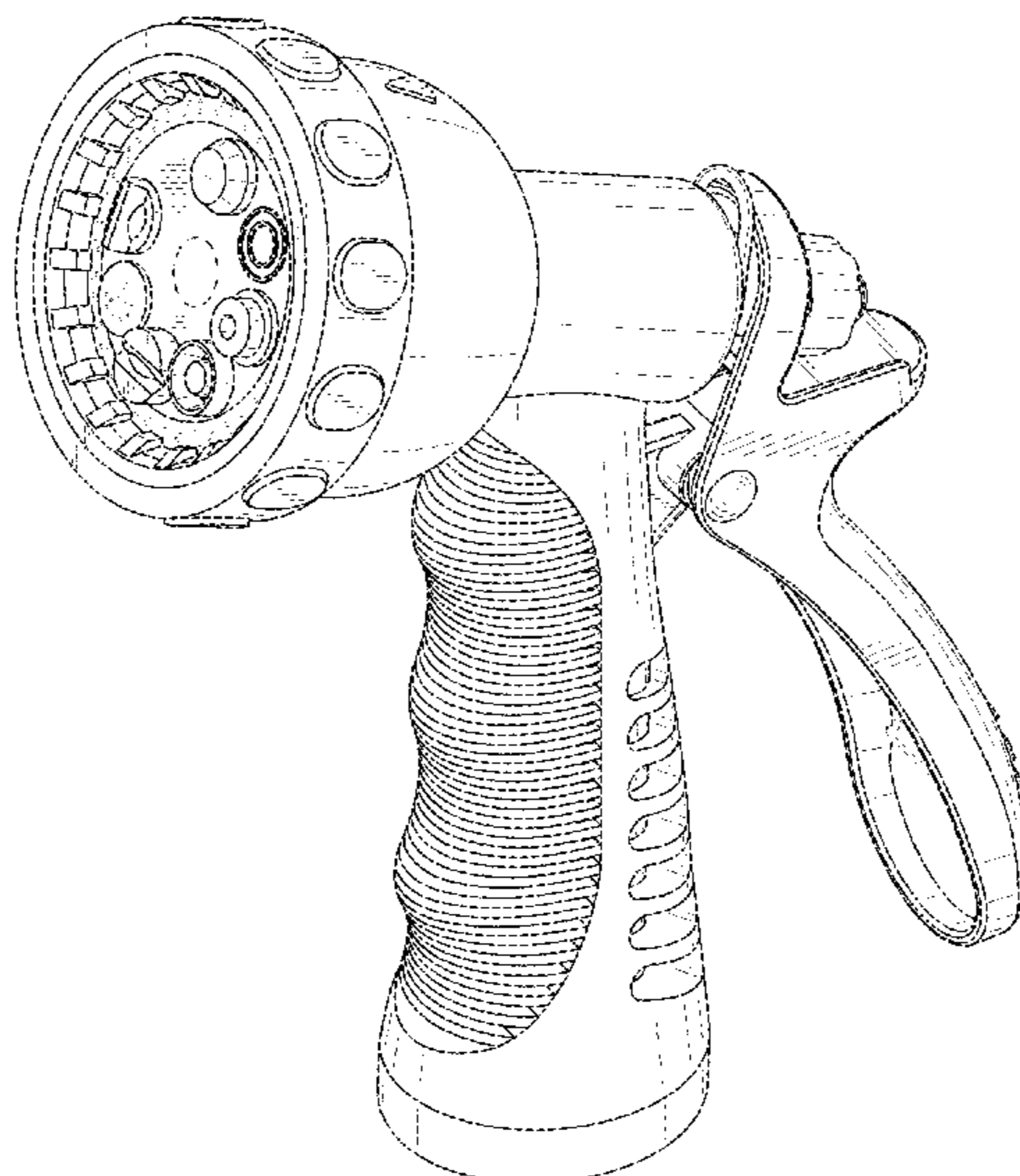
(56) **References Cited**

U.S. PATENT DOCUMENTS

D369,853 S * 5/1996 Wang D23/223
D394,305 S * 5/1998 Kuo D23/226
D415,557 S * 10/1999 Kuo D23/226
D415,823 S * 10/1999 Kuo D23/226
D431,280 S * 9/2000 Kuo D23/226
D452,297 S * 12/2001 Chao D23/226
D453,371 S * 2/2002 Wang D23/226
D453,814 S * 2/2002 Wang D23/226
D454,619 S 3/2002 Wang
D464,707 S * 10/2002 Wang D23/226

The broken lines, areas within the broken lines and unshaded portions of the article throughout the drawings depict features of the spray gun that form no part of the claimed design. The dot dash dot broken lines surrounding the detail areas in FIGS. 3 and 9 denote the boundaries of the detail areas and form no part of the claim design.

1 Claim, 9 Drawing Sheets



(56)

References Cited

U.S. PATENT DOCUMENTS

D501,537 S * 2/2005 Zeng D23/226
D501,538 S * 2/2005 Zeng D23/226

OTHER PUBLICATIONS

Twinkle nozzle found on Mar. 19, 2021 at Mar. 19, 2021 at
[https://www.amazon.com/Twinkle-Star-Standard-Adjustable-Patterns/
dp/B087C4PKXD/](https://www.amazon.com/Twinkle-Star-Standard-Adjustable-Patterns/dp/B087C4PKXD/) (Year: 2020).*

* cited by examiner

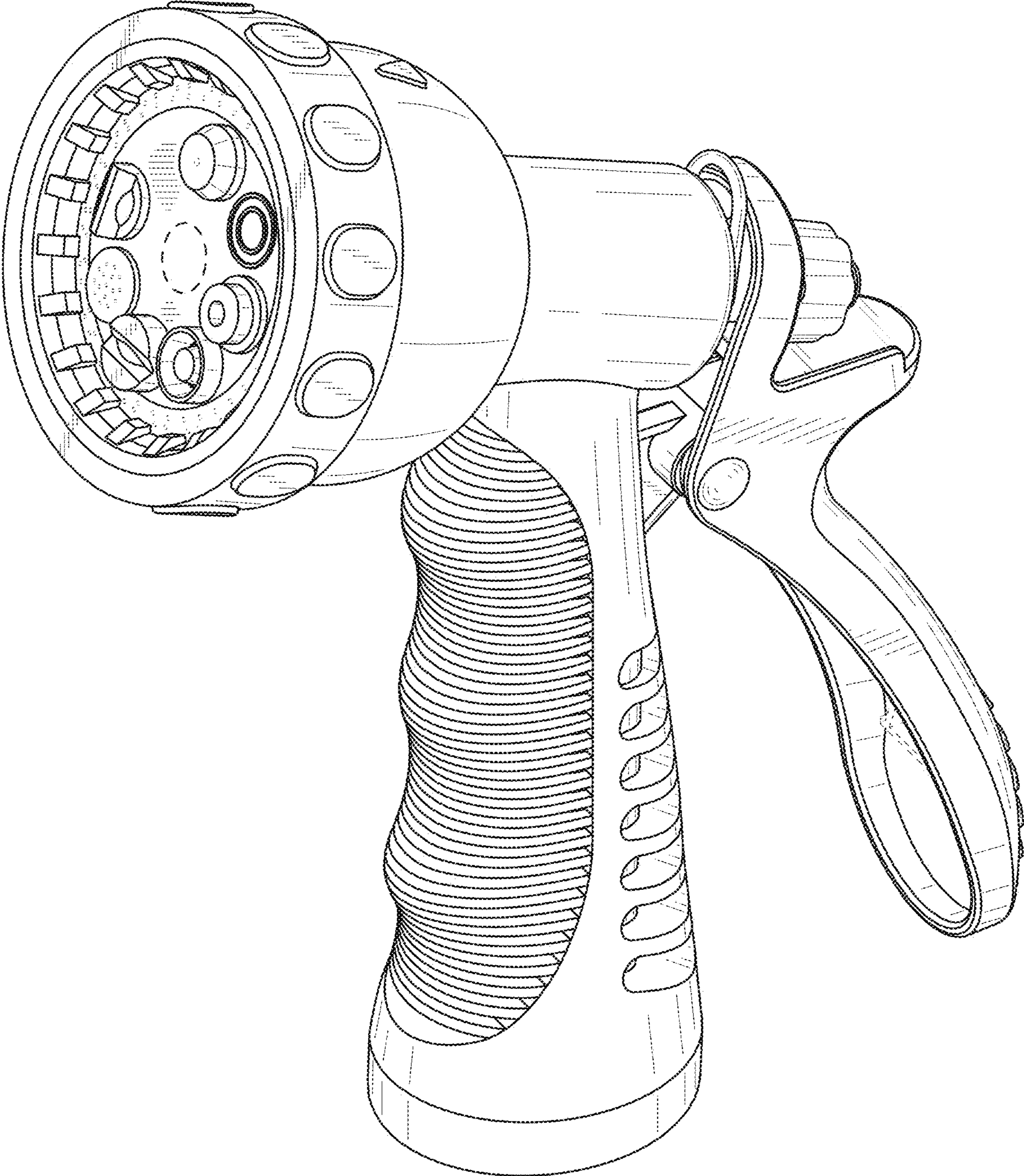


FIG. 1

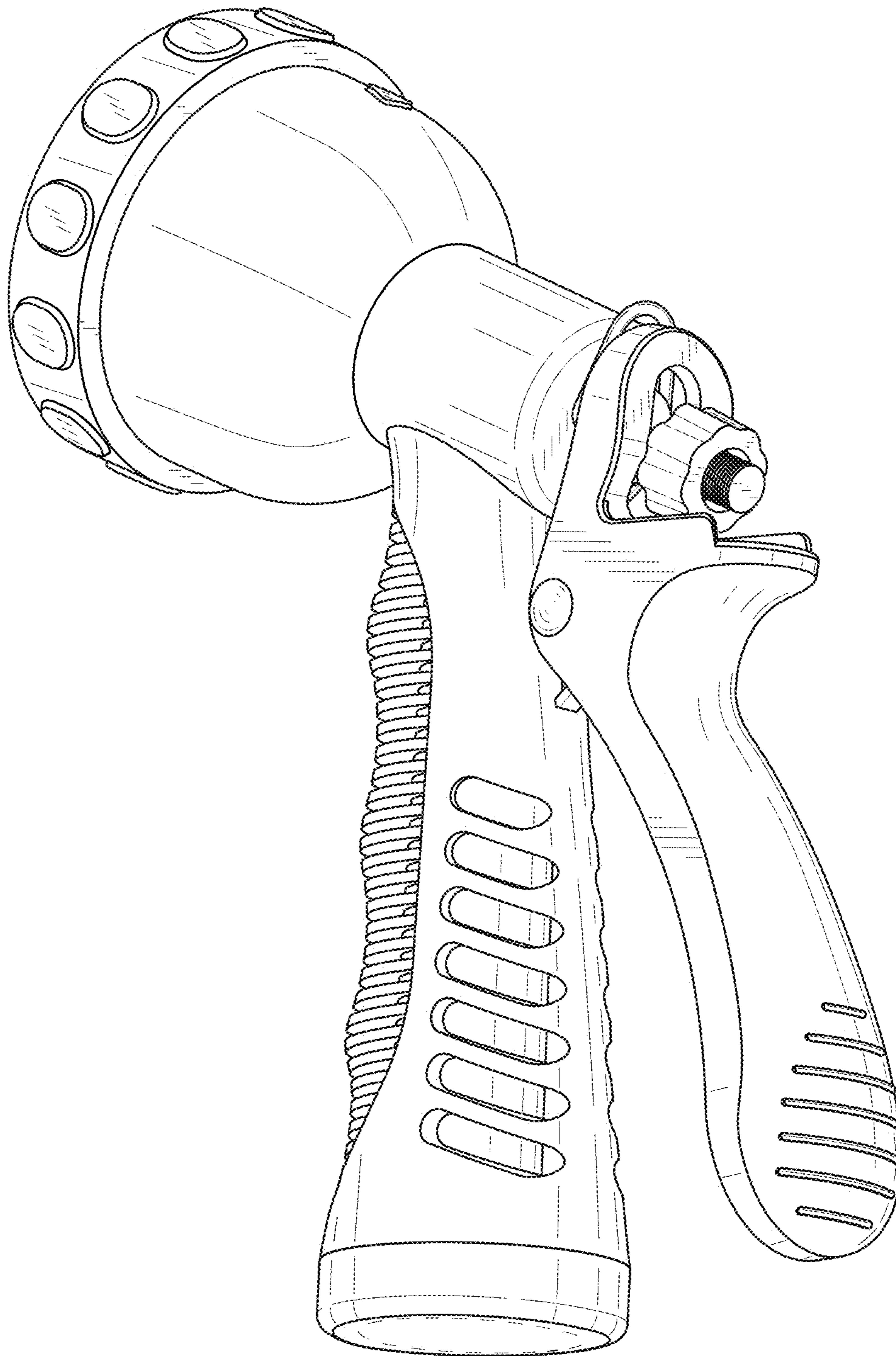


FIG. 2

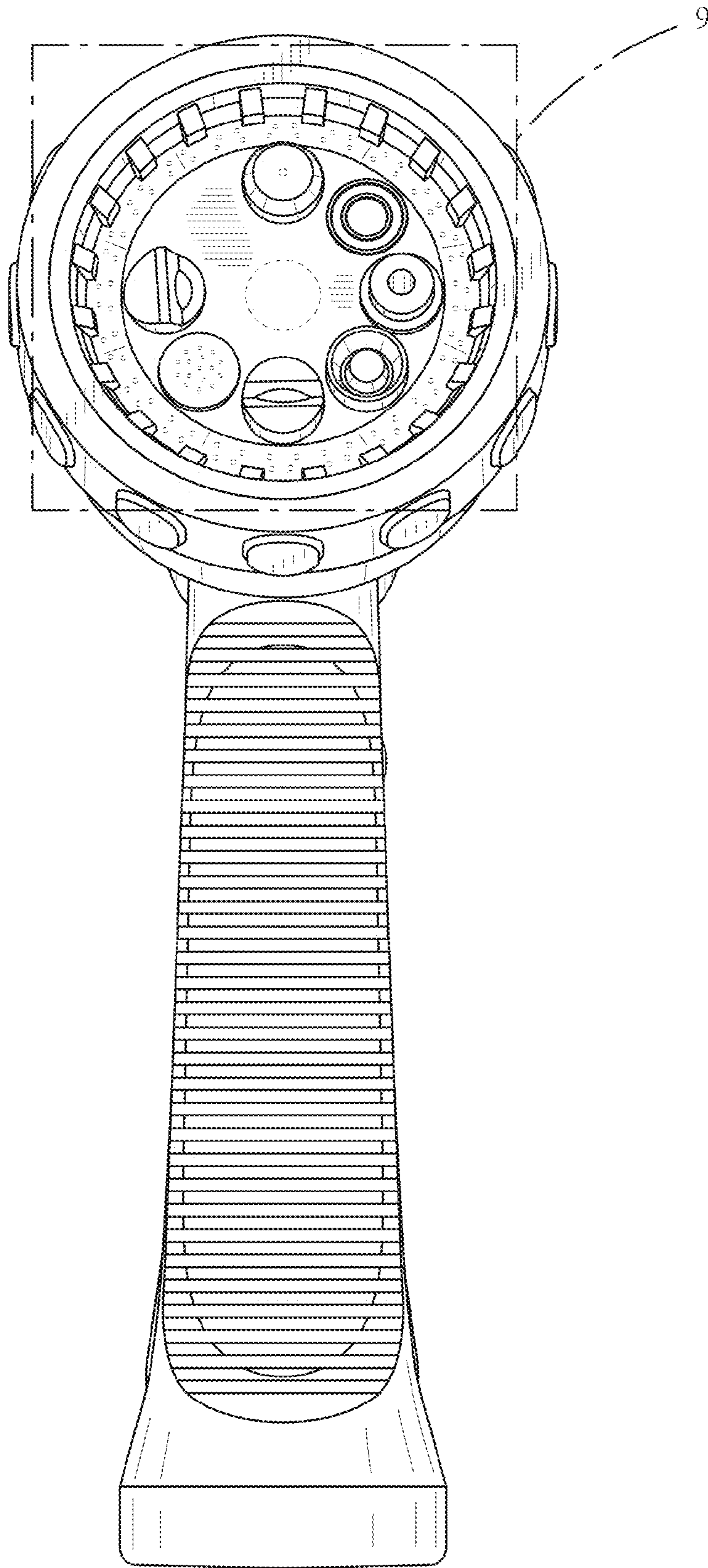


FIG. 3

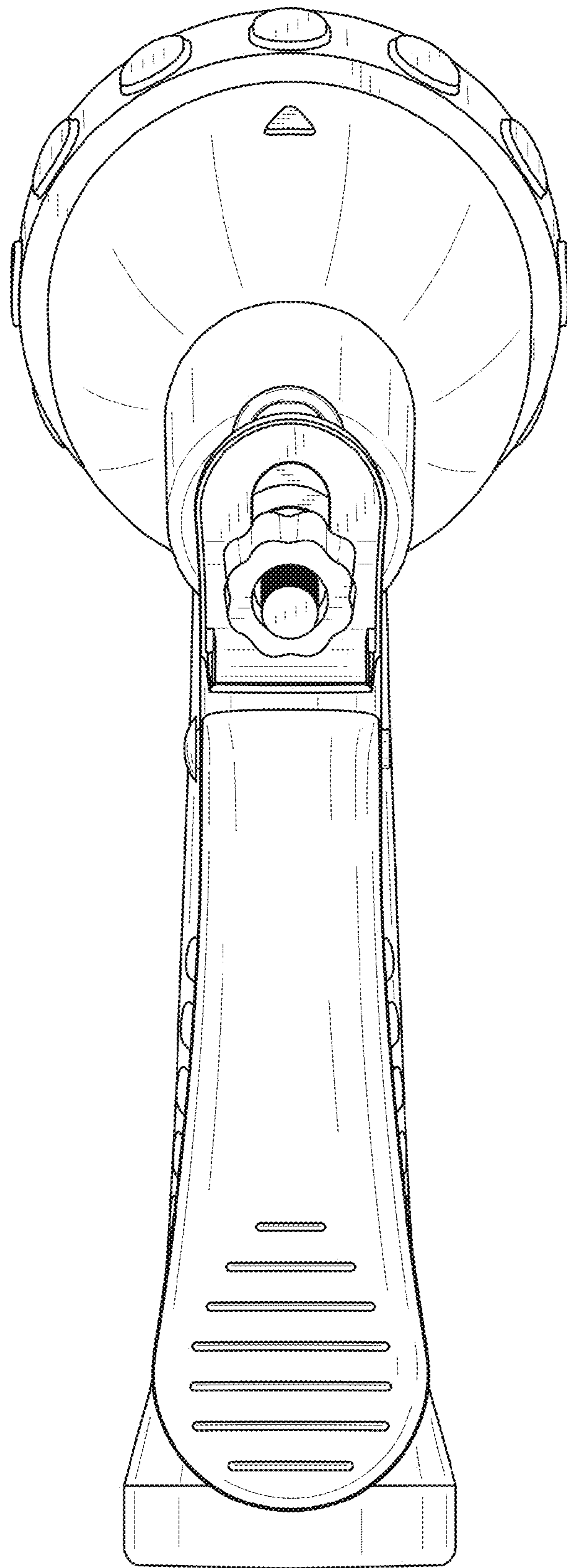


FIG. 4

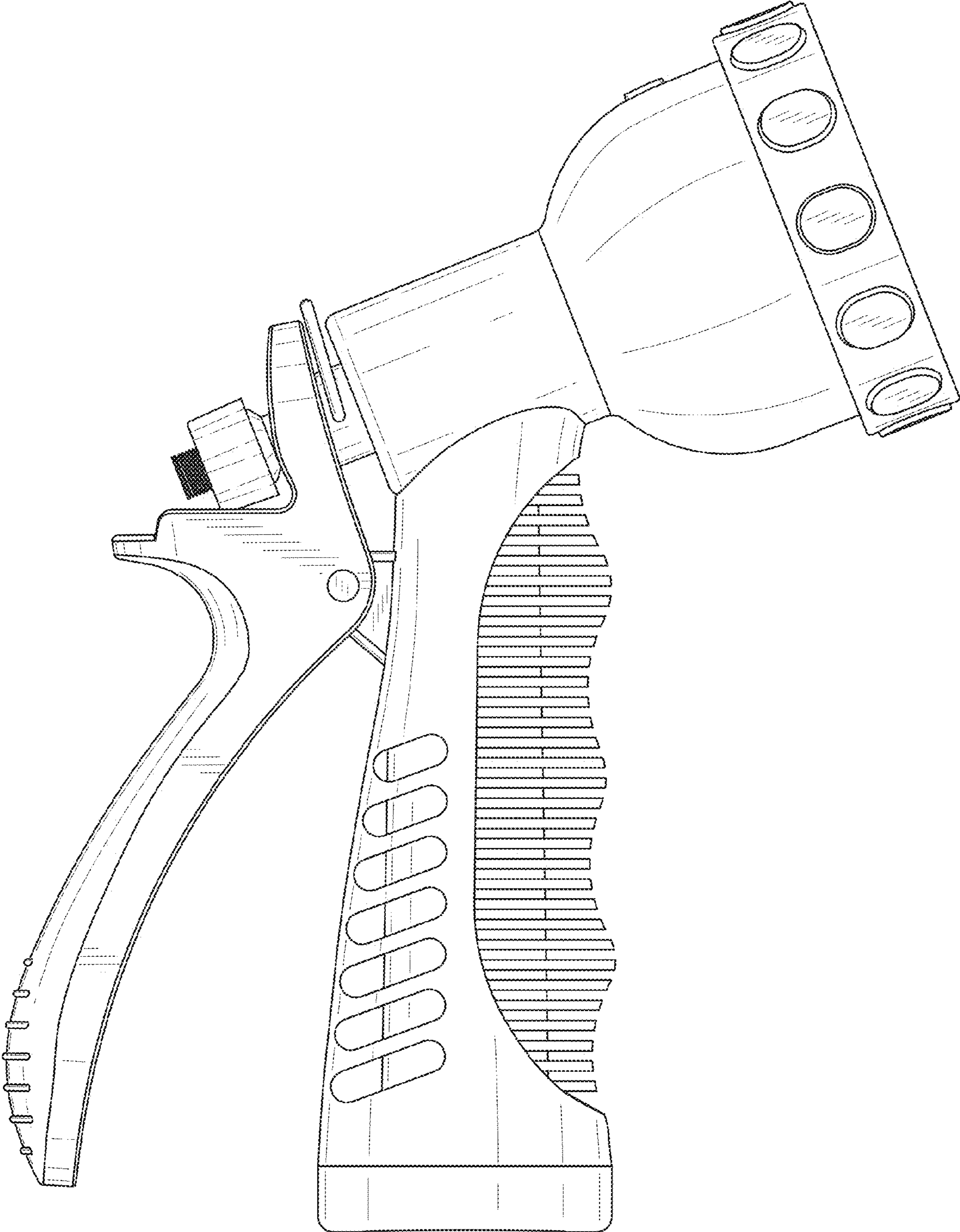


FIG. 5

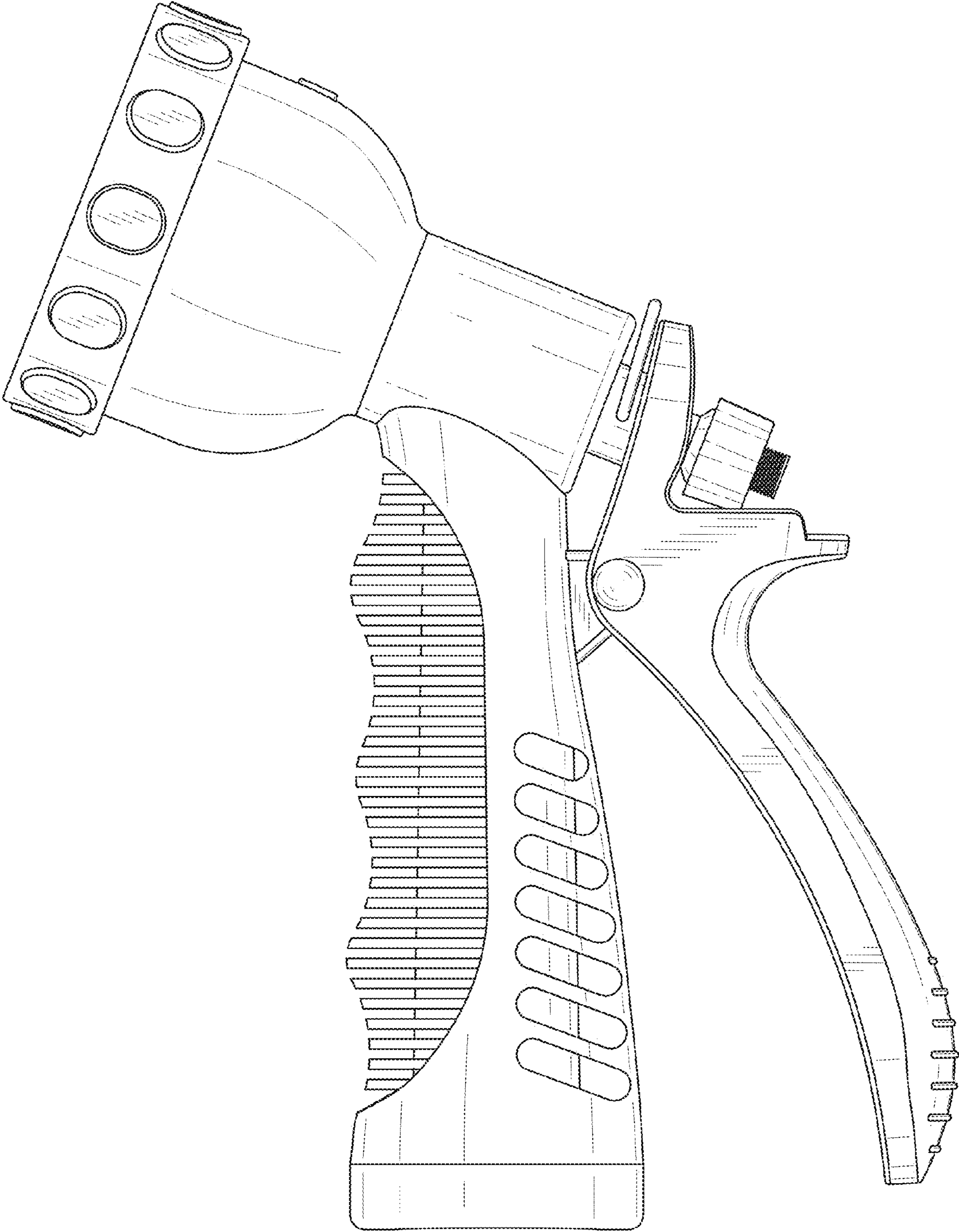


FIG. 6

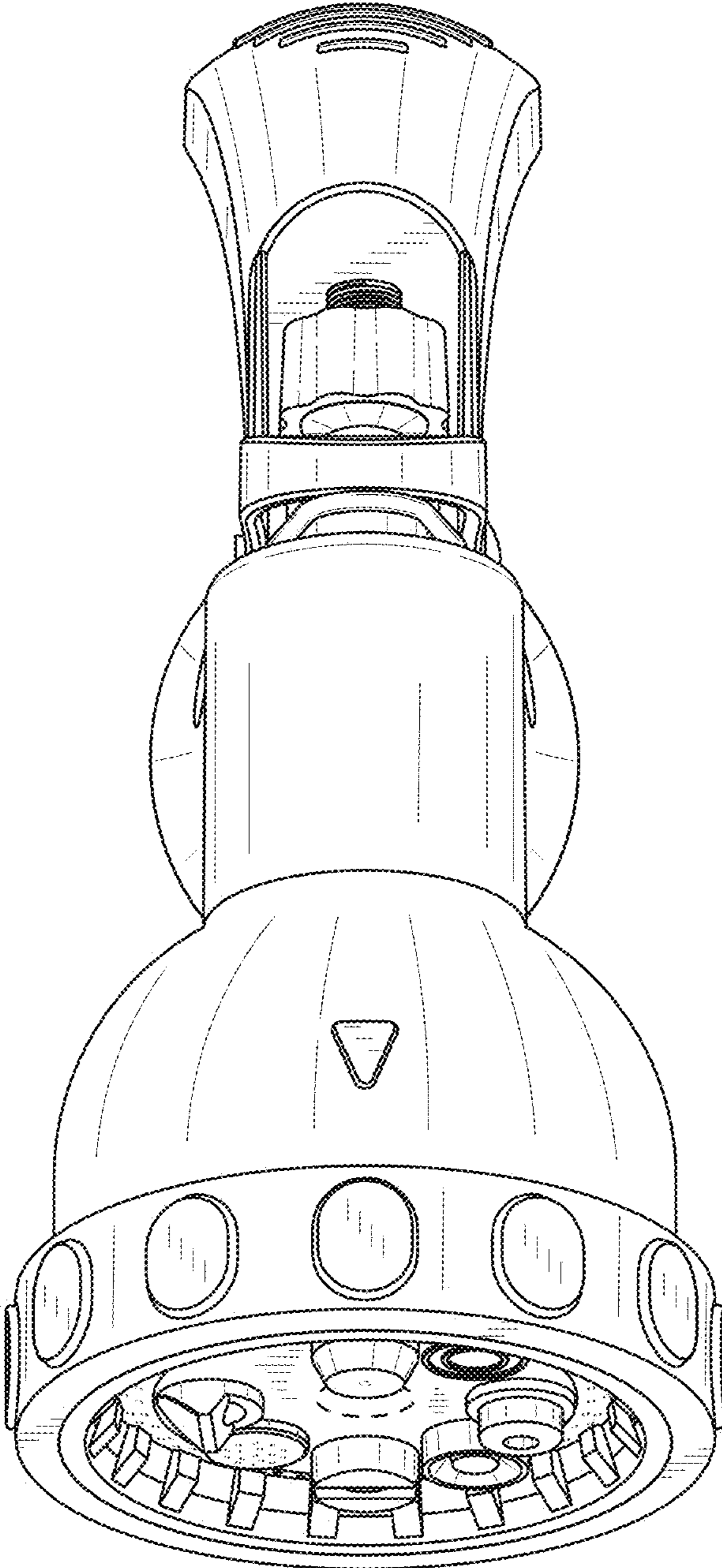


FIG. 7

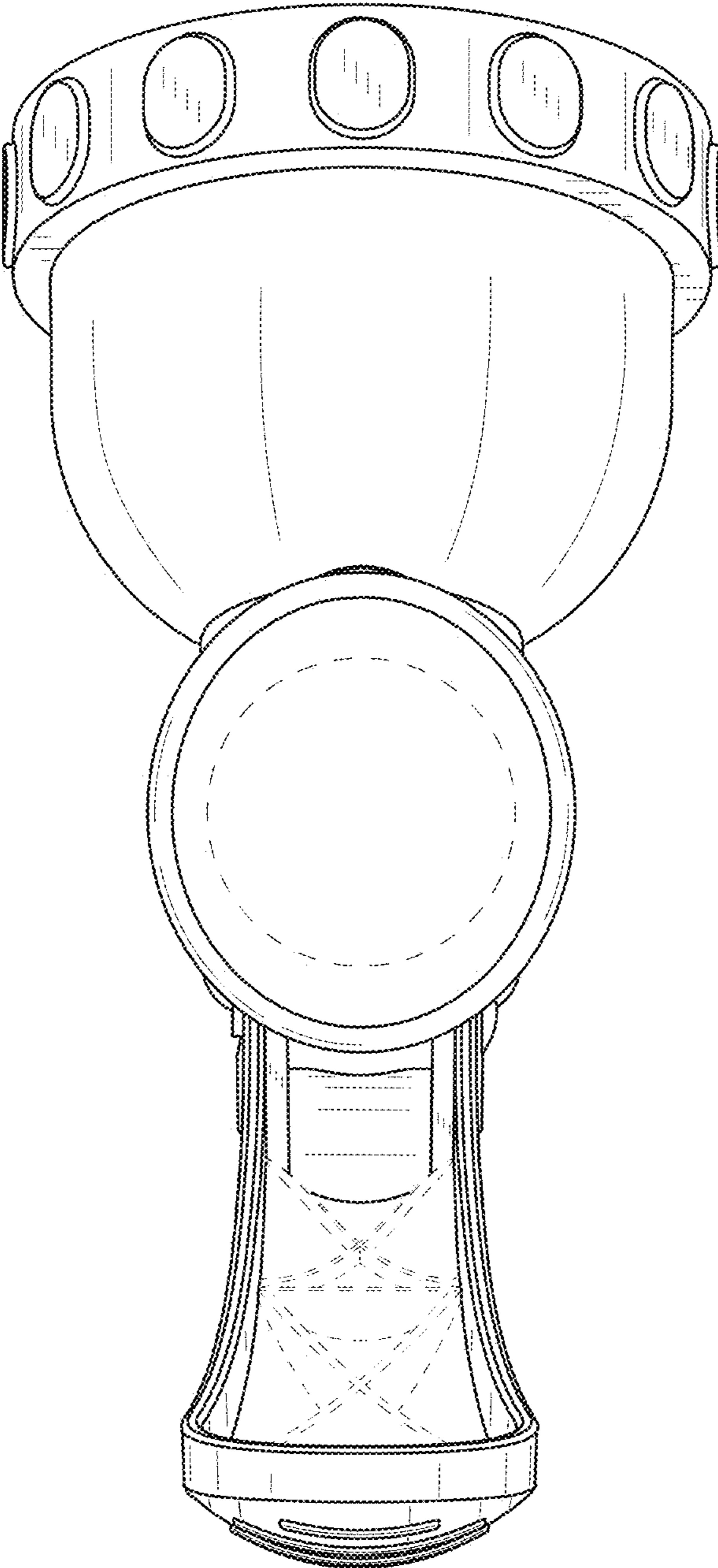


FIG. 8

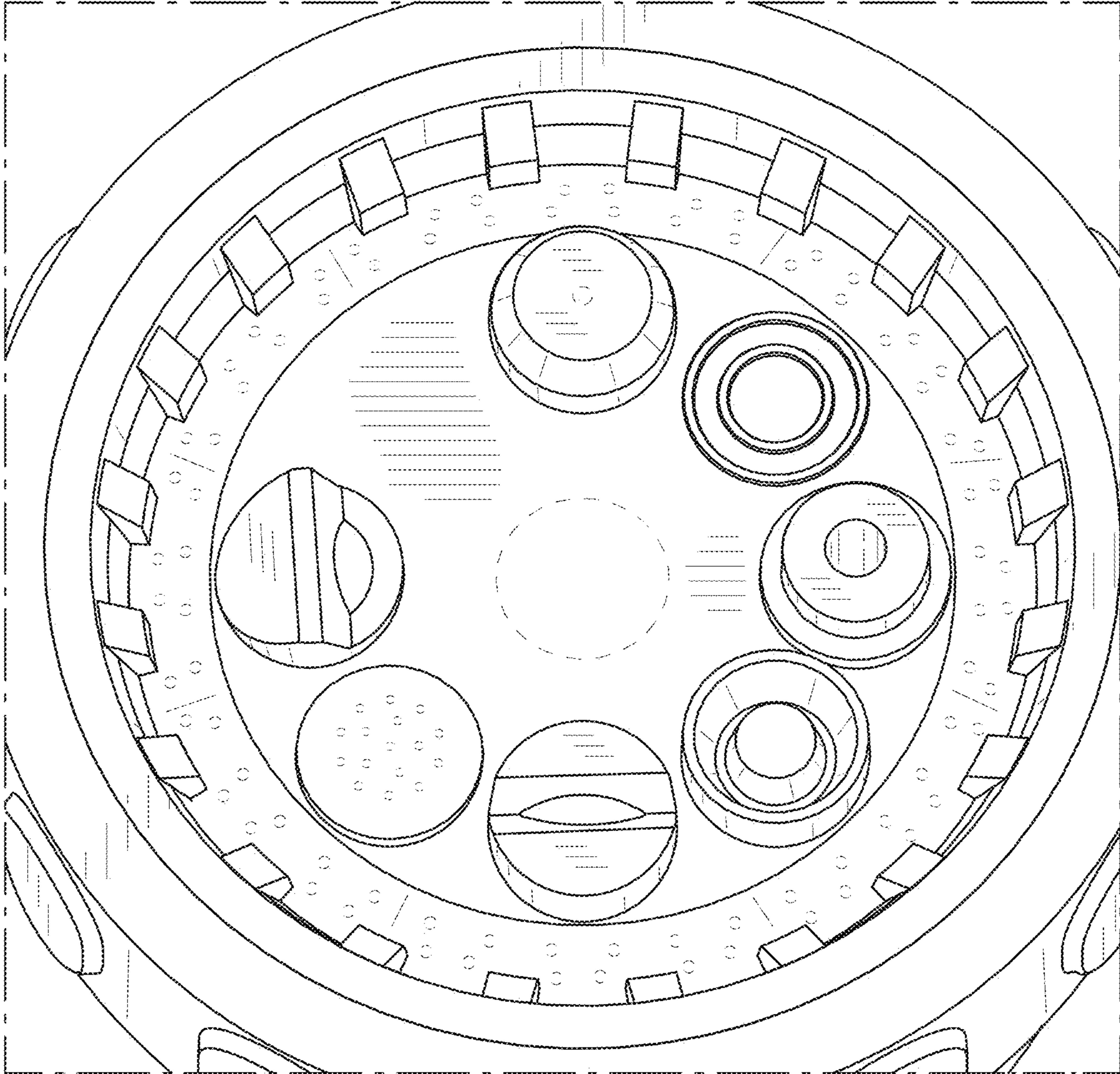


FIG. 9