



US00D925001S

(12) **United States Design Patent**
Guy et al.

(10) **Patent No.:** **US D925,001 S**

(45) **Date of Patent:** **** Jul. 13, 2021**

(54) **DISPENSING CARTRIDGE HOLDER**
(71) Applicant: **King Technology Inc.**, Hopkins, MN (US)
(72) Inventors: **David Guy**, Maple Grove, MN (US); **Jeffrey D Johnson**, Edina, MN (US); **Paul Freeberg**, St. Paul, MN (US); **Terry Goeman**, Minnetonka, MN (US); **Lyle Enderson**, Maple Grove, MN (US); **Darrin M Swagel**, Minnetonka, MN (US); **Eric Barton**, Eden Prairie, MN (US)

D373,520 S * 9/1996 King, Jr. B01D 27/08 D8/354
D516,891 S * 3/2006 Thomas A45F 5/00 D8/70
D609,990 S * 2/2010 Blair D8/71
7,669,742 B2 * 3/2010 Rush A45F 5/00 224/148.7
D766,617 S * 9/2016 Hochman D6/553
D774,754 S * 12/2016 Moreau D3/228
10,039,423 B2 * 8/2018 Schultz A47K 5/1204
D855,408 S * 8/2019 Tsai D7/600.1
D889,881 S * 7/2020 Sheffer D6/553
D897,792 S * 10/2020 Yuen D7/701
2019/0381432 A1 * 12/2019 Kinjo B01D 35/306
2020/0282347 A1 * 9/2020 Guy B01D 27/08

(73) Assignee: **KING TECHNOLOGY INC.**, Hopkins, MN (US)

* cited by examiner

(**) Term: **15 Years**

Primary Examiner — Sheryl Lane

Assistant Examiner — Calvin E Vansant

(21) Appl. No.: **29/651,794**

(74) *Attorney, Agent, or Firm* — Johnson & Phung

(22) Filed: **Mar. 15, 2019**

(51) **LOC (13) Cl.** **23-01**

(52) **U.S. Cl.**
USPC **D23/208**

(57) **CLAIM**

The ornamental design for a dispensing cartridge holder, as shown and described.

(58) **Field of Classification Search**
USPC D23/200, 202, 207–210; D6/512, 542, D6/52, 53; D7/306–308, 600.1; D8/1, D8/391, 448, 7; D9/439, 454
CPC B01D 5/006; B01D 35/30; B01D 35/306; B09C 2101/00
See application file for complete search history.

DESCRIPTION

FIG. 1 is a front perspective view of a dispensing cartridge holder showing our new design for use in a spa or a hot tub filter well;
FIG. 2 is front side elevation thereof;
FIG. 3 is a left side elevation thereof;
FIG. 4 is a backside elevation view thereof
FIG. 5 is a right side elevation thereof;
FIG. 6 is top plan view thereof; and,
FIG. 7 is a bottom plan view thereof.

(56) **References Cited**

U.S. PATENT DOCUMENTS

D328,216 S * 7/1992 Steed A47K 5/1204 D6/525
D367,999 S * 3/1996 McCallum B01D 35/306 D6/553

1 Claim, 2 Drawing Sheets

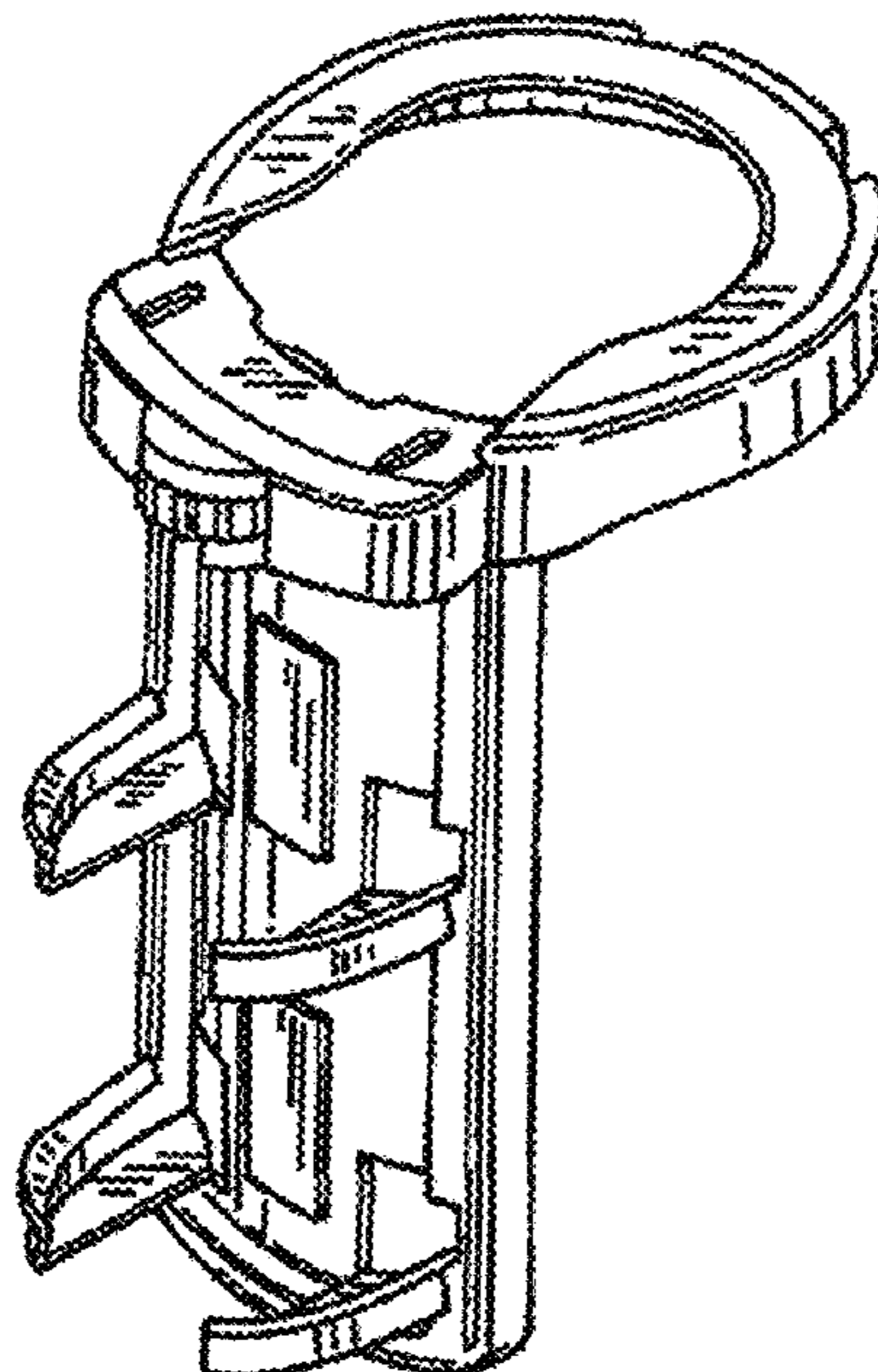


FIG. 1

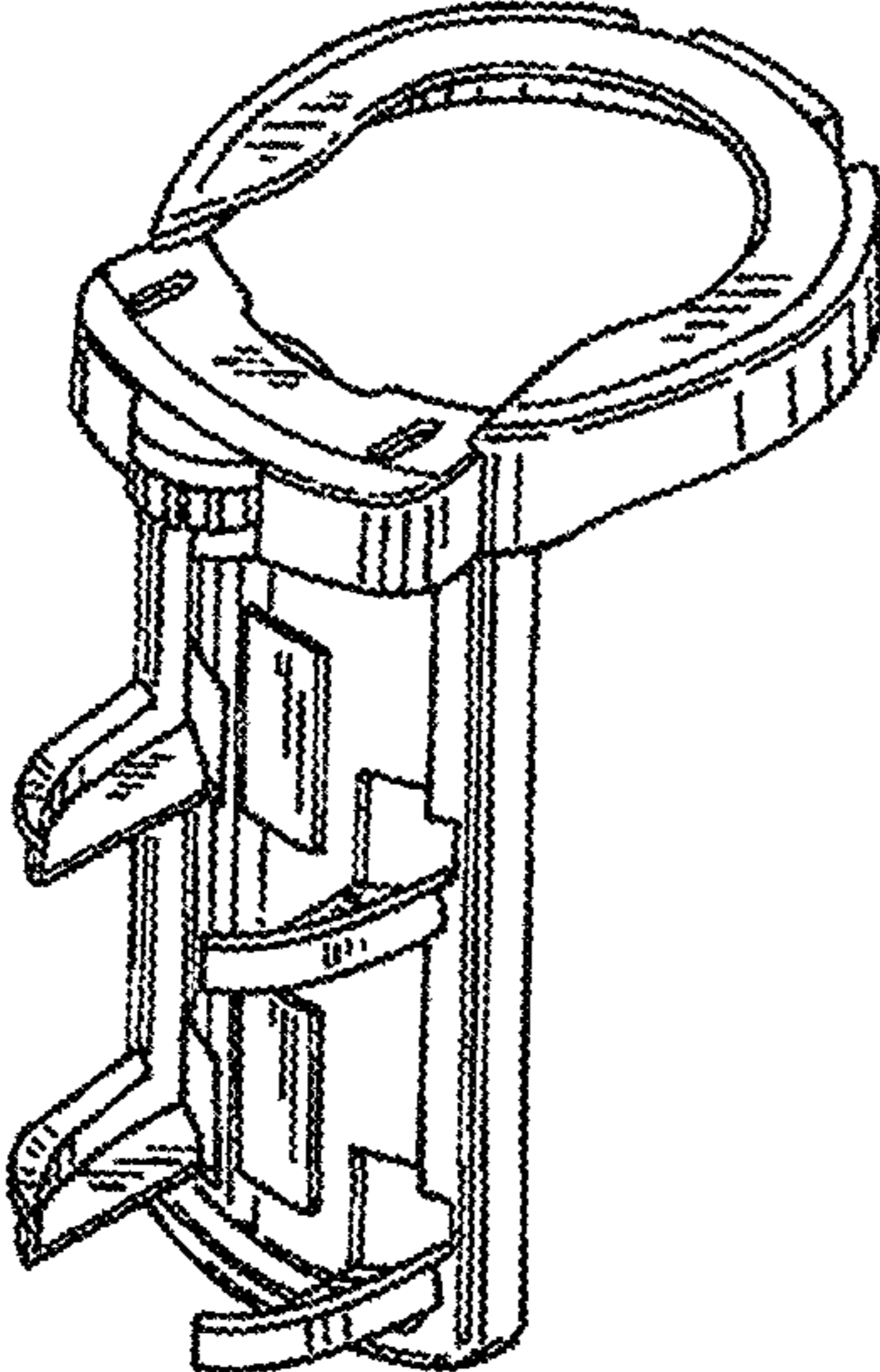


FIG. 2

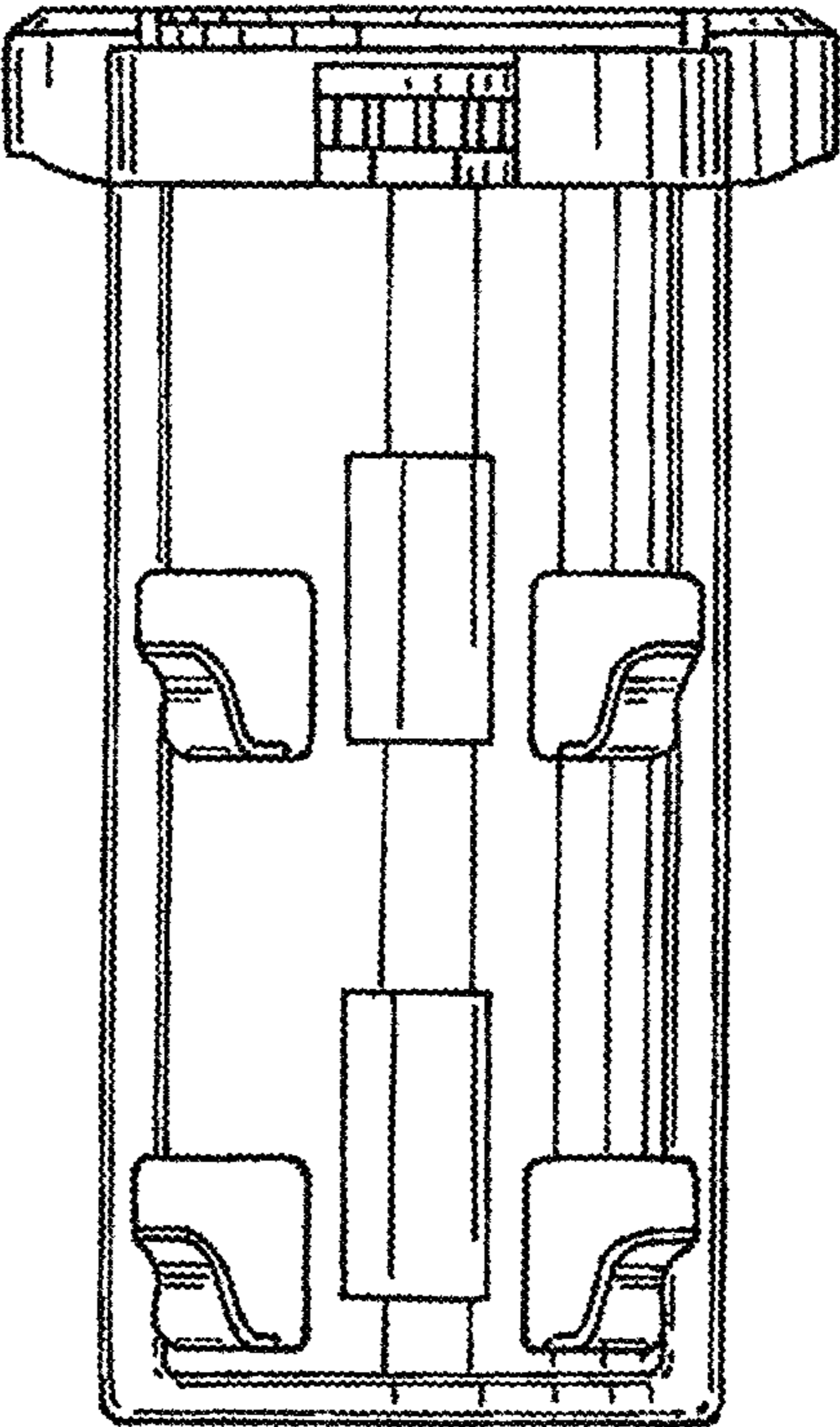


FIG. 3

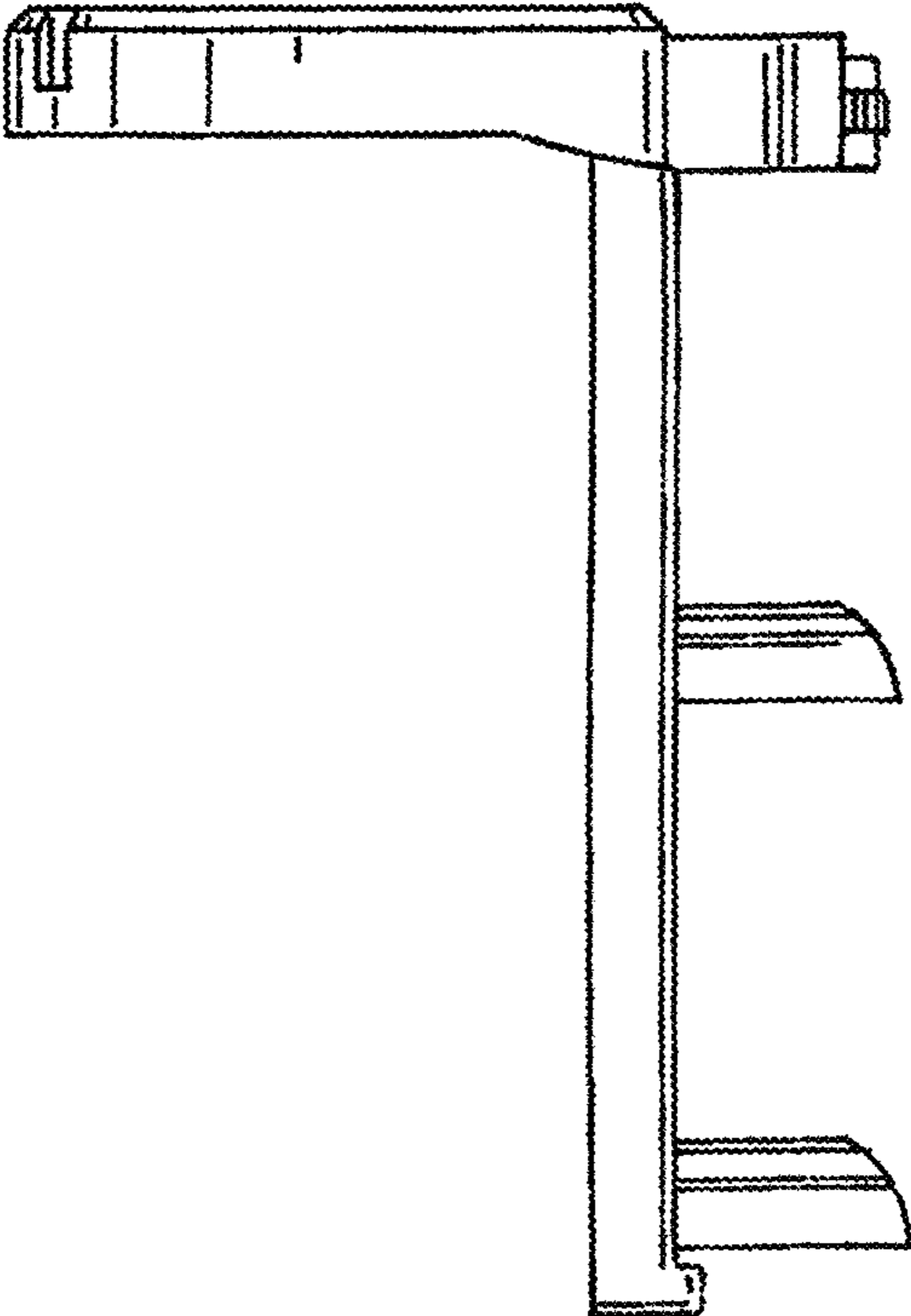


FIG. 4

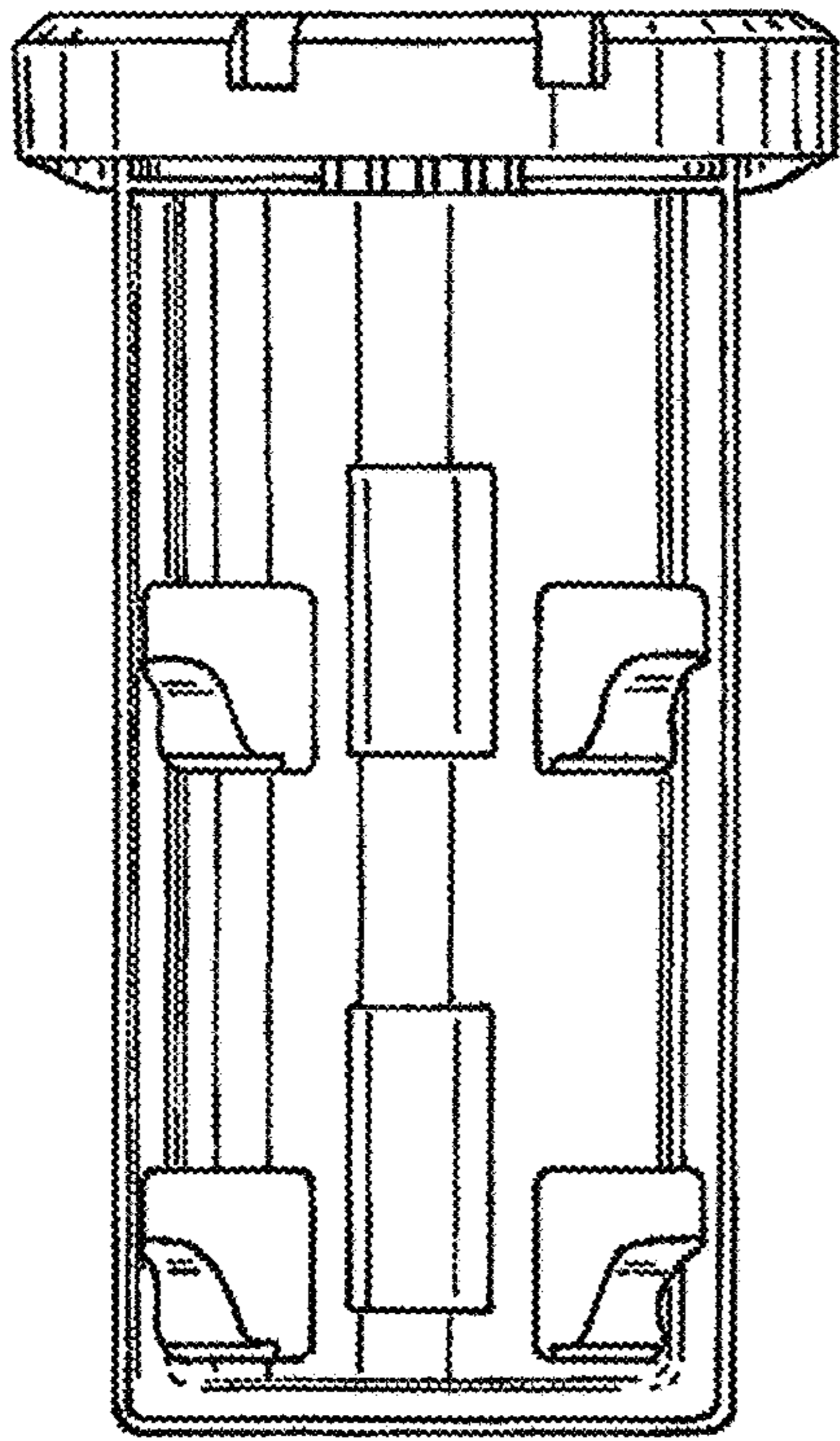


FIG. 5

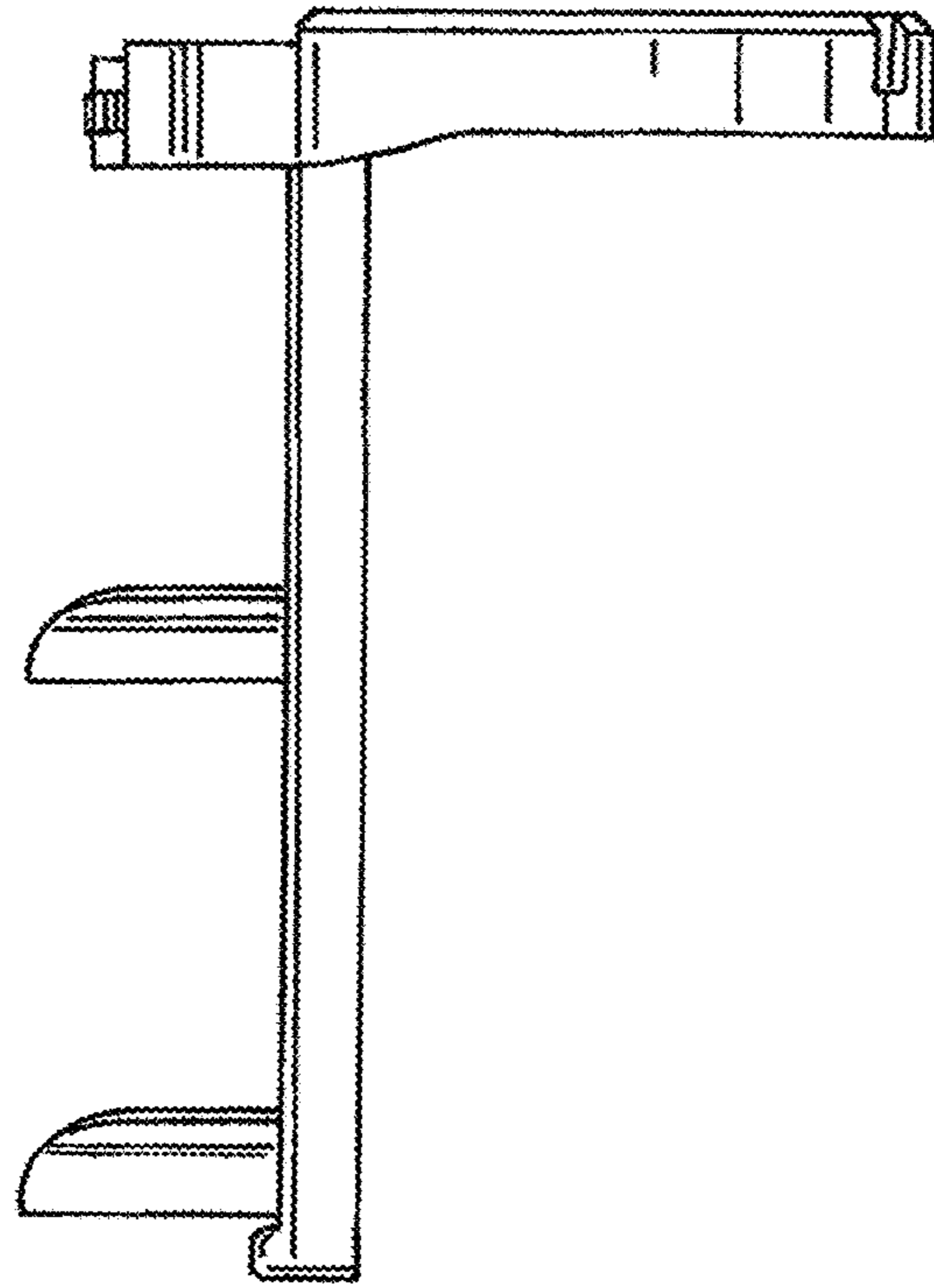


FIG. 6

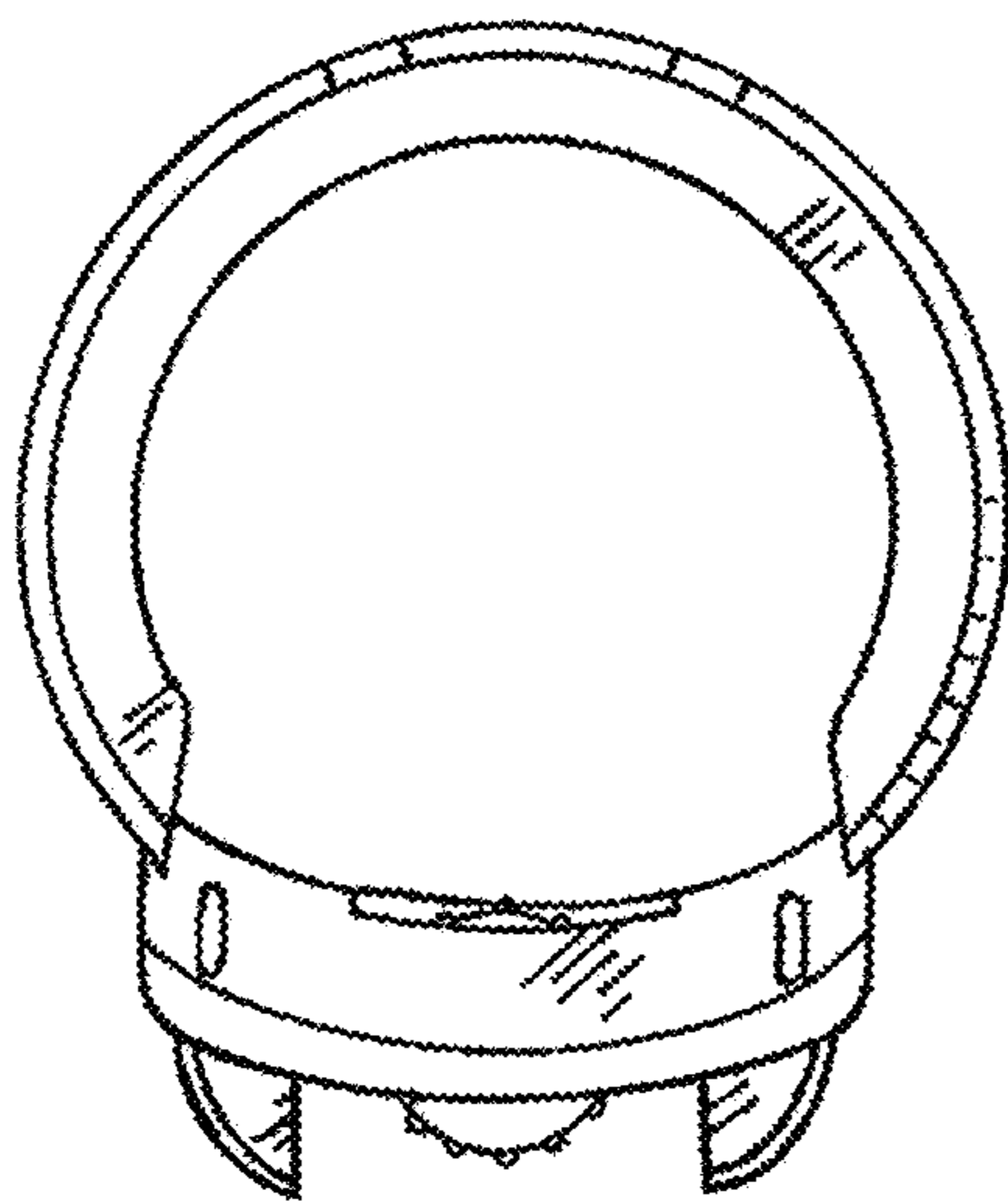


FIG. 7

