



US00D925000S

(12) **United States Design Patent** (10) **Patent No.:** **US D925,000 S**  
**Daniil** (45) **Date of Patent:** **\*\* Jul. 13, 2021**

(54) **RAT TRAP**  
(71) Applicant: **Veta Trading Corp**, Wayne, NJ (US)  
(72) Inventor: **Daniil Daniil**, Wayne, NJ (US)  
(73) Assignee: **VETA TRADING CORP**, Wayne, NJ (US)

D532,478 S 11/2006 Wiesener  
D614,724 S 4/2010 Waddington et al.  
D616,958 S 6/2010 Huang  
D664,762 S 8/2012 Dalton  
D671,186 S 11/2012 Dobias  
D671,614 S 11/2012 Dobias

(Continued)

(\*\*) Term: **15 Years**  
(21) Appl. No.: **29/734,176**

FOREIGN PATENT DOCUMENTS

WO 2017036480 \* 3/2017 ..... A01M 23/30  
WO 2017/149163 \* 8/2017 ..... A01M 23/26

(22) Filed: **May 10, 2020**  
(51) **LOC (13) Cl.** ..... **22-06**  
(52) **U.S. Cl.**  
USPC ..... **D22/119**  
(58) **Field of Classification Search**  
USPC ..... D22/119-120; 248/346.01; 43/58,  
43/69-70, 77, 81-83, 83.5, 88-90, 92-93,  
43/98, 114, 136-137  
CPC ..... A01M 23/00; A01M 23/30; A01M 23/36;  
A01M 23/005; A01M 29/36; A01M 1/14  
See application file for complete search history.

OTHER PUBLICATIONS

Pest Control Rat Traps & Mouse Traps for Instant Kill Results, Set f 6 Large Reusable Snap Traps for Mice Chipmunks 'N Squirrels, Humane Mousetraps for The House . . . Kat Sense, Pest Control Solutions (Year: 2017) [https://www.amazon.com/Professional-Infestation-Solutions-AntiRodent-Protection/dp/B01MZ19B3O/ref=sr\\_1\\_5?dchild=1&keywords=rat+trap&qid=1618450757&sr=8-5.\\*](https://www.amazon.com/Professional-Infestation-Solutions-AntiRodent-Protection/dp/B01MZ19B3O/ref=sr_1_5?dchild=1&keywords=rat+trap&qid=1618450757&sr=8-5.*)

*Primary Examiner* — Catherine R Oliver-Garcia  
(74) *Attorney, Agent, or Firm* — Michael J. Feigin, Esq.; Feigin and Fridman LLC

(56) **References Cited**

U.S. PATENT DOCUMENTS

432,122 A 7/1890 Donaldson  
432,743 A 7/1890 Waddel  
1,080,623 A 12/1913 Brorby  
1,184,667 A 5/1916 Appleby  
4,665,644 A 5/1987 Vajs  
D320,833 S 10/1991 Lumsden  
D323,016 S 1/1992 Vajs  
D335,325 S 5/1993 Morford  
D385,611 S 10/1997 Prince et al.  
D441,828 S 5/2001 Leyerle  
6,415,544 B1 \* 7/2002 Leyerle ..... A01M 23/24  
43/82  
6,508,031 B1 \* 1/2003 Johnson ..... A01M 23/30  
43/83.5  
6,574,912 B1 \* 6/2003 Johnson ..... A01M 23/26  
43/58  
D503,177 S 3/2005 Underwood

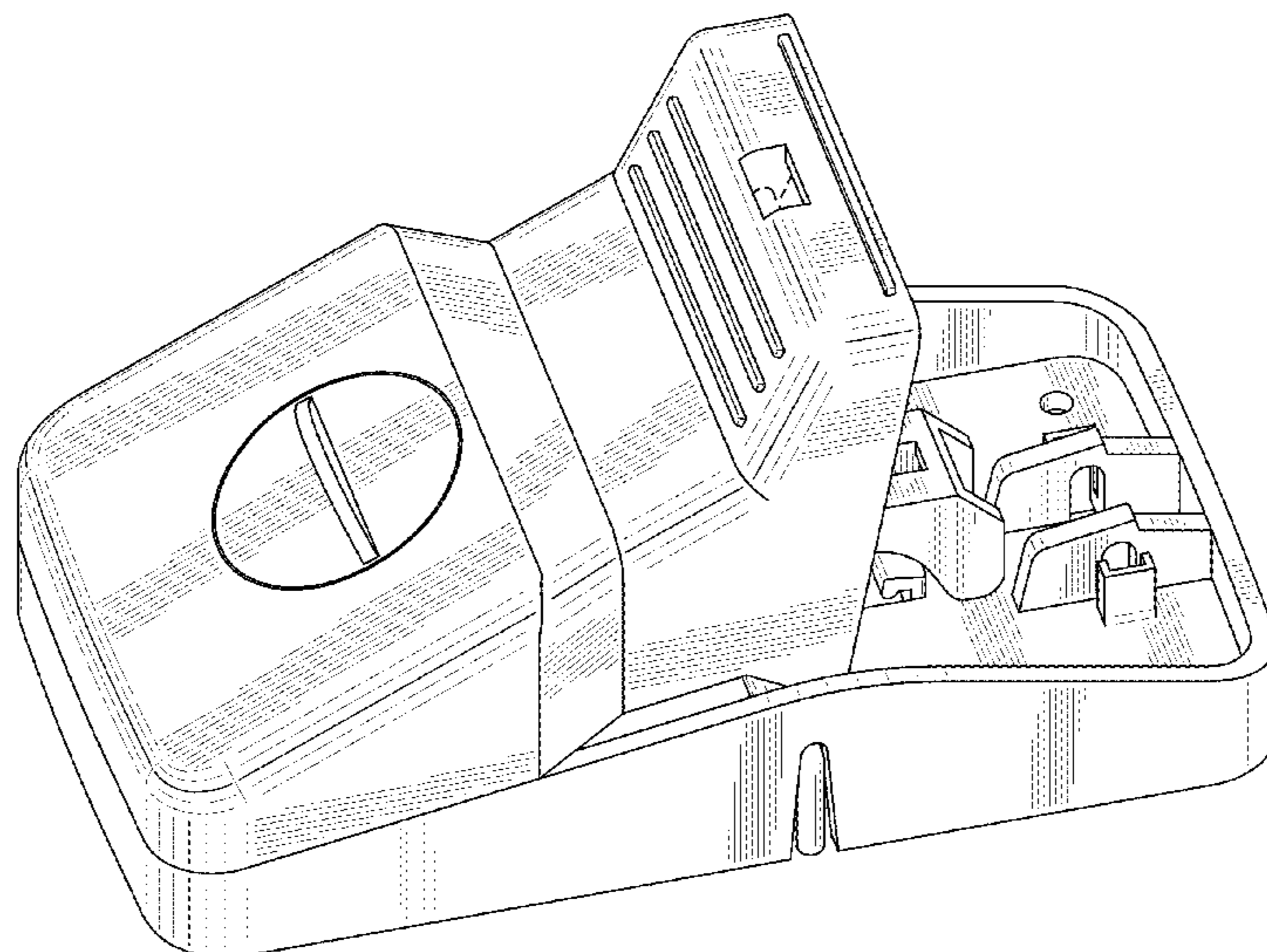
(57) **CLAIM**

The ornamental design for a rat trap, as shown.

**DESCRIPTION**

FIG. 1 shows a top and side perspective view of a rat trap. FIG. 2 shows a top plan view thereof. FIG. 3 shows a bottom plan view thereof. FIG. 4 shows a side elevation view thereof, the reverse side being a mirror image thereof. FIG. 5 shows a front elevation view thereof; and, FIG. 6 shows a rear elevation view thereof. The dashed lines show portions of the rat trap which form no part of the claimed design.

**1 Claim, 6 Drawing Sheets**



(56)

**References Cited**

U.S. PATENT DOCUMENTS

D673,640	S	1/2013	Bailey	
D676,098	S	2/2013	Huang	
8,490,322	B2	7/2013	Dobias	
D713,488	S	9/2014	Dobias et al.	
D713,489	S	9/2014	Dobias	
D722,127	S	2/2015	Huang	
8,959,829	B2	2/2015	Kay	
9,210,924	B1	12/2015	Terrell	
D764,010	S	8/2016	Tian	
D770,006	S	10/2016	Tian	
9,510,587	B1	12/2016	Hodel	
D836,747	S	12/2018	Ambler	
D842,422	S	3/2019	Guerrie et al.	
D863,493	S	10/2019	Le Laidier	
D868,201	S	11/2019	Walsh	
D886,233	S	6/2020	Daniil	
2010/0199544	A1 *	8/2010	Frisch .....	A01M 23/005 43/81
2012/0011764	A1 *	1/2012	Dobias .....	A01M 23/30 43/81
2013/0263494	A1 *	10/2013	Kay .....	A01M 23/00 43/58

\* cited by examiner

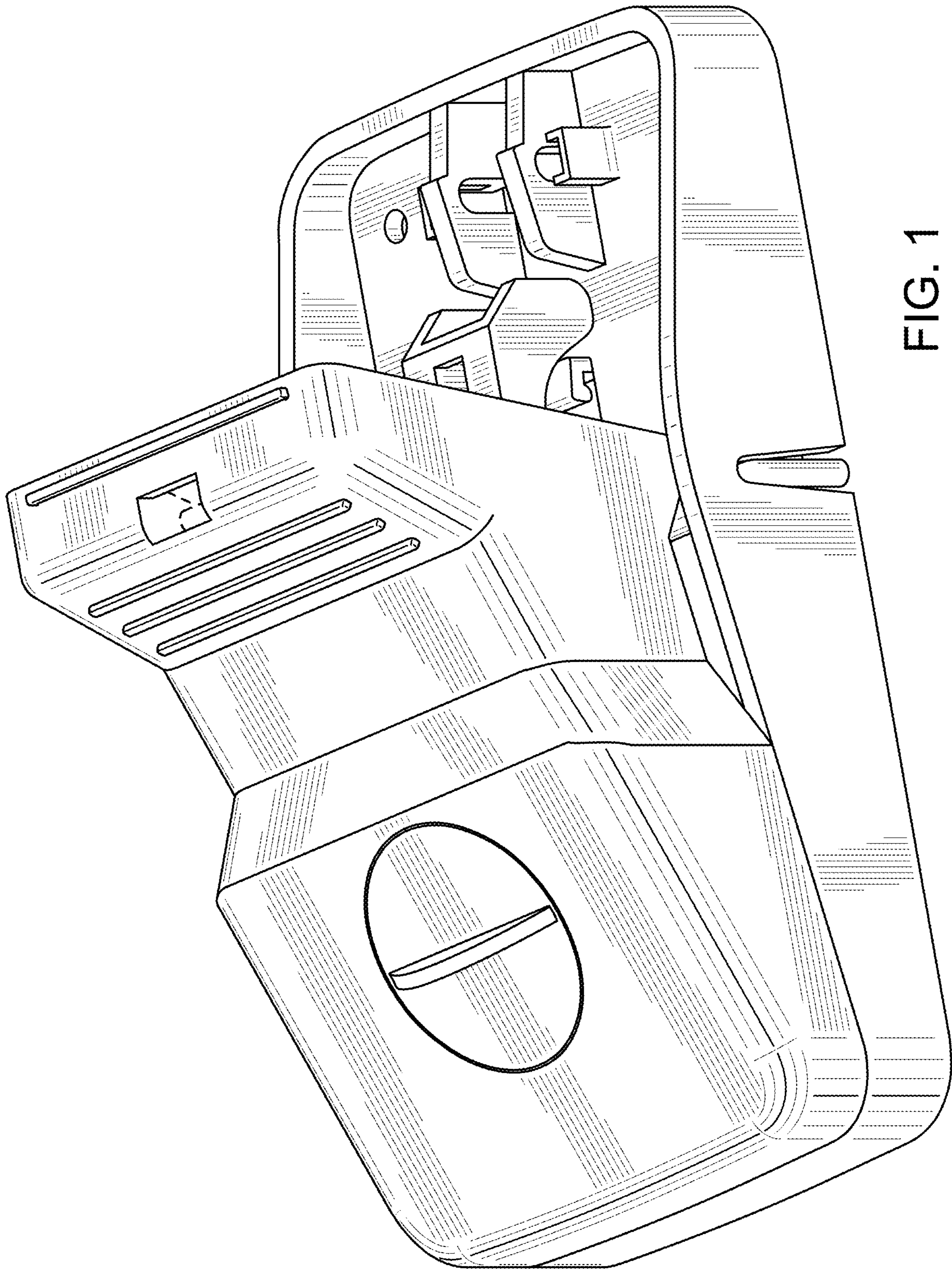


FIG. 1

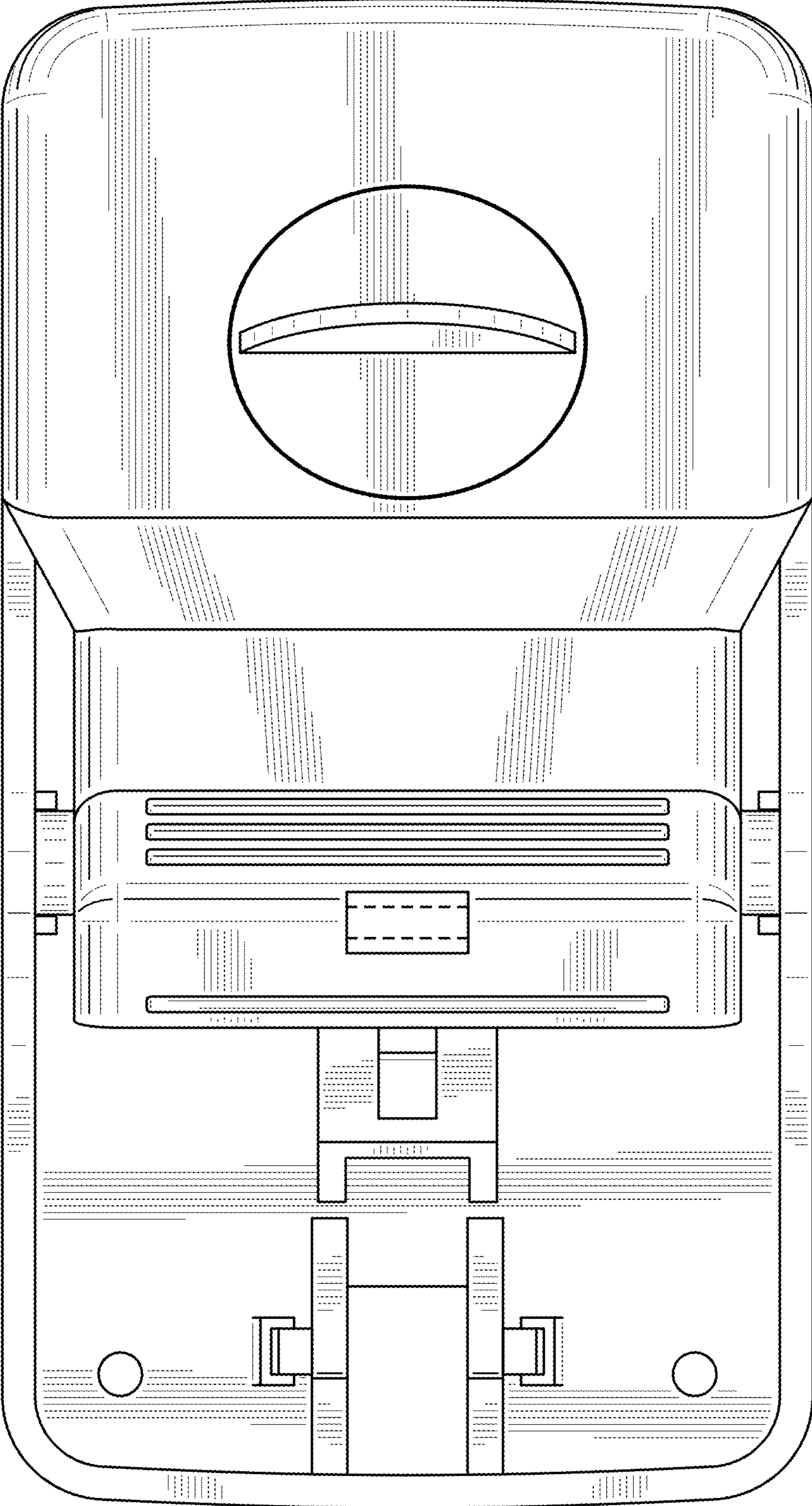


FIG. 2

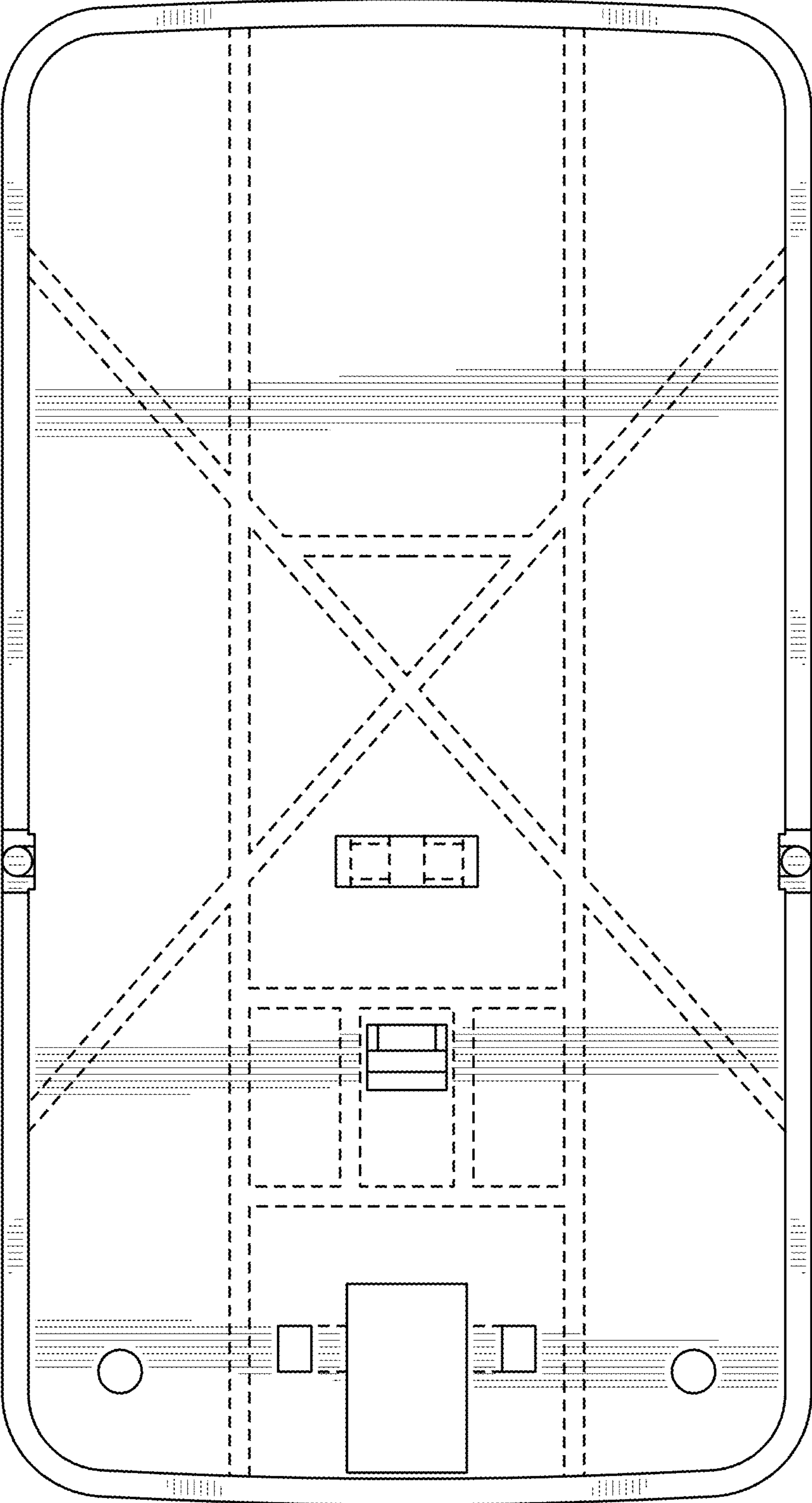


FIG. 3

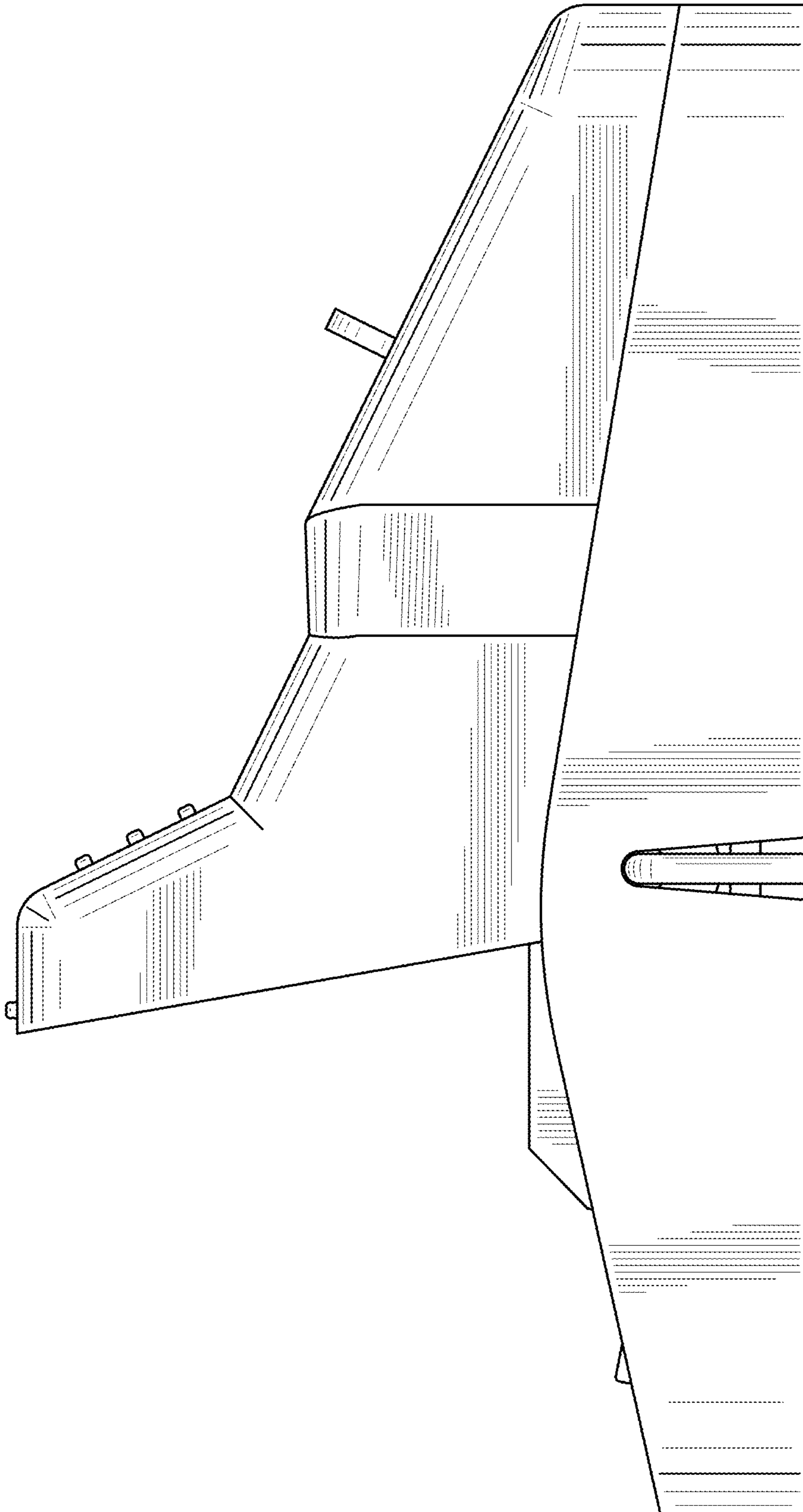


FIG. 4

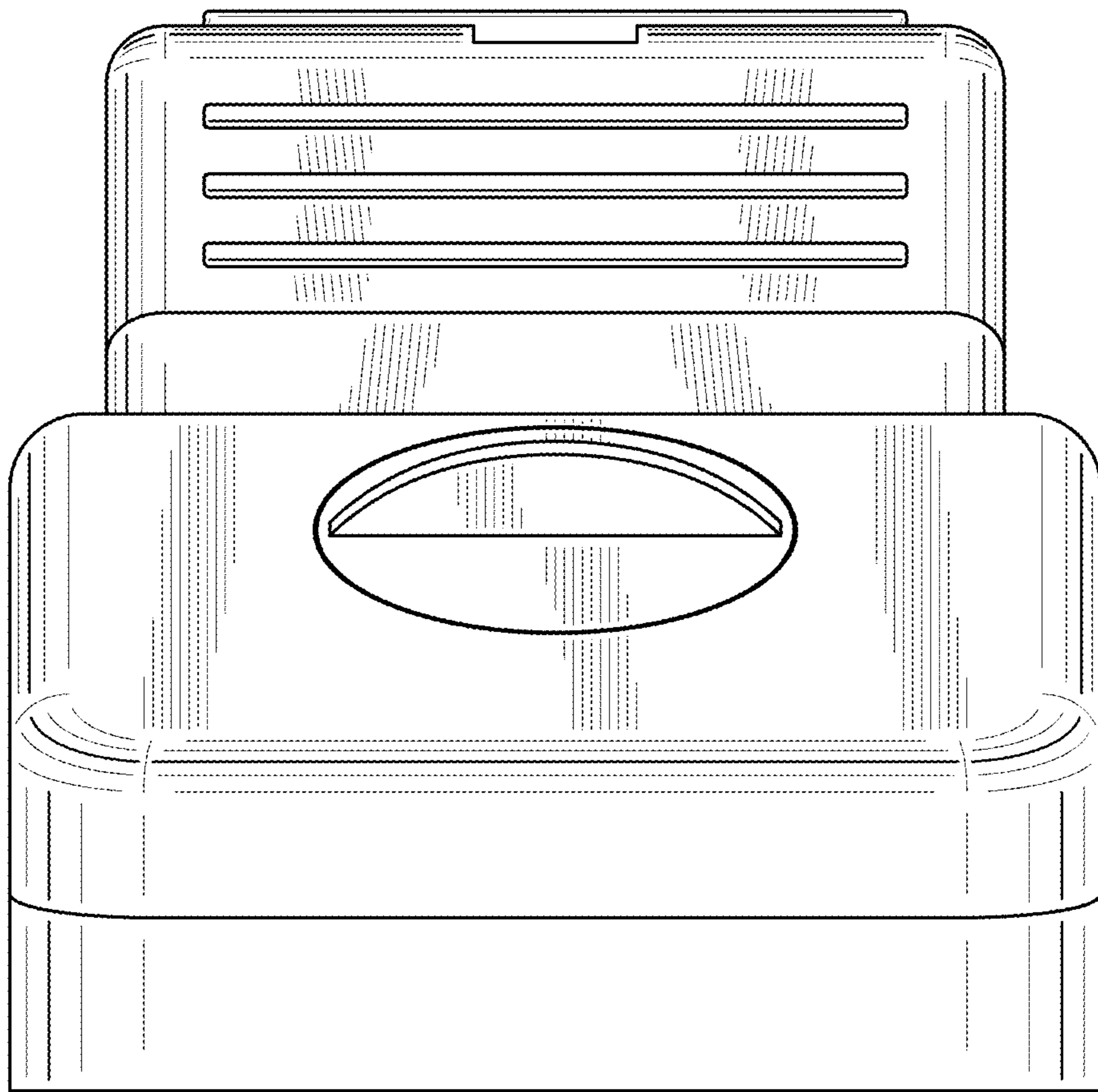


FIG. 5

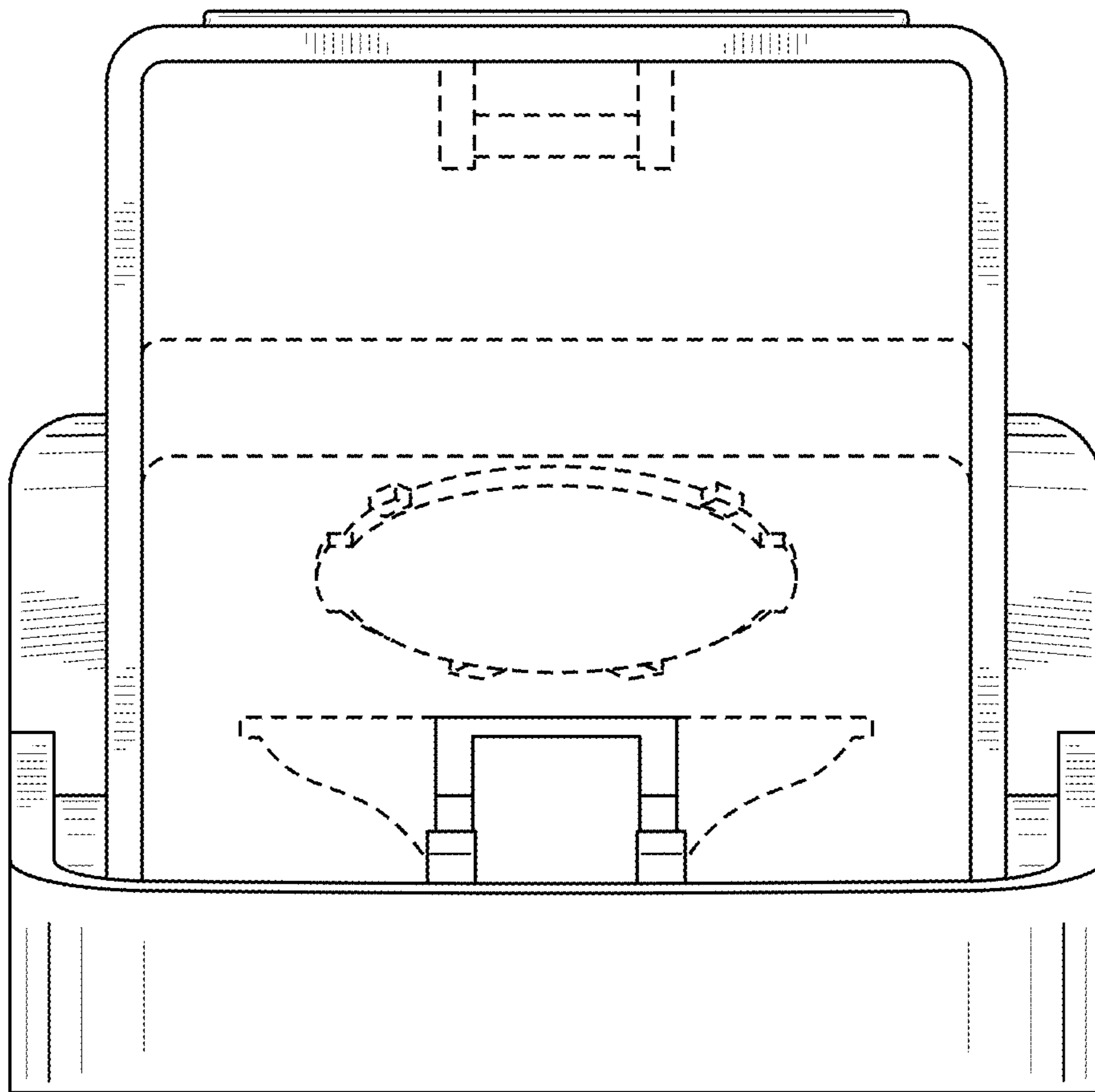


FIG. 6