



US00D924998S

(12) **United States Design Patent**  
**Goldman**

(10) **Patent No.:** **US D924,998 S**

(45) **Date of Patent:** **\*\* Jul. 13, 2021**

(54) **POOL FLOAT**

(71) Applicant: **Rachel L. Goldman**, Sarasota, FL (US)

(72) Inventor: **Rachel L. Goldman**, Sarasota, FL (US)

(\*\*) Term: **15 Years**

(21) Appl. No.: **29/709,152**

(22) Filed: **Oct. 11, 2019**

(51) **LOC (13) Cl.** ..... **21-02**

(52) **U.S. Cl.**

USPC ..... **D21/808**; D21/803

(58) **Field of Classification Search**

USPC ..... D6/597-599, 601; D12/316; D21/803,  
D21/805-806, 808, 809

CPC .. A63B 21/4005; A47C 15/006; A47C 15/008

See application file for complete search history.

(56) **References Cited**

**U.S. PATENT DOCUMENTS**

5,447,459	A *	9/1995	Hammond	.....	B63B 32/00 441/135
D377,821	S *	2/1997	Kuan	.....	D21/809
5,766,052	A *	6/1998	Metro	.....	B63B 17/02 441/130
D413,956	S *	9/1999	Peterson	.....	D21/801
6,394,868	B1 *	5/2002	Katz	.....	B63B 34/50 441/130
6,749,474	B2 *	6/2004	Hsu	.....	B63B 34/50 441/131
D847,929	S *	5/2019	Chin Gerding	.....	D21/803

D866,872	S *	11/2019	Liu	.....	D29/124
D869,589	S *	12/2019	Castro	.....	D21/803
D891,556	S *	7/2020	He	.....	D21/808
D891,557	S *	7/2020	He	.....	D21/808
D897,474	S *	9/2020	He	.....	D21/808
D898,150	S *	10/2020	Barrett	.....	D21/809
D904,539	S *	12/2020	Barrett	.....	D21/808

\* cited by examiner

*Primary Examiner* — Michael C Stout

*Assistant Examiner* — Melvin L Davis

(74) *Attorney, Agent, or Firm* — Bryan L. Loeffler, Esq.;  
Loeffler IP Group, P.A.

(57) **CLAIM**

The ornamental design for a pool float, as shown and described.

**DESCRIPTION**

FIG. 1 is a right side perspective view of the pool float showing my new design;

FIG. 2 is a right side view of a pool float thereof;

FIG. 3 is a left side view of the pool float thereof;

FIG. 4 is a top view of the pool float thereof;

FIG. 5 is a bottom view of the pool float thereof;

FIG. 6 is a front view of the pool float thereof;

FIG. 7 is a rear view of the pool float thereof.

FIG. 8 is a top view of the pool float thereof wherein a top screen is detached; and,

FIG. 9 is a right side exploded view of the pool float thereof wherein the top screen is detached.

**1 Claim, 5 Drawing Sheets**

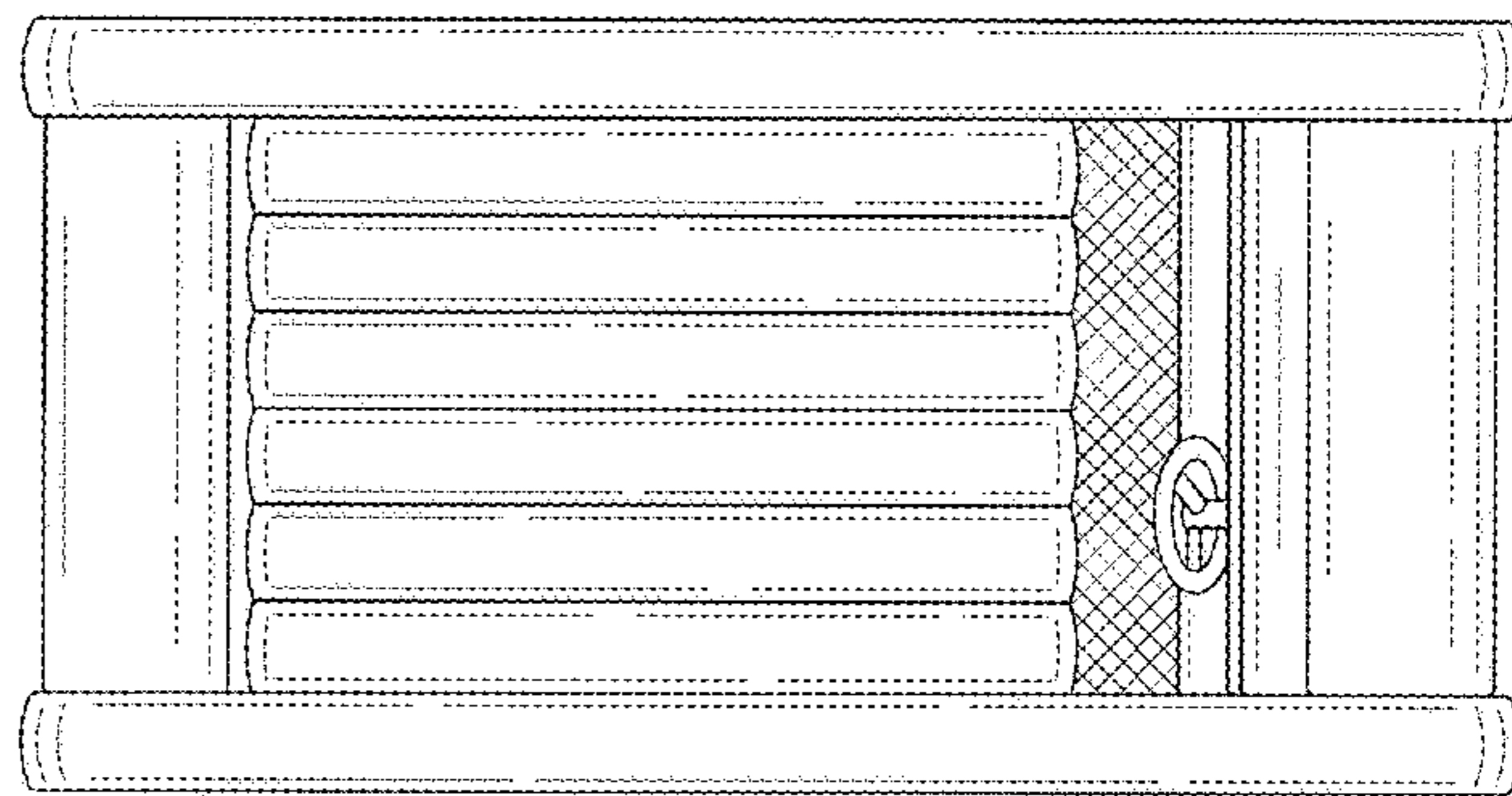
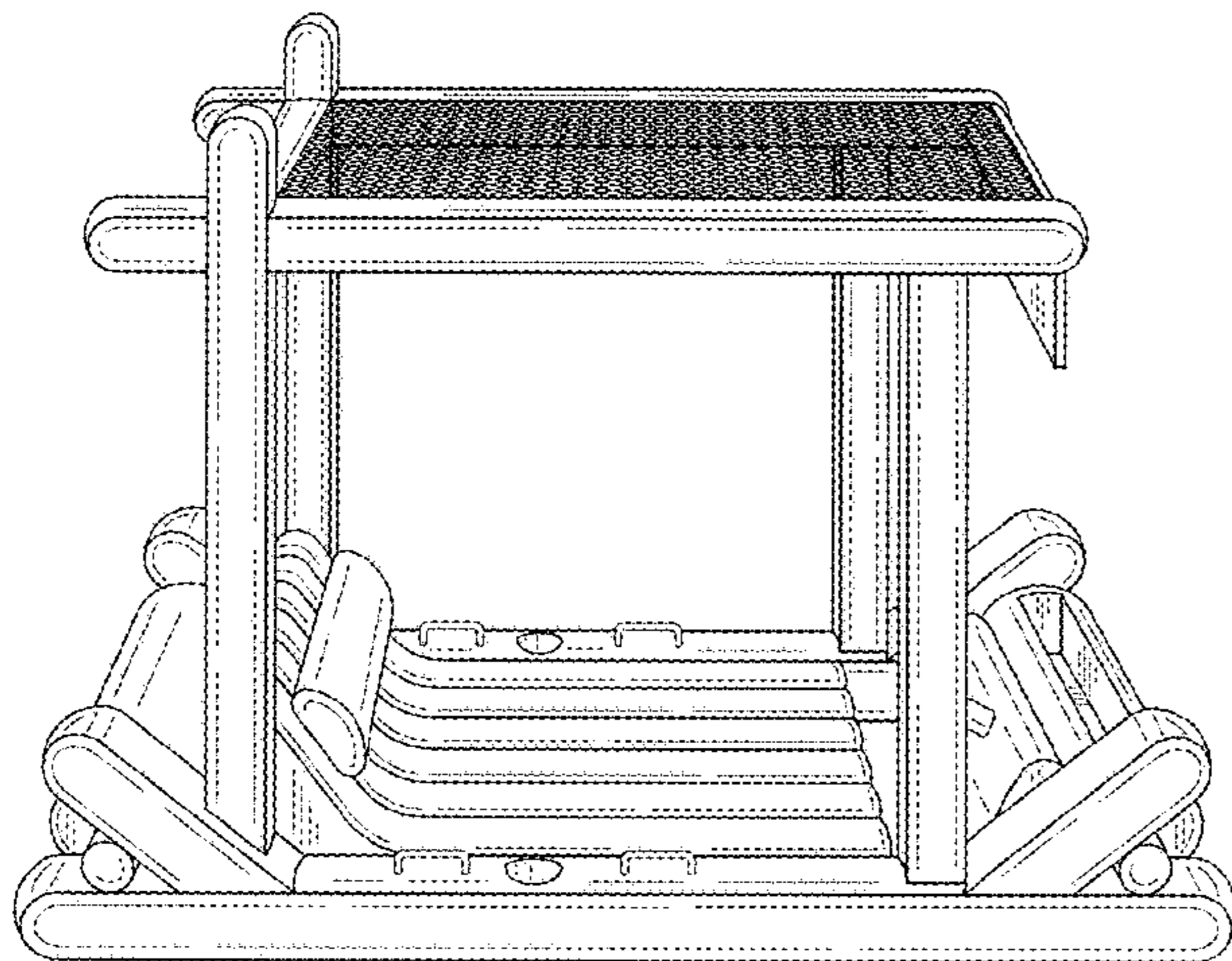


FIG. 1

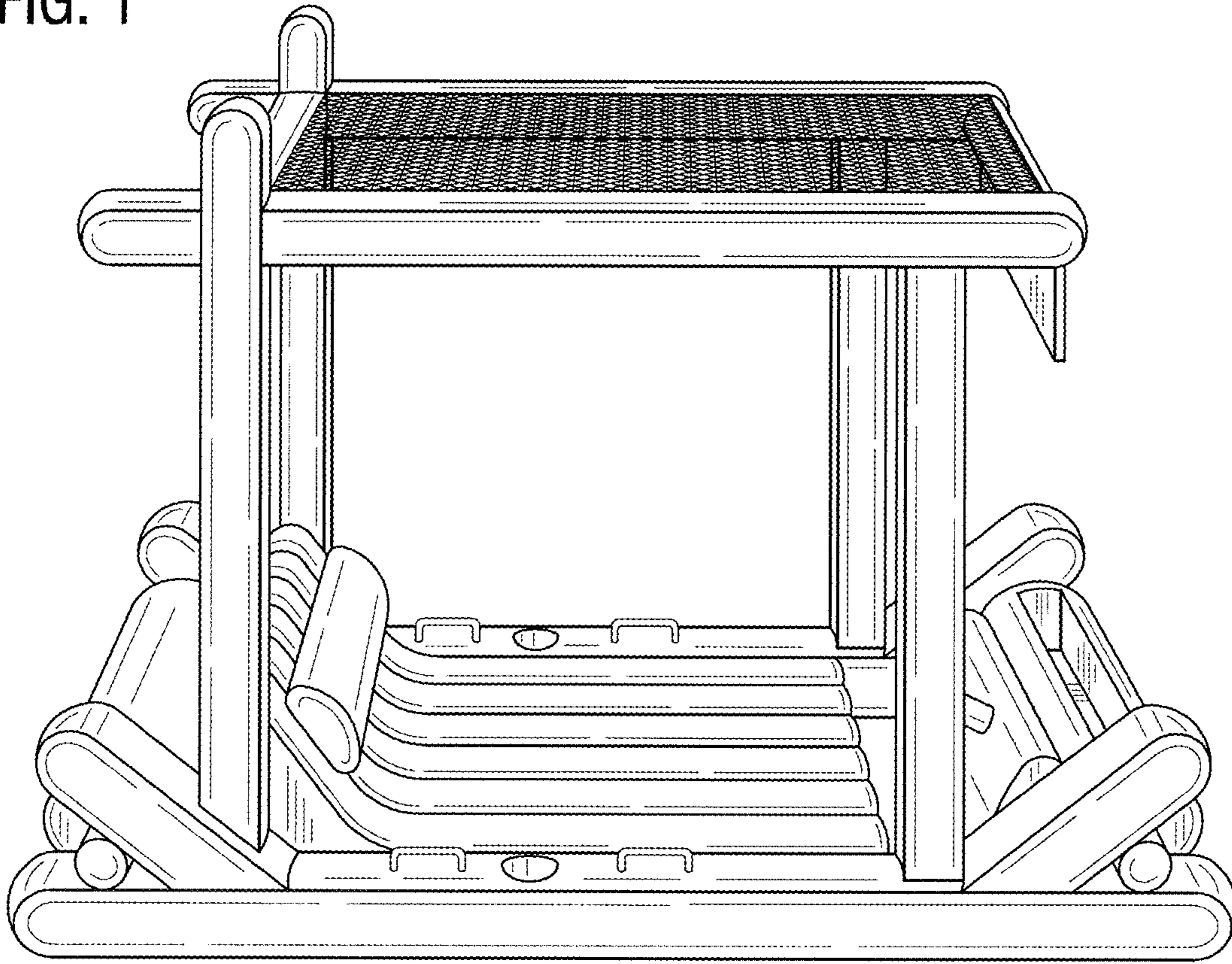


FIG. 2

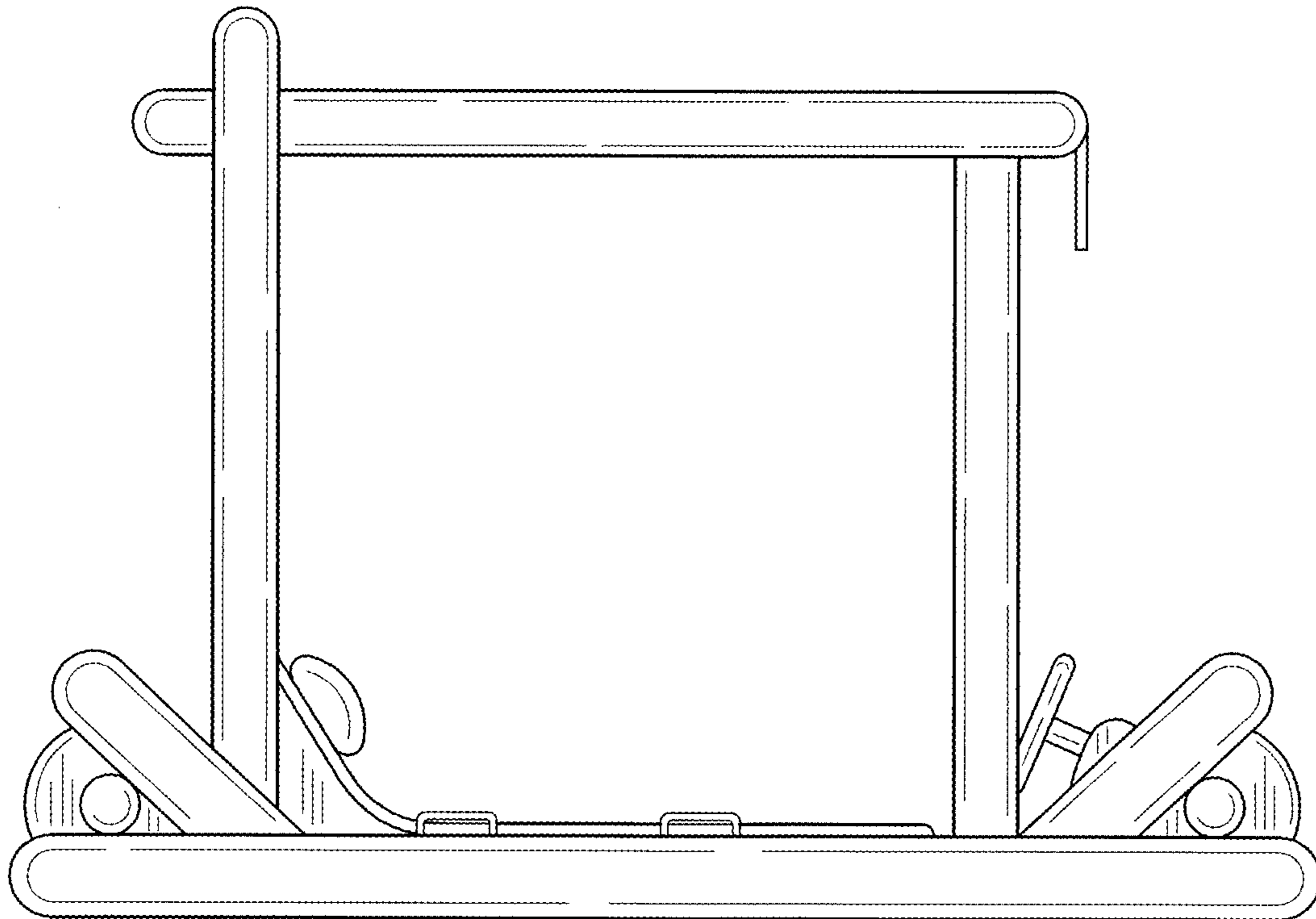




FIG. 3

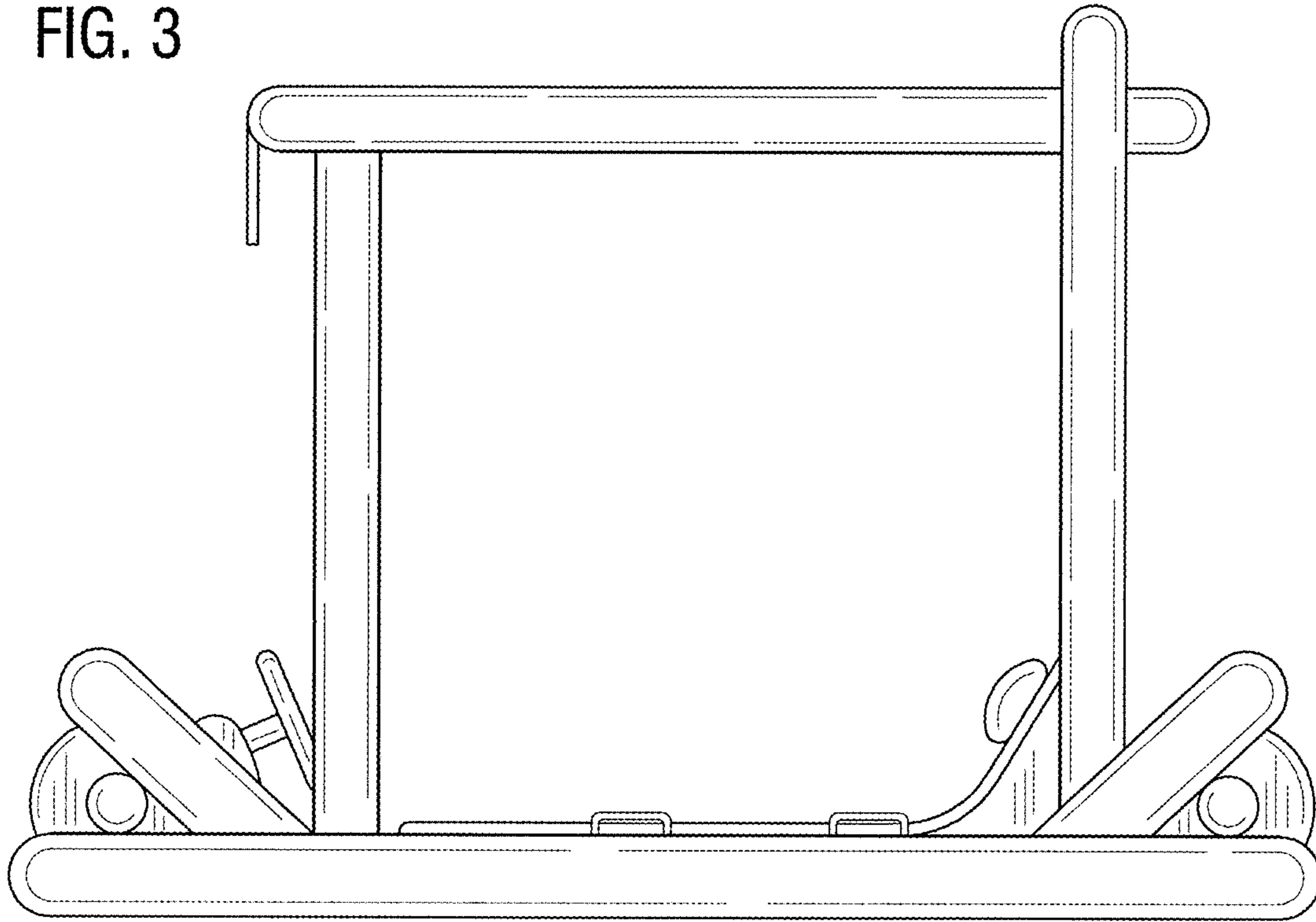


FIG. 4

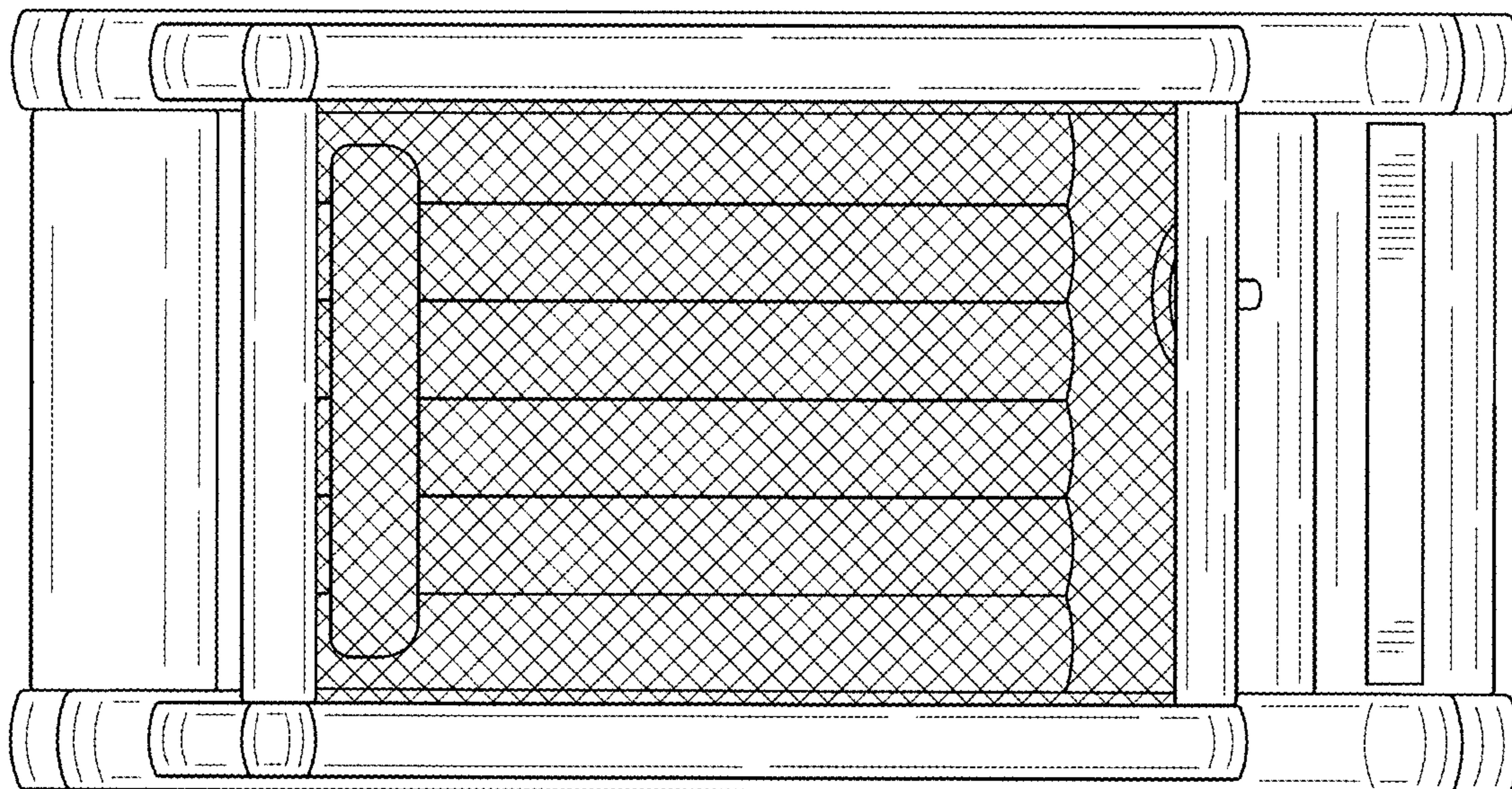


FIG. 5

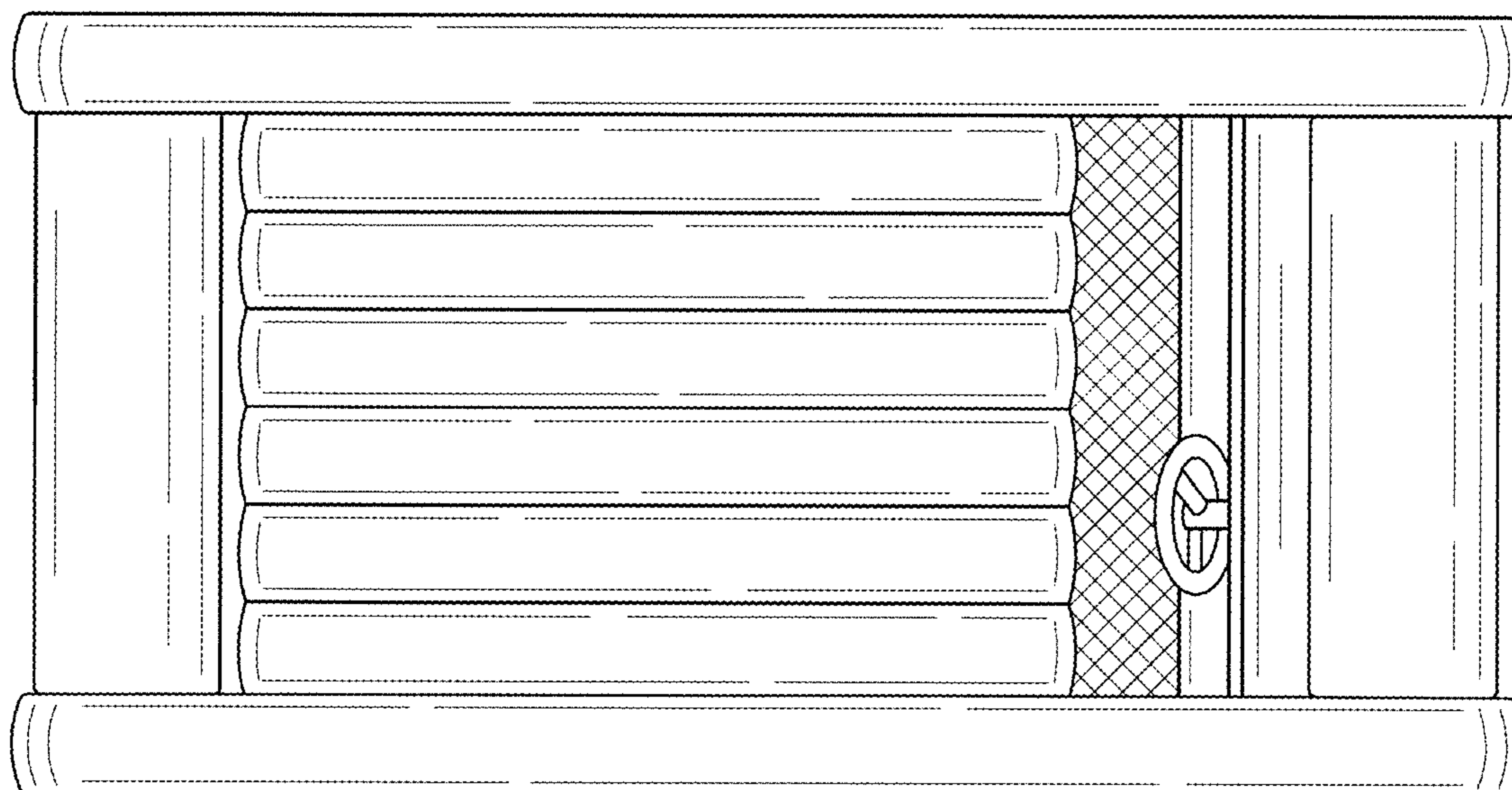


FIG. 6

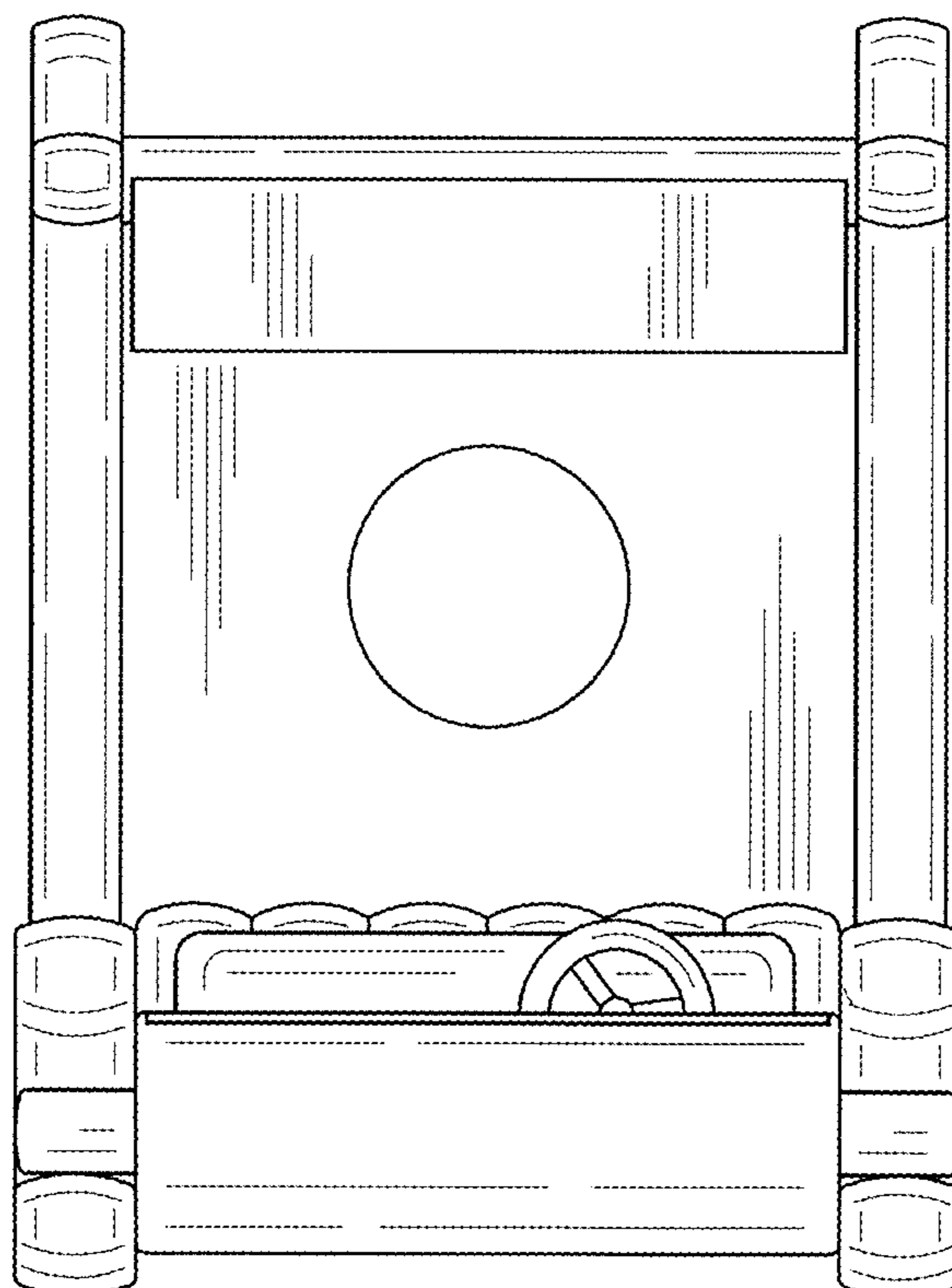


FIG. 7

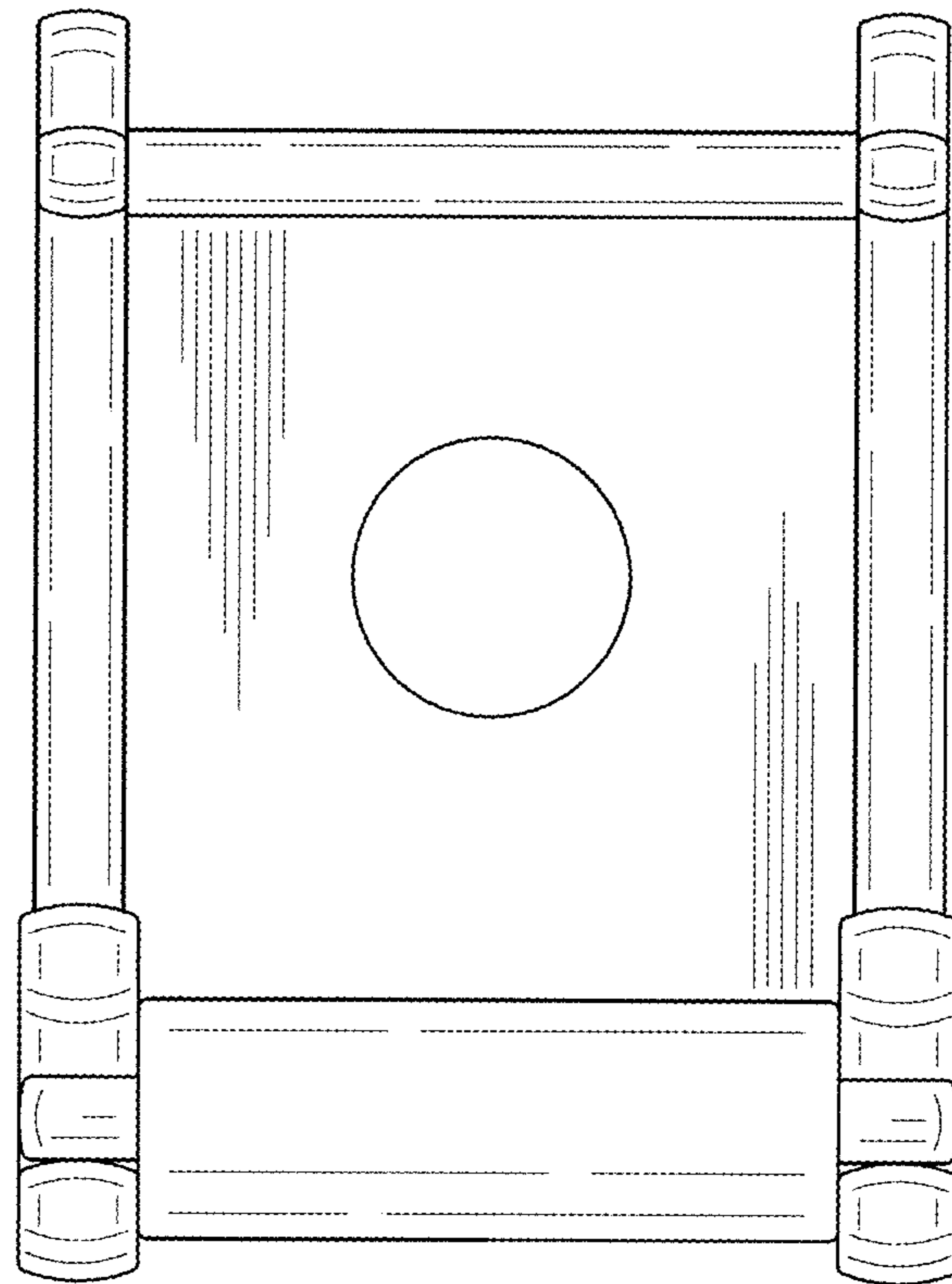


FIG. 8

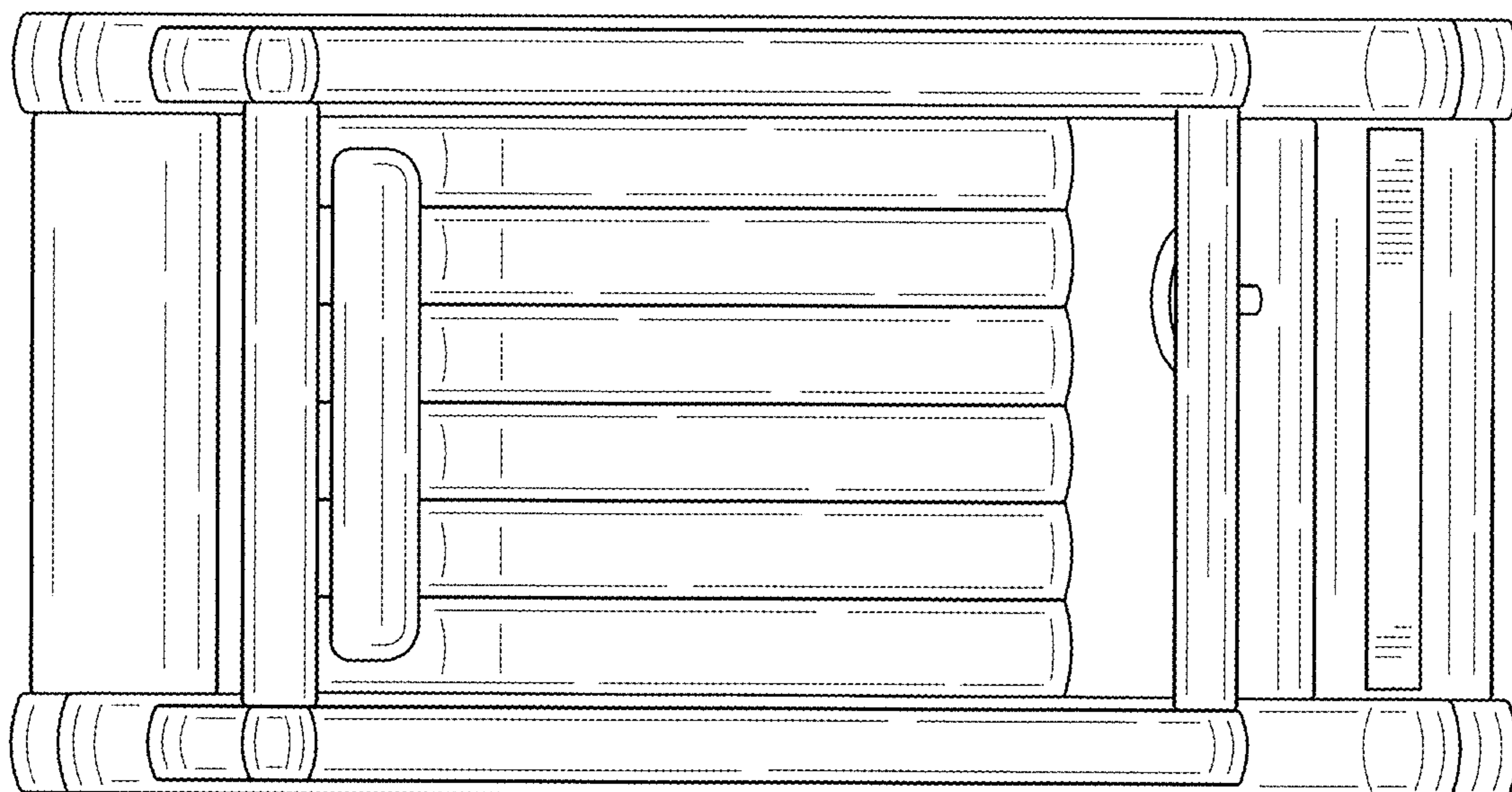




FIG. 9

