



US00D924997S

(12) **United States Design Patent**
Pitkänen

(10) **Patent No.:** **US D924,997 S**
(45) **Date of Patent:** **** Jul. 13, 2021**

- (54) **ATHLETIC EQUIPMENT**
- (71) Applicant: **Lappset Group Oy**, Rovaniemi (FI)
- (72) Inventor: **Saska Pitkänen**, Rovaniemi (FI)
- (73) Assignee: **Lappset Group Oy**, Rovaniemi (FI)
- (**) Term: **15 Years**
- (21) Appl. No.: **29/739,323**
- (22) Filed: **Jun. 24, 2020**

Related U.S. Application Data

- (62) Division of application No. 29/673,664, filed on Dec. 17, 2018, now Pat. No. Des. 914,124.
- (51) **LOC (13) Cl.** **21-02**
- (52) **U.S. Cl.**
USPC **D21/797; D6/675.4**
- (58) **Field of Classification Search**
USPC D6/641, 642, 672, 673, 675.3, 675.4,
D6/685; D21/797
CPC A47F 3/004; A47F 3/02
See application file for complete search history.

(56) **References Cited**

U.S. PATENT DOCUMENTS

- 3,771,795 A * 11/1973 Flanigen A63F 9/12
273/157 R
- D245,047 S * 7/1977 Dogliotti D6/675.4
- 4,095,858 A * 6/1978 Hopf A47B 87/0276
211/194
- D250,867 S * 1/1979 Elliott D6/672
- D265,702 S * 8/1982 Savas D6/675.4

- 4,574,960 A * 3/1986 Shikatani A47F 5/00
211/189
- D300,190 S * 3/1989 Shikatani D6/675.4
- 5,161,699 A * 11/1992 Hanna A47F 5/11
211/130.1
- D332,184 S * 1/1993 Becker D6/673
- D351,048 S * 9/1994 Gaynor D19/85
- D360,764 S * 8/1995 Collins D6/675.3
- D445,274 S * 7/2001 Gasmi D6/553
- D590,635 S * 4/2009 Beckerman D6/683.1

* cited by examiner

Primary Examiner — Michael C Stout

Assistant Examiner — Melvin L Davis

(74) *Attorney, Agent, or Firm* — Leason Ellis LLP

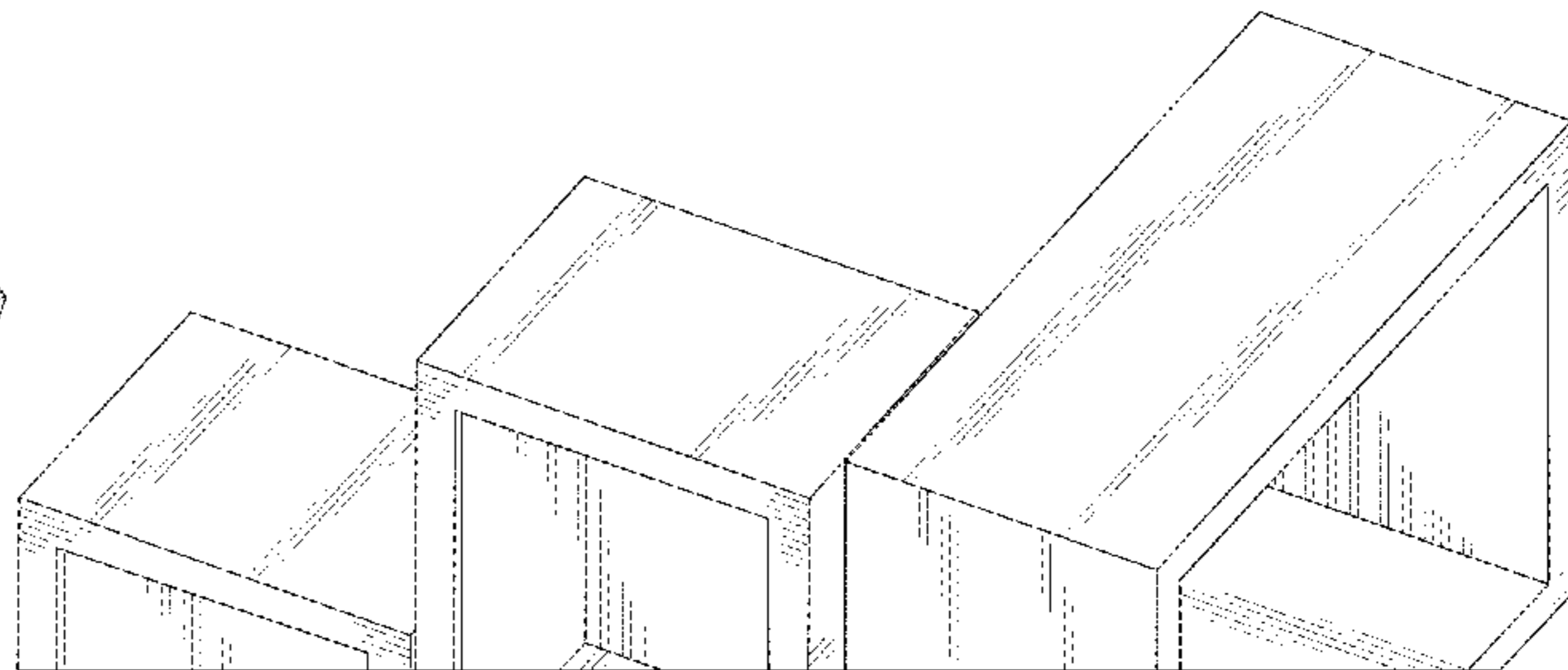
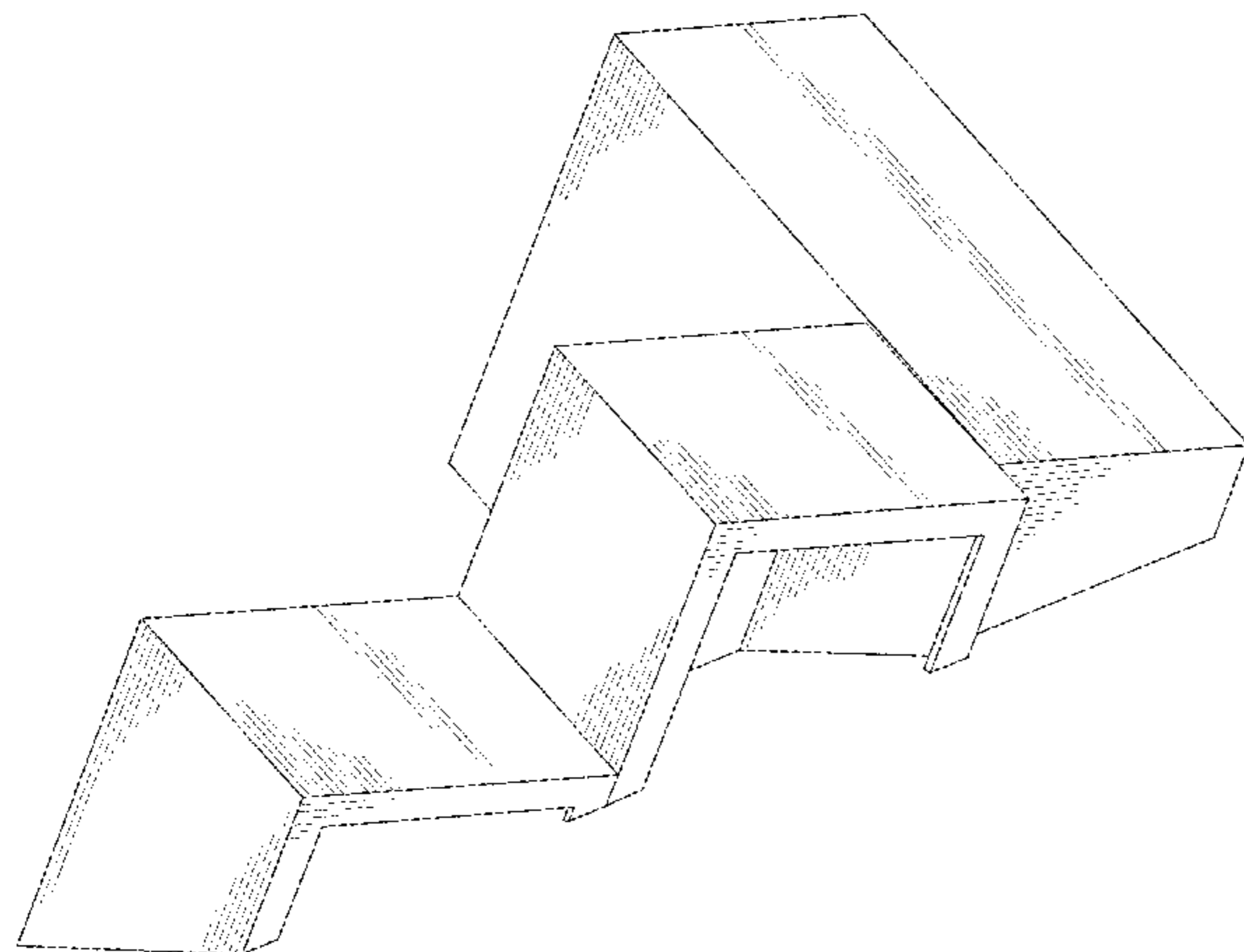
(57) **CLAIM**

The ornamental design for athletic equipment, as shown and described.

DESCRIPTION

FIG. 1 is a perspective view of athletic equipment, showing my new design;
 FIG. 2 is a front view of the design of FIG. 1;
 FIG. 3 is a rear view of the design of FIG. 1;
 FIG. 4 is a bottom view of the design of FIG. 1;
 FIG. 5 is a detail view, in perspective, of the leftmost block of the triple blocks shown in FIG. 1;
 FIG. 6 is a detail view, in perspective, of the middle block of the triple blocks shown in FIG. 1;
 FIG. 7 is a detail, front perspective view of the rightmost block of the triple blocks shown in FIG. 1;
 FIG. 8 is top view of the design of FIG. 1;
 FIG. 9 is a left side view of the design of FIG. 1; and,
 FIG. 10 is a right side view of the design of FIG. 1.

1 Claim, 10 Drawing Sheets



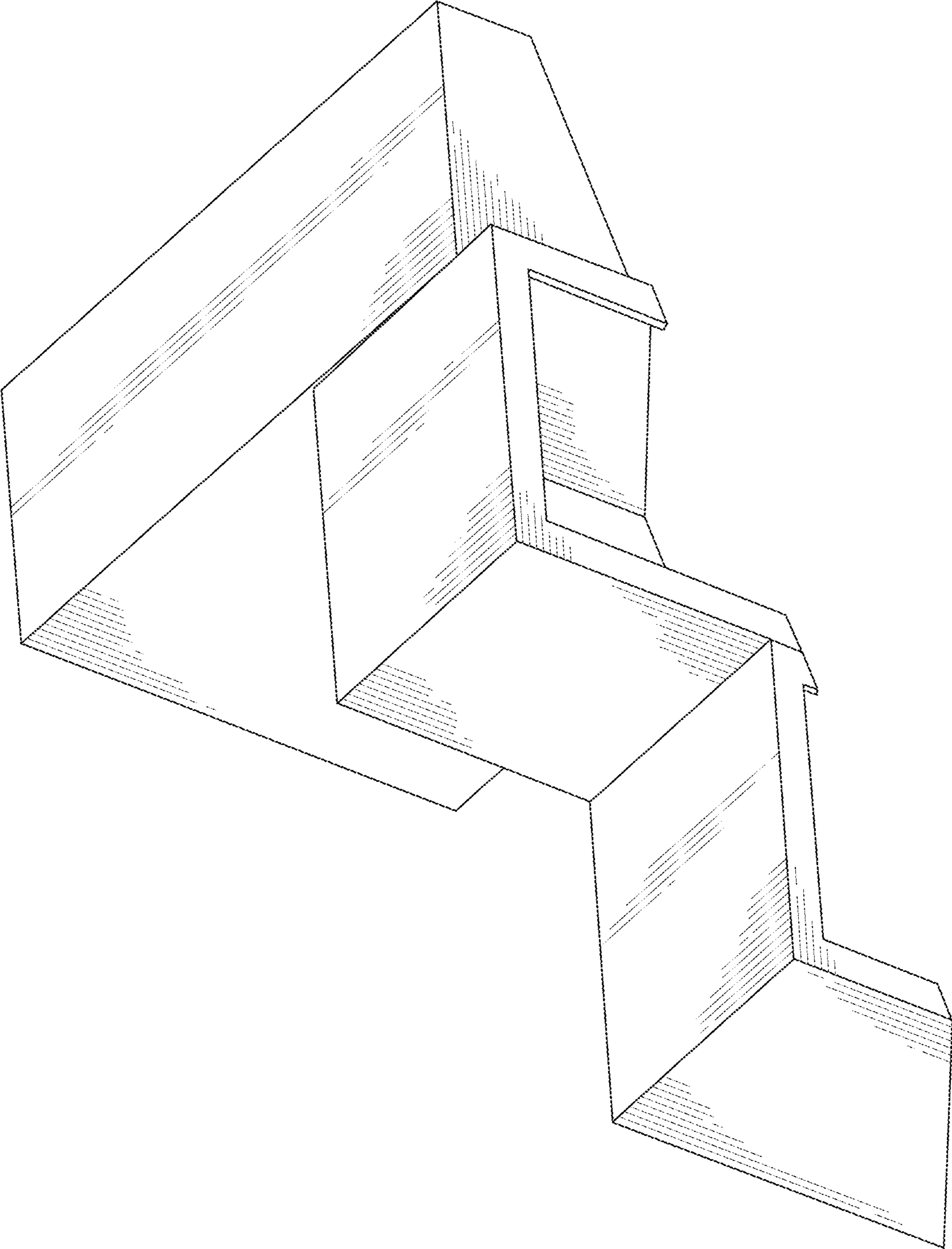


Fig. 1

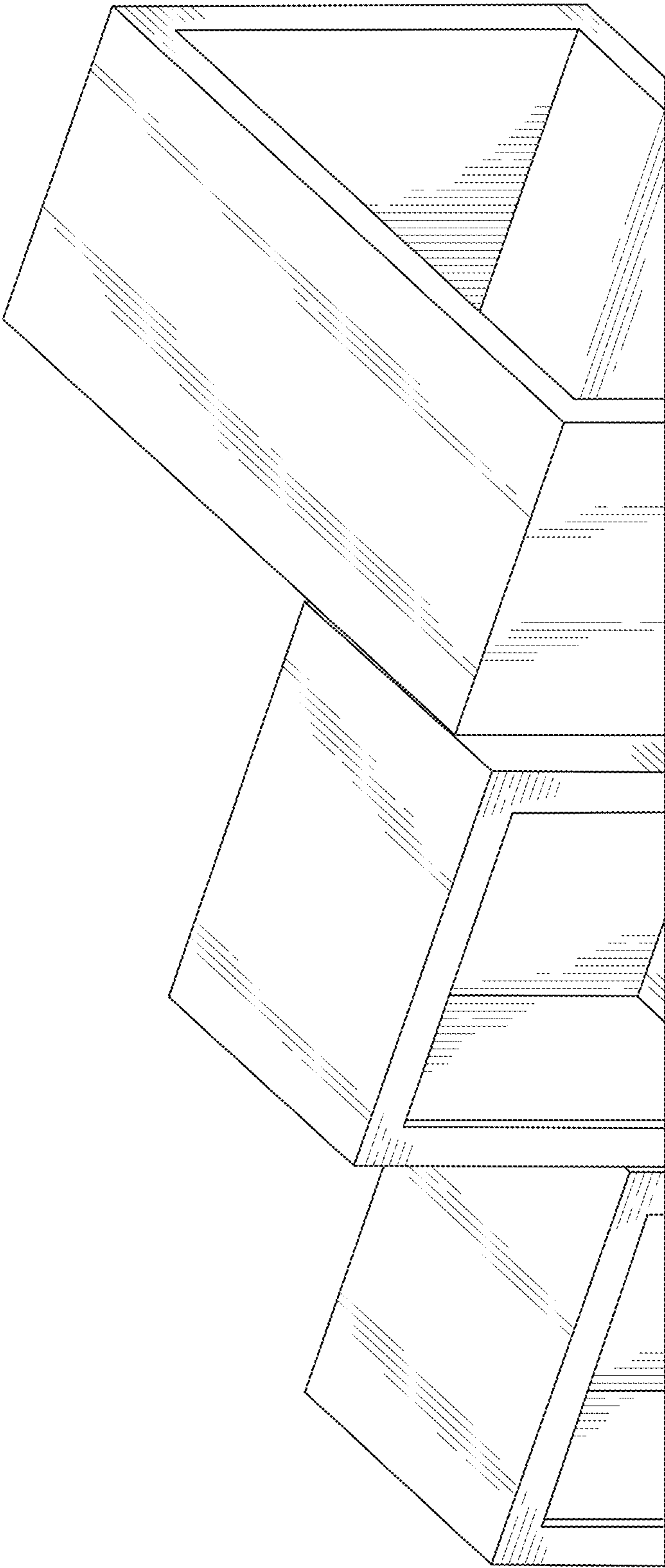


Fig. 2

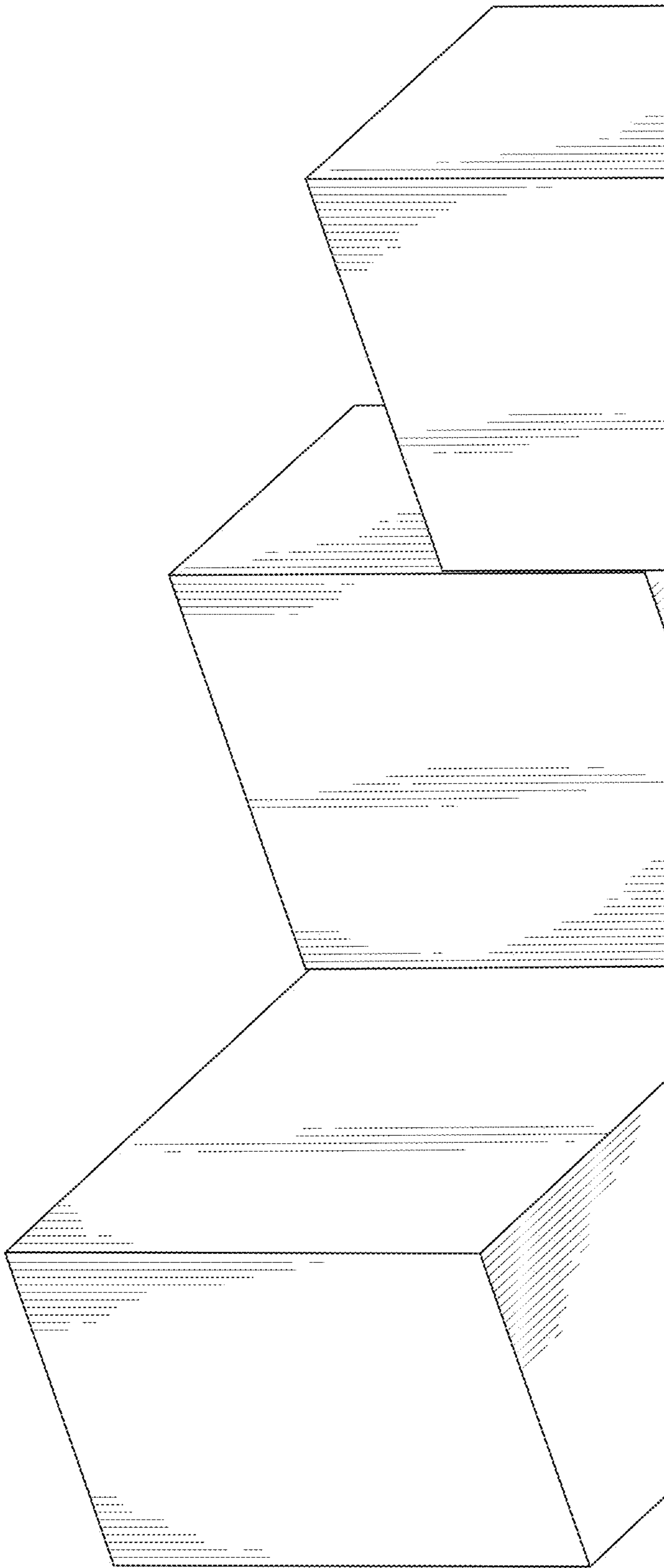


Fig. 3

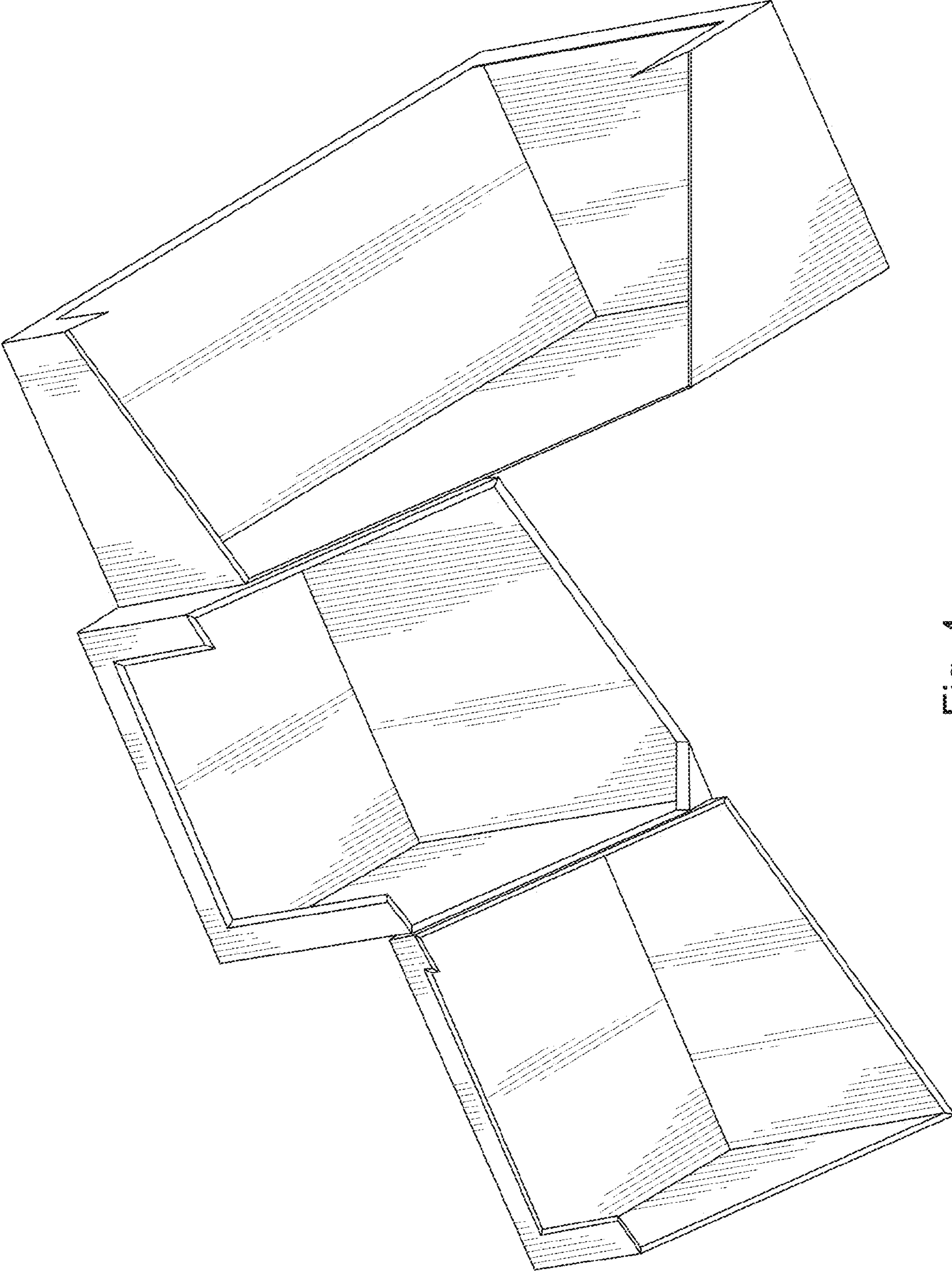


Fig. 4

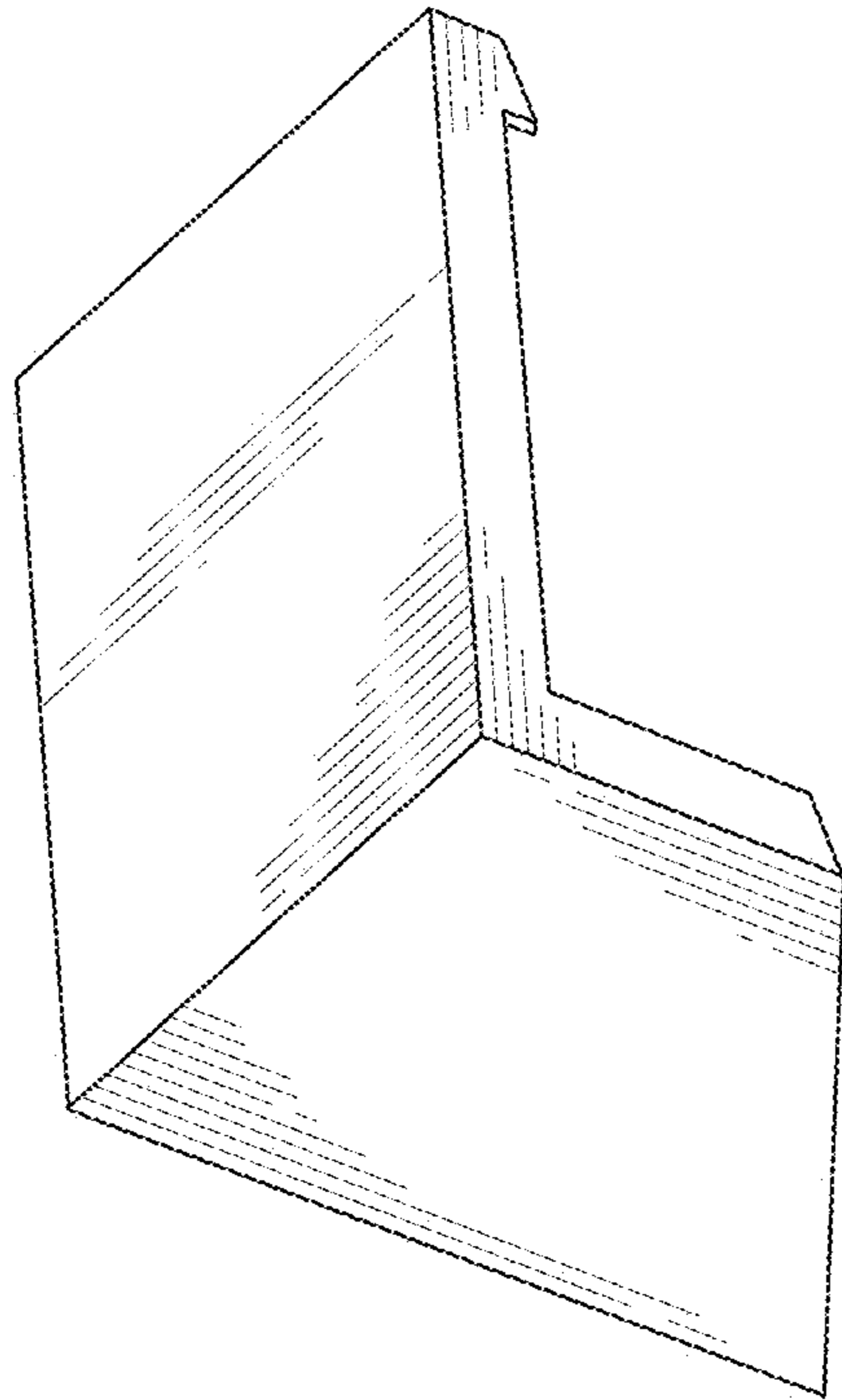


Fig. 5

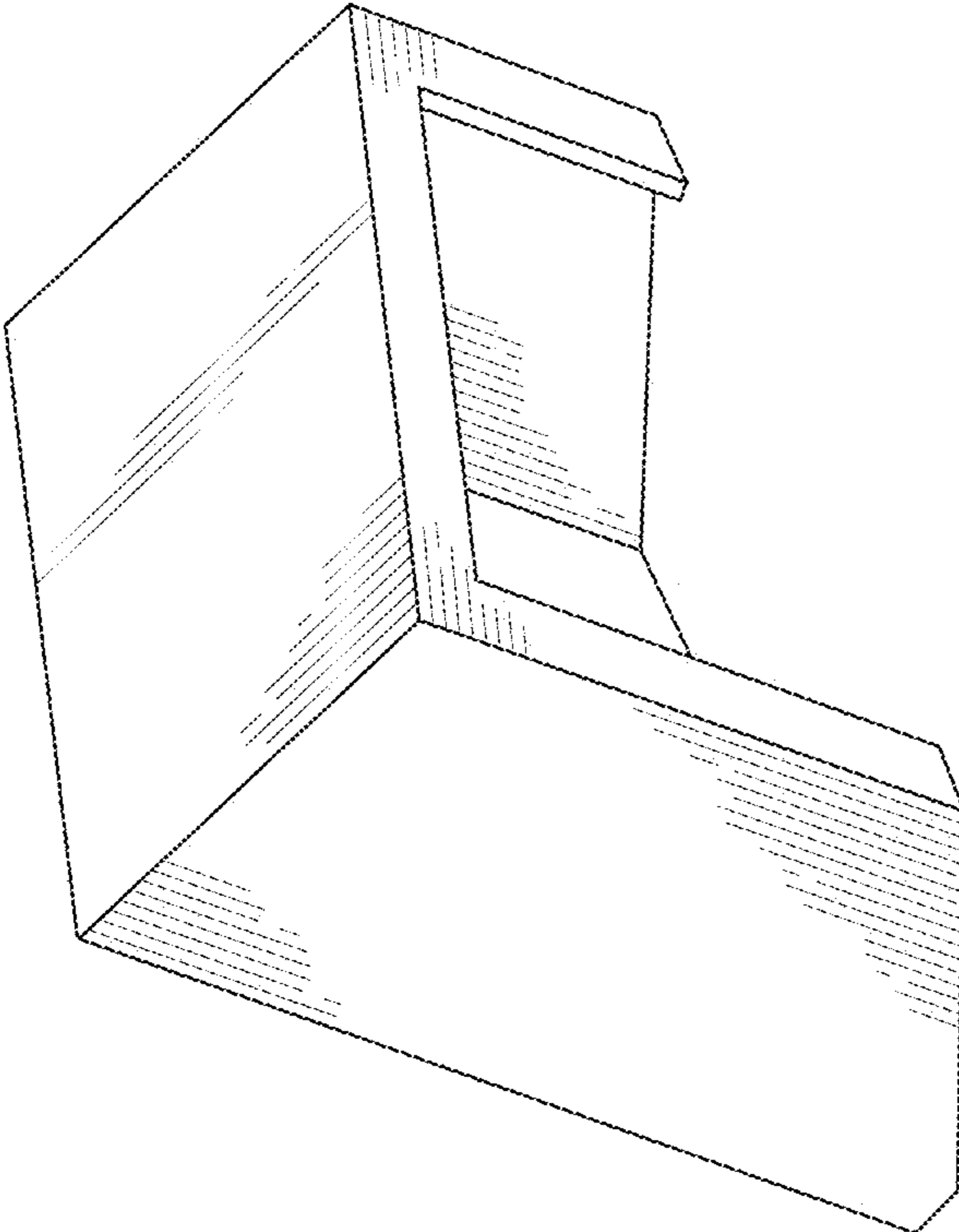


Fig. 6

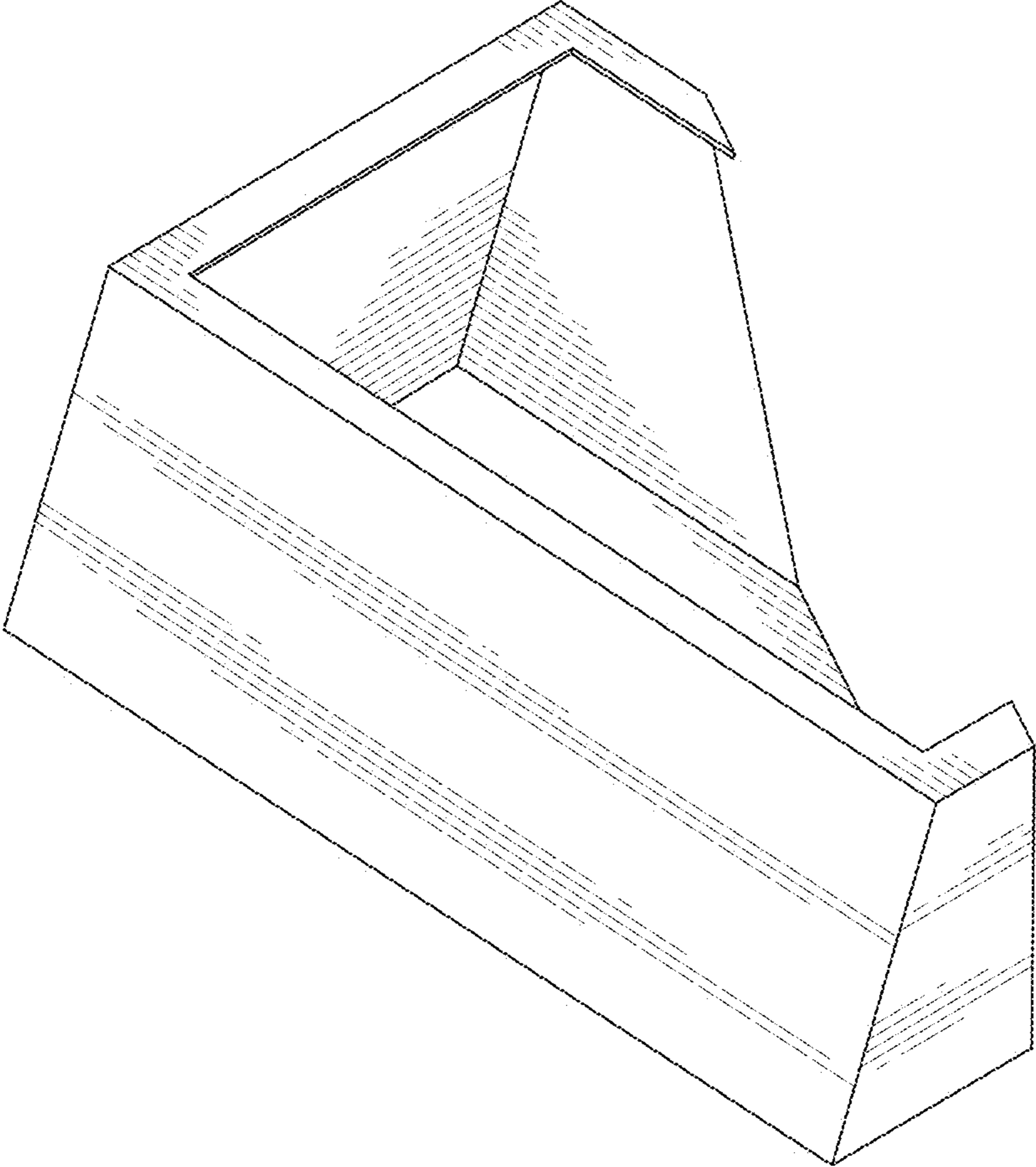


Fig. 7

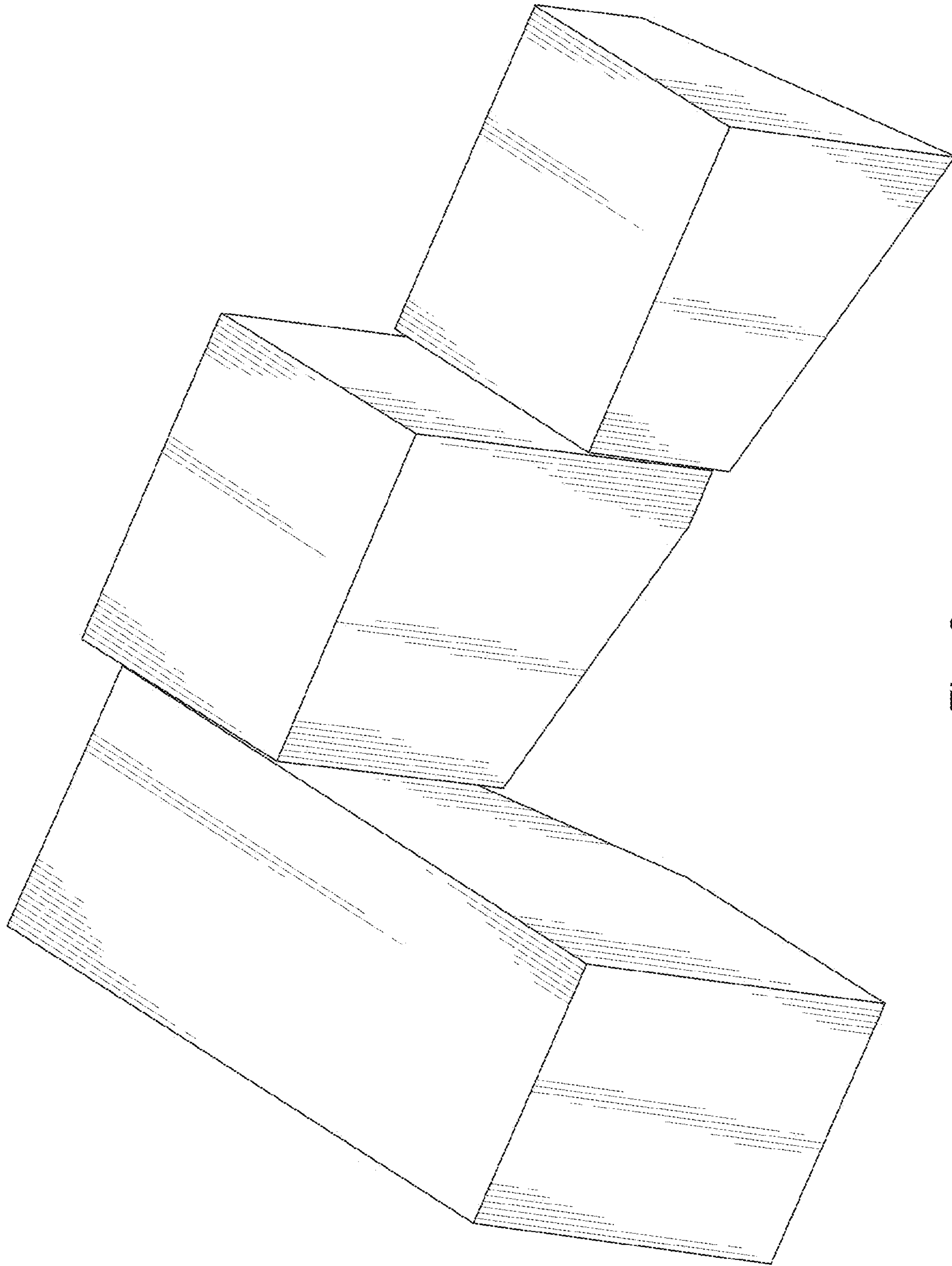


Fig. 8

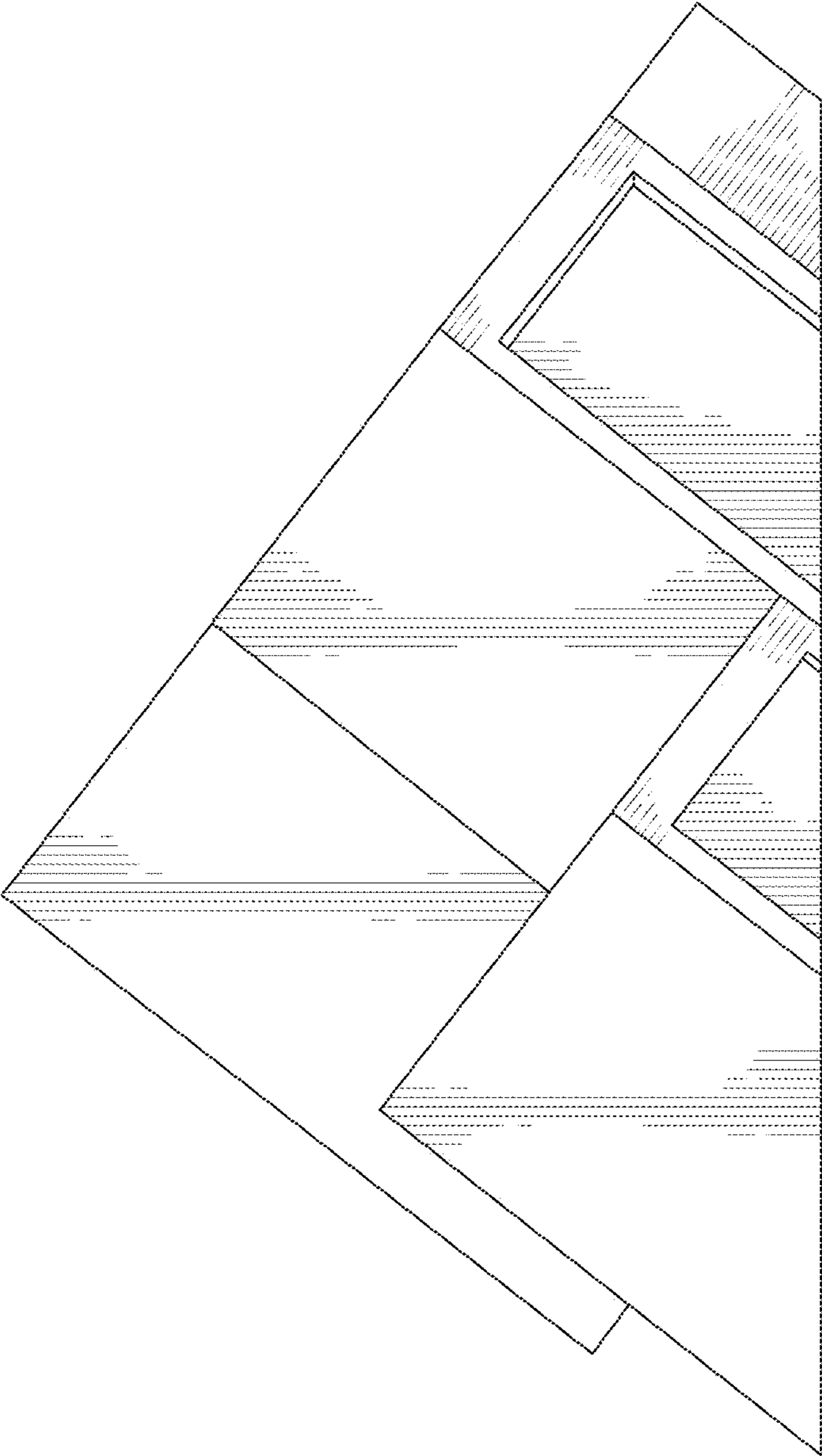


Fig. 9

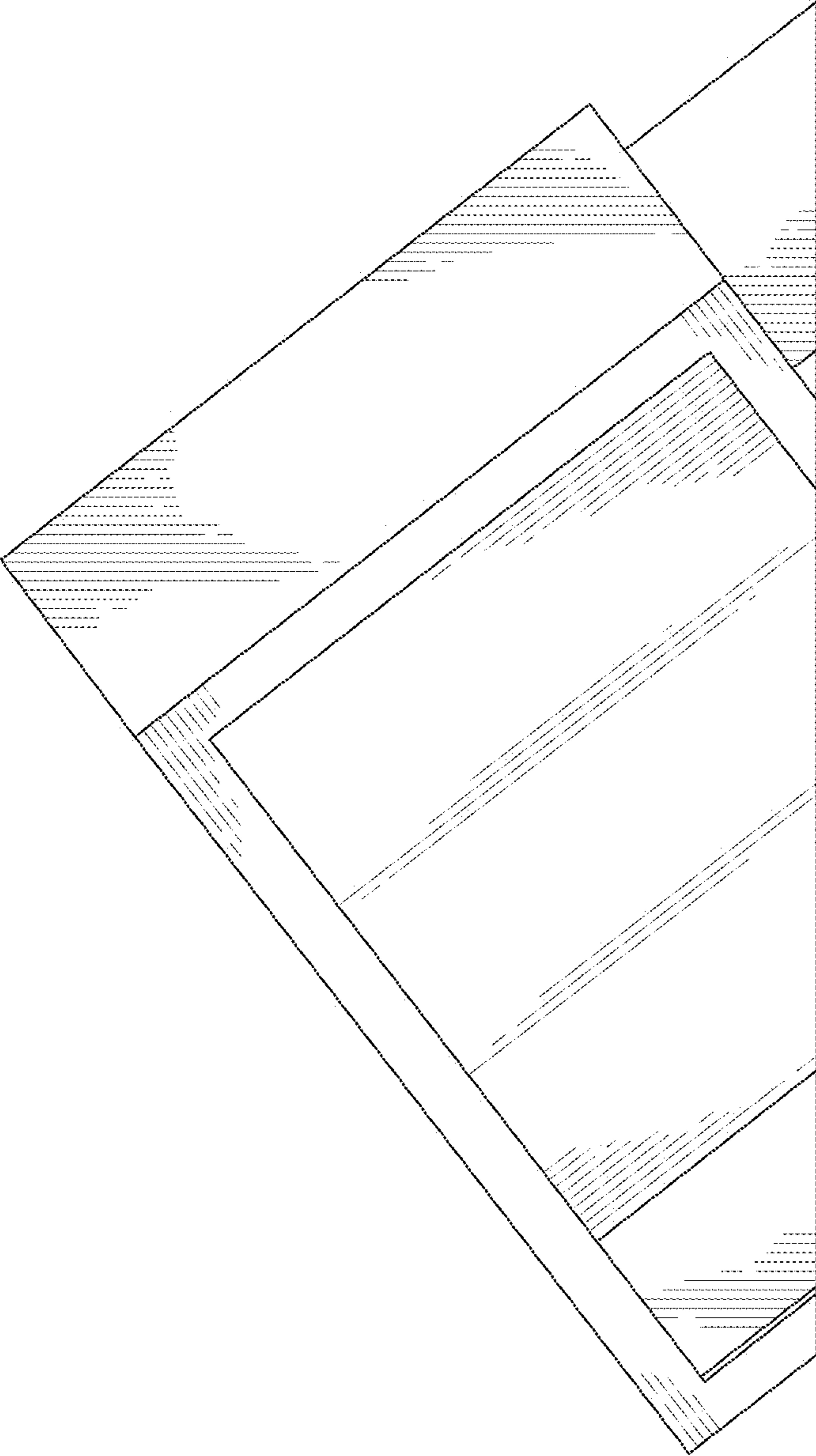


Fig. 10